

**TM-ZR300 31014010170A FRAME/SL,MANUAL,HOOK-IN**

PB0000023-02 SYSTEM (ZR300,DOMESTIC)  
ASSEMBLY

www.AutoEPC.com

ZR300, コクナイ  
ZR300, DOMESTIC

---

- 1      パワー テイク オフ & ポンプ  
POWER TAKE OFF & PUMP
- 2      フレーム ユニット  
FRAME UNIT
- 3      メイパン  
INDICATION PLATES
- 5      トクベツ ショウ (ユアツカンケイ)  
OPTIONS (HYDRAULIC-RELATED)
- 6      トクベツ ショウ (デンキカンケイ)  
OPTIONS (ELECTRICAL-RELATED)

注意：①適用製造番号によっては取り付けがないものもあります。

②オプションの部品選定時には「製品本体」をご確認して頂き、取り付けされている仕様を確認し、部品検索をお願い致します。

NOTE:①MACHINES OF SOME SERIAL NO. ARE NOT EQUIPPED WITH THESE PARTS.

②WHEN SELECTING OPTION PARTS, CHECK THE ACTUAL PRODUCT BEFOREHAND TO MAKE SURE THE SPEC OF THE INSTALLED PRODUCT, AND THEN SEARCH THE PARTS.

**TM-ZR300 31014010170A FRAME/SL,MANUAL,HOOK-IN**

Pos No.	Parts No	Parts Name	Qty	Unit	Technical Data	Serial
1	(***** )	POWER TAKE OFF & PUMP	1			
2	(***** )	FRAME UNIT	1			
3	(***** )	INDICATION PLATES	1			
5	(***** )	OPTIONS (HYDRAULIC-RELATED,SL)	1			
6	(***** )	OPTIONS (ELECTRICAL-RELATED,SL)	1			

www.AutoEPC.com

# TM-ZR300 31014010170A FRAME/SL,MANUAL,HOOK-IN

PB1020002-00 POWER TAKE OFF ASSY (SELECTION)  
PB1020009-00 PUMP ASSY (SELECTION)  
PB1030015-02 POWER TAKE OFF  
PB1030036-01 POWER TAKE OFF  
PB1030066-02 POWER TAKE OFF  
PB1030091-01 POWER TAKE OFF  
PB1030093-01 POWER TAKE OFF  
PB1030103-04 POWER TAKE OFF  
PB1030104-01 POWER TAKE OFF  
PB1030111-00 POWER TAKE OFF  
PB1030112-00 POWER TAKE OFF  
PB1030114-03 POWER TAKE OFF  
PB1030115-00 POWER TAKE OFF  
PB1030118-02 POWER TAKE OFF  
PB1030122-01 POWER TAKE OFF  
PB1030125-01 POWER TAKE OFF  
PB1030127-01 POWER TAKE OFF  
PB1030128-01 POWER TAKE OFF  
PB1030135-02 POWER TAKE OFF  
PB1030136-02 POWER TAKE OFF  
PB1030137-02 POWER TAKE OFF  
PB1030138-01 POWER TAKE OFF  
PB1030142-02 POWER TAKE OFF  
PB1030145-02 POWER TAKE OFF  
PB1030146-01 POWER TAKE OFF  
PB1030147-02 POWER TAKE OFF  
PB1030157-01 POWER TAKE OFF  
PB1030159-01 POWER TAKE OFF  
PB1030175-01 POWER TAKE OFF  
PB1030186-02 POWER TAKE OFF  
PB1030189-02 POWER TAKE OFF  
PB1030208-01 POWER TAKE OFF  
PB1030213-00 POWER TAKE OFF  
PB1030233-00 POWER TAKE OFF  
PB1030234-00 POWER TAKE OFF  
PB1030235-00 POWER TAKE OFF  
PB1030237-00 POWER TAKE OFF  
PB1030239-00 POWER TAKE OFF  
PB1100099-00 PUMP, HYDRAULIC (LEFT, SPLINE 13)  
PB1130196-01 TANK, OIL (MOUNT)  
PB1130198-01 TANK, OIL  
PB1290011-00 STOPPER, ROTARY JOINT  
PB1300315-01 JOINT, ROTARY  
PB1300417-01 JOINT, ROTARY  
PB1300430-01 JOINT, ROTARY (RING ASSY, SLIP)  
PB1300527-00 JOINT, ROTARY  
PB1320271-00 VALVE, MANUAL CONTROL (POWER SUPPLY)  
PB1320313-00 VALVE, MANUAL CONTROL (SL, 1-BLOCK)  
PB1320314-01 VALVE, MANUAL CONTROL (SL, 2-BLOCK)  
PB1320315-01 VALVE, MANUAL CONTROL (R/O, 3-BLOCK)  
PB1320316-01 VALVE, MANUAL CONTROL (R/O, 4-BLOCK)  
PB1320514-01 VALVE, MANUAL CONTROL (NABCO)  
PB1320556-00 VALVE, MANUAL CONTROL (R/O, 2-BLOCK)  
PB1380052-00 POWER SUPPLY  
PB1380213-00 POWER SUPPLY (SERVICE PORT)  
PB1400298-03 PIPING, UPPER  
PB1410912-01 PIPING, LOWER (REPLACE FILTER)  
PB1410978-02 PIPING, LOWER (MAIN--R/J VALVE)  
PB1410979-01 PIPING, LOWER (MAIN--OPT. VALVE)  
PB1410994-01 PIPING, LOWER (REMOTE CONT. VALVE/NACHI)  
PB1410996-00 PIPING, LOWER (VALVE/NABCO)  
PB1411255-01 PIPING, LOWER (ACCEL. CYL.-1 BLOCK VALVE)  
PB1411832-00 PIPING, LOWER  
PB1411876-00 PIPING, LOWER (REMOTE CONT. VALVE/SANWA)  
PB2000050-00 POWER TAKE OFF & PUMP  
PC1010746-02 OUTRIGGER (LEFT, 4TON)  
PC1010747-02 OUTRIGGER (RIGHT, 4TON)  
PC1010748-02 OUTRIGGER (RIGHT, G-TYPE)  
PC1010749-02 OUTRIGGER (LEFT, G-TYPE)  
PC1011119-00 OUTRIGGER (FOR 4TON)  
PC1011120-01 OUTRIGGER (G-TYPE)  
PC1020003-00 OUTRIGGER, REAR (FRAME)  
PC1020038-01 OUTRIGGER, REAR (ROTARY)  
PC1020042-00 OUTRIGGER, REAR (ROTARY+3TX1, MANUAL)  
PC1020043-00 OUTRIGGER, REAR (ROTARY+4TX1, MANUAL)

# TM-ZR300 31014010170A FRAME/SL,MANUAL,HOOK-IN

PC1020044-00 OUTRIGGER,REAR (ROTARY+SP+3TX1,MANUAL)  
PC1020045-00 OUTRIGGER,REAR (ROTARY+SP+4TX1,MANUAL)  
PC1020046-01 OUTRIGGER,REAR (ROTARY,POWER PACKAGE)  
PC1020094-00 OUTRIGGER,REAR(ROTARY/POWER PACKAGE:WITH LOCK ASSY)  
PC1020095-01 OUTRIGGER,REAR (FRAME)  
PC1030214-03 CYLINDER,JACK (MIN=1440)  
PC1030301-02 CYLINDER,JACK (REAR OUTRIGGER)  
PC1100146-05 OPE.ASSY,OUTRIGGER  
PC1230021-03 PIPING,REAR JACK (2,ROTARY)  
PC1230022-00 PIPING,REAR JACK (1)  
PC1230028-00 PIPING,REAR JACK (ROTARY 1,WITH POWER/S)  
PC1230061-00 PIPING,REAR JACK (1)  
PC5410006-03 CONTROL UNIT  
PC6390046-01 CYLINDER ASSY,JACK  
PC6390047-01 CYLINDER ASSY,JACK  
PD1010133-00 REDUCER,SWING SPEED  
PD1010154-01 REDUCER,SWING SPEED (MOUNT)  
PE1010348-03 CYLINDER,ELEVATING  
PE5020101-00 ELEC.ASSY (AWL LAMP)  
PE5020102-00 ELEC.ASSY  
PF1010131-01 WINCH (DRUM FREE,OPTION)  
PF1010133-01 WINCH (DRUM FREE)  
PF1010167-01 WINCH (HARTYS)  
PF1010207-00 WINCH (HARTYS)  
PF1010229-01 WINCH (Y.G.TEC)  
PF1010237-01 WINCH (OOKUBO)  
PF1010242-01 WINCH (YG.TEC)  
PF1010307-00 WINCH (SELF,3TONX1, MANUAL)  
PF1010316-00 WINCH (SELF,4TONX1, MANUAL)  
PF1010317-01 WINCH (SELF,3TONX1, RADIO CONTROL)  
PF1010318-01 WINCH (SELF,4TONX1, RADIO CONTROL)  
PF1010319-00 WINCH (SELF,SP+3TON X1,MANUAL)  
PF1010321-00 WINCH (SELF,SP+4TON X1,MANUAL)  
PF1010322-00 WINCH (SELF,3TONX1, F-RADIO CONTROL)  
PF1010323-00 WINCH (SELF,4TONX1, F-RADIO CONTROL)  
PF1010361-00 WINCH (DRUM FREE)  
PF1010363-00 WINCH (SELF)  
PF1020004-01 DRUM,WINCH  
PF1020035-00 DRUM,WINCH  
PF1050063-01 HOOK (DRUM FREE,OPTION)  
PF1050126-01 HOOK  
PF1050161-03 HOOK (1-PART LINE ,OPTION)  
PF1050337-00 HOOK (SELF, 4TONX1-PART LINE)  
PF1050338-01 HOOK (SELF, 3TONX1-PART LINE)  
PF1050342-01 HOOK (SELF, 3TONX2-PART LINE)  
PF1050447-00 HOOK  
PF1050464-00 HOOK (1-PART LINE)  
PF1050540-02 HOOK (5TON)  
PF1160066-02 OPE.ASSY,CLUTCH (SL WINCH,RADIO CONTROL)  
PF1160067-00 OPE.ASSY,CLUTCH (SELF WINCH,MANUAL)  
PF1180062-01 DETECTOR,DISORDERLY WIND (DRUM FREE)  
PF1200274-00 PIPING,WINCH (DRUM FREE,OPTION)  
PF1200304-02 PIPING,WINCH (3TON SELF,RADIO CONTROL)  
PF1200305-02 PIPING,WINCH (4TON SELF,RADIO CONTROL)  
PF1200306-02 PIPING,WINCH (SELF,MANUAL)  
PF1400303-03 MOUNT,WINCH  
PF1400322-00 MOUNT,WINCH (3T SELF)  
PF1400323-00 MOUNT,WINCH (4T SELF)  
PF5100218-00 FRAME ASSY (WITHOUT LOCK ASSY)  
PF5100219-00 FRAME ASSY (WITH LOCK ASSY)  
PG1020003-04 GUIDE,ROPE (RETAINING WIRE ROPE,1-PART)  
PG1020004-00 GUIDE,ROPE (RETAINING WIRE ROPE)  
PG1130134-00 DETECTOR,BOOM LENGTH  
PG1130135-00 DETECTOR,BOOM LENGTH  
PG1130144-00 DETECTOR,BOOM LENGTH (MOUNT)  
PG1130145-00 DETECTOR,BOOM LENGTH (MOUNT)  
PH1060327-00 DETECTOR,OVER WINDING (RETAINING WIRE RO  
PH1060338-00 DETECTOR,OVER WINDING  
PH1250066-00 MOMENT LIMITER (BML)  
PH1250115-00 MOMENT LIMITER (BML)  
PH5031464-00 HARNESS  
PH5031732-00 HARNESS  
PI1010085-01 MOTOR,HYDRAULIC  
PI1010088-01 MOTOR,HYDRAULIC (SWING)  
PI1010117-00 MOTOR,HYDRAULIC

# TM-ZR300 31014010170A FRAME/SL,MANUAL,HOOK-IN

PI1010152-00 MOTOR, HYDRAULIC (WINCH)  
PI1010223-00 MOTOR, HYDRAULIC  
PI1120142-01 VALVE, SOLENOID  
PI1120241-00 VALVE, SOLENOID  
PI1160047-00 VALVE, FLOW CONTROL  
PI1250126-01 VALVE, COUNTERBALANCE  
PI1280051-00 VALVE, PILOT CHECK  
PI1280067-00 VALVE, PILOT CHECK  
PI1300061-02 FILTER, OIL (YAMASHIN)  
PI1440035-01 METER, LOAD (2.9TON KUSABA/ENG. & JAPANESE)  
PI1440036-01 METER, LOAD (2.9TON NAGANO/ENG. & JAPANESE)  
PJ3410034-01 LOCK ASSY  
PK1011162-00 FRAME  
PK1100453-00 SWING FRAME  
PK1330102-00 COVER (SWING BEARING)  
PK2000856-00 FRAME UNIT  
PL1010668-04 OPE. ASSY, CONT. VALVE  
PL1010669-03 OPE. ASSY, CONT. VALVE (POWER SUPPLY)  
PL1010805-04 OPE. ASSY, CONT. VALVE (CRANE)  
PL1010810-01 OPE. ASSY, CONT. VALVE (SL WINCH, MANUAL)  
PL1010811-01 OPE. ASSY, CONT. VALVE (SL WINCH, RADICON)  
PL1010813-00 OPE. ASSY, CONT. VALVE (R/J+SELF)  
PL1010815-03 OPE. ASSY, CONT. VALVE (RADIO CONTROL)  
PL1010904-00 OPE. ASSY, CONT. VALVE (SELF, F-RADIO CONT.)  
PL1011067-00 OPE. ASSY, CONT. VALVE  
PN1012300-03 ELEC. ASSY (DRUM FREE)  
PN1012301-06 ELEC. ASSY  
PN1012303-03 ELEC. ASSY  
PN1012323-01 ELEC. ASSY (R/O, ROTARY, POWER SUPPLY)  
PN1012343-02 ELEC. ASSY (LAMP, LOWER/FRAME)  
PN1012344-02 ELEC. ASSY (24V60W LAMP/MOUNT, POST)  
PN1012345-01 ELEC. ASSY (24V45W LAMP/MOUNT, BOOM)  
PN1012530-03 ELEC. ASSY (SL, F-RADIO CONTROL/SWITCH)  
PN1012531-03 ELEC. ASSY (SELF, S-RADIO CONTROL)  
PN1012644-00 ELEC. ASSY (SELF WINCH, RADIO CONTROL)  
PN1013075-00 ELEC. ASSY (SELF WINCH, F-RADIO CONTROL)  
PN1013753-00 ELEC. ASSY  
PN1013754-01 ELEC. ASSY (ANTENNA)  
PN1013757-01 ELEC. ASSY (HARNESS FOR STANDBY POWER)  
PN1013976-02 ELEC. ASSY (SWITCH COVER)  
PN1013979-01 ELEC. ASSY (UPPER)  
PN1014016-00 ELEC. ASSY  
PN1014222-03 ELEC. ASSY (KYOKUTO RADICON)  
PN1014341-00 ELEC. ASSY (CARRIER)  
PN1014342-00 ELEC. ASSY (CARRIER)  
PN1014685-02 ELEC. ASSY  
PN1080229-00 LAMP (MOUNT, POST/24V-60W)  
PN1080230-01 LAMP (MOUNT, BOOM/24V-45W)  
PN1140220-00 SWITCH ASSY (PLATING:NACC)  
PN1140221-00 SWITCH ASSY (GREEN:PANASONIC)  
PN1140222-00 SWITCH ASSY (PLATING:NACC)  
PN1140223-00 SWITCH ASSY (GREEN:PANASONIC)  
PN1140224-00 SWITCH ASSY (PLATING:NACC)  
PN1140225-00 SWITCH ASSY (GREEN:PANASONIC)  
PN1140226-00 SWITCH ASSY (PLATING:NACC)  
PN1140227-00 SWITCH ASSY (GREEN:PANASONIC)  
PN1140234-00 SWITCH ASSY (PLATING:NACC)  
PN1140235-00 SWITCH ASSY (GREEN:PANASONIC)  
PN1140239-00 SWITCH ASSY (WITH HARNESS, 2-SW)  
PN1350004-01 REEL, CORD  
PN5010195-00 NAME PLATE ASSY  
PN5010239-00 NAME PLATE ASSY  
PO1000151-00 INDICATION PLATES  
PO1012211-01 PLATE ASSY, NAME (POWER SUPPLY)  
PO1012473-02 PLATE ASSY, NAME (HOOK)  
PO1013037-02 PLATE ASSY, NAME (DRUM FREE)  
PO1013040-03 PLATE ASSY, NAME (1-PART LINE OPE.)  
PO1013041-01 PLATE ASSY, NAME (G)  
PO1013212-00 PLATE ASSY, NAME (ACC., CLUTCH, SL WINCH)  
PO1013319-00 PLATE ASSY, NAME (SL WINCH LEVER, MANUAL)  
PO1014307-00 PLATE ASSY, NAME  
PO1014437-01 PLATE ASSY, NAME (UPPER)  
PO1014584-01 PLATE ASSY, NAME (BOOM, ELEV. STOWING FAILURE)  
PO1014592-01 PLATE ASSY, NAME  
PO1014610-00 PLATE ASSY, NAME

# TM-ZR300 31014010170A FRAME/SL,MANUAL,HOOK-IN

PO1014635-00 PLATE ASSY,NAME  
PO1014739-00 PLATE ASSY,NAME  
PO1014748-00 PLATE ASSY,NAME (FOR FIXING AWL)  
PO1014749-00 PLATE ASSY,NAME (HOOK-IN/HOOK STOWING)  
PO1015086-01 PLATE ASSY,NAME  
PO1070684-00 PERFORMANCE DATA (ZR303SL/A)  
PO1070685-00 PERFORMANCE DATA (ZR303SL/B)  
PO1070686-00 PERFORMANCE DATA (ZR303SL/C)  
PO1070687-00 PERFORMANCE DATA (ZR304SL/A)  
PO1070688-00 PERFORMANCE DATA (ZR304SL/B)  
PO1070689-00 PERFORMANCE DATA (ZR304SL/C)  
PP5150011-00 PARTS ASSY,RADIO CONTROLLER (8CH)  
PR5130002-00 RING ASSY,SLIP  
PV1010092-00 REMOTE CONTROL (F,KIT/RCS-FC1)  
PV1020158-03 VALVE,REMOTE CONTROL  
PV1020231-03 VALVE,REMOTE CONTROL (NACHI)  
PV1020353-00 VALVE,REMOTE CONTROL  
PV1020381-00 VALVE,REMOTE CONTROL  
PV1030080-04 SWITCH BOX (RADIO CONTROL,LED TYPE)  
PV1030082-01 SWITCH BOX  
PV1030107-00 SWITCH BOX (SELF WINCH RADIO CONTROL)  
PV1040032-01 CONTROL BOX (SELF WINCH RADIO CONTROL)  
PV1040093-03 CONTROL UNIT  
PV1050012-00 CYLINDER,ACCELERATOR  
PV1050013-01 CYLINDER,ACCELERATOR  
PV1070295-01 RADIO CONTROL (LED)  
PV1070389-00 RADIO CONTROL (KYOKUTO:6CH)  
PV1070398-00 RADIO CONTROL (KIT:MITSUMI)  
PV1070456-00 RADIO CONTROL (F,KIT/RCS-FC1)  
PV1070458-00 RADIO CONTROL  
PV1090040-00 PARTS,AWL(2-4SECT./RADICON OR M,HOOK-IN)  
PV1090041-00 PARTS,AWL(5,6SECT./RADICON OR M,HOOK-IN)  
PV1250013-00 BOX,STOWING  
PV1300011-01 CABLE (ANTENNA 2M)  
PV1300018-00 CABLE (F-REMOTE CONTROL,20M)  
PV1400021-01 ANTENNA (FOR RADIO CONTROL)  
PV1400042-00 ANTENNA (FOR RADIO CONTROL)  
PW1050005-00 STOPPER,TIRE  
PW1050011-00 STOPPER,TIRE  
PW5060005-01 WINCH ASSY (Y.G.TEC)  
PX1940184-01 MOUNT (BOOM)  
PY1000468-00 OPTIONS (HYDRAULIC-RELATED,SL)  
PY1000470-00 OPTIONS (ELECTRICAL-RELATED,SL)  
PY1560010-01 ALARM SYSTEM ((OUTRIGGER HARNESS)  
PY1560011-00 ALARM SYSTEM (BOOM HARNESS)  
PY1560039-01 ALARM SYSTEM  
PY1560040-01 ALARM SYSTEM  
PY2340010-00 PLATE (500X500,H=90)  
PY2340011-00 PLATE (355X355,H=80)

- POWER TAKE OFF ASSY
- PTO ASSYの選定

指示番号 key No	CARRIER MAKER キャリア メーカー
1	MITSUBISHI ミツビシ
2	HINO ヒノ
3	ISUZU イズズ
4	NISSAN ニッサン

[NOTE]

- (1) SOME TYPES OF THE CARRIER ARE EQUIPPED WITH THE MANUFACTURER'S GENUINE POWER TAKE OFF.
- (2) POWER TAKE OFF FOR EXPORT IS SUPPLIED FROM THE CARRIER MANUFACTURE.

[注 意]

- (1) PTO ASSYは車種によってメーカー純正品があります。
- (2) 海外向けのPTO ASSYは、車両メーカー品です。



**TM-ZR300 31014010170A FRAME/SL,MANUAL,HOOK-IN**

Pos No.	Parts No	Parts Name	Qty	Unit	Technical Data	Serial No (Start)	Serial No (End)	
1	31792360000	POWER TAKE OFF	1					
	36400940000	POWER TAKE OFF	1					
	31790770000	POWER TAKE OFF	1					
	31791970000	POWER TAKE OFF	1					
	36400950000	POWER TAKE OFF	1					
	31792370000	POWER TAKE OFF	1					
	31792380000	POWER TAKE OFF	1					
	31791000000	POWER TAKE OFF	1					
	31790810000	POWER TAKE OFF	1					
	31790780000	POWER TAKE OFF	1					
	36401040000	POWER TAKE OFF	1					
	2	31792050000	POWER TAKE OFF	1				
		31792040000	POWER TAKE OFF	1				
		31791650000	POWER TAKE OFF	1				
		31791300000	POWER TAKE OFF	1				
		31790960000	POWER TAKE OFF	1				
		31790930000	POWER TAKE OFF	1				
		31790690000	POWER TAKE OFF	1				
		31790940000	POWER TAKE OFF	1				
31790920000		POWER TAKE OFF	1					
31791060000		POWER TAKE OFF	1					
31791140000		POWER TAKE OFF	1					
3	31790910000	POWER TAKE OFF	1					
	31792010000	POWER TAKE OFF	1					
	31791270000	POWER TAKE OFF	1					
	31791240000	POWER TAKE OFF	1					
	31790980000	POWER TAKE OFF	1					
4	31791020000	POWER TAKE OFF	1					
	31790830000	POWER TAKE OFF	1					
	31790750000	POWER TAKE OFF	1					
	31791950000	POWER TAKE OFF	1					
	31790840000	POWER TAKE OFF	1					
	31790740000	POWER TAKE OFF	1					
	31790850000	POWER TAKE OFF	1					

- PUMP ASSY
- ポンプASSYの選定

指示番号 key No	PUMP MODEL ポンプ型式番号	RUNNING DIRECTION 回転方向
1	SGP1-36D2H9-L580	COUNTERCLOCKWISE 左

[NOTE]

- (1) PUMP MODEL NOS. ARE PUNCHED ON PUMP NAMEPLATE.
- (2) THE PUMP RUNNING DIRECTION IS VIEWED FROM THE SHAFT TOWARD THE PUMP.

[注意]

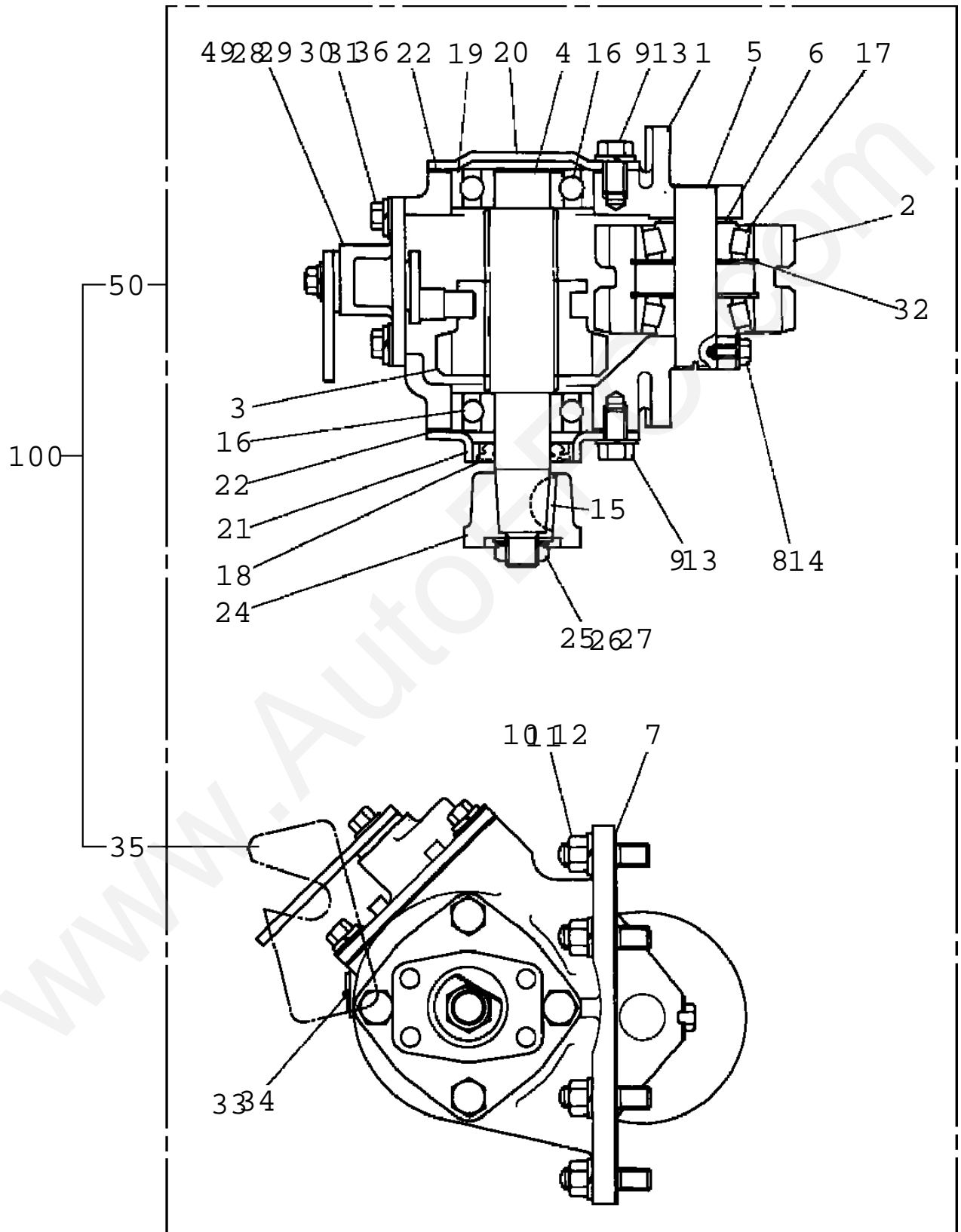
- (1) ポンプ型式番号はポンプ本体の銘板に打刻しています。
- (2) ポンプの回転方向はポンプの軸端から見ての回転方向です。

**TM-ZR300 31014010170A FRAME/SL,MANUAL,HOOK-IN**

Pos No.	Parts No	Parts Name	Qty	Unit	Technical Data	Serial
1	36652900000	PUMP, HYDRAULIC (LEFT, SPLINE 13)	1			

www.AutoEPC.com

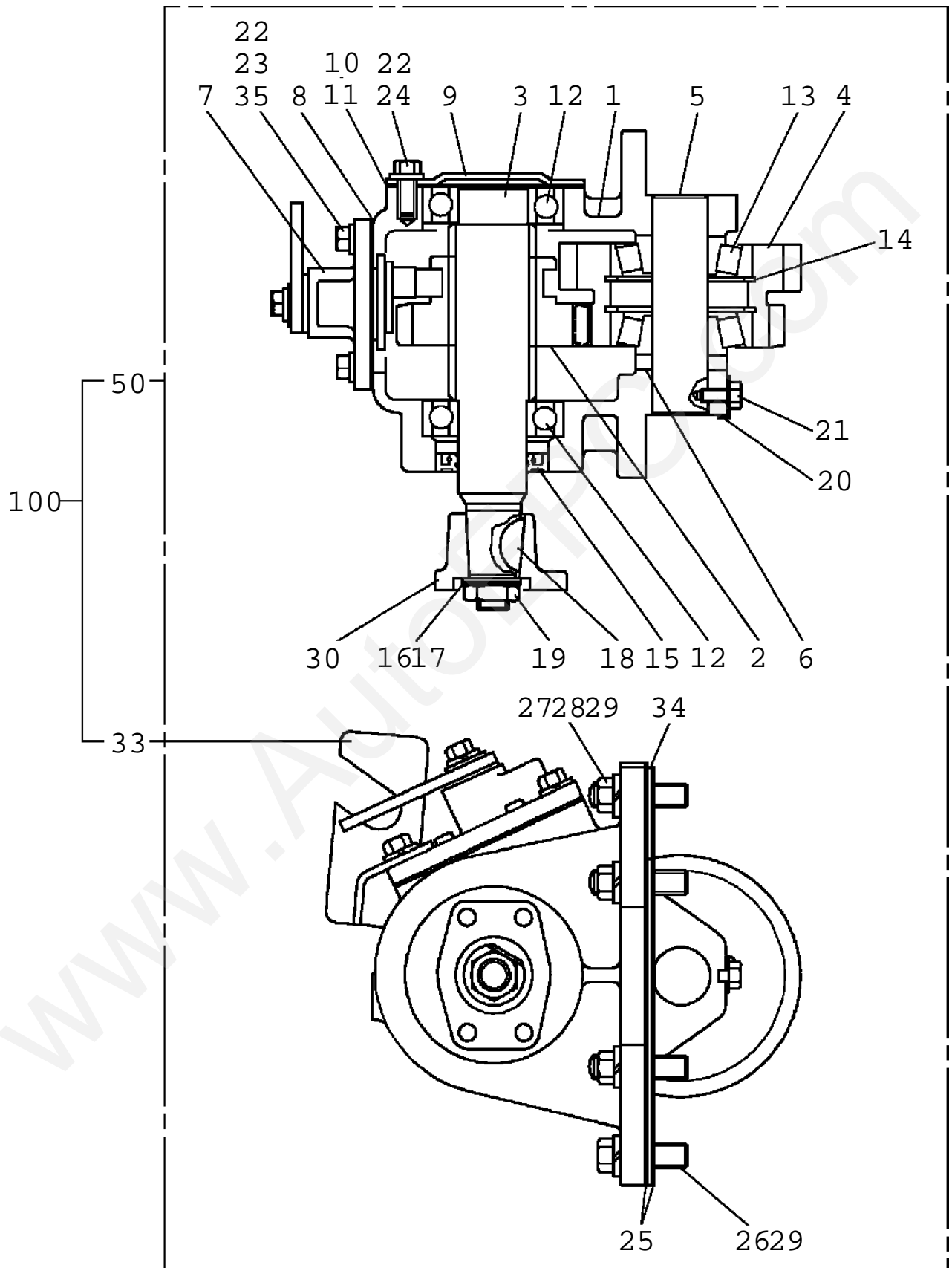
TM-ZR300 31014010170A FRAME/SL, MANUAL, HOOK-IN  
PB1030015-02 POWER TAKE OFF



**TM-ZR300 31014010170A FRAME/SL,MANUAL,HOOK-IN**

Pos No.	Parts No	Parts Name	Qty	Unit	Technical Data	Serial No (Start)	Serial No (End)
1	36400235010	CASE	1				
2	36400235020	GEAR	1				
3	36400235030	GEAR	1				
4	36400235040	SHAFT	1				
5	36400095040	SHAFT	1				
6	36400095050	COLLAR	1				
7	36400215080	PACKING (CASE)	1				
8	90101206012	BOLT	1		M6X12		
9	90191210016	BOLT	8		M10X16		
10	36400295010	BOLT	6				
11	90267201000	NUT	6		M10		
12	90302041001	WASHER,SPRING	14		10		
14	36400095130	WASHER	1				
15	36400135100	KEY	1				
16	80500006305	BEARING,BALL	2				
17	36400095120	BEARING	2				
18	91206025005	SEAL,OIL	1				
19	36400095090	SHIM	N				
20	36400235050	COVER (FRONT)	1				
21	36400235060	COVER (REAR)	1				
22	36400235070	PACKING	2				
24	36400135120	COUPLING	1				
25	36400135150	NUT	1		M4X1.5		
26	36400135090	WASHER	1				
27	36400135160	WASHER,PLAIN	1				
28	36400225110	SHIFTER SET	1				
29	36400095110	PACKING	1				
30	90191208020	BOLT	4		M8X20		
32	80602110520	RING,RITAINING	2		R52		
33	36400295020	PLATE,NAME	1				
35	31790670100	SUPPORT	1				
36	90191208025	BOLT	2		M8X25		
49	36400225160	SEAL,OIL	1				
50	36400290000	POWER TAKE OFF	1				
100	31790690000	POWER TAKE OFF	1				

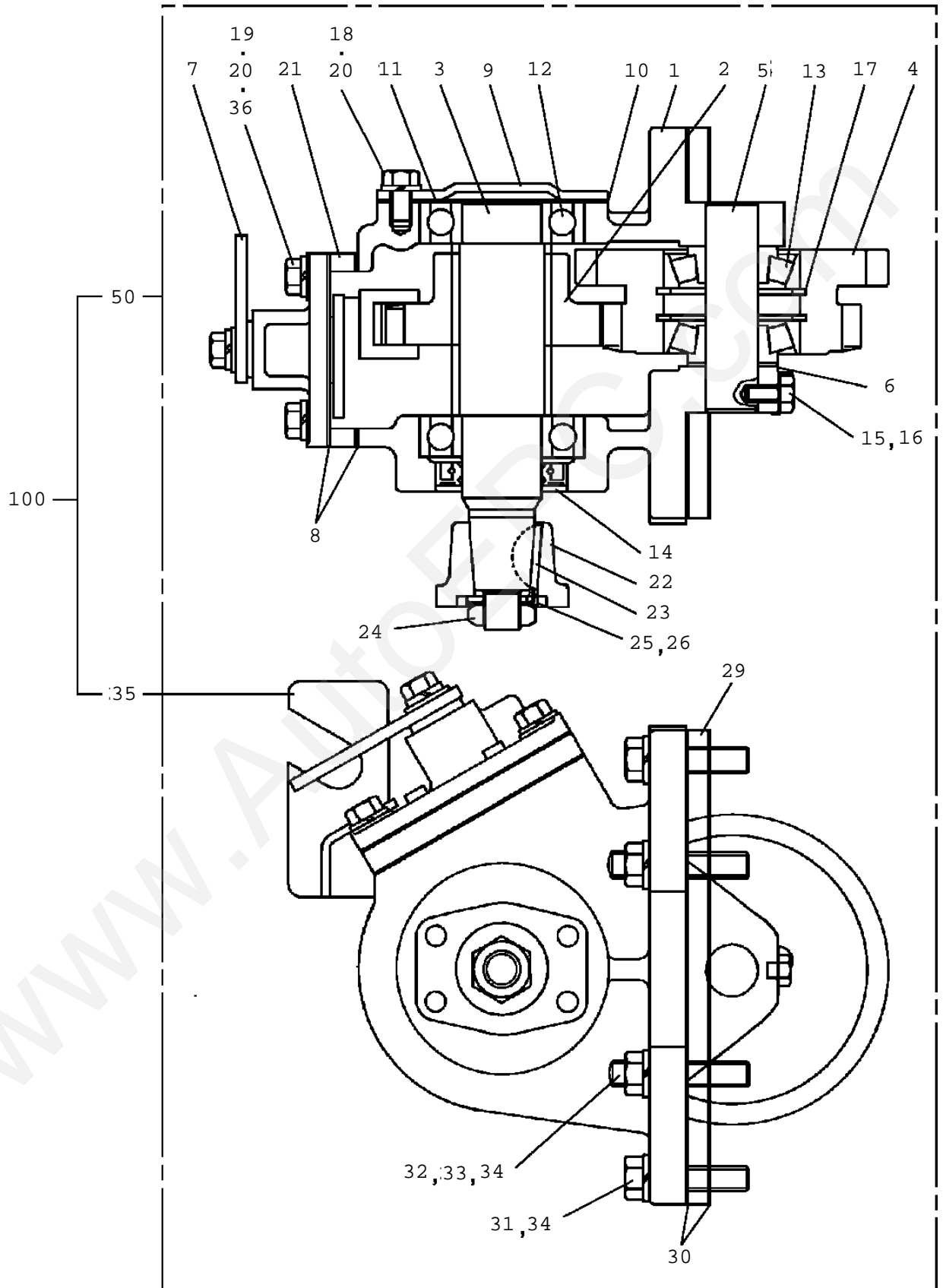
TM-ZR300 31014010170A FRAME/SL, MANUAL, HOOK-IN  
PB1030036-01 POWER TAKE OFF



**TM-ZR300 31014010170A FRAME/SL,MANUAL,HOOK-IN**

Pos No.	Parts No	Parts Name	Qty	Unit	Technical Data	Serial No (Start)	Ser
1	36400135010	CASE	1				
2	36400135020	GEAR	1				
3	36400135030	SHAFT	1				
4	36400135040	GEAR	1				
5	36400135050	SHAFT	1				
6	36400135060	COLLAR	1				
7	36400095100	SHIFTER ASSY	1				
8	36400095110	PACKING	1				
9	36400095070	COVER (BEARING)	1				
10	36400095080	PACKING (COVER)	1				
11	36400095090	SHIM	N				
12	80500006206	BEARING,BALL	2				
13	36400135070	BEARING	2				
14	80602110620	RING,RITAINING	2		R62		
15	91206030005	SEAL,OIL	1				
16	36400135160	WASHER,PLAIN	1				
17	36400135090	WASHER	1				
18	36400135100	KEY	1				
19	36400135150	NUT	1		M4X1.5		
20	36400135110	WASHER	1				
21	90101206012	BOLT	1		M6X12		
22	90302040801	WASHER,SPRING	7		8		
23	90191208020	BOLT	4		M8X20		
24	90191208015	BOLT	3		M8X15		
25	36400095140	PACKING (CASE)	2				
26	90191210030	BOLT	2		M10X30		
27	36400095150	BOLT,STUD	6		M10X1.25/1.5X43		
28	90267201000	NUT	6		M10		
29	90302041001	WASHER,SPRING	8		10		
30	36400135120	COUPLING	1				
33	31790670100	SUPPORT	1				
34	36400135140	SPACER	1				
35	90191208025	BOLT	2		M8X25		
50	36400130000	POWER TAKE OFF	1				
100	31791650000	POWER TAKE OFF	1				

TM-ZR300 31014010170A FRAME/SL, MANUAL, HOOK-IN  
PB1030066-02 POWER TAKE OFF

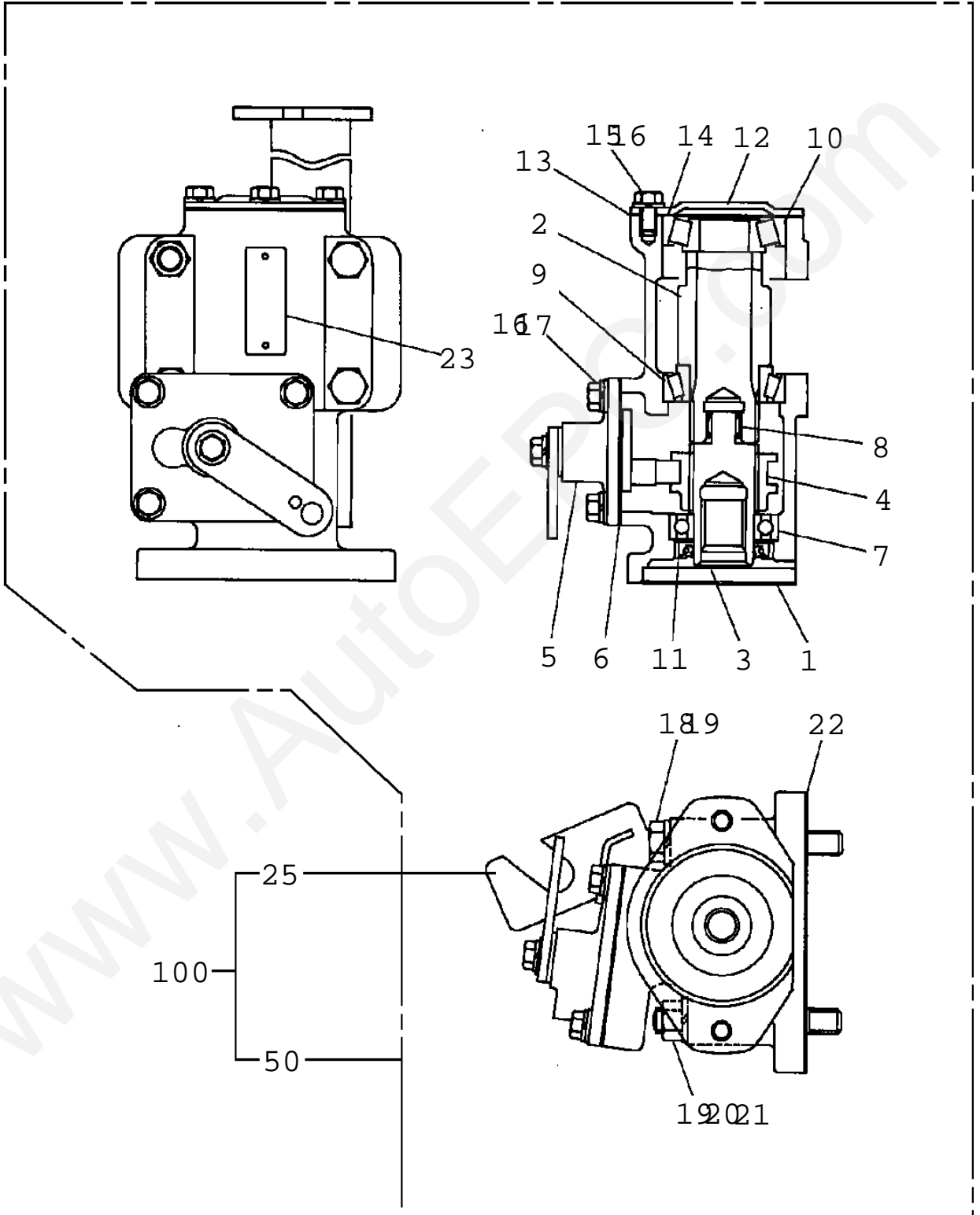




**TM-ZR300 31014010170A FRAME/SL, MANUAL, HOOK-IN**

Pos No.	Parts No	Parts Name	Qty	Unit	Technical Data	Serial No (Start)	Seri
1	36400355010	CASE	1				
2	36400495010	GEAR	1				
3	36400365010	SHAFT	1				
4	36400495020	GEAR	1				
5	36400095040	SHAFT	1				
6	36400095050	COLLAR	1				
7	36400285040	SHIFTER SET	1				
8	36400095110	PACKING	2				
9	36400095070	COVER (BEARING)	1				
10	36400095080	PACKING (COVER)	1				
11	36400095090	SHIM	N				
12	80500006206	BEARING,BALL	2				
13	36400095120	BEARING	2				
14	91206030005	SEAL,OIL	1				
15	36400095130	WASHER	1				
16	90101206012	BOLT	1		M6X12		
17	80602110520	RING,RITAINING	2		R52		
18	90191208014	BOLT	3		M8X14		
19	90191208030	BOLT	4		M8X30		
20	90302040801	WASHER,SPRING	7		8		
21	36400285080	SPACER	1				
22	36400135120	COUPLING	1				
23	36400135100	KEY	1				
24	36400135150	NUT	1		M4X1.5		
25	36400135160	WASHER,PLAIN	1				
26	36400135090	WASHER	1				
29	36400345010	SPACER	1				
30	36400335030	SHIM	N				
31	90191210040	BOLT	4		M10X40		
32	36400285060	BOLT	4				
33	90267201000	NUT	4		M10		
34	90302041001	WASHER,SPRING	8		10		
35	31790680100	SUPPORT	1				
36	90191208035	BOLT	2		M8X35		
50	36400500000	POWER TAKE OFF	1				
100	31791300000	POWER TAKE OFF	1				

TM-ZR300 31014010170A FRAME/SL, MANUAL, HOOK-IN  
PB1030091-01 POWER TAKE OFF

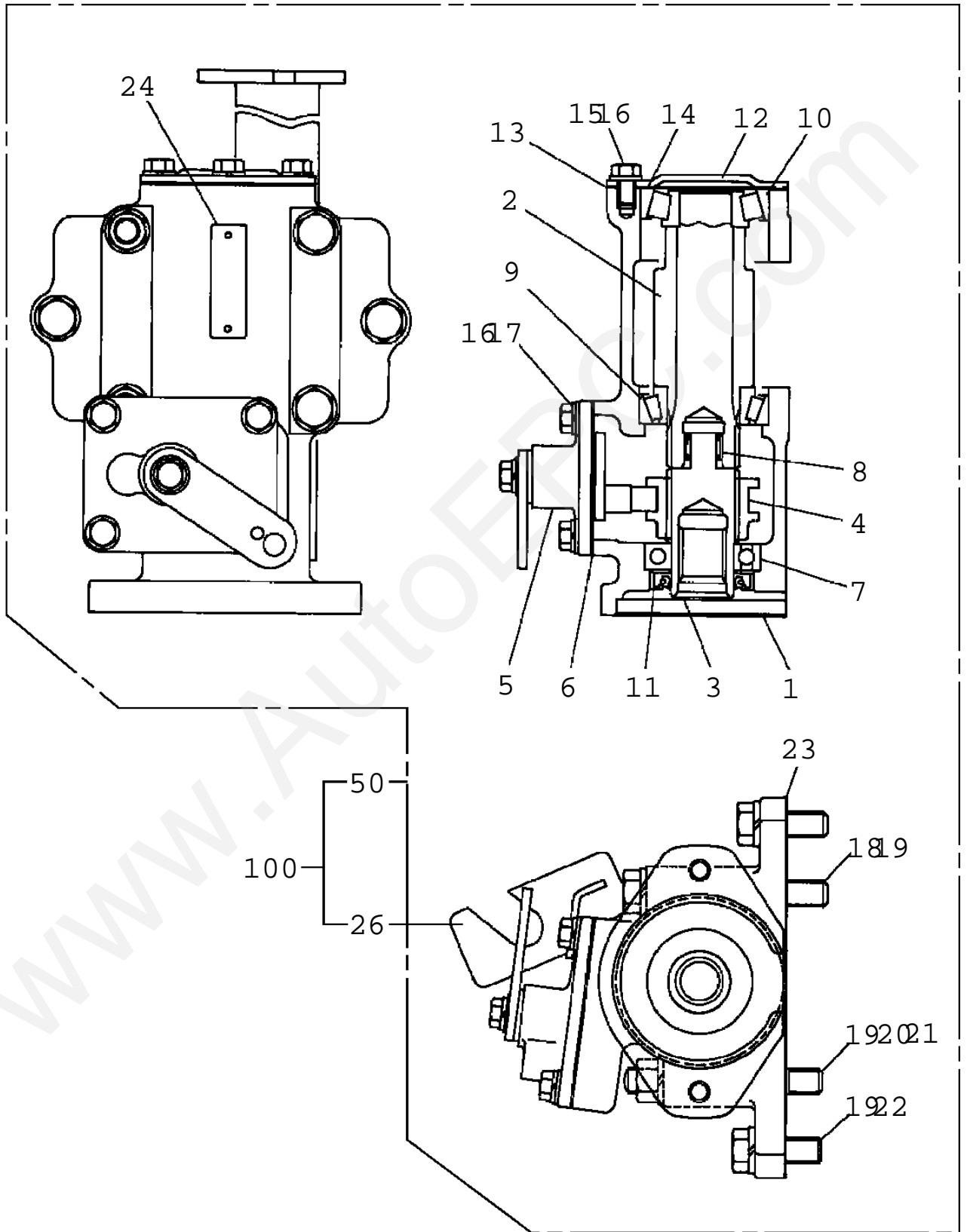


**TM-ZR300 31014010170A FRAME/SL,MANUAL,HOOK-IN**

Pos No.	Parts No	Parts Name	Qty	Unit	Technical Data	Serial No (Start)	Seri
1	36400785010	CASE	1				
2	36400765020	GEAR	1				
3	36400775010	SHAFT	1				
4	36400765040	SLEEVE	1				
5	36400095100	SHIFTER ASSY	1				
6	36400095110	PACKING	1				
7	80500006006	BEARING,BALL	1				
8	36400765050	BEARING,NEEDLE	1				
9	36400765060	BEARING	1				
10	36400765070	BEARING	1				
11	91206030005	SEAL,OIL	1				
12	36400095070	COVER (BEARING)	1				
13	36400095080	PACKING (COVER)	1				
14	36400095090	SHIM	N				
15	90191208014	BOLT	3		M8X14		
16	90302040801	WASHER,SPRING	7		8		
17	90191208020	BOLT	4		M8X20		
18	90193512090	BOLT	2				
19	90302041201	WASHER,SPRING	4		12		
20	36400785020	BOLT,STUD	2				
21	90267401200	NUT	2				
22	36400765110	PACKING (CASE)	1				
23	36400795010	PLATE,NAME	1				
25	31790680100	SUPPORT	1				
50	36400790000	POWER TAKE OFF	1				
100	31790740000	POWER TAKE OFF	1				

www.AutoEPC.com

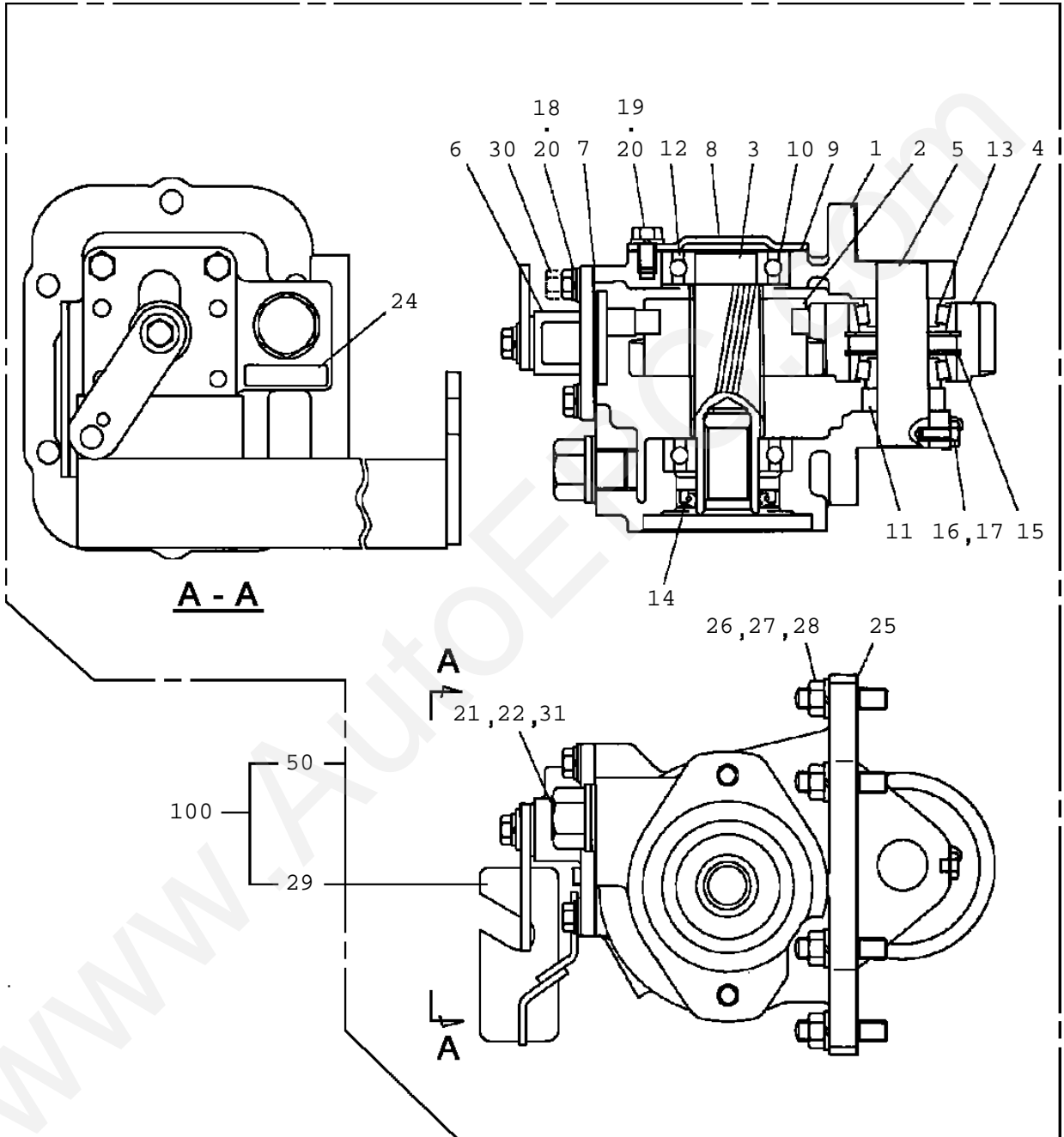
TM-ZR300 31014010170A FRAME/SL, MANUAL, HOOK-IN  
PB1030093-01 POWER TAKE OFF



**TM-ZR300 31014010170A FRAME/SL,MANUAL,HOOK-IN**

Pos No.	Parts No	Parts Name	Qty	Unit	Technical Data	Serial No (Start)	Seri
1	36400805010	CASE	1				
2	36400805020	GEAR	1				
3	36400775010	SHAFT	1				
4	36400765040	SLEEVE	1				
5	36400095101	SHIFTER ASSY	1				
6	36400095110	PACKING	1				
7	80500006006	BEARING,BALL	1				
8	36400765050	BEARING,NEEDLE	1				
9	36400765060	BEARING	1				
10	36400765070	BEARING	1				
11	91206030005	SEAL,OIL	1				
12	36400095070	COVER (BEARING)	1				
13	36400095080	PACKING (COVER)	1				
14	36400095090	SHIM	N				
15	90191208014	BOLT	3		M8X14		
16	90302040801	WASHER,SPRING	7		8		
17	90191208020	BOLT	4		M8X20		
18	90193512090	BOLT	2				
19	90302041201	WASHER,SPRING	6		12		
20	36400785020	BOLT,STUD	2				
21	90264201200	NUT	2		M12		
22	90193512035	BOLT	2		M12X35		
23	36400435090	PACKING (CASE)	1				
24	36400805030	PLATE,NAME	1				
26	31790750100	SUPPORT	1				
50	36400810000	POWER TAKE OFF	1				
100	31790750000	POWER TAKE OFF	1				

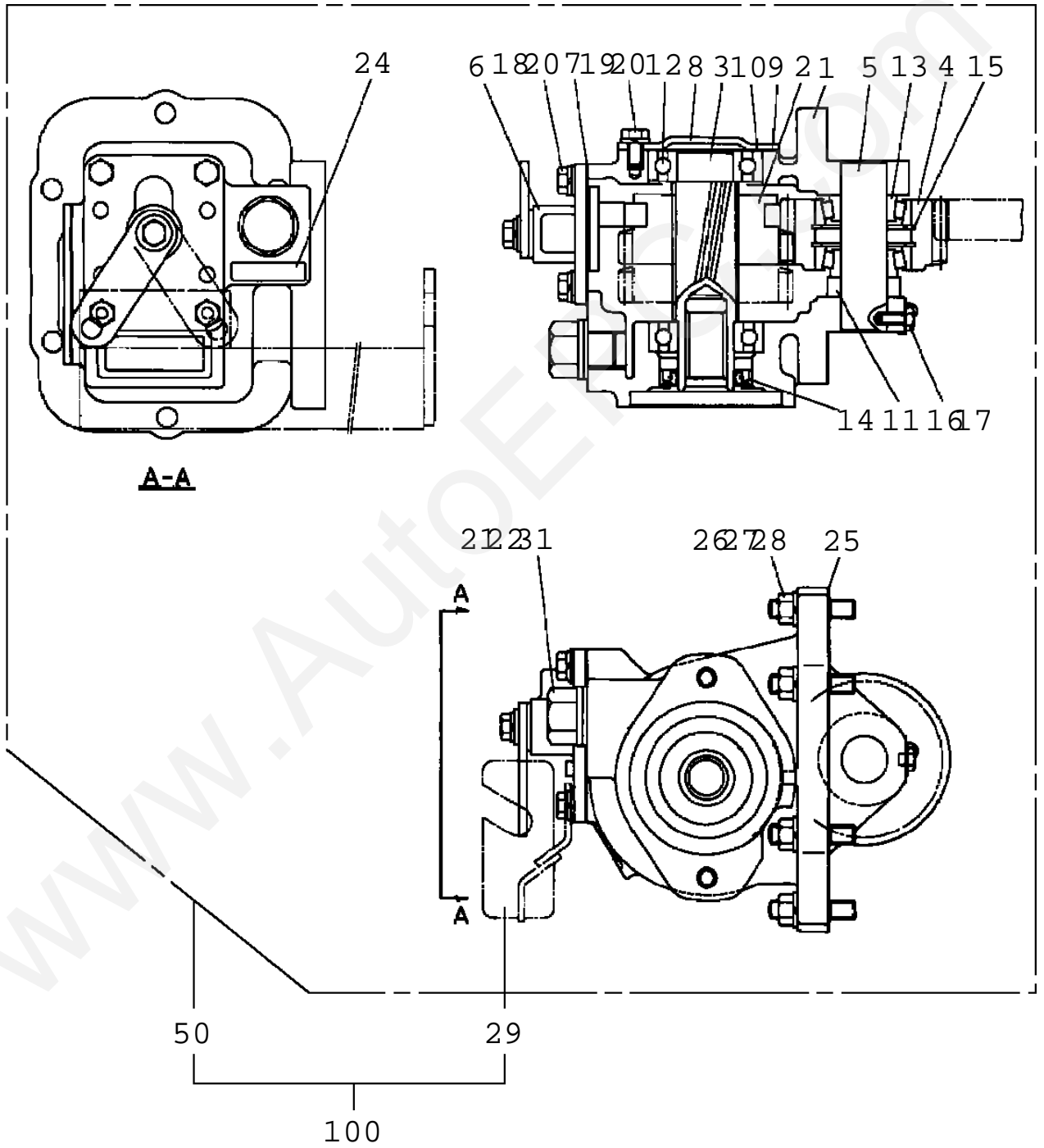
TM-ZR300 31014010170A FRAME/SL, MANUAL, HOOK-IN  
PB1030103-04 POWER TAKE OFF



**TM-ZR300 31014010170A FRAME/SL, MANUAL, HOOK-IN**

Pos No.	Parts No	Parts Name	Qty	Unit	Technical Data	Serial No (Start)	Se
1	36400845060	CASE	1				
2	36400845020	GEAR	1				
3	36400845030	SHAFT	1				
4	36400845040	GEAR	1				
5	36400395050	SHAFT	1				
6	36400095100	SHIFTER ASSY	1				
7	36400095110	PACKING	1				
8	36400095070	COVER (BEARING)	1				
9	36400095080	PACKING (COVER)	1				
10	36400095090	SHIM	1				
11	36400675030	COLLAR	1				
12	80500006206	BEARING,BALL	2				
13	36400675050	BEARING	2				
14	91206030005	SEAL,OIL	1				
15	80602110520	RING,RITAINING	2		R52		
16	36400095130	WASHER	1				
17	90101206015	BOLT	1		M6X15		
18	90191208020	BOLT	4		M8X20		
19	90191208014	BOLT	3		M8X14		
20	90302040801	WASHER,SPRING	7		8		
21	36401025060	PLUG	1				
22	36401025070	WASHER,PLAIN	1				
24	36401025090	PLATE,NAME	1				
25	36401025100	PACKING	1				
26	36400095150	BOLT,STUD	6		M10X1.25/1.5X43		
27	90267201000	NUT	6		M10		
28	90302041001	WASHER,SPRING	6		10		
29	31790770100	SUPPORT	1				
30	90191208025	BOLT	2		M8X25		
31	36401025120	NUT (REINFORCER)	1				
50	36400840000	POWER TAKE OFF	1				
100	31790770000	POWER TAKE OFF	1				

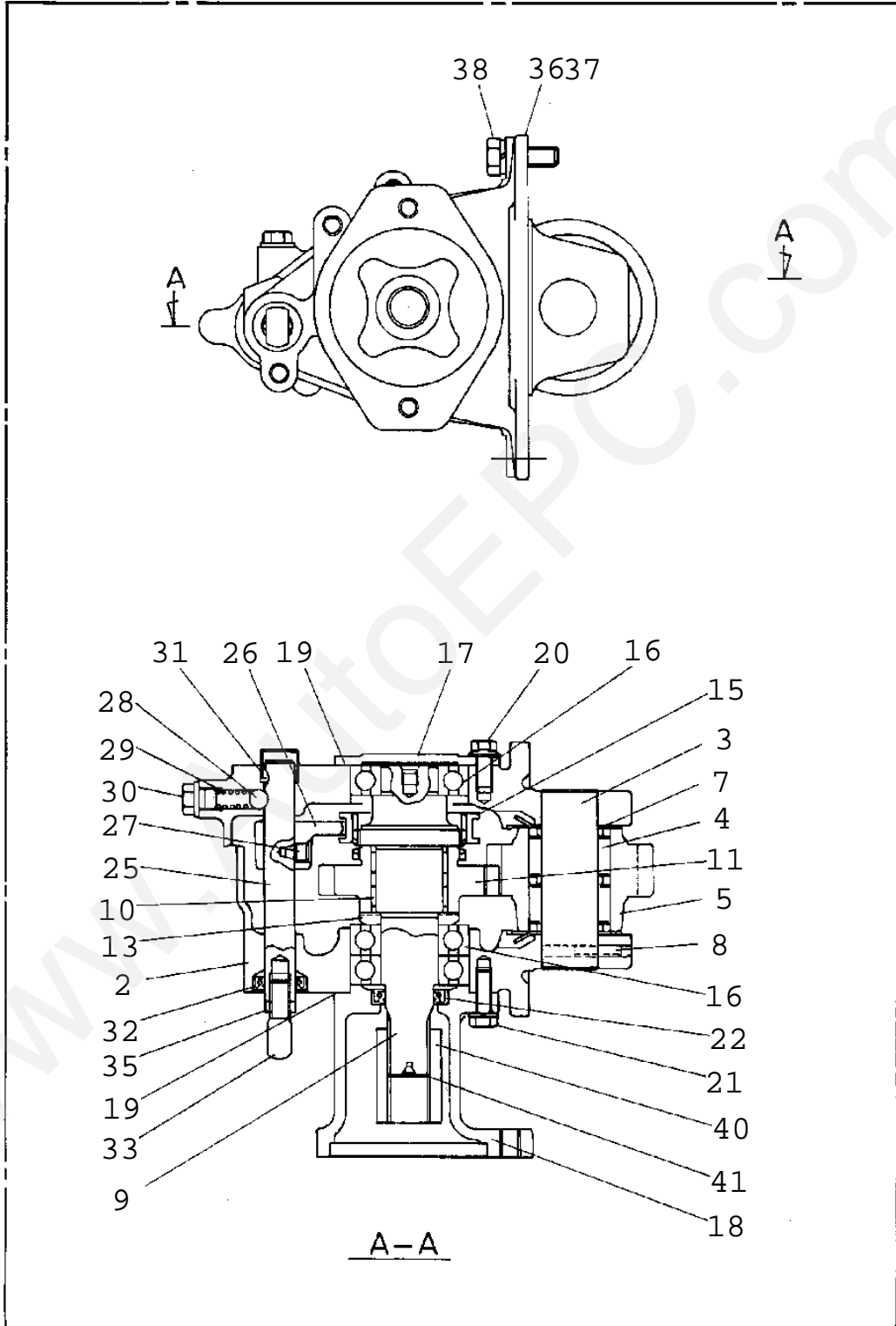
TM-ZR300 31014010170A FRAME/SL, MANUAL, HOOK-IN  
PB1030104-01 POWER TAKE OFF





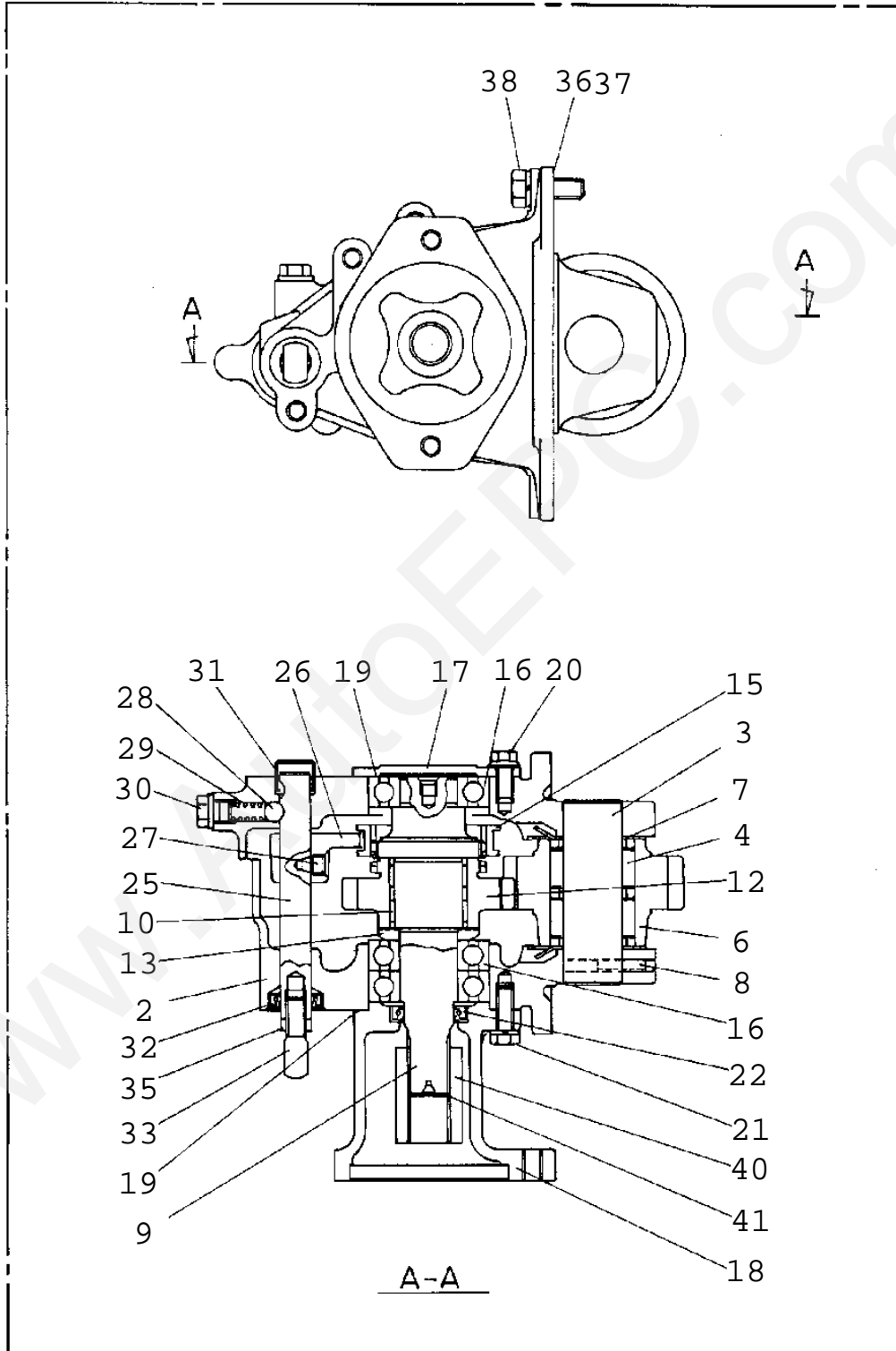
**TM-ZR300 31014010170A FRAME/SL, MANUAL, HOOK-IN**

Pos No.	Parts No	Parts Name	Qty	Unit	Technical Data	Serial No (Start)	Se
1	36400855030	CASE	1				
2	36400845020	GEAR	1				
3	36400845030	SHAFT	1				
4	36400845040	GEAR	1				
5	36400395050	SHAFT	1				
6	36400095100	SHIFTER ASSY	1				
7	36400095110	PACKING	1				
8	36400095070	COVER (BEARING)	1				
9	36400095080	PACKING (COVER)	1				
10	36400095090	SHIM	1				
11	36400675030	COLLAR	1				
12	80500006206	BEARING,BALL	2				
13	36400675050	BEARING	2				
14	91206030005	SEAL,OIL	1				
15	80602110520	RING,RITAINING	2		R52		
16	36400095130	WASHER	1				
17	90101206015	BOLT	1		M6X15		
18	90191208020	BOLT	4		M8X20		
19	90191208014	BOLT	3		M8X14		
20	90302040801	WASHER,SPRING	7		8		
21	36401025060	PLUG	1				
22	36401025070	WASHER,PLAIN	1				
24	36401025090	PLATE,NAME	1				
25	36401025100	PACKING	1				
26	36401695040	BOLT,STUD	6		M10X1.25/1.5X47		
27	90267201000	NUT	6		M10		
28	90302041001	WASHER,SPRING	6		10		
29	31790770100	SUPPORT	1				
31	36401025120	NUT (REINFORCER)	1				
50	36400850000	POWER TAKE OFF	1				
100	31790780000	POWER TAKE OFF	1				



**TM-ZR300 31014010170A FRAME/SL, MANUAL, HOOK-IN**

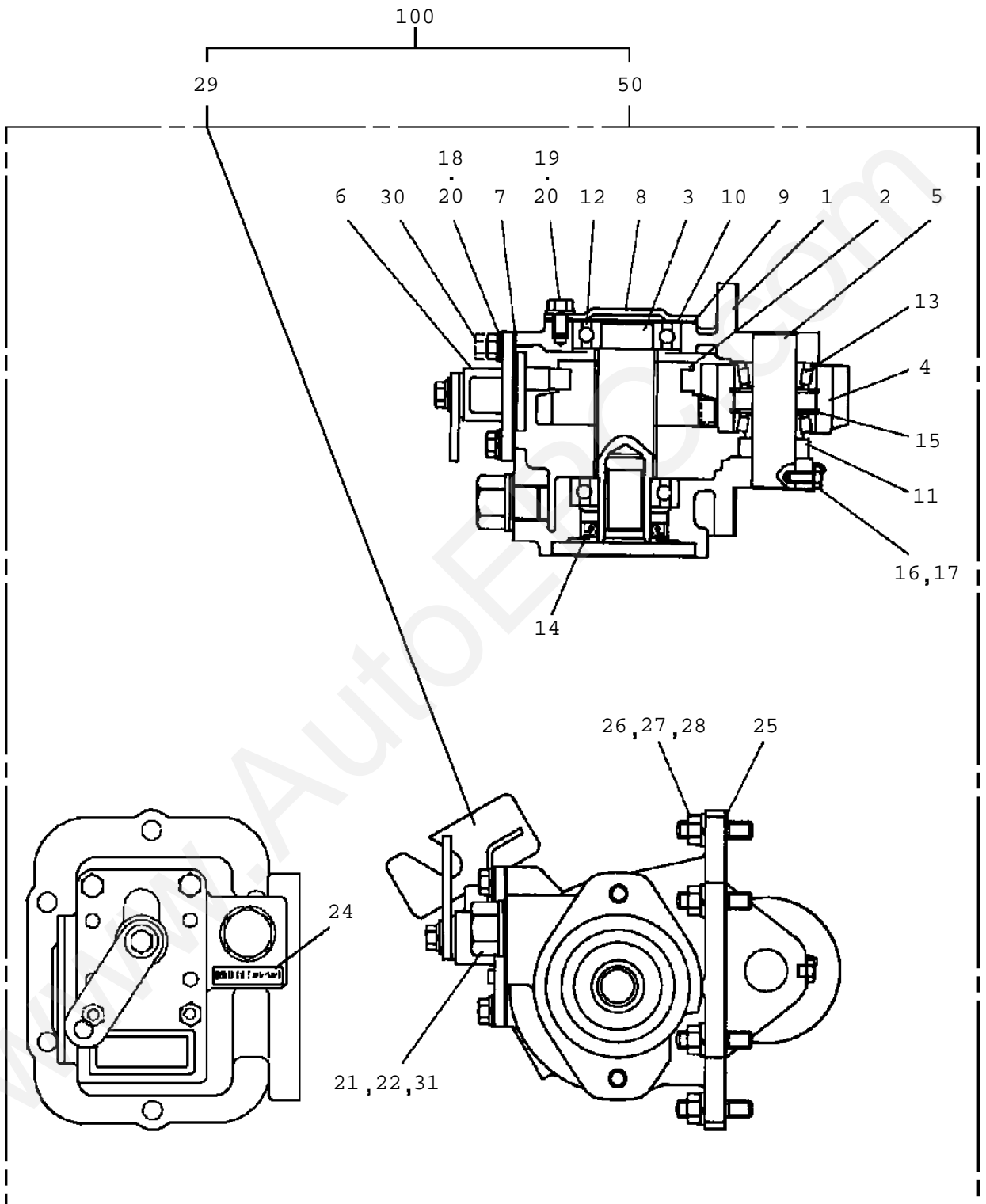
Pos No.	Parts No	Parts Name	Qty	Unit	Technical Data	Serial No (Start
2	36400956010	CASE (P.T.O)	1			
3	51630103020	SHAFT (POWER TAKE OFF)	1			
4	51630103030	BEARING, NEEDLE	1			
5	36400945010	GEAR	1			
7	51630103050	WASHER	2			
8	51630103060	PIN, SPRING	1			
9	36400955020	SHAFT (OUTPUT)	1			
10	51630103080	BEARING, NEEDLE	2			
11	51630104020	GEAR	1			
13	51630103100	WASHER	1			
15	51630103110	SLEEVE	1			
16	80500006206	BEARING, BALL	3			
17	52630106230	COVER (FRONT)	1			
18	36400955030	ADAPTER	1			
19	51630103140	GASKET	2			
20	51630103150	BOLT	4			
21	36400956020	BOLT	4		M8X1.25X30	
22	36400955050	SEAL, OIL	1			
25	51630103170	SHAFT	1			
26	51630103180	FORK	1			
27	51630103190	BOLT	1			
29	36400956030	PIN	1			
30	51630103200	PLUG	1			
31	51630103210	PLUG	1			
32	51630103220	SEAL, OIL	1			
33	51630103230	BOLT	1			
35	51630103240	NUT	1			
36	51630103250	GASKET	1			
37	51630103260	GASKET	1			
38	36400315040	BOLT	6			
40	36400955060	COUPLING	1			
41	36400955070	RING, STOP	1			
50	36400940000	POWER TAKE OFF	1			



**TM-ZR300 31014010170A FRAME/SL, MANUAL, HOOK-IN**

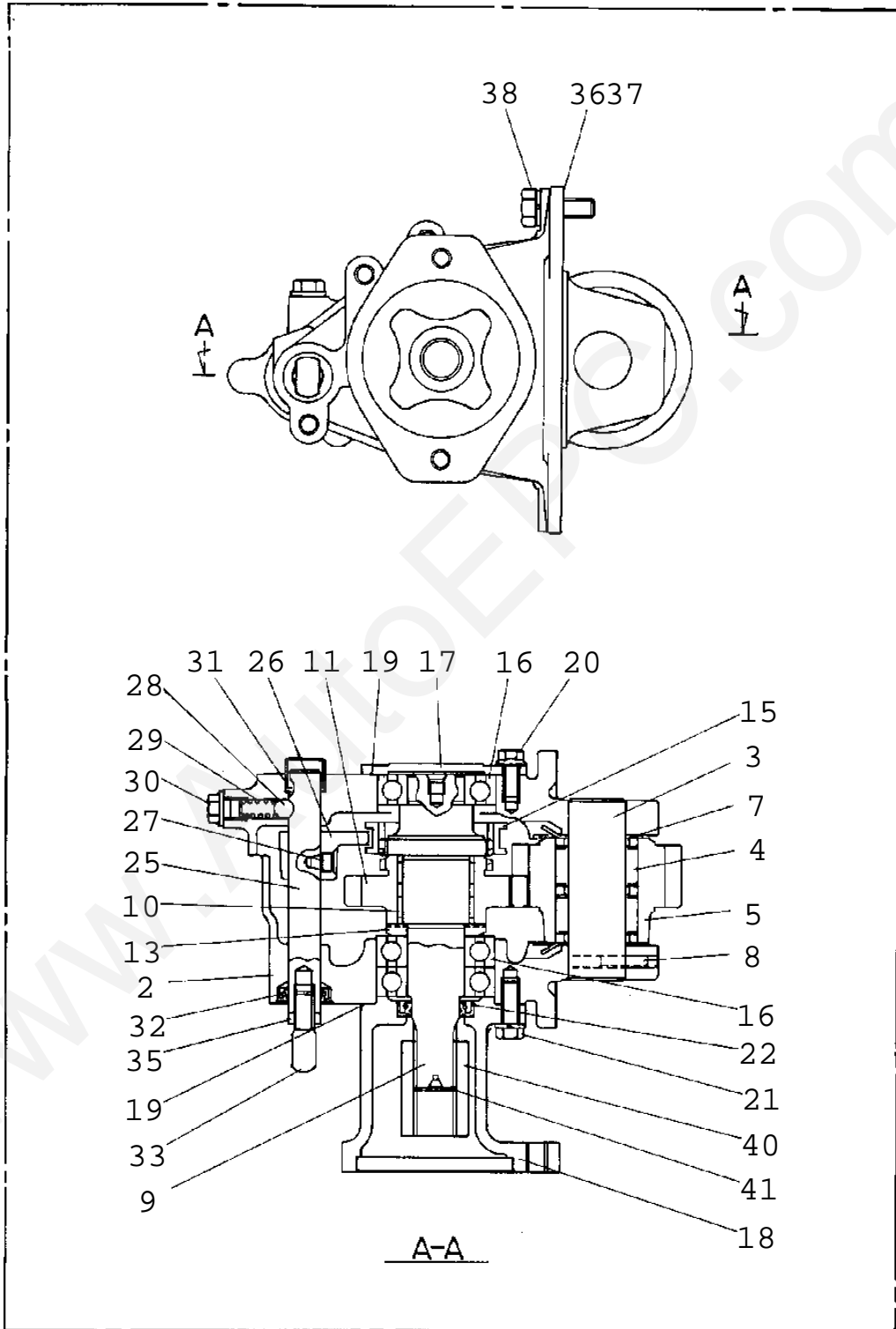
Pos No.	Parts No	Parts Name	Qty	Unit	Technical Data	Serial No (Start
2	36400956010	CASE (P.T.O)	1			
3	51630103020	SHAFT (POWER TAKE OFF)	1			
4	51630103030	BEARING, NEEDLE	1			
6	36400955010	GEAR	1			
7	51630103050	WASHER	2			
8	51630103060	PIN, SPRING	1			
9	36400955020	SHAFT (OUTPUT)	1			
10	51630103080	BEARING, NEEDLE	2			
12	51630103090	GEAR, OUTPUT	1			
13	51630103100	WASHER	1			
15	51630103110	SLEEVE	1			
16	80500006206	BEARING, BALL	3			
17	52630106230	COVER (FRONT)	1			
18	36400955030	ADAPTER	1			
19	51630103140	GASKET	2			
20	51630103150	BOLT	4			
21	36400956020	BOLT	4		M8X1.25X30	
22	36400955050	SEAL, OIL	1			
25	51630103170	SHAFT	1			
26	51630103180	FORK	1			
27	51630103190	BOLT	1			
28	36400956030	PIN	1			
29	52630106190	SPRING	1			
30	51630103200	PLUG	1			
31	51630103210	PLUG	1			
32	51630103220	SEAL, OIL	1			
33	51630103230	BOLT	1			
35	51630103240	NUT	1			
36	51630103250	GASKET	1			
37	51630103260	GASKET	1			
38	36400315040	BOLT	6			
40	36400955060	COUPLING	1			
41	36400955070	RING, STOP	1			
50	36400950000	POWER TAKE OFF	1			

TM-ZR300 31014010170A FRAME/SL, MANUAL, HOOK-IN  
PB1030114-03 POWER TAKE OFF



**TM-ZR300 31014010170A FRAME/SL, MANUAL, HOOK-IN**

Pos No.	Parts No	Parts Name	Qty	Unit	Technical Data	Serial No (Start)	Se
1	36401025010	CASE	1				
2	36401025020	GEAR	1				
3	36400845030	SHAFT	1				
4	36401025030	GEAR	1				
5	36400395050	SHAFT	1				
6	36400095100	SHIFTER ASSY	1				
7	36400095110	PACKING	1				
8	36400095070	COVER (BEARING)	1				
9	36400095080	PACKING (COVER)	1				
10	36400095090	SHIM	1				
11	36400675030	COLLAR	1				
12	80500006206	BEARING,BALL	2				
13	36401025050	BEARING	2				
14	91206030005	SEAL,OIL	1				
15	80602110470	RING,RITAINING	2		R47		
16	36400095130	WASHER	1				
17	90101206015	BOLT	1		M6X15		
18	90191208020	BOLT	4		M8X20		
19	90191208014	BOLT	3		M8X14		
20	90302040801	WASHER,SPRING	7		8		
21	36401025060	PLUG	1				
22	36401025070	WASHER,PLAIN	1				
24	36401025090	PLATE,NAME	1				
25	36401025100	PACKING	1				
26	36400095150	BOLT,STUD	6		M10X1.25/1.5X43		
27	90267201000	NUT	6		M10		
28	90302041001	WASHER,SPRING	6		10		
29	31790770100	SUPPORT	1				
30	90191208025	BOLT	2		M8X25		
31	36401025120	NUT (REINFORCER)	1				
50	36401020000	POWER TAKE OFF	1				
100	31790810000	POWER TAKE OFF	1				

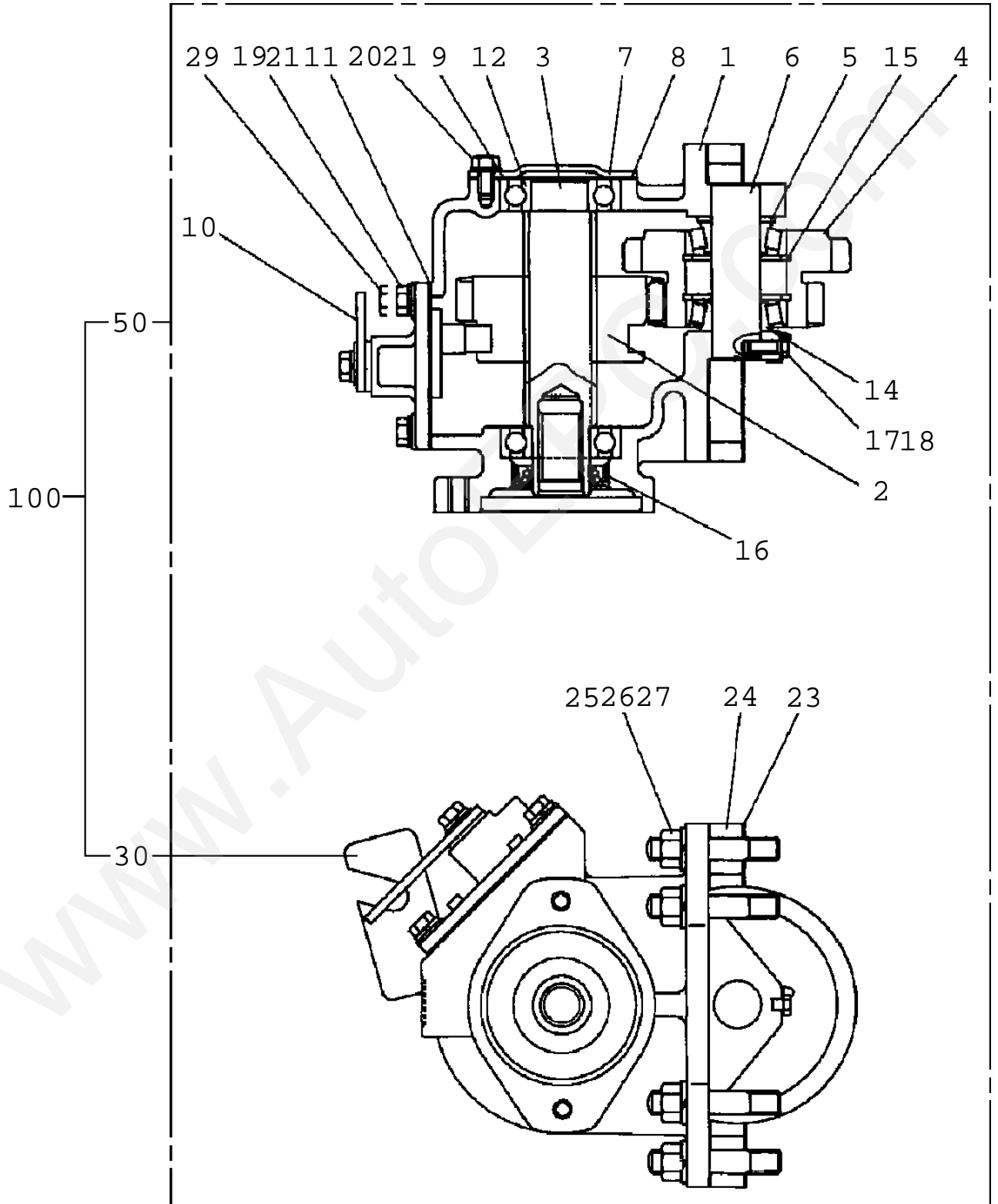




**TM-ZR300 31014010170A FRAME/SL, MANUAL, HOOK-IN**

Pos No.	Parts No	Parts Name	Qty	Unit	Technical Data	Serial No (Start
2	51630103010	CASE (P.T.O)	1			
3	51630103020	SHAFT (POWER TAKE OFF)	1			
4	51630103030	BEARING, NEEDLE	1			
5	36401045010	GEAR	1			
7	51630103050	WASHER	2			
8	51630103060	PIN, SPRING	1			
9	36400955020	SHAFT (OUTPUT)	1			
10	51630103080	BEARING, NEEDLE	2			
11	36401045020	GEAR	1			
13	51630103100	WASHER	1			
15	51630103110	SLEEVE	1			
16	80500006206	BEARING, BALL	3			
17	52630106230	COVER (FRONT)	1			
18	36400955030	ADAPTER	1			
19	51630103140	GASKET	2			
20	51630103150	BOLT	4			
21	36400955040	BOLT	4		M8X25X1.25	
22	36400955050	SEAL, OIL	1			
25	51630103170	SHAFT	1			
26	51630103180	FORK	1			
27	51630103190	BOLT	1			
28	52630106200	BALL, STEEL	1			
29	52630106190	SPRING	1			
30	51630103200	PLUG	1			
31	51630103210	PLUG	1			
32	51630103220	SEAL, OIL	1			
33	51630103230	BOLT	1			
35	51630103240	NUT	1			
36	51630103250	GASKET	1			
37	51630103260	GASKET	1			
38	36400315040	BOLT	6			
40	36400955060	COUPLING	1			
41	36400955070	RING, STOP	1			
50	36401040000	POWER TAKE OFF	1			

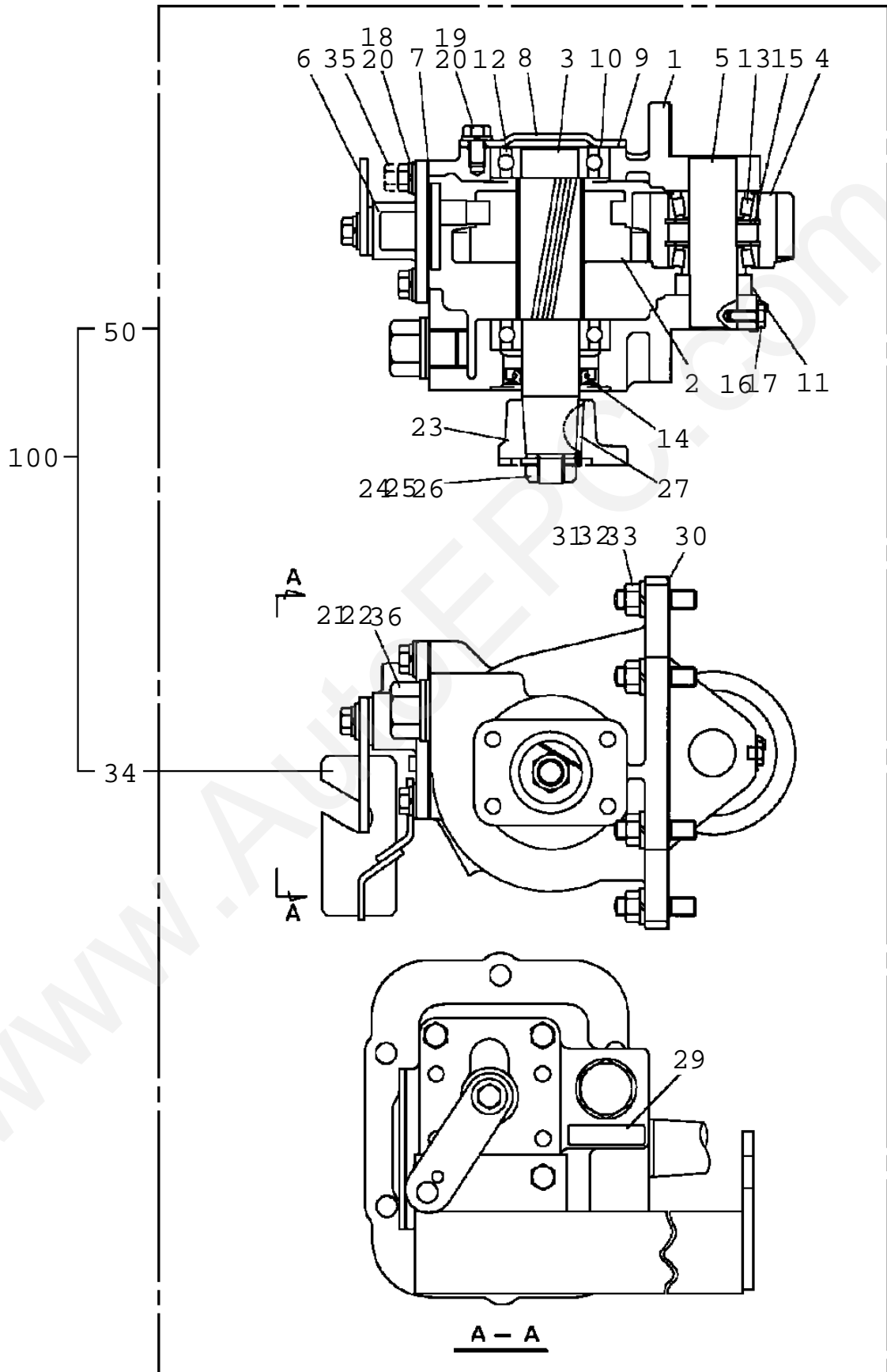
TM-ZR300 31014010170A FRAME/SL, MANUAL, HOOK-IN  
PB1030118-02 POWER TAKE OFF



**TM-ZR300 31014010170A FRAME/SL,MANUAL,HOOK-IN**

Pos No.	Parts No	Parts Name	Qty	Unit	Technical Data	Serial No (Start)	Seri
1	36401105010	CASE	1				
2	36401105100	GEAR	1				
3	36401105030	SHAFT	1				
4	36401105110	GEAR	1				
5	36401105050	COLLAR	1				
6	36400395050	SHAFT	1				
7	36400095070	COVER (BEARING)	1				
8	36400095080	PACKING (COVER)	1				
9	36400095090	SHIM	1				
10	36401105060	SHIFTER SET	1				
11	36400995080	PACKING	1				
12	80500006206	BEARING,BALL	2				
14	36400675050	BEARING	2				
15	80602110520	RING,RITAINING	2		R52		
16	91206030005	SEAL,OIL	1				
17	90101206015	BOLT	1		M6X15		
18	36400095130	WASHER	1				
19	90191208020	BOLT	4		M8X20		
20	90191208014	BOLT	3		M8X14		
21	90302040801	WASHER,SPRING	7		8		
23	36400915060	PACKING	2				
24	36401105120	SPACER	1				
25	36401105080	BOLT	6				
26	90267401200	NUT	6				
27	90302041201	WASHER,SPRING	6		12		
29	90191208025	BOLT	2		M8X25		
30	31790790100	SUPPORT	1				
50	36401100000	POWER TAKE OFF	1				
100	31790850000	POWER TAKE OFF	1				

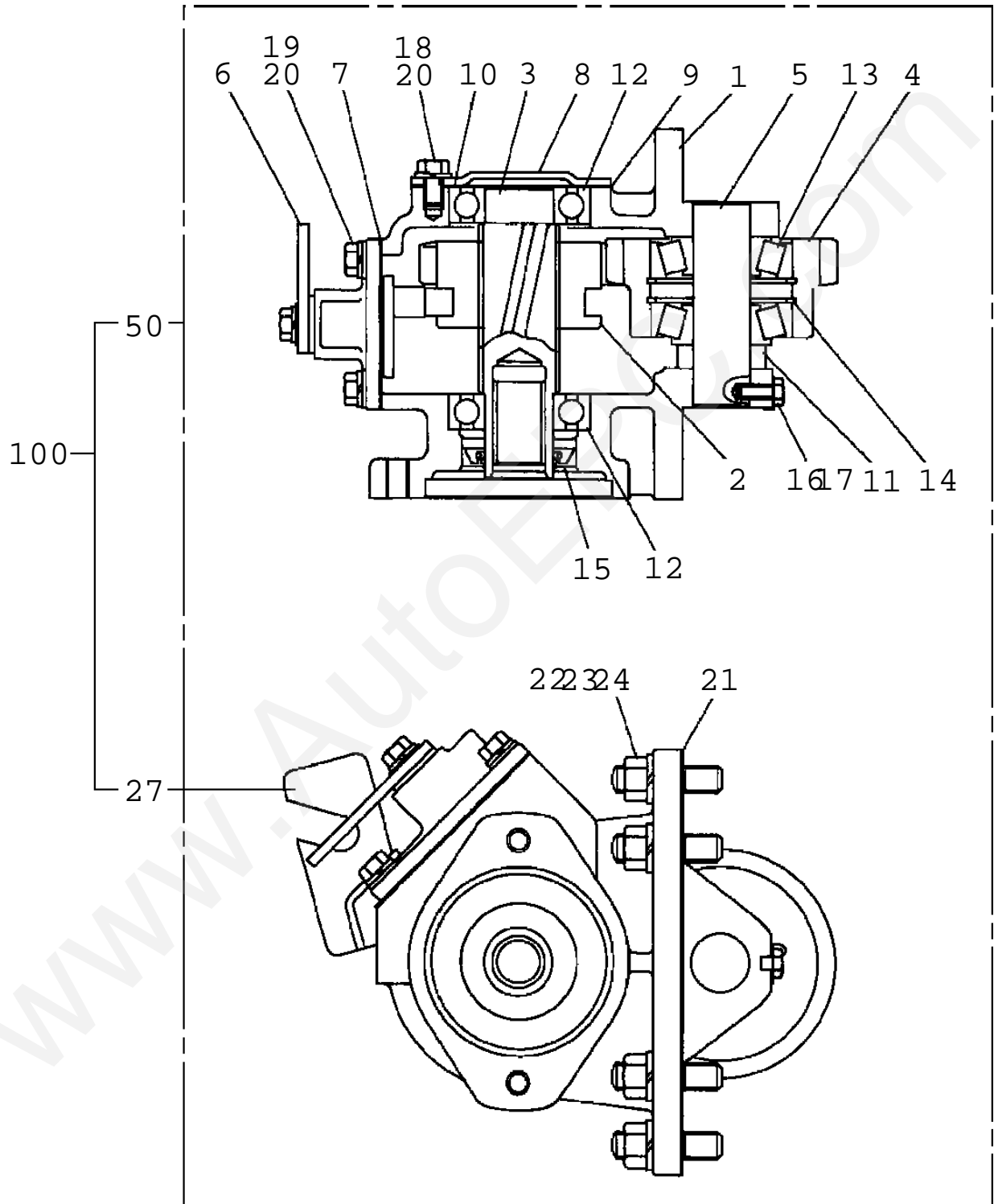
TM-ZR300 31014010170A FRAME/SL, MANUAL, HOOK-IN  
PB1030122-01 POWER TAKE OFF



**TM-ZR300 31014010170A FRAME/SL, MANUAL, HOOK-IN**

Pos No.	Parts No	Parts Name	Qty	Unit	Technical Data	Serial No (Start)	Se
1	36401035010	CASE	1				
2	36401025020	GEAR	1				
3	36401035020	SHAFT	1				
4	36401025030	GEAR	1				
5	36400395050	SHAFT	1				
6	36400095100	SHIFTER ASSY	1				
7	36400095110	PACKING	1				
8	36400095070	COVER (BEARING)	1				
9	36400095080	PACKING (COVER)	1				
10	36400095090	SHIM	1				
11	36400675030	COLLAR	1				
12	80500006206	BEARING,BALL	2				
13	36401025050	BEARING	2				
14	91206030005	SEAL,OIL	1				
15	80602110470	RING,RITAINING	2		R47		
16	36400095130	WASHER	1				
17	90101206015	BOLT	1		M6X15		
18	90191208020	BOLT	4		M8X20		
19	90191208014	BOLT	3		M8X14		
20	90302040801	WASHER,SPRING	7		8		
21	36401025060	PLUG	1				
22	36401025070	WASHER,PLAIN	1				
23	36400725030	COUPLING	1				
24	36400725080	WASHER,PLAIN	1				
25	36400725050	WASHER	1				
26	36400725070	NUT	1		M14		
27	36400135100	KEY	1				
29	36401025090	PLATE,NAME	1				
30	36401025100	PACKING	1				
31	36400095150	BOLT,STUD	6		M10X1.25/1.5X43		
32	90267201000	NUT	6		M10		
33	90302041001	WASHER,SPRING	6		10		
34	31790770100	SUPPORT	1				
35	90191208025	BOLT	2		M8X25		
36	36401025120	NUT (REINFORCER)	1				
50	36401030000	POWER TAKE OFF	1				
100	31791970000	POWER TAKE OFF	1				

TM-ZR300 31014010170A FRAME/SL, MANUAL, HOOK-IN  
PB1030125-01 POWER TAKE OFF

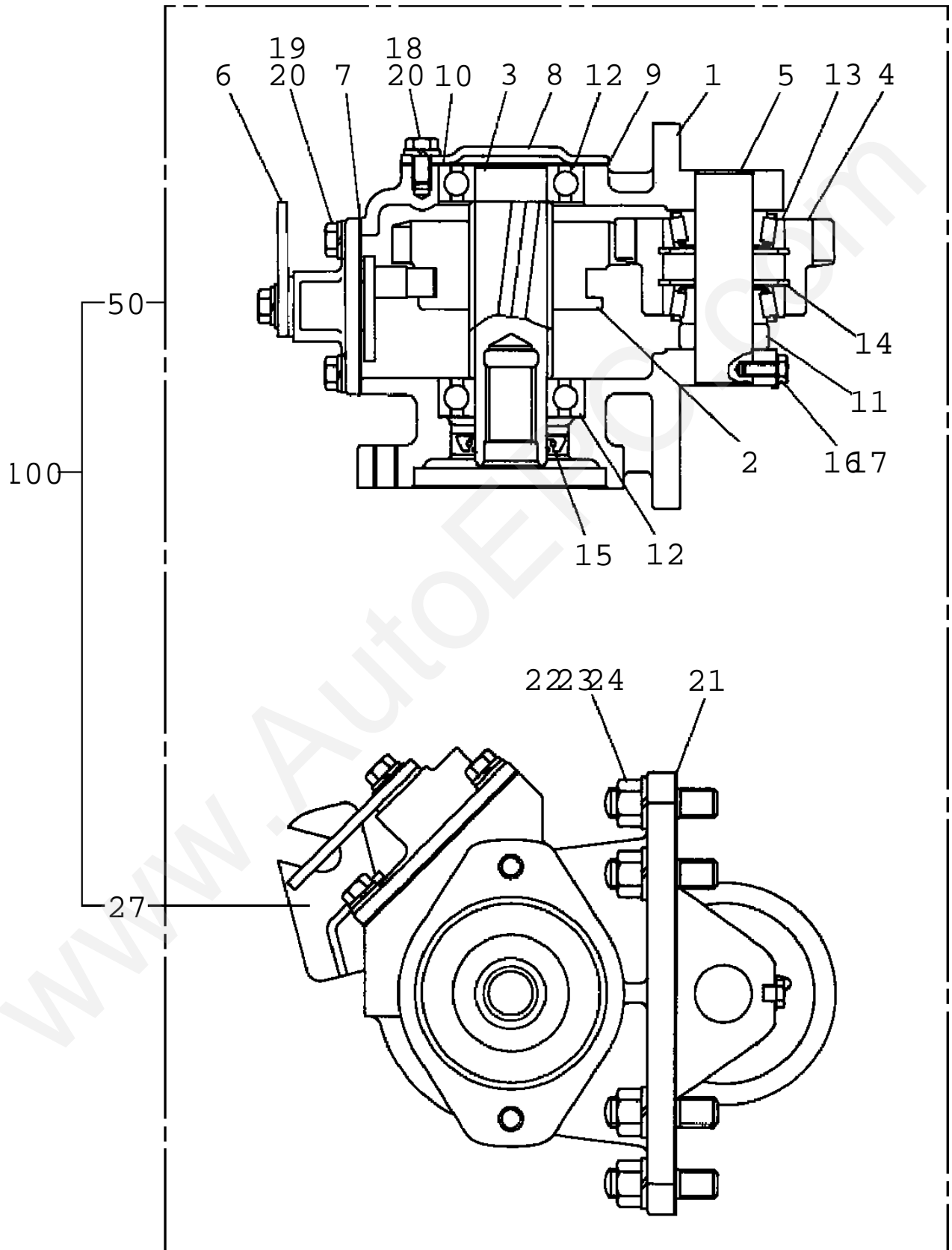


**TM-ZR300 31014010170A FRAME/SL,MANUAL,HOOK-IN**

Pos No.	Parts No	Parts Name	Qty	Unit	Technical Data	Serial No (Start)	Seri
1	36400915010	CASE	1				
2	36400915020	GEAR	1				
3	36400915030	SHAFT	1				
4	36400915040	GEAR	1				
5	36400395050	SHAFT	1				
6	36400095100	SHIFTER ASSY	1				
7	36400095110	PACKING	1				
8	36400095070	COVER (BEARING)	1				
9	36400095080	PACKING (COVER)	1				
10	36400095090	SHIM	1				
11	36400675030	COLLAR	1				
12	80500006206	BEARING,BALL	2				
13	36400915050	BEARING	2				
14	80602110620	RING,RITAINING	2		R62		
15	91206030005	SEAL,OIL	1				
16	90191206012	BOLT	1		M6X12		
17	36400095130	WASHER	1				
18	90191208014	BOLT	3		M8X14		
19	90191208020	BOLT	4		M8X20		
20	90302040801	WASHER,SPRING	7		8		
21	36400915060	PACKING	1				
22	36400435120	BOLT,STUD	6				
23	90267401200	NUT	6				
24	90302041201	WASHER,SPRING	6		12		
27	31790670100	SUPPORT	1				
50	36400910000	POWER TAKE OFF	1				
100	31791950000	POWER TAKE OFF	1				

www.AutoEPC.com

TM-ZR300 31014010170A FRAME/SL, MANUAL, HOOK-IN  
PB1030127-01 POWER TAKE OFF



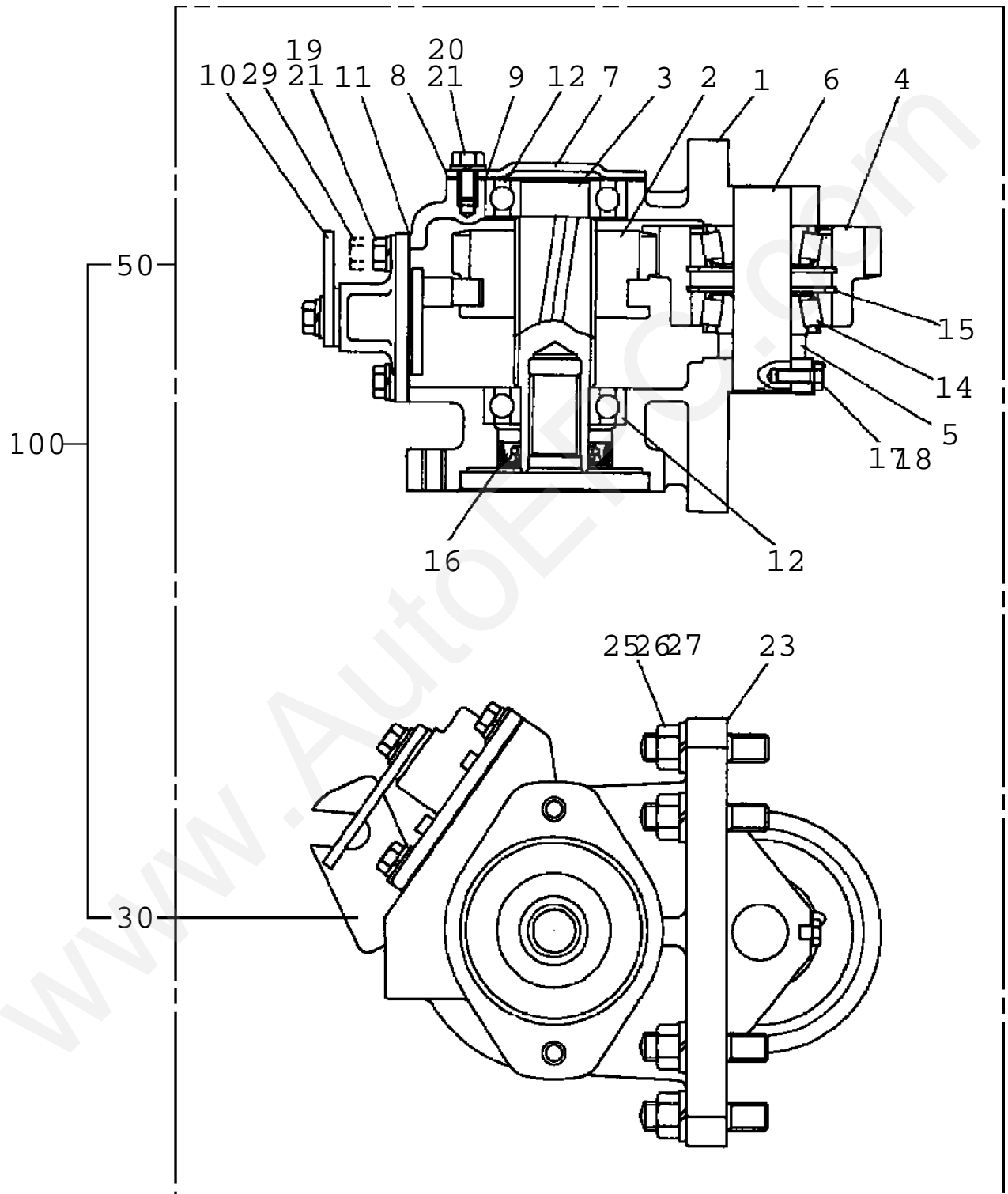


**TM-ZR300 31014010170A FRAME/SL,MANUAL,HOOK-IN**

Pos No.	Parts No	Parts Name	Qty	Unit	Technical Data	Serial No (Start)	Seri
1	36401055010	CASE	1				
2	36401055020	GEAR	1				
3	36401055030	SHAFT	1				
4	36401055040	GEAR	1				
5	36400395050	SHAFT	1				
6	36400095100	SHIFTER ASSY	1				
7	36400095110	PACKING	1				
8	36400095070	COVER (BEARING)	1				
9	36400095080	PACKING (COVER)	1				
10	36400095090	SHIM	1				
11	36400675030	COLLAR	1				
12	80500006206	BEARING,BALL	2				
13	36400675050	BEARING	2				
14	80602110520	RING,RITAINING	2		R52		
15	91206030005	SEAL,OIL	1				
16	90191206015	BOLT	1		M6		
17	36400095130	WASHER	1				
18	90191208014	BOLT	3		M8X14		
19	90191208020	BOLT	4		M8X20		
20	90302040801	WASHER,SPRING	7		8		
21	36400915060	PACKING	1				
22	36400435120	BOLT,STUD	6				
23	90267401200	NUT	6				
24	90302041201	WASHER,SPRING	6		12		
27	31790830100	SUPPORT	1				
50	36401050000	POWER TAKE OFF	1				
100	31790830000	POWER TAKE OFF	1				

www.AutoEPC.com

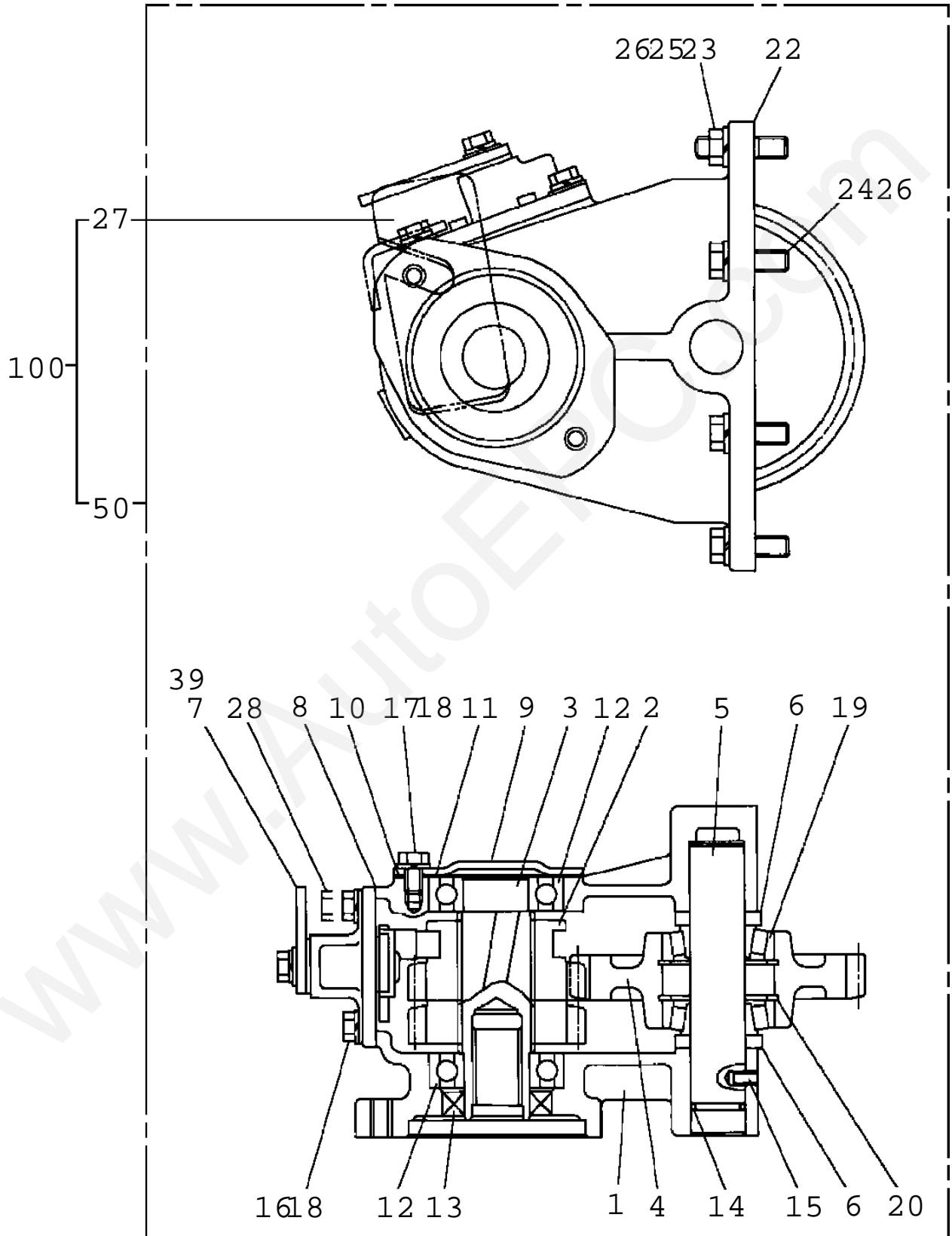
TM-ZR300 31014010170A FRAME/SL, MANUAL, HOOK-IN  
PB1030128-01 POWER TAKE OFF



**TM-ZR300 31014010170A FRAME/SL,MANUAL,HOOK-IN**

Pos No.	Parts No	Parts Name	Qty	Unit	Technical Data	Serial No (Start)	Seri
1	36401095080	CASE	1				
2	36401095020	GEAR	1				
3	36400915030	SHAFT	1				
4	36401095030	GEAR	1				
5	36400675030	COLLAR	1				
6	36400395050	SHAFT	1				
7	36400095070	COVER (BEARING)	1				
8	36400095080	PACKING (COVER)	1				
9	36400095090	SHIM	1				
10	36400095100	SHIFTER ASSY	1				
11	36400095110	PACKING	1				
12	80500006206	BEARING,BALL	2				
14	36400135070	BEARING	2				
15	80602110620	RING,RITAINING	2		R62		
16	91206030005	SEAL,OIL	1				
17	90101206015	BOLT	1		M6X15		
18	36400095130	WASHER	1				
19	90191208020	BOLT	4		M8X20		
20	90191208014	BOLT	3		M8X14		
21	90302040801	WASHER,SPRING	7		8		
23	36400915060	PACKING	1				
25	36401095040	BOLT	6				
26	90267401200	NUT	6				
27	90302041201	WASHER,SPRING	6		12		
29	90191208025	BOLT	2		M8X25		
30	31790830100	SUPPORT	1				
50	36401090000	POWER TAKE OFF	1				
100	31790840000	POWER TAKE OFF	1				

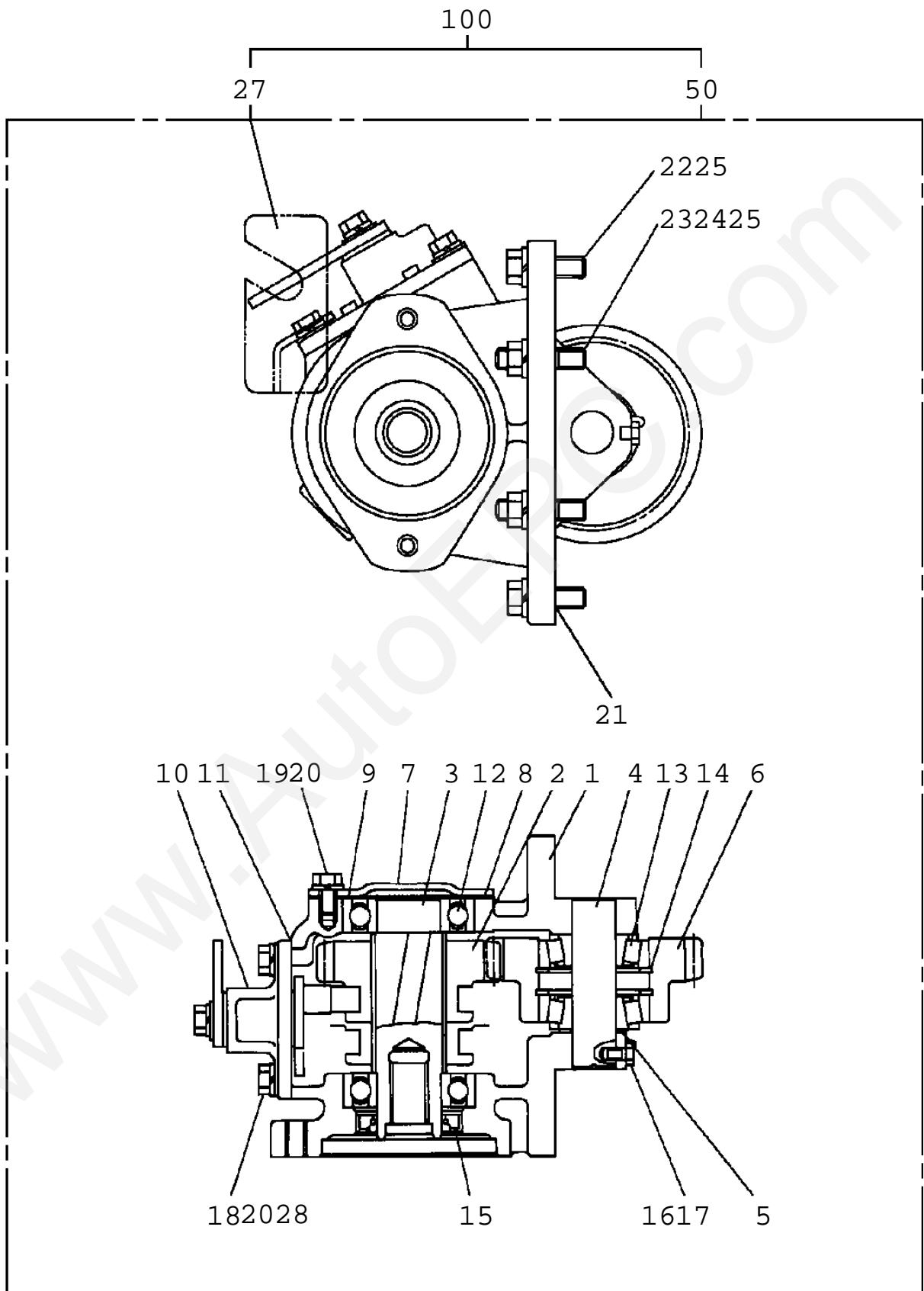
TM-ZR300 31014010170A FRAME/SL, MANUAL, HOOK-IN  
PB1030135-02 POWER TAKE OFF



**TM-ZR300 31014010170A FRAME/SL, MANUAL, HOOK-IN**

Pos No.	Parts No	Parts Name	Qty	Unit	Technical Data	Serial No (Start)	Ser
1	36400895010	CASE	1				
2	36400895020	GEAR	1				
3	36400895030	SHAFT	1				
4	36400895040	GEAR	1				
5	36400415050	SHAFT	1				
6	36400215070	COLLAR	2				
7	36400225110	SHIFTER SET	1				
8	36400095110	PACKING	1				
9	36400095070	COVER (BEARING)	1				
10	36400095080	PACKING (COVER)	1				
11	36400095090	SHIM	1				
12	80500006206	BEARING, BALL	2				
13	91206030005	SEAL, OIL	1				
14	91001102100	O-RING	1		1A P21		
15	90710006120	SCREW, SET	1		M6X12		
16	90191208020	BOLT	4		M8X20		
17	90191208014	BOLT	3		M8X14		
18	90302040801	WASHER, SPRING	7		8		
19	36400675050	BEARING	2				
20	80602110520	RING, RITAINING	2		R52		
22	36400415100	PACKING (CASE)	1				
23	36400095150	BOLT, STUD	2		M10X1.25/1.5X43		
24	90191210030	BOLT	6		M10X30		
25	90267201000	NUT	2		M10		
26	90302041001	WASHER, SPRING	8		10		
27	31790910100	SUPPORT	1				
28	90191208025	BOLT	2		M8X25		
39	36400225160	SEAL, OIL	1				
50	36401180000	POWER TAKE OFF	1				
100	31790910000	POWER TAKE OFF	1				

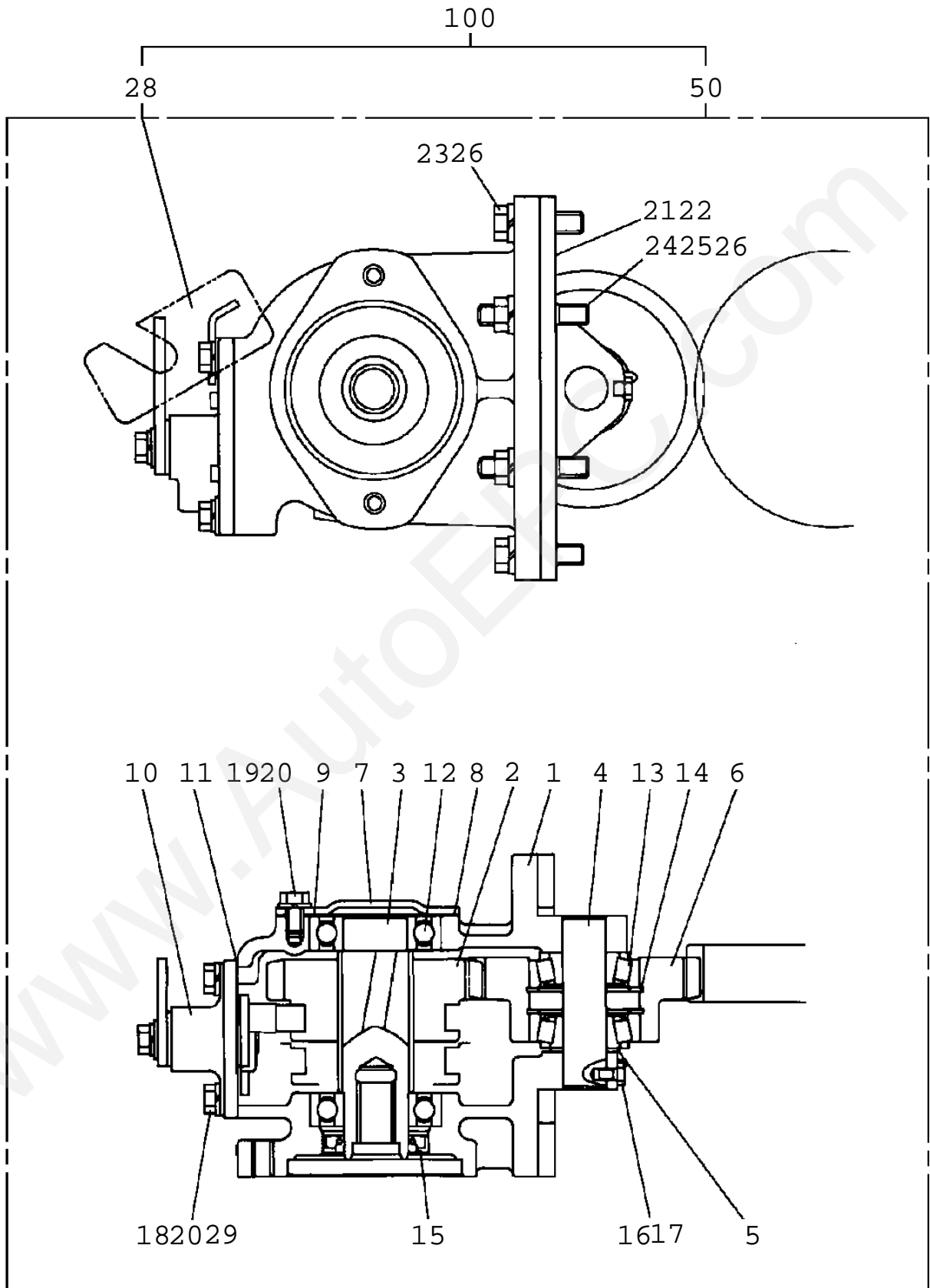
TM-ZR300 31014010170A FRAME/SL, MANUAL, HOOK-IN  
PB1030136-02 POWER TAKE OFF



**TM-ZR300 31014010170A FRAME/SL, MANUAL, HOOK-IN**

Pos No.	Parts No	Parts Name	Qty	Unit	Technical Data	Serial No (Start)	Ser
1	36401345010	CASE	1				
2	36400865020	GEAR	1				
3	36400895030	SHAFT	1				
4	36400095040	SHAFT	1				
5	36400095050	COLLAR	1				
6	36400865040	GEAR	1				
7	36400095070	COVER (BEARING)	1				
8	36400095080	PACKING (COVER)	1				
9	36400095090	SHIM	1				
10	36400095100	SHIFTER ASSY	1				
11	36400095110	PACKING	1				
12	80500006206	BEARING,BALL	2				
13	36400095120	BEARING	2				
14	80602110520	RING,RITAINING	2		R52		
15	91206030005	SEAL,OIL	1				
16	90101206012	BOLT	1		M6X12		
17	36400095130	WASHER	1				
18	90191208020	BOLT	4		M8X20		
19	90191208014	BOLT	3		M8X14		
20	90302040801	WASHER,SPRING	7		8		
21	36400335030	SHIM	1				
22	90191210030	BOLT	4		M10X30		
23	36400095150	BOLT,STUD	4		M10X1.25/1.5X43		
24	90267201000	NUT	4		M10		
25	90302041001	WASHER,SPRING	8		10		
27	31790670100	SUPPORT	1				
28	90191208025	BOLT	2		M8X25		
50	36401340000	POWER TAKE OFF	1				
100	31790920000	POWER TAKE OFF	1				

TM-ZR300 31014010170A FRAME/SL, MANUAL, HOOK-IN  
PB1030137-02 POWER TAKE OFF

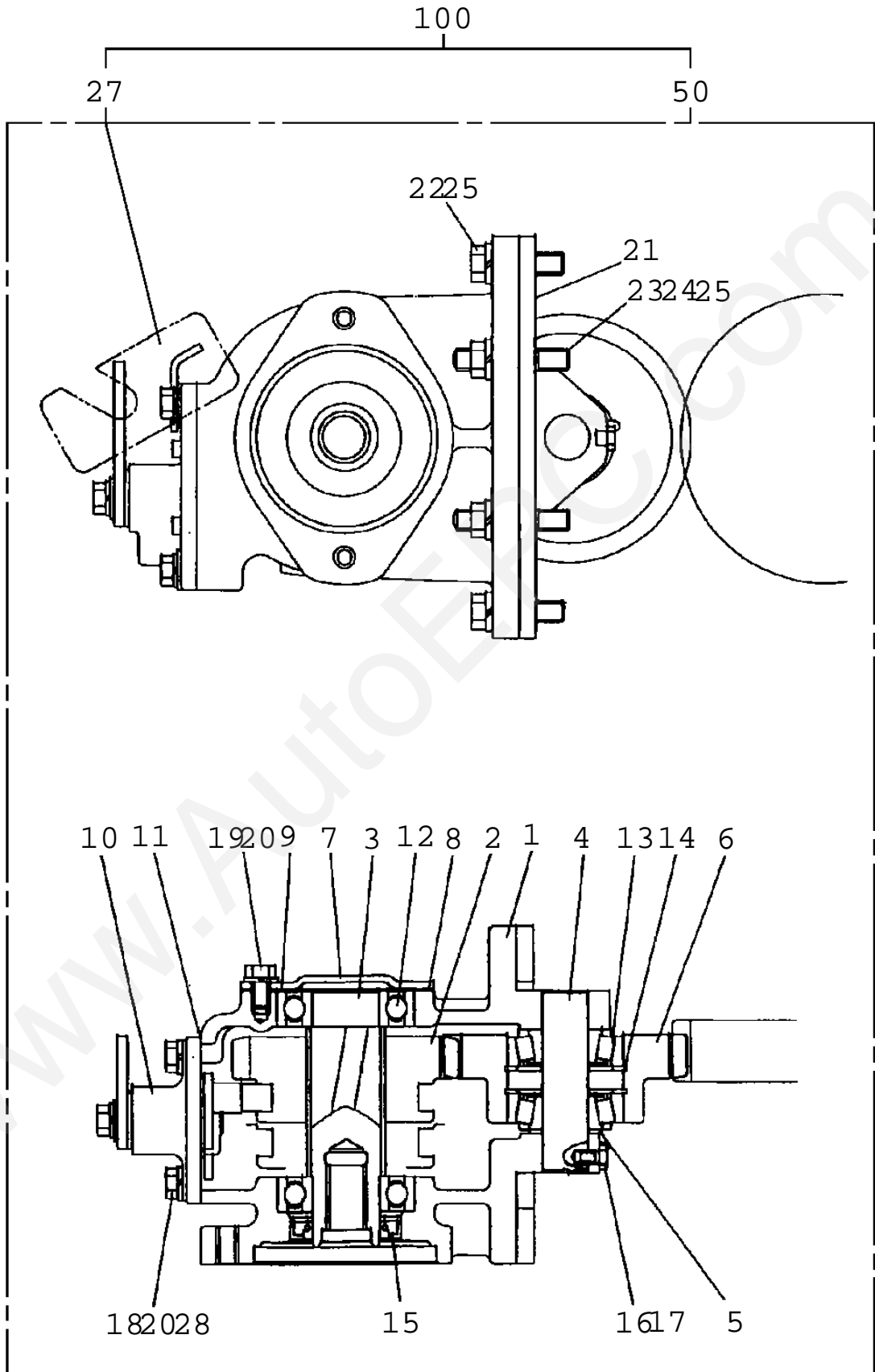




**TM-ZR300 31014010170A FRAME/SL, MANUAL, HOOK-IN**

Pos No.	Parts No	Parts Name	Qty	Unit	Technical Data	Serial No (Start)	Seri
1	36401365010	CASE	1				
2	36401355010	GEAR	1				
3	36401355020	SHAFT	1				
4	36400095040	SHAFT	1				
5	36400095050	COLLAR	1				
6	36401355030	GEAR	1				
7	36400095070	COVER (BEARING)	1				
8	36400095080	PACKING (COVER)	1				
9	36400095090	SHIM	1				
10	36400095100	SHIFTER ASSY	1				
11	36400095110	PACKING	1				
12	80500006206	BEARING,BALL	2				
13	36400095120	BEARING	2				
14	80602110520	RING,RITAINING	2		R52		
15	91206030005	SEAL,OIL	1				
16	90101206012	BOLT	1		M6X12		
17	36400095130	WASHER	1				
18	90191208020	BOLT	4		M8X20		
19	90191208014	BOLT	3		M8X14		
20	90302040801	WASHER,SPRING	7		8		
21	36400345010	SPACER	1				
22	36400335030	SHIM	1				
23	90191210035	BOLT	4		M10X35		
24	36401355040	BOLT	4				
25	90267201000	NUT	4		M10		
26	90302041001	WASHER,SPRING	8		10		
28	31790680100	SUPPORT	1				
29	90191208025	BOLT	2		M8X25		
50	36401350000	POWER TAKE OFF	1				
100	31790930000	POWER TAKE OFF	1				

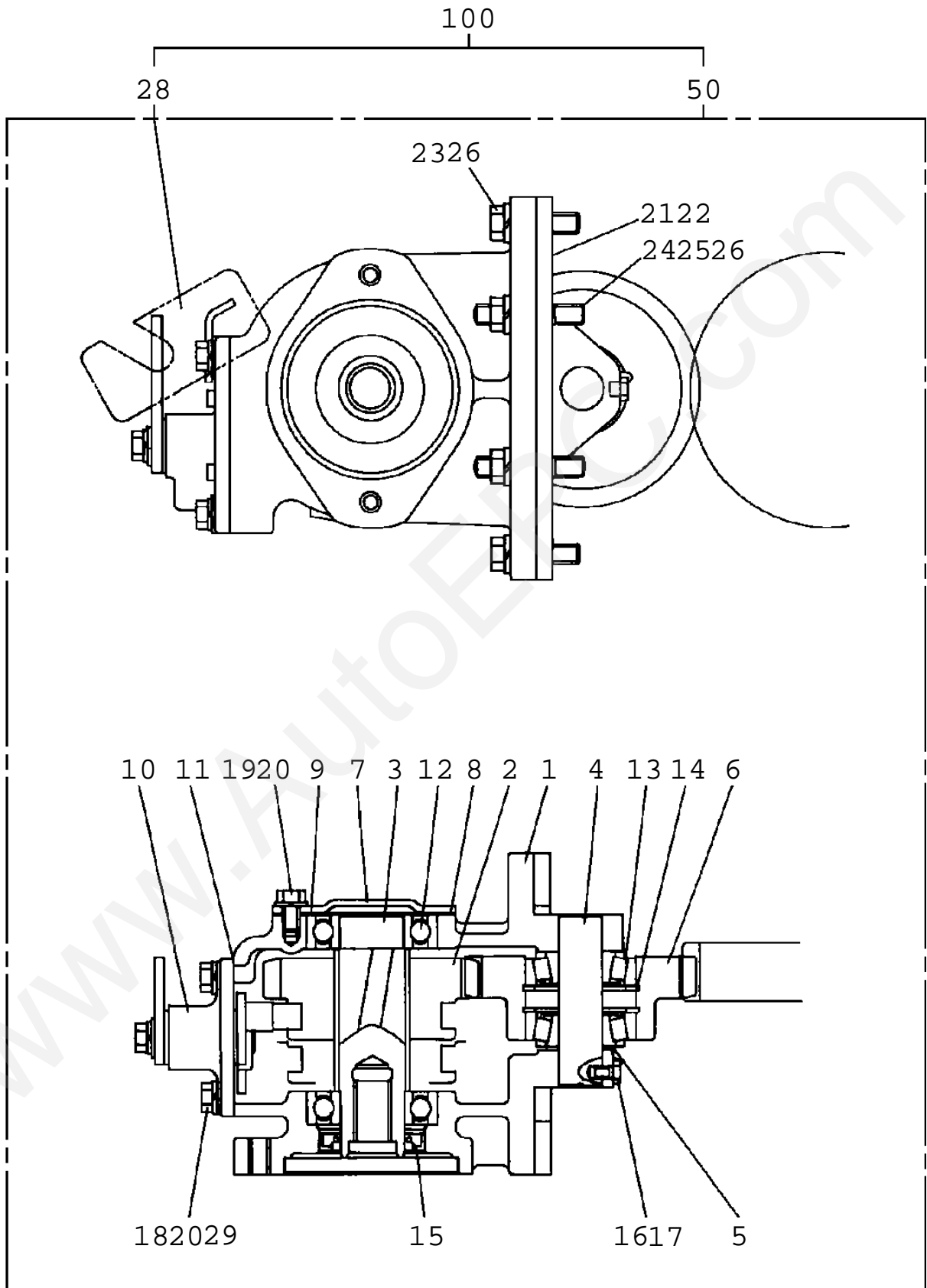
TM-ZR300 31014010170A FRAME/SL, MANUAL, HOOK-IN  
PB1030138-01 POWER TAKE OFF



**TM-ZR300 31014010170A FRAME/SL,MANUAL,HOOK-IN**

Pos No.	Parts No	Parts Name	Qty	Unit	Technical Data	Serial No (Start)	Ser
1	36401365010	CASE	1				
2	36401365020	GEAR	1				
3	36400895030	SHAFT	1				
4	36400095040	SHAFT	1				
5	36400095050	COLLAR	1				
6	36401365030	GEAR	1				
7	36400095070	COVER (BEARING)	1				
8	36400095080	PACKING (COVER)	1				
9	36400095090	SHIM	1				
10	36400095100	SHIFTER ASSY	1				
11	36400095110	PACKING	1				
12	80500006206	BEARING,BALL	2				
13	36400095120	BEARING	2				
14	80602110520	RING,RITAINING	2		R52		
15	91206030005	SEAL,OIL	1				
16	90101206012	BOLT	1		M6X12		
17	36400095130	WASHER	1				
18	90191208020	BOLT	4		M8X20		
19	90191208014	BOLT	3		M8X14		
20	90302040801	WASHER,SPRING	7		8		
21	36400335030	SHIM	1				
22	90191210030	BOLT	4		M10X30		
23	36400095150	BOLT,STUD	4		M10X1.25/1.5X43		
24	90267201000	NUT	4		M10		
25	90302041001	WASHER,SPRING	8		10		
27	31790680100	SUPPORT	1				
28	90191208025	BOLT	2		M8X25		
50	36401360000	POWER TAKE OFF	1				
100	31790940000	POWER TAKE OFF	1				

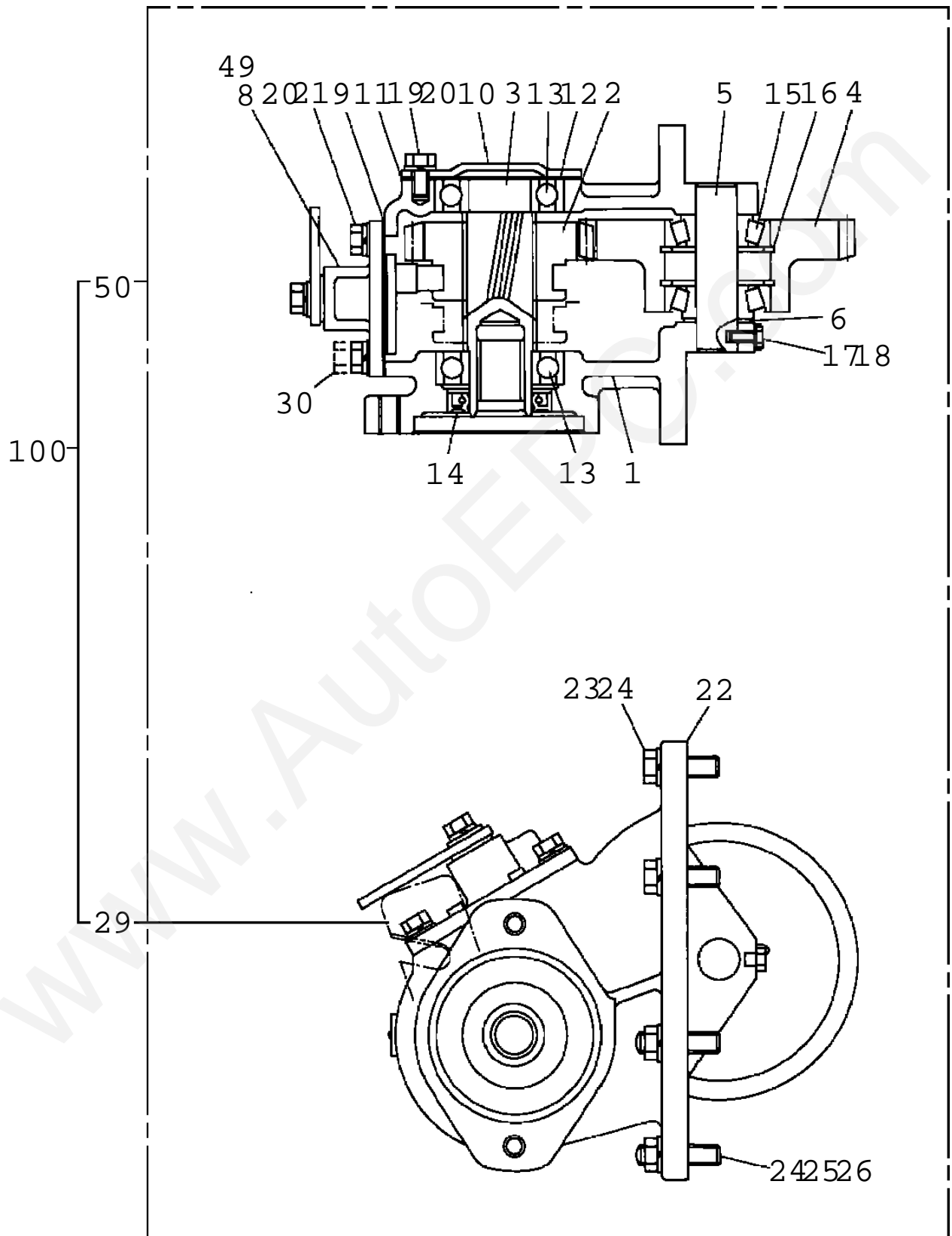
TM-ZR300 31014010170A FRAME/SL, MANUAL, HOOK-IN  
PB1030142-02 POWER TAKE OFF



**TM-ZR300 31014010170A FRAME/SL, MANUAL, HOOK-IN**

Pos No.	Parts No	Parts Name	Qty	Unit	Technical Data	Serial No (Start)	Seri
1	36401365010	CASE	1				
2	36401385010	GEAR	1				
3	36400895030	SHAFT	1				
4	36400095040	SHAFT	1				
5	36400095050	COLLAR	1				
6	36401385020	GEAR	1				
7	36400095070	COVER (BEARING)	1				
8	36400095080	PACKING (COVER)	1				
9	36400095090	SHIM	1				
10	36400095100	SHIFTER ASSY	1				
11	36400095110	PACKING	1				
12	80500006206	BEARING,BALL	2				
13	36400095120	BEARING	2				
14	80602110520	RING,RITAINING	2		R52		
15	91206030005	SEAL,OIL	1				
16	90101206012	BOLT	1		M6X12		
17	36400095130	WASHER	1				
18	90191208020	BOLT	4		M8X20		
19	90191208014	BOLT	3		M8X14		
20	90302040801	WASHER,SPRING	7		8		
21	36400345010	SPACER	1				
22	36400335030	SHIM	1				
23	90191210035	BOLT	4		M10X35		
24	36401385030	BOLT	4				
25	90267201000	NUT	4		M10		
26	90302041001	WASHER,SPRING	8		10		
28	31790680100	SUPPORT	1				
29	90191208025	BOLT	1		M8X25		
50	36401380000	POWER TAKE OFF	1				
100	31790960000	POWER TAKE OFF	1				

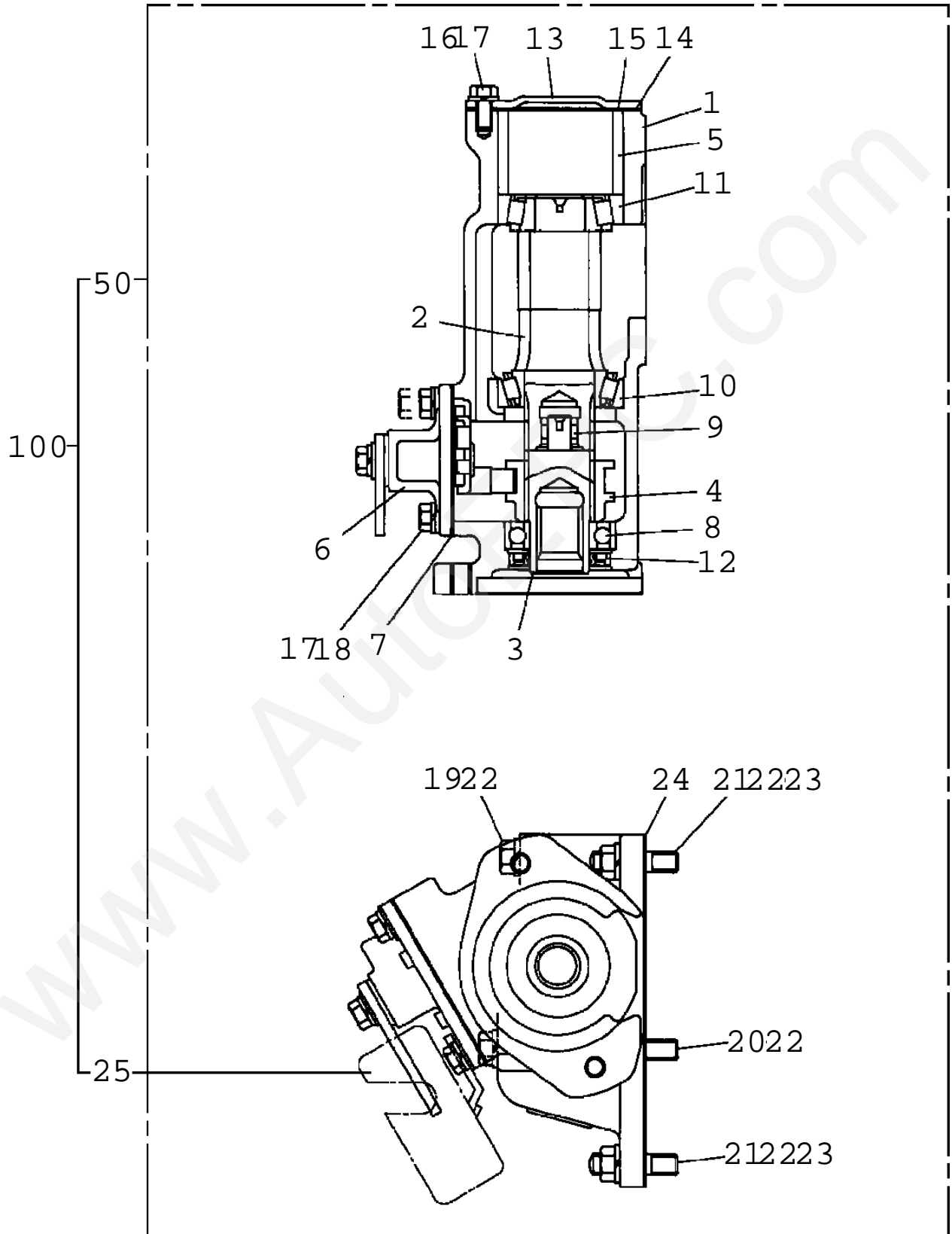
TM-ZR300 31014010170A FRAME/SL, MANUAL, HOOK-IN  
PB1030145-02 POWER TAKE OFF



**TM-ZR300 31014010170A FRAME/SL,MANUAL,HOOK-IN**

Pos No.	Parts No	Parts Name	Qty	Unit	Technical Data	Serial No (Start)	Ser
1	36400905010	CASE	1				
2	36400905020	GEAR	1				
3	36400865030	SHAFT	1				
4	36400905030	GEAR	1				
5	36400095040	SHAFT	1				
6	36400095050	COLLAR	1				
8	36400225110	SHIFTER SET	1				
9	36400095110	PACKING	1				
10	36400095070	COVER (BEARING)	1				
11	36400095080	PACKING (COVER)	1				
12	36400095090	SHIM	1				
13	80500006206	BEARING,BALL	2				
14	91206030005	SEAL,OIL	1				
15	36400095120	BEARING	2				
16	80602110520	RING,RITAINING	2		R52		
17	36400095130	WASHER	12				
18	90101206012	BOLT	1		M6X12		
19	90191208014	BOLT	3		M8X14		
20	90302040801	WASHER,SPRING	7		8		
21	90191208020	BOLT	4		M8X20		
22	36400415100	PACKING (CASE)	1				
23	90191210030	BOLT	4		M10X30		
24	90302041001	WASHER,SPRING	8		10		
25	36400095150	BOLT,STUD	4		M10X1.25/1.5X43		
26	90267201000	NUT	4		M10		
29	31790910100	SUPPORT	1				
30	90191208025	BOLT	2		M8X25		
49	36400225160	SEAL,OIL	1				
50	36401410000	POWER TAKE OFF	1				
100	31790980000	POWER TAKE OFF	1				

TM-ZR300 31014010170A FRAME/SL, MANUAL, HOOK-IN  
PB1030146-01 POWER TAKE OFF

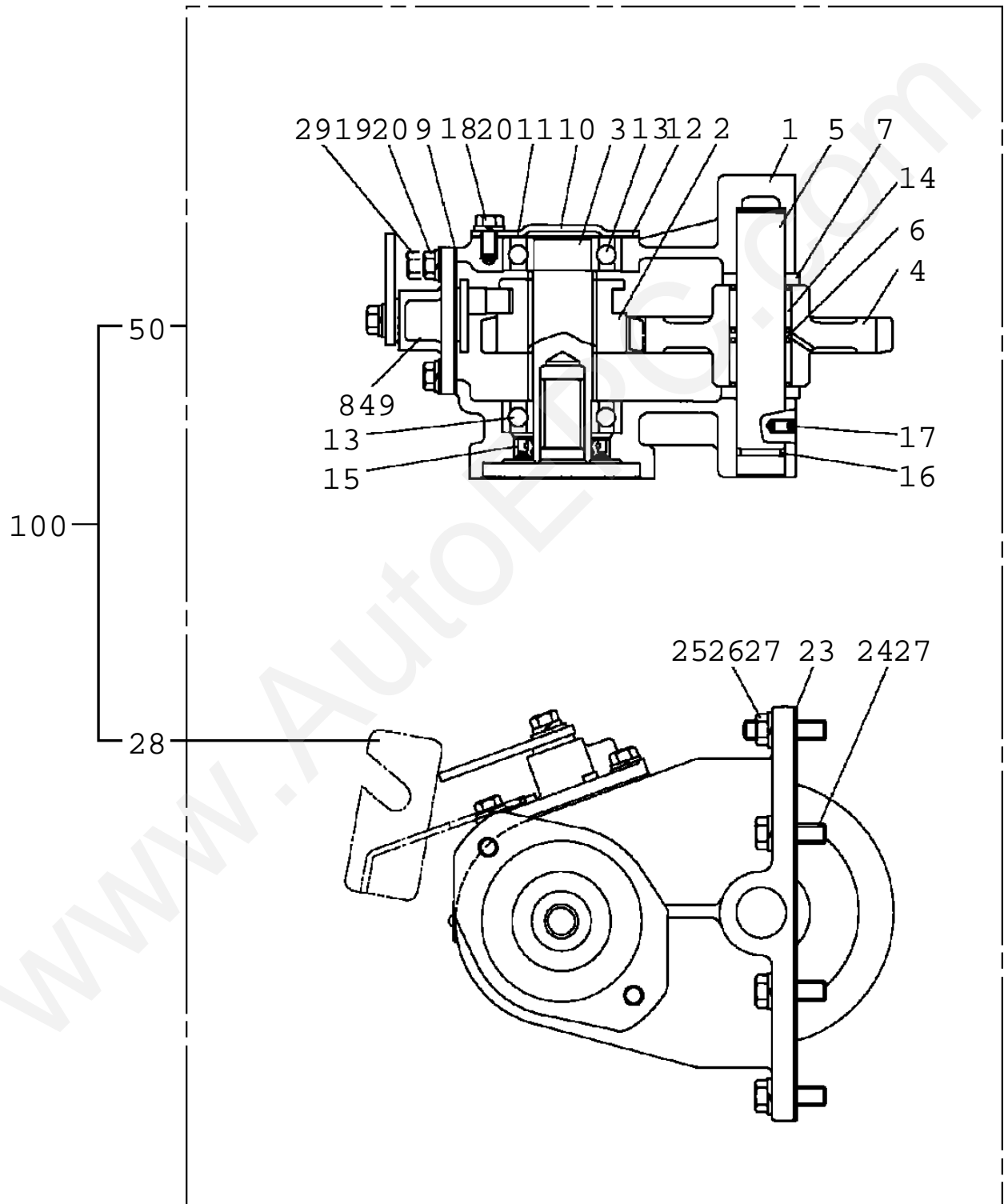




**TM-ZR300 31014010170A FRAME/SL,MANUAL,HOOK-IN**

Pos No.	Parts No	Parts Name	Qty	Unit	Technical Data	Serial No (Start)	Ser
1	36401425010	CASE	1				
2	36401425020	GEAR (TO)	1				
3	36400775010	SHAFT	1				
4	36401125040	SLEEVE	1				
5	36401135070	COLLAR	1				
6	36400095100	SHIFTER ASSY	1				
7	36400095110	PACKING	1				
8	80500006006	BEARING,BALL	1				
9	36400765050	BEARING,NEEDLE	1				
10	36401125080	BEARING,ROLLER	1				
11	36400765070	BEARING	1				
12	91206030005	SEAL,OIL	1				
13	36400095070	COVER (BEARING)	1				
14	36400095080	PACKING (COVER)	1				
15	36400095090	SHIM	N				
16	90191208014	BOLT	3		M8X14		
17	90302040801	WASHER,SPRING	7		8		
18	90191208020	BOLT	4		M8X20		
19	90191210080	BOLT	1		M10X80		
20	90191210090	BOLT	2		M10X90		
21	36400095150	BOLT,STUD	3		M10X1.25/1.5X43		
22	90302041001	WASHER,SPRING	6		10		
23	90267201000	NUT	3		M10		
24	36401125120	PACKING (CASE)	1				
25	31790770100	SUPPORT	1				
50	36401440000	POWER TAKE OFF	1				
100	31791000000	POWER TAKE OFF	1				

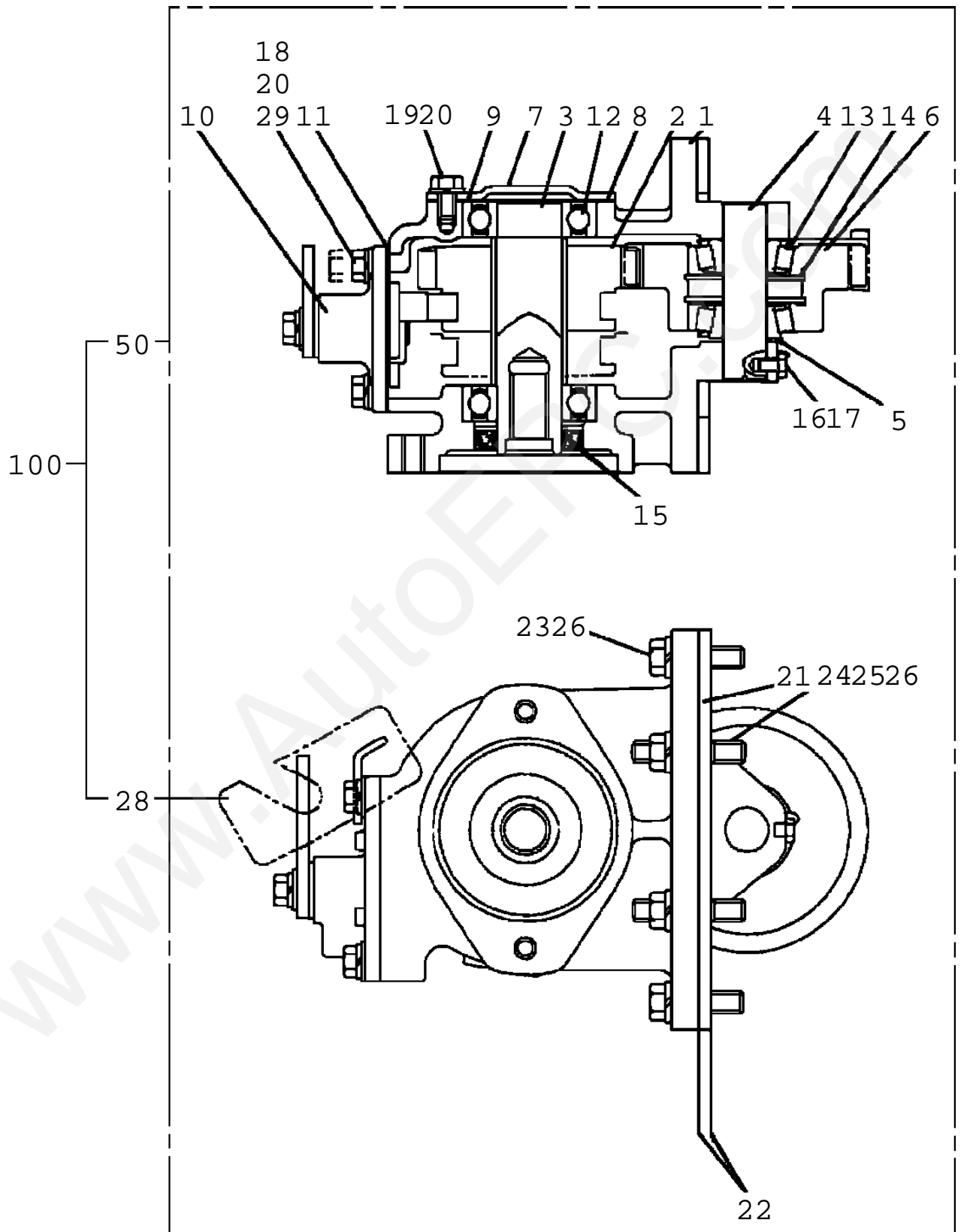
TM-ZR300 31014010170A FRAME/SL, MANUAL, HOOK-IN  
PB1030147-02 POWER TAKE OFF



**TM-ZR300 31014010170A FRAME/SL, MANUAL, HOOK-IN**

Pos No.	Parts No	Parts Name	Qty	Unit	Technical Data	Serial No (Start)	Ser
1	36400895010	CASE	1				
2	36401115010	GEAR	1				
3	36400895030	SHAFT	1				
4	36401115020	GEAR	1				
5	36400415050	SHAFT	1				
6	36400415060	COLLAR	1				
7	36400215070	COLLAR	2				
8	36400225110	SHIFTER SET	1				
9	36400095110	PACKING	1				
10	36400095070	COVER (BEARING)	1				
11	36400095080	PACKING (COVER)	1				
12	36400095090	SHIM	N				
13	80500006206	BEARING, BALL	2				
14	36400415090	BEARING, NEEDLE	2				
15	91206030005	SEAL, OIL	1				
16	91001102100	O-RING	1		1A P21		
17	90710006120	SCREW, SET	1		M6X12		
18	90191208014	BOLT	3		M8X14		
19	90191208020	BOLT	4		M8X20		
20	90302040801	WASHER, SPRING	7		8		
23	36400415100	PACKING (CASE)	1				
24	90191210030	BOLT	6		M10X30		
25	36400095150	BOLT, STUD	2		M10X1.25/1.5X43		
26	90267201000	NUT	2		M10		
27	90302041001	WASHER, SPRING	8		10		
28	31790720100	SUPPORT	1				
29	90191208025	BOLT	2		M8X25		
49	36400225160	SEAL, OIL	1				
50	36401500000	POWER TAKE OFF	1				
100	31791020000	POWER TAKE OFF	1				

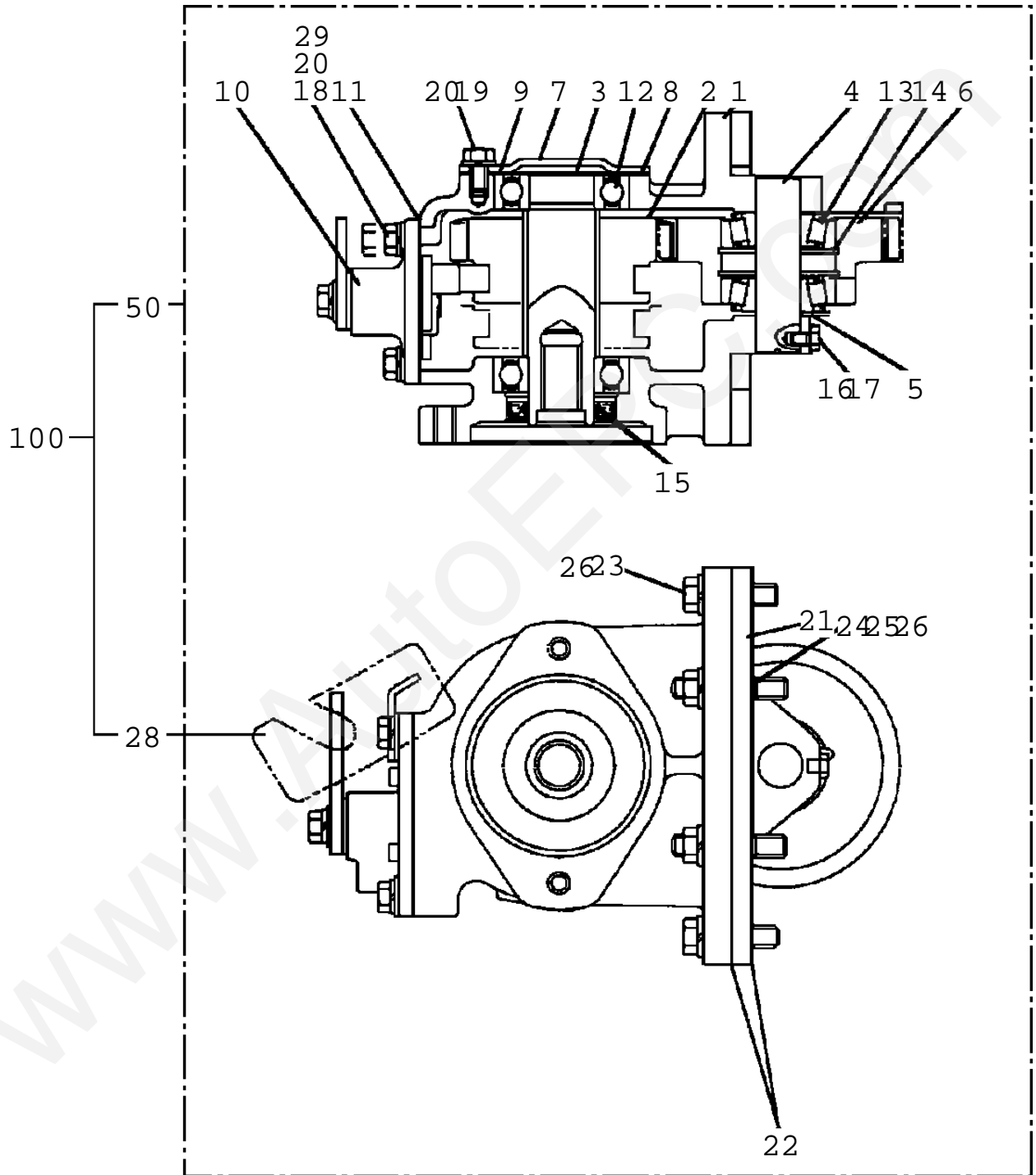
TM-ZR300 31014010170A FRAME/SL, MANUAL, HOOK-IN  
PB1030157-01 POWER TAKE OFF



**TM-ZR300 31014010170A FRAME/SL, MANUAL, HOOK-IN**

Pos No.	Parts No	Parts Name	Qty	Unit	Technical Data	Serial No (Start)	Seri
1	36401545010	CASE	1				
2	36401545020	GEAR (TO)	1				
3	36401545030	SHAFT (TO)	1				
4	36400095040	SHAFT	1				
5	36400095050	COLLAR	1				
6	36401545080	GEAR	1				
7	36400095070	COVER (BEARING)	1				
8	36400095080	PACKING (COVER)	1				
9	36400095090	SHIM	N				
10	36400095100	SHIFTER ASSY	1				
11	36400095110	PACKING	1				
12	80500006206	BEARING,BALL	2				
13	36400095120	BEARING	2				
14	80602110520	RING,RITAINING	2		R52		
15	91206030005	SEAL,OIL	1				
16	90101206012	BOLT	1		M6X12		
17	36400095130	WASHER	1				
18	90191208020	BOLT	4		M8X20		
19	90191208014	BOLT	3		M8X14		
20	90302040801	WASHER,SPRING	7		8		
21	36401545040	SPACER	1				
22	36401545050	PACKING	2				
23	90191210035	BOLT	4		M10X35		
24	36401545060	BOLT	4				
25	90267201000	NUT	4		M10		
26	90302041001	WASHER,SPRING	8		10		
28	31790680100	SUPPORT	1				
29	90191208025	BOLT	2		M8X25		
50	36401540000	POWER TAKE OFF	1				
100	31792040000	POWER TAKE OFF	1				

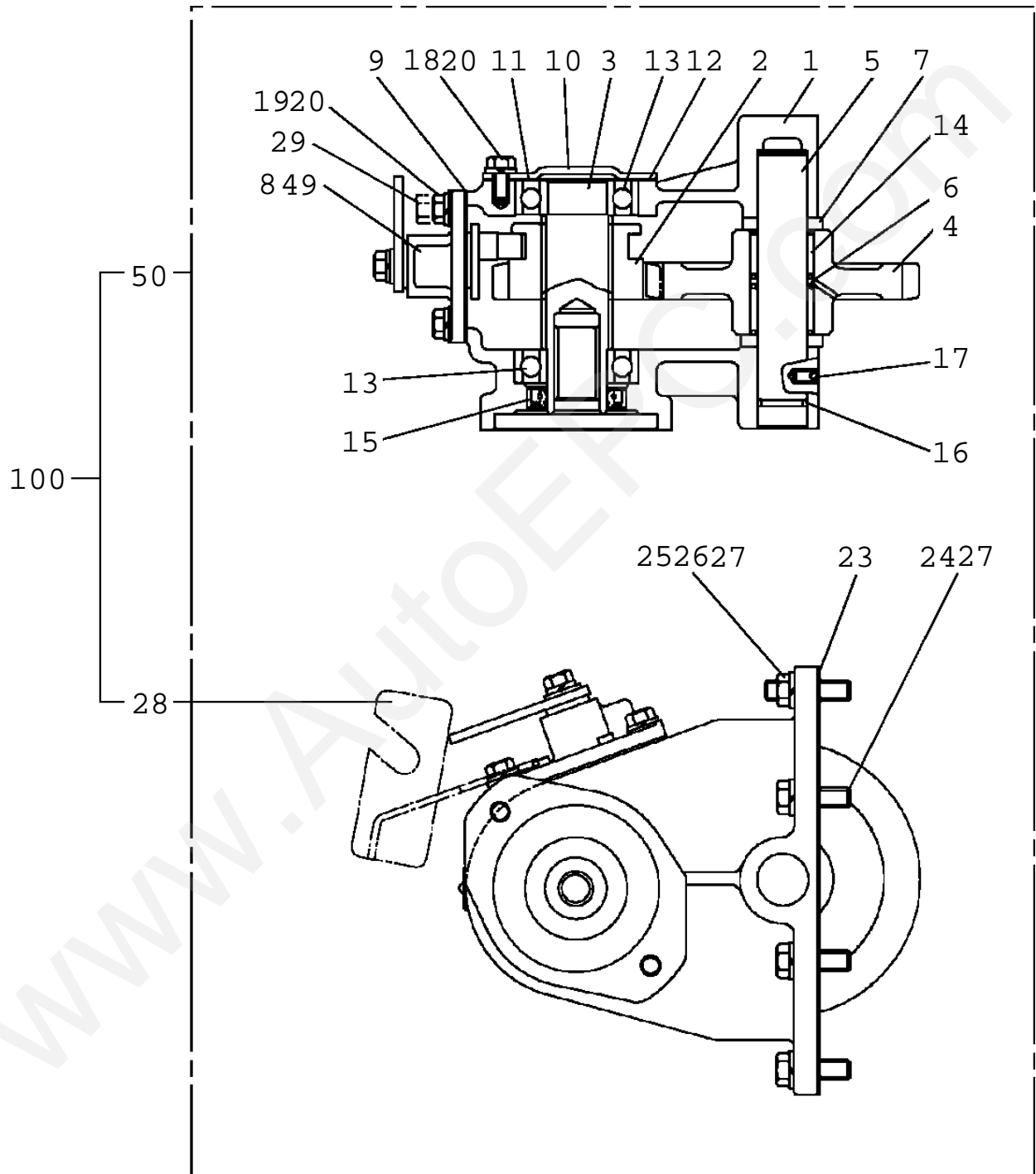
TM-ZR300 31014010170A FRAME/SL, MANUAL, HOOK-IN  
PB1030159-01 POWER TAKE OFF



**TM-ZR300 31014010170A FRAME/SL,MANUAL,HOOK-IN**

Pos No.	Parts No	Parts Name	Qty	Unit	Technical Data	Serial No (Start)	Seri
1	36401545010	CASE	1				
2	36401545020	GEAR (TO)	1				
3	36401545030	SHAFT (TO)	1				
4	36400095040	SHAFT	1				
5	36400095050	COLLAR	1				
6	36401545080	GEAR	1				
7	36400095070	COVER (BEARING)	1				
8	36400095080	PACKING (COVER)	1				
9	36400095090	SHIM	N				
10	36400095100	SHIFTER ASSY	1				
11	36400095110	PACKING	1				
12	80500006206	BEARING,BALL	2				
13	36400095120	BEARING	2				
14	80602110520	RING,RITAINING	2		R52		
15	91206030005	SEAL,OIL	1				
16	90101206012	BOLT	1		M6X12		
17	36400095130	WASHER	1				
18	90191208020	BOLT	4		M8X20		
19	90191208014	BOLT	3		M8X14		
20	90302040801	WASHER,SPRING	7		8		
21	36401545040	SPACER	1				
22	36401545050	PACKING	2				
23	90191210035	BOLT	4		M10X35		
24	36401545060	BOLT	4				
25	90267201000	NUT	4		M10		
26	90302041001	WASHER,SPRING	8		10		
28	31790880100	SUPPORT	1				
29	90191208025	BOLT	2		M8X25		
50	36401560000	POWER TAKE OFF	1				
100	31792050000	POWER TAKE OFF	1				

TM-ZR300 31014010170A FRAME/SL, MANUAL, HOOK-IN  
PB1030175-01 POWER TAKE OFF

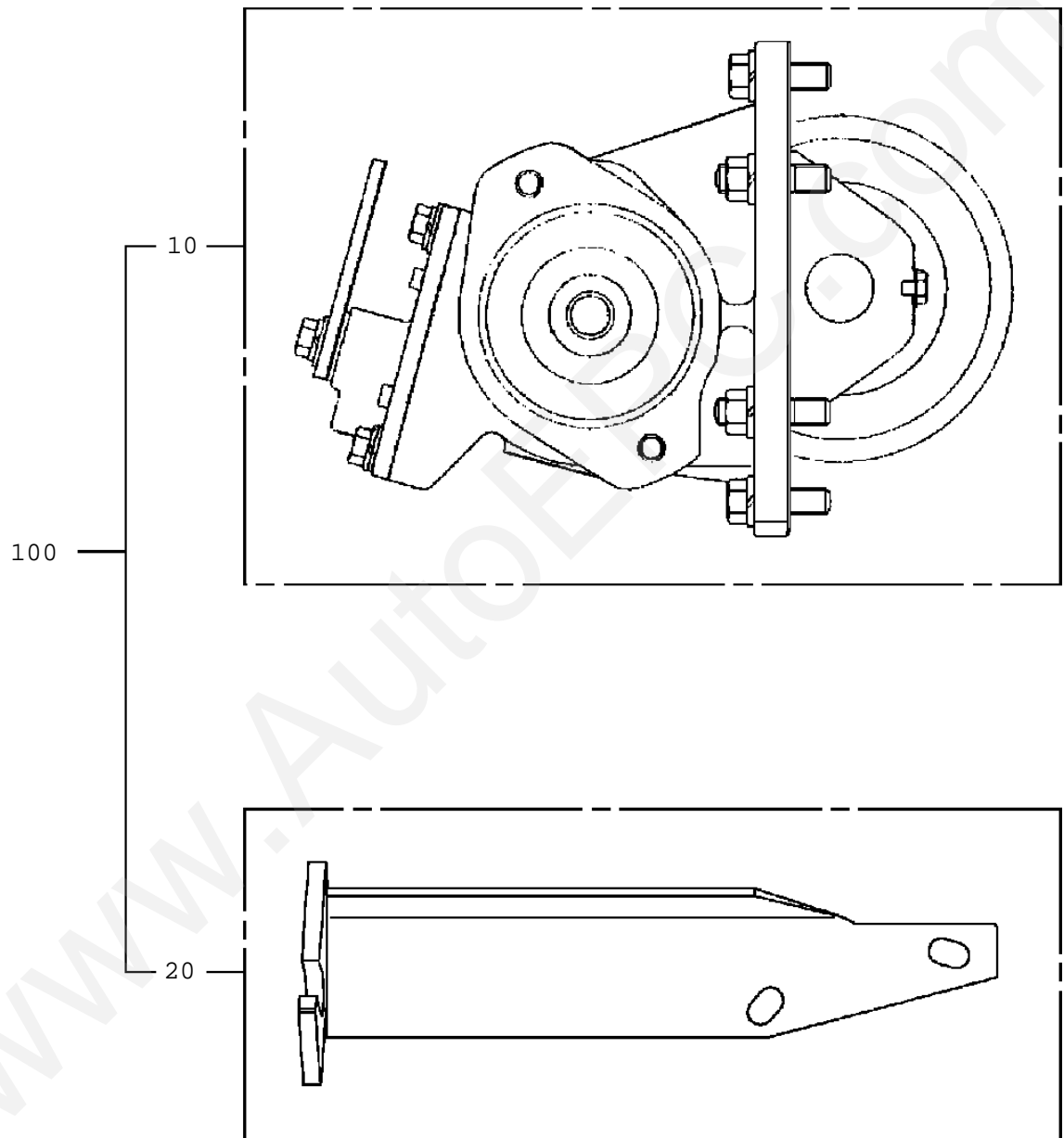




**TM-ZR300 31014010170A FRAME/SL, MANUAL, HOOK-IN**

Pos No.	Parts No	Parts Name	Qty	Unit	Technical Data	Serial No (Start)	Ser
1	36400895010	CASE	1				
2	36401115010	GEAR	1				
3	36400895030	SHAFT	1				
4	36401115020	GEAR	1				
5	36400415050	SHAFT	1				
6	36400415060	COLLAR	1				
7	36400215070	COLLAR	2				
8	36400225110	SHIFTER SET	1				
9	36400095110	PACKING	1				
10	36400095070	COVER (BEARING)	1				
11	36400095080	PACKING (COVER)	1				
12	36400095090	SHIM	N				
13	80500006206	BEARING, BALL	2				
14	36400415090	BEARING, NEEDLE	2				
15	91206030005	SEAL, OIL	1				
16	91001102100	O-RING	1		1A P21		
17	90710006120	SCREW, SET	1		M6X12		
18	90191208014	BOLT	3		M8X14		
19	90191208020	BOLT	4		M8X20		
20	90302040801	WASHER, SPRING	7		8		
23	36400415100	PACKING (CASE)	1				
24	90191210030	BOLT	6		M10X30		
25	36400095150	BOLT, STUD	2		M10X1.25/1.5X43		
26	90267201000	NUT	2		M10		
27	90302041001	WASHER, SPRING	8		10		
28	31790870100	SUPPORT	1				
29	90191208025	BOLT	2		M8X25		
49	36400225160	SEAL, OIL	1				
50	36401500001	POWER TAKE OFF	1				
100	31791270000	POWER TAKE OFF	1				

TM-ZR300 31014010170A FRAME/SL, MANUAL, HOOK-IN  
PB1030186-02 POWER TAKE OFF

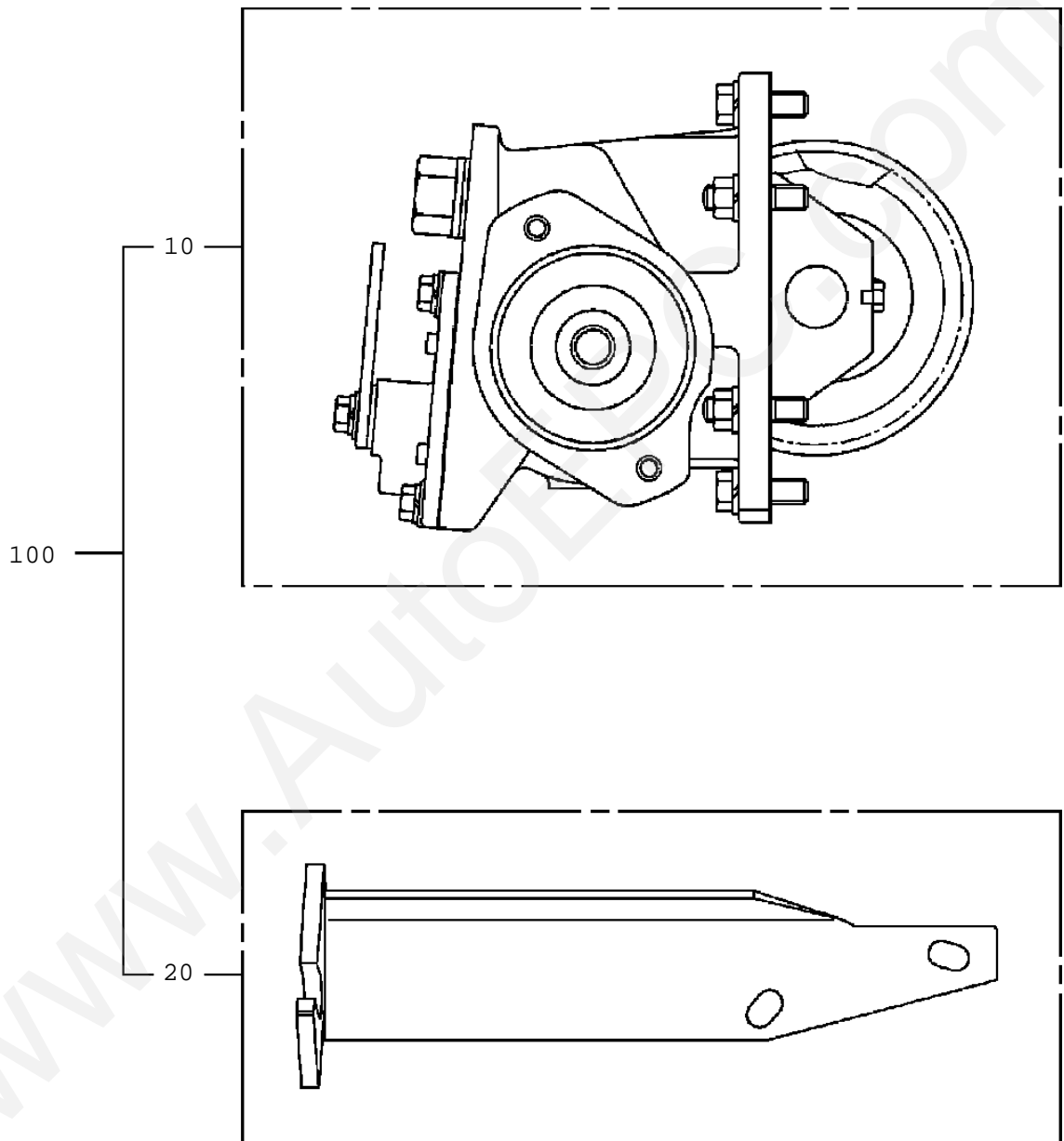


**TM-ZR300 31014010170A FRAME/SL,MANUAL,HOOK-IN**

Pos No.	Parts No	Parts Name	Qty	Unit	Technical Data	Serial No (Start)	Serial No (End)
10	36401670000	POWER TAKE OFF	1				
20	31791060100	SUPPORT	1				
100	31791060000	POWER TAKE OFF	1				

www.AutoEPC.com

TM-ZR300 31014010170A FRAME/SL, MANUAL, HOOK-IN  
PB1030189-02 POWER TAKE OFF

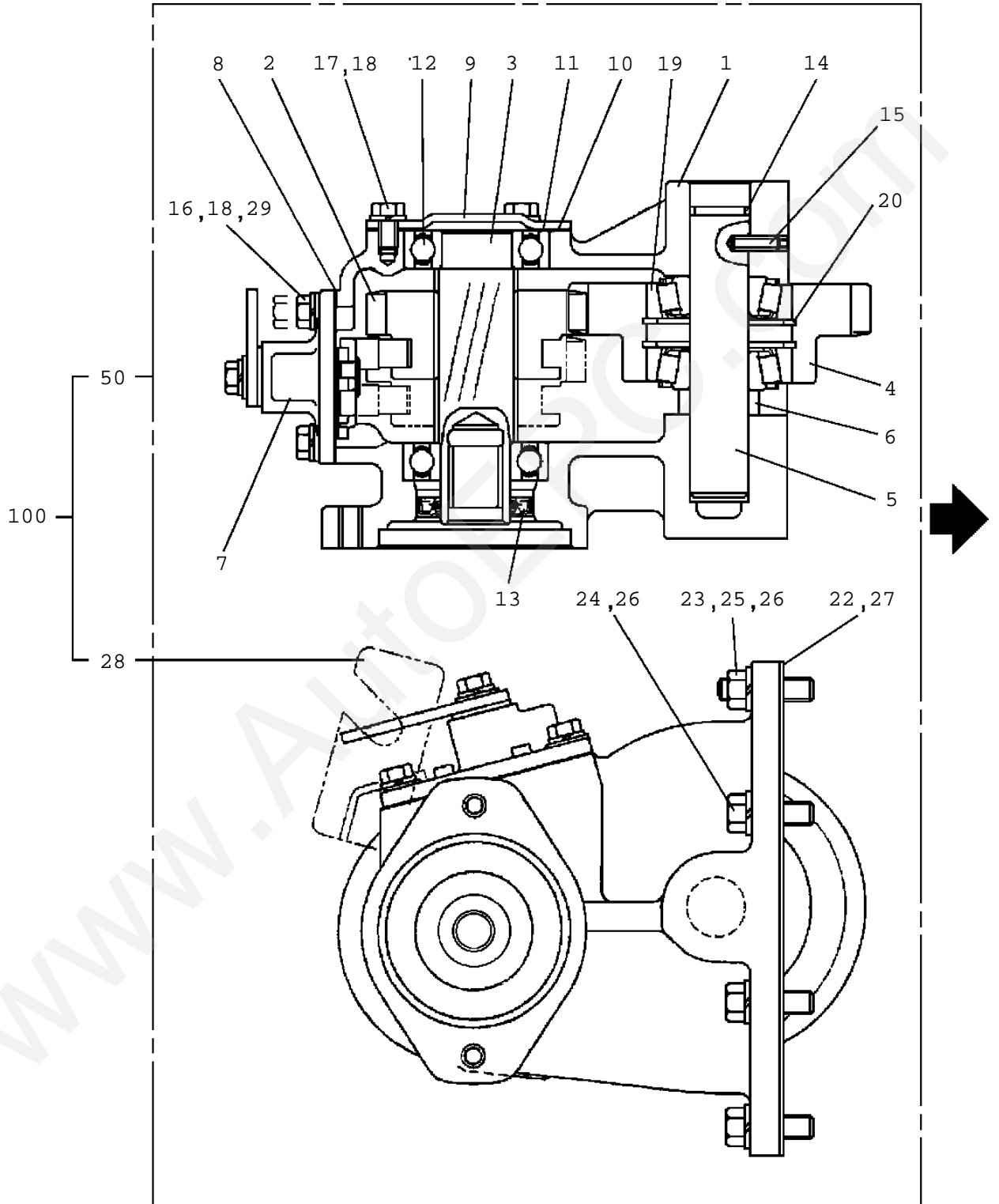


**TM-ZR300 31014010170A FRAME/SL,MANUAL,HOOK-IN**

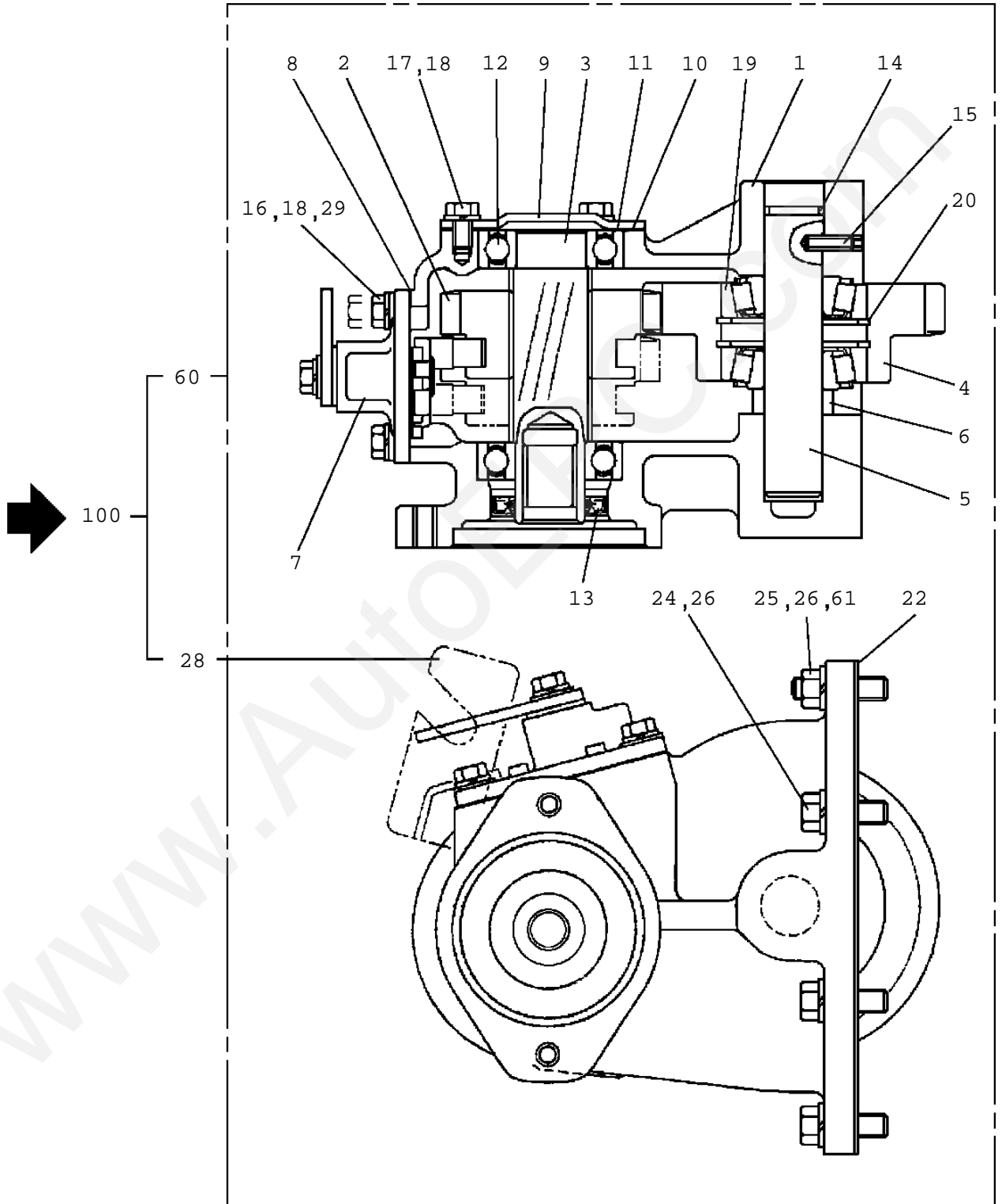
Pos No.	Parts No	Parts Name	Qty	Unit	Technical Data	Serial No (Start)	Serial No (End)
10	36401840000	POWER TAKE OFF	1				
20	31791140100	SUPPORT	1				
100	31791140000	POWER TAKE OFF	1				

www.AutoEPC.com

TM-ZR300 31014010170A FRAME/SL, MANUAL, HOOK-IN  
PB1030208-01 POWER TAKE OFF



TM-ZR300 31014010170A FRAME/SL, MANUAL, HOOK-IN  
PB1030208-01 POWER TAKE OFF

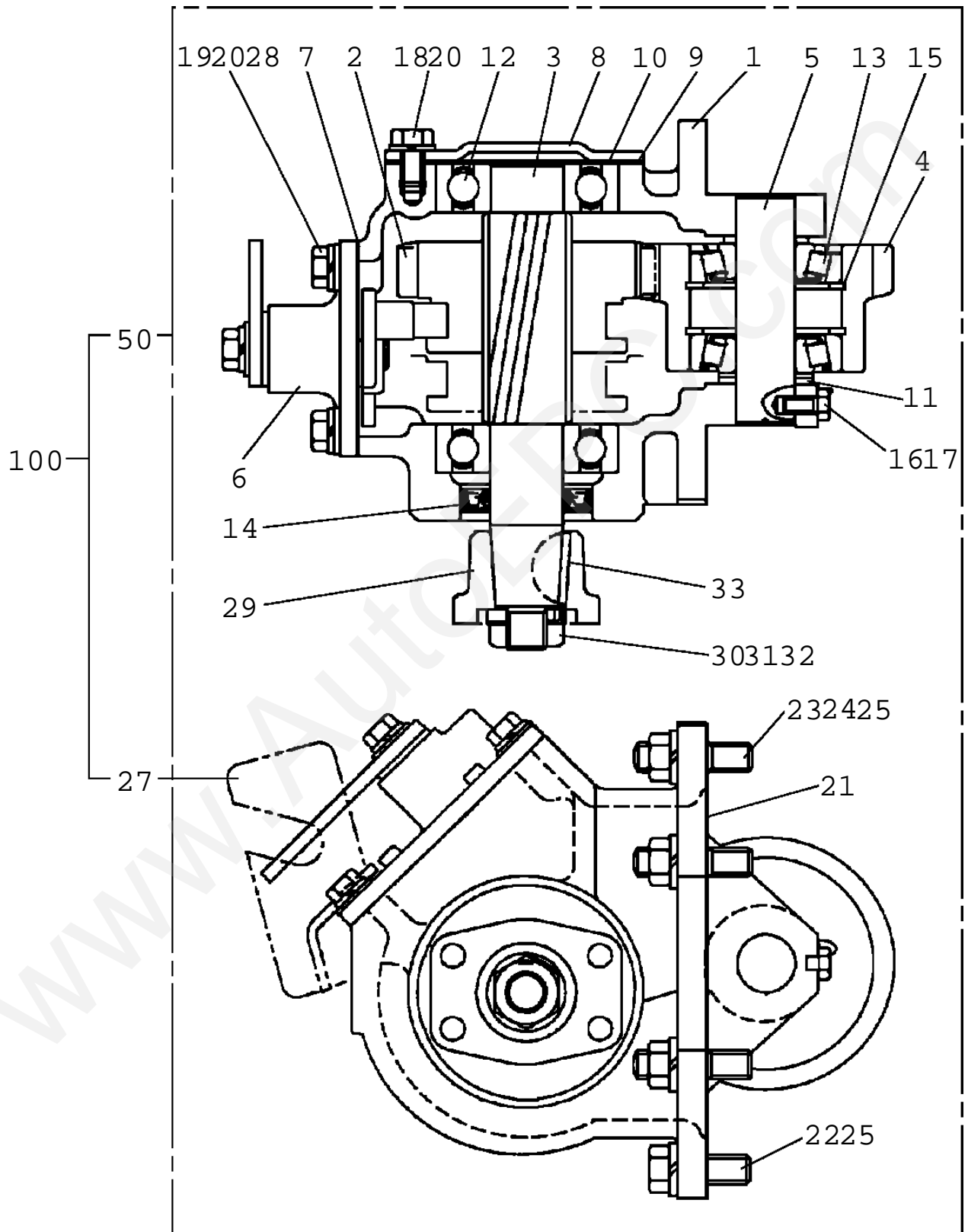


**TM-ZR300 31014010170A FRAME/SL, MANUAL, HOOK-IN**

Pos No.	Parts No	Parts Name	Qty	Unit	Technical Data	Serial No (Start)
1	36401895070	CASE	1			
2	36401885020	GEAR	1			
3	36400915030	SHAFT	1			
4	36401885030	GEAR	1			
5	36400415050	SHAFT	1			
6	36400675030	COLLAR	1			
7	36400095100	SHIFTER ASSY	1			
8	36400095110	PACKING	1			
9	36400095070	COVER (BEARING)	1			
10	36400095080	PACKING (COVER)	1			
11	36400095090	SHIM	N			
	36400095090	SHIM	N			ES7425
12	80500006206	BEARING, BALL	2			
13	91206030005	SEAL, OIL	1			
14	91001102100	O-RING	1		1A P21	
15	90710006200	SCREW, SET	1		M6X20	
16	90191208020	BOLT	4		M8X20	
17	90191208014	BOLT	3		M8X14	
18	90302040801	WASHER, SPRING	7		8	
19	36400135070	BEARING	2			
20	80602110620	RING, RETAINING	2		R62	
22	36401885050	PACKING	2			
	36401885050	PACKING	1			ES7425
23	36400095150	BOLT, STUD	2		M10X1.25/1.5X43	
24	90191210030	BOLT	5		M10X30	
	90191210030	BOLT	6		M10X30	ES7425
25	90267201000	NUT	2		M10	
26	90302041001	WASHER, SPRING	8		10	
28	31790670100	SUPPORT	1			
29	90191208025	BOLT	2		M8X25	
50	36401960000	POWER TAKE OFF	1			
60	36402100000	POWER TAKE OFF ASSY	1			ES7425
61	36401695040	BOLT, STUD	2		M10X1.25/1.5X47	ES7425
100	31791240000	POWER TAKE OFF	1			



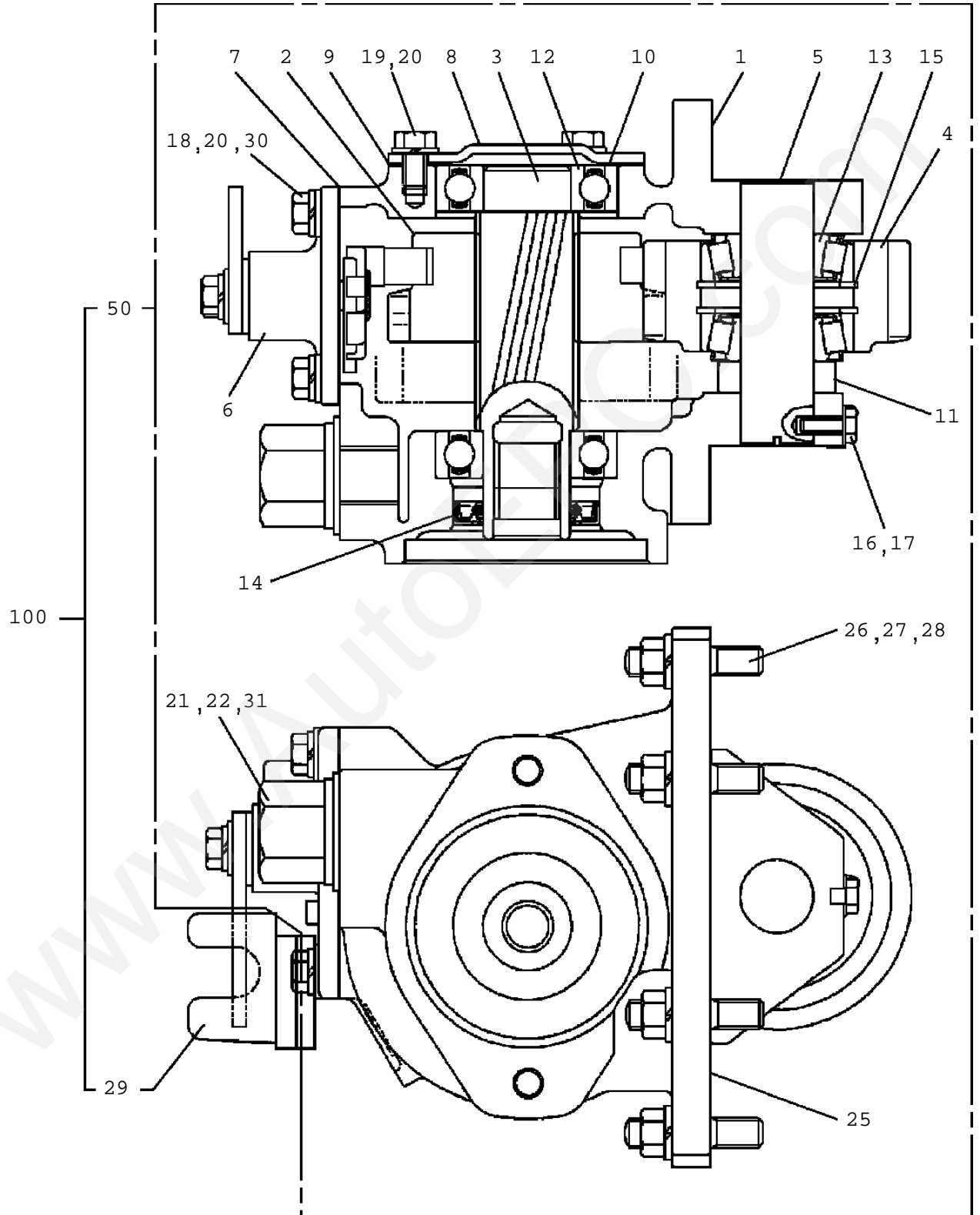
TM-ZR300 31014010170A FRAME/SL, MANUAL, HOOK-IN  
PB1030213-00 POWER TAKE OFF



**TM-ZR300 31014010170A FRAME/SL,MANUAL,HOOK-IN**

Pos No.	Parts No	Parts Name	Qty	Unit	Technical Data	Serial No (Start)	Seri
1	36401405010	CASE	1				
2	36400455020	GEAR	1				
3	36401405020	SHAFT	1				
4	36400455040	GEAR	1				
5	36400095040	SHAFT	1				
6	36400095100	SHIFTER ASSY	1				
7	36400095110	PACKING	1				
8	36400095070	COVER (BEARING)	1				
9	36400095080	PACKING (COVER)	1				
10	36400095090	SHIM	N				
11	36400095050	COLLAR	1				
12	80500006305	BEARING,BALL	2				
13	36400095120	BEARING	2				
14	91216025003	SEAL,OIL	1				
15	80602110520	RING,RITAINING	2		R52		
16	90101206012	BOLT	1		M6X12		
17	36400095130	WASHER	1				
18	90191208014	BOLT	3		M8X14		
19	90191208020	BOLT	4		M8X20		
20	90302040801	WASHER,SPRING	7		8		
21	36400055070	PACKING	1				
22	90193210025	BOLT	3		M10X25		
23	36400195030	BOLT,STUD	3				
24	90267201000	NUT	3		M10		
25	90302041001	WASHER,SPRING	6		10		
27	31790710100	SUPPORT	1				
28	90191208025	BOLT	2		M8X25		
29	36401405100	COUPLING	1				
30	31790545020	NUT	1				
31	31790545030	WASHER	1				
32	31790545040	WASHER	1				
33	36401975030	KEY	1		7X25		
50	36401400000	POWER TAKE OFF	1				
100	31792010000	POWER TAKE OFF	1				

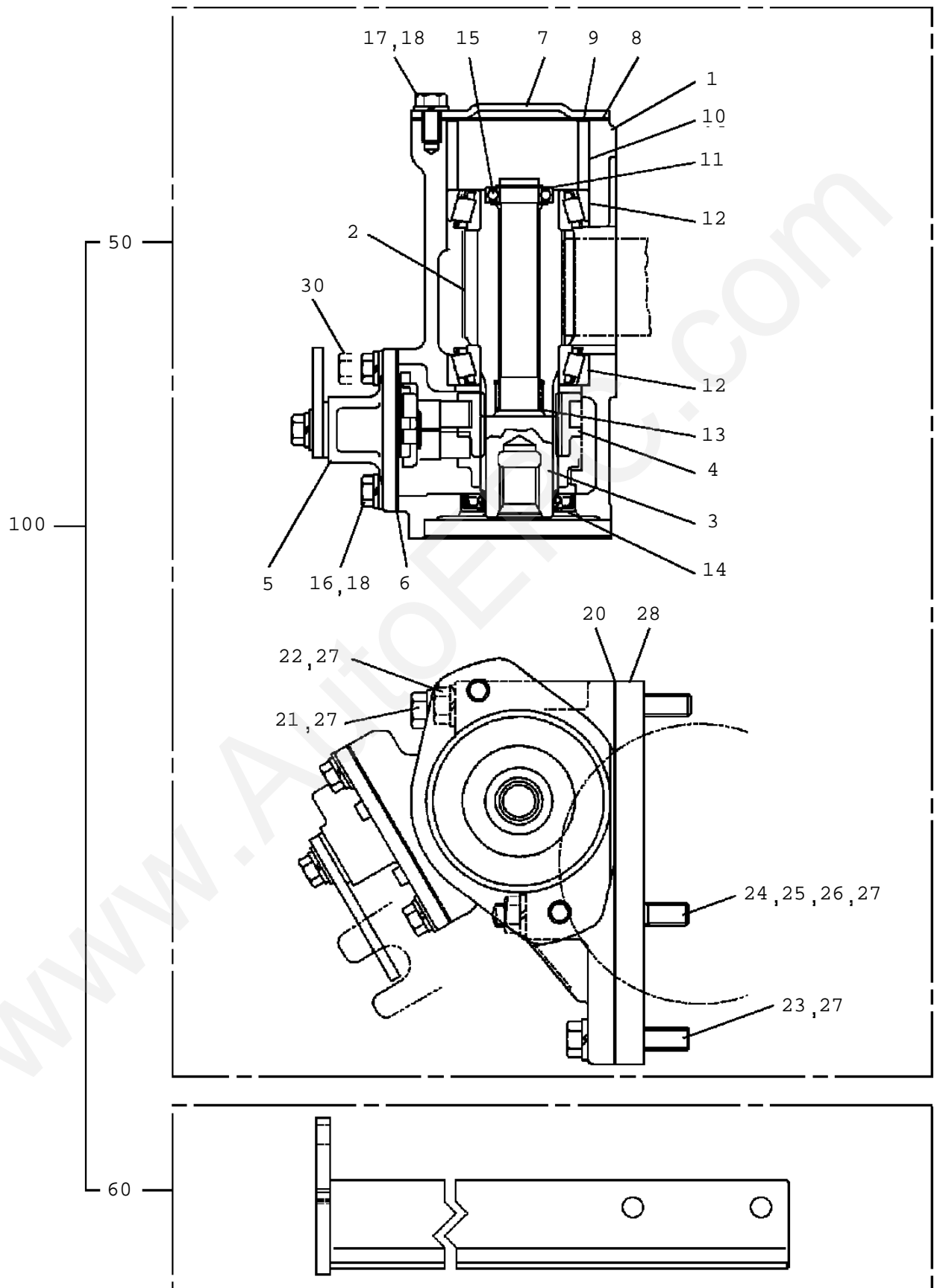
TM-ZR300 31014010170A FRAME/SL, MANUAL, HOOK-IN  
PB1030233-00 POWER TAKE OFF



**TM-ZR300 31014010170A FRAME/SL,MANUAL,HOOK-IN**

Pos No.	Parts No	Parts Name	Qty	Unit	Technical Data	Serial No (Start)
1	36400845060	CASE	1			
2	36402465010	GEAR	1			
3	36400845030	SHAFT	1			
4	36402465020	GEAR	1			
5	36400395050	SHAFT	1			
6	36400095100	SHIFTER ASSY	1			
7	36400095110	PACKING	1			
8	36400095070	COVER (BEARING)	1			
9	36400095080	PACKING (COVER)	1			
10	36400095090	SHIM	N			
11	36400675030	COLLAR	1			
12	80500006206	BEARING,BALL	2			
13	36400675050	BEARING	2			
14	91206030005	SEAL,OIL	1			
15	80602110520	RING,RITAINING	2		R52	
16	36400095150	BOLT,STUD	1		M10X1.25/1.5X43	
17	90101206015	BOLT	1		M6X15	
18	90191208020	BOLT	4		M8X20	
19	90191208014	BOLT	3		M8X14	
20	90302040801	WASHER,SPRING	7		8	
21	36401025060	PLUG	1			
22	36401025070	WASHER,PLAIN	1			
25	36401025100	PACKING	1			
26	36401695040	BOLT,STUD	6		M10X1.25/1.5X47	
27	90267201000	NUT	6		M10	
28	90302041001	WASHER,SPRING	6		10	
29	31790770100	SUPPORT	1			
30	90191208025	BOLT	2		M8X25	
31	36401025120	NUT (REINFORCER)	1			
50	36402460000	POWER TAKE OFF ASSY	1			
100	31792360000	POWER TAKE OFF	1			

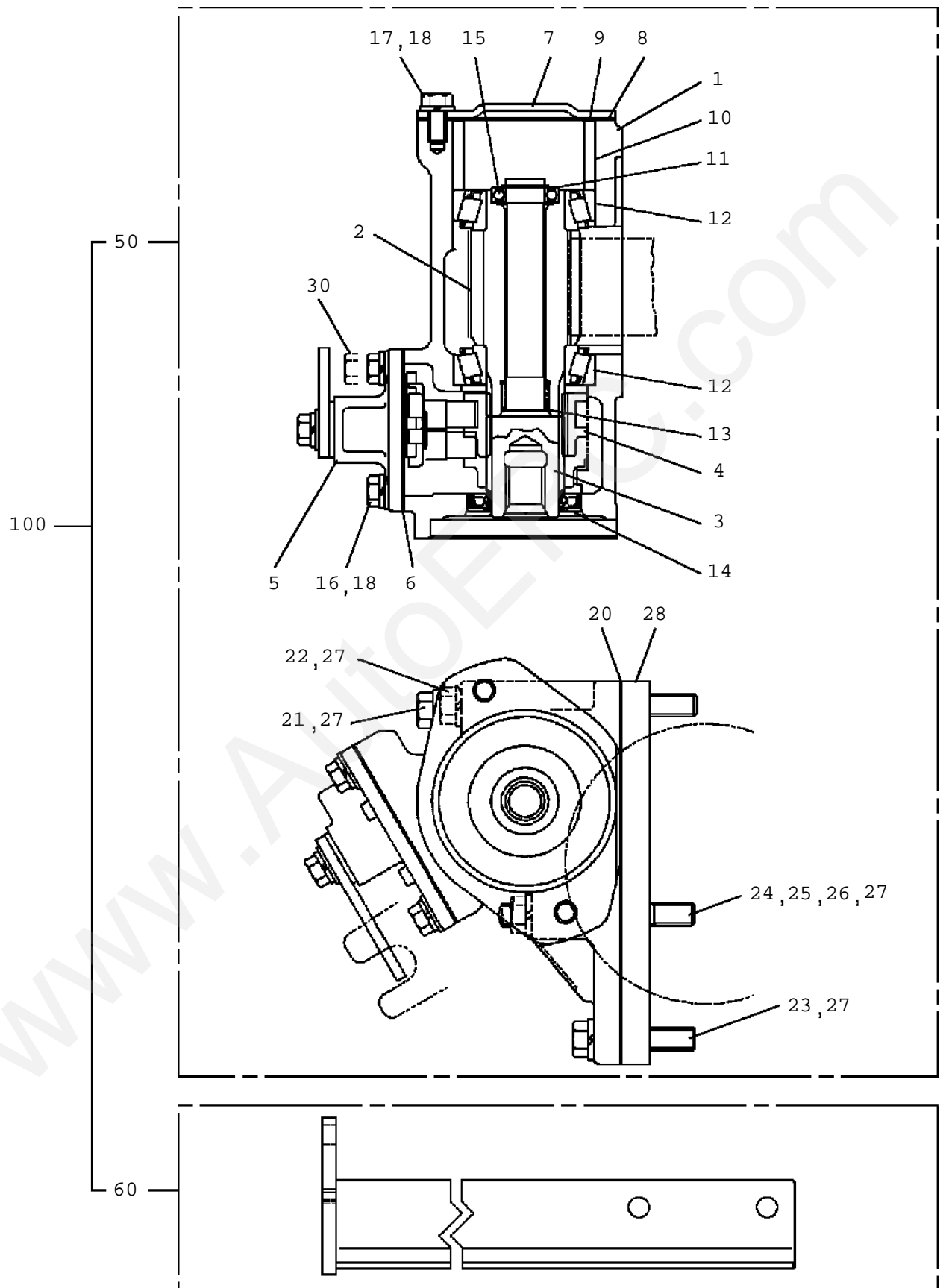
TM-ZR300 31014010170A FRAME/SL, MANUAL, HOOK-IN  
PB1030234-00 POWER TAKE OFF



**TM-ZR300 31014010170A FRAME/SL,MANUAL,HOOK-IN**

Pos No.	Parts No	Parts Name	Qty	Unit	Technical Data	Serial No (Start)
1	36402470510	CASE	1			
2	36402470520	GEAR	1			
3	36402470530	SHAFT	1			
4	36401125040	SLEEVE	1			
5	36401125050	SHIFTER SET	1			
6	36400095110	PACKING	1			
7	36400095070	COVER (BEARING)	1			
8	36400095080	PACKING (COVER)	1			
9	36400095090	SHIM	N			
10	36402470540	COLLAR	1			
11	80500006903	BEARING,BALL	1			
12	36401125080	BEARING,ROLLER	2			
13	36401125090	BEARING,NEEDLE	1			
14	91206030005	SEAL,OIL	1			
15	36401125100	RING,RETAINING	1			
16	90191208020	BOLT	4		M8X20	
17	90191208014	BOLT	3		M8X14	
18	90302040801	WASHER,SPRING	7		8	
20	36402015020	PACKING	2			
21	36402035040	BOLT	1		M10X1.5X120	
22	36402035050	BOLT	1		M10X1.5X110	
23	90191210050	BOLT	2		M10X50	
24	36402035010	BOLT,STUD	1			
25	36402035020	BOLT,STUD	1			
26	90267201000	NUT	2		M10	
27	90302041001	WASHER,SPRING	6		10	
28	36402470550	SPACER	1			
30	90191208025	BOLT	2		M8X25	
50	36402470000	POWER TAKE OFF ASSY	1			
60	31790990100	SUPPORT	1			
100	31792370000	POWER TAKE OFF	1			

TM-ZR300 31014010170A FRAME/SL, MANUAL, HOOK-IN  
PB1030235-00 POWER TAKE OFF

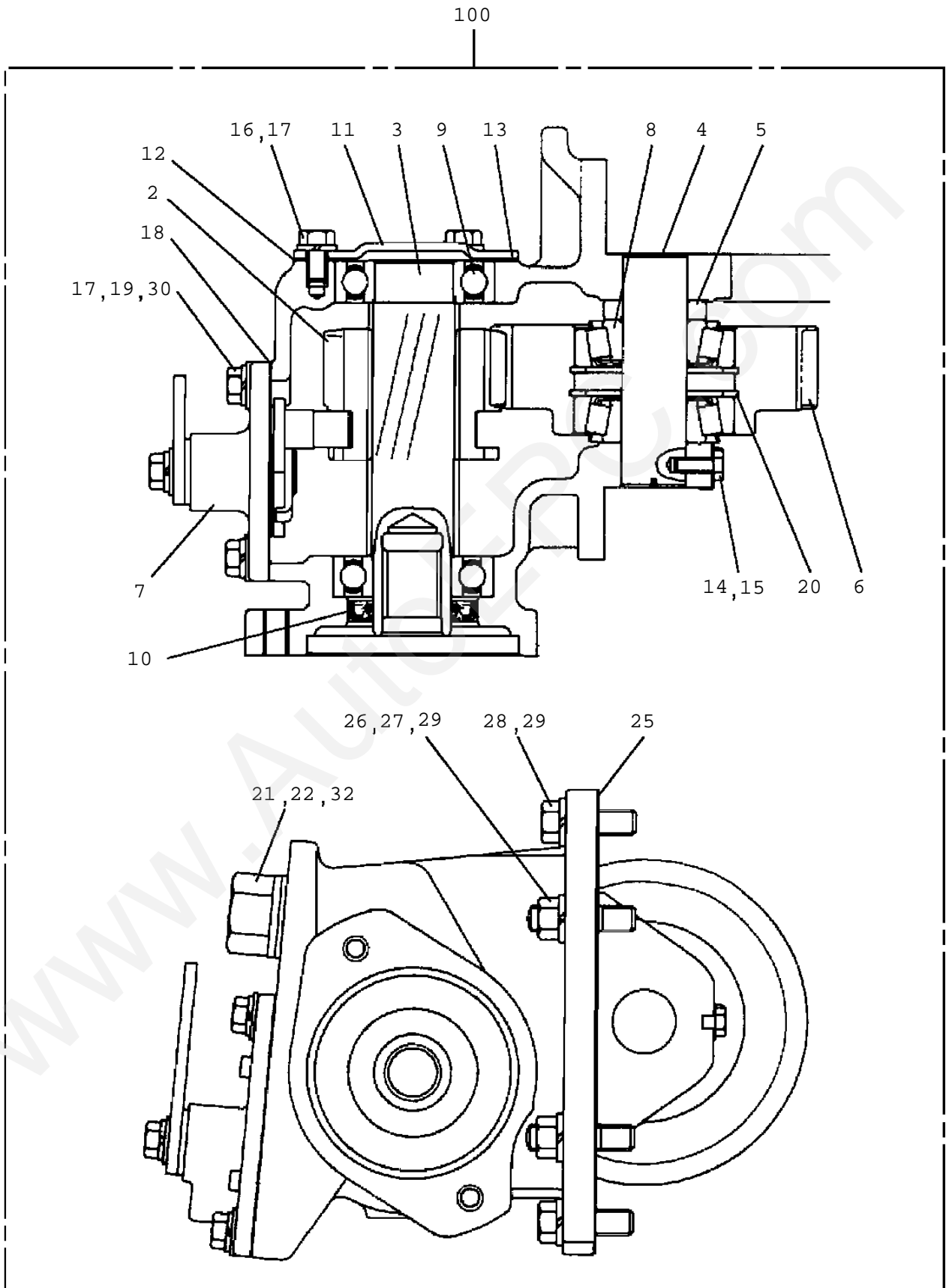


**TM-ZR300 31014010170A FRAME/SL, MANUAL, HOOK-IN**

Pos No.	Parts No	Parts Name	Qty	Unit	Technical Data	Serial No (Start)
1	36402470510	CASE	1			
2	36402470520	GEAR	1			
3	36402480510	SHAFT	1			
4	36401125040	SLEEVE	1			
5	36401125050	SHIFTER SET	1			
6	36400095110	PACKING	1			
7	36400095070	COVER (BEARING)	1			
8	36400095080	PACKING (COVER)	1			
9	36400095090	SHIM	N			
10	36402470540	COLLAR	1			
11	80500006903	BEARING, BALL	1			
12	36401125080	BEARING, ROLLER	2			
13	36401125090	BEARING, NEEDLE	1			
14	91206030005	SEAL, OIL	1			
15	36401125100	RING, RETAINING	1			
16	90191208020	BOLT	4		M8X20	
17	90191208014	BOLT	3		M8X14	
18	90302040801	WASHER, SPRING	7		8	
20	36402015020	PACKING	2			
21	36402035040	BOLT	1		M10X1.5X120	
22	36402035050	BOLT	1		M10X1.5X110	
23	90191210050	BOLT	2		M10X50	
24	36402035010	BOLT, STUD	1			
25	36402035020	BOLT, STUD	1			
26	90267201000	NUT	2		M10	
27	90302041001	WASHER, SPRING	6		10	
28	36402470550	SPACER	1			
30	90191208025	BOLT	2		M8X25	
50	36402480000	POWER TAKE OFF ASSY	1			
60	31790990100	SUPPORT	1			
100	31792380000	POWER TAKE OFF	1			



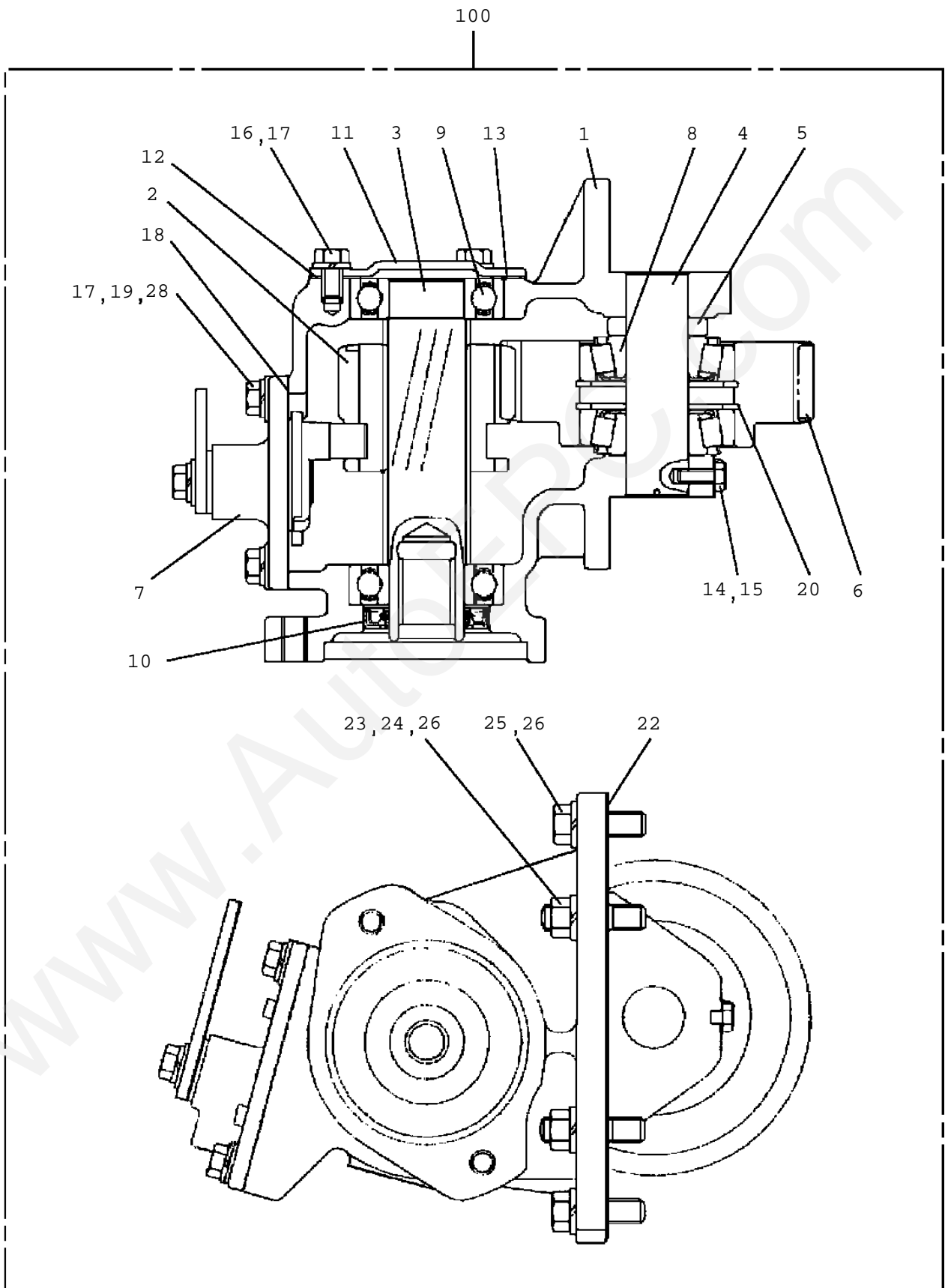
TM-ZR300 31014010170A FRAME/SL, MANUAL, HOOK-IN  
PB1030237-00 POWER TAKE OFF



**TM-ZR300 31014010170A FRAME/SL, MANUAL, HOOK-IN**

Pos No.	Parts No	Parts Name	Qty	Unit	Technical Data	Serial No (Start)	Se
2	36401675020	GEAR	1				
3	36401675030	SHAFT	1				
4	36400395050	SHAFT	1				
5	36401675040	COLLAR	1				
6	36401675050	GEAR	1				
7	36401675060	SHIFTER SET	1				
8	36400135070	BEARING	2				
9	80500006206	BEARING,BALL	2				
10	91206030005	SEAL,OIL	1				
11	36400095070	COVER (BEARING)	1				
12	36400095080	PACKING (COVER)	1				
13	36400095090	SHIM	N				
14	90101206015	BOLT	1		M6X15		
15	36400095130	WASHER	1				
16	90191208014	BOLT	3		M8X14		
17	90302040801	WASHER,SPRING	7		8		
18	36400995080	PACKING	1				
19	90191208020	BOLT	4		M8X20		
20	80602110620	RING,RITAINING	2		R62		
21	36401025060	PLUG	1				
22	36401025070	WASHER,PLAIN	1				
25	36401675080	SHIM	N				
26	36400095150	BOLT,STUD	4		M10X1.25/1.5X43		
27	90267201000	NUT	4		M10		
28	90191210030	BOLT	4		M10X30		
29	90302041001	WASHER,SPRING	8		10		
30	90191208025	BOLT	2		M8X25		
32	36401025120	NUT (REINFORCER)	1				
100	36401840000	POWER TAKE OFF	1				

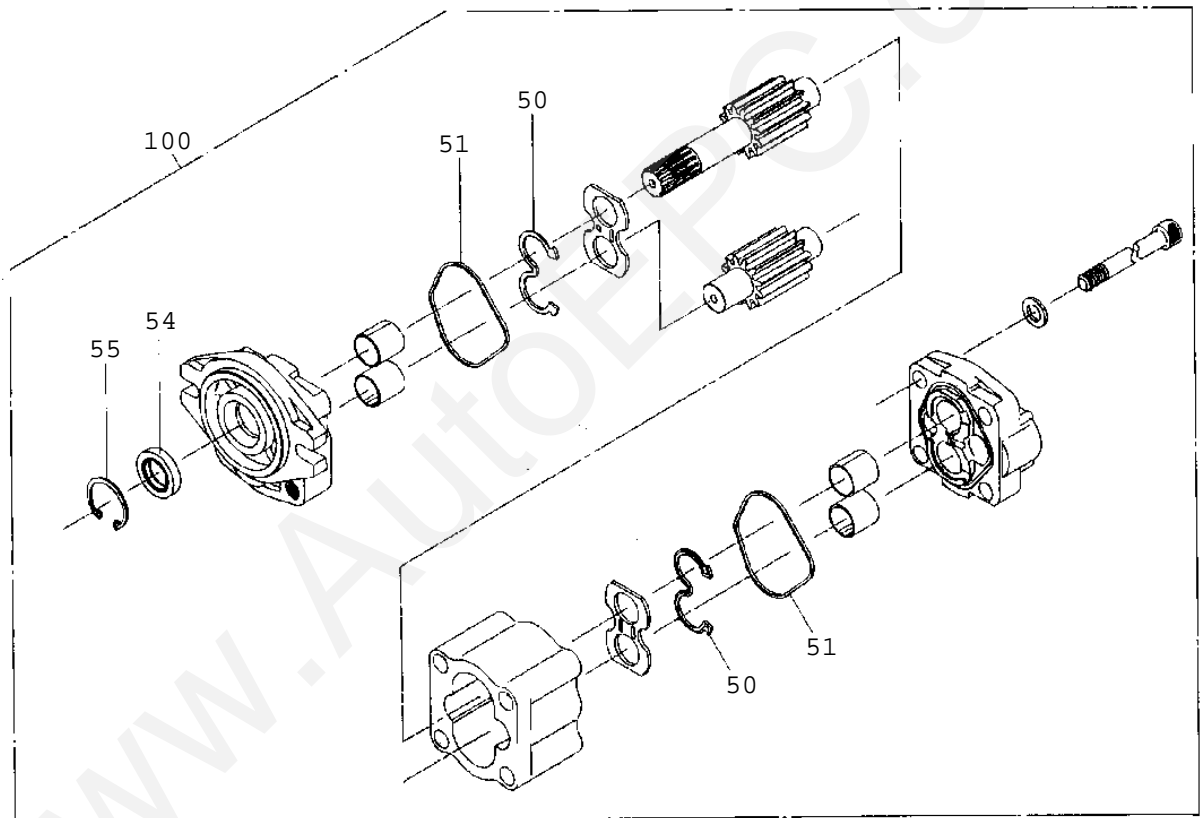
TM-ZR300 31014010170A FRAME/SL, MANUAL, HOOK-IN  
PB1030239-00 POWER TAKE OFF



**TM-ZR300 31014010170A FRAME/SL,MANUAL,HOOK-IN**

Pos No.	Parts No	Parts Name	Qty	Unit	Technical Data	Serial No (Start)	Ser
1	36401675010	CASE	1				
2	36401675020	GEAR	1				
3	36401675030	SHAFT	1				
4	36400395050	SHAFT	1				
5	36401675040	COLLAR	1				
6	36401675050	GEAR	1				
7	36401675060	SHIFTER SET	1				
8	36400135070	BEARING	2				
9	80500006206	BEARING,BALL	2				
10	91206030005	SEAL,OIL	1				
11	36400095070	COVER (BEARING)	1				
12	36400095080	PACKING (COVER)	1				
13	36400095090	SHIM	N				
14	90101206015	BOLT	1		M6X15		
15	36400095130	WASHER	1				
16	90191208014	BOLT	3		M8X14		
17	90302040801	WASHER,SPRING	7		8		
18	36400995080	PACKING	1				
19	90191208020	BOLT	4		M8X20		
20	80602110620	RING,RITAINING	2		R62		
22	36401675080	SHIM	N				
23	36400095150	BOLT,STUD	4		M10X1.25/1.5X43		
24	90267201000	NUT	4		M10		
25	90191210030	BOLT	4		M10X30		
26	90302041001	WASHER,SPRING	8		10		
28	90191208025	BOLT	2		M8X25		
100	36401670000	POWER TAKE OFF	1				

TM-ZR300 31014010170A FRAME/SL, MANUAL, HOOK-IN  
PB1100099-00 PUMP, HYDRAULIC (LEFT, SPLINE 13)

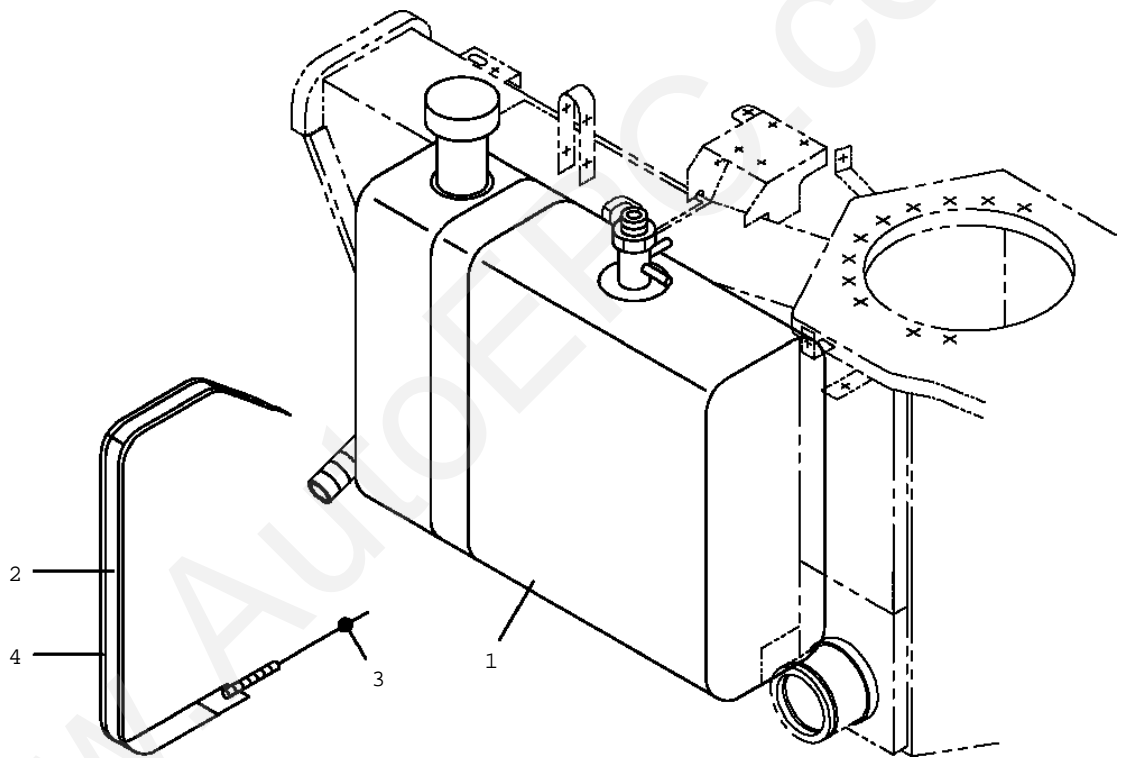


**TM-ZR300 31014010170A FRAME/SL,MANUAL,HOOK-IN**

Pos No.	Parts No	Parts Name	Qty	Unit	Technical Data	Serial
50	36652335010	GASKET	2			
51	36652335020	GASKET	2			
54	53063551010	SEAL,OIL	1			
55	80602110360	RING,RITAINING	1		R36	
100	36652900000	PUMP,HYDRAULIC (LEFT,SPLINE 13)	1			

www.AutoEPC.com

TM-ZR300 31014010170A FRAME/SL, MANUAL, HOOK-IN  
PB1130196-01 TANK, OIL (MOUNT)



**TM-ZR300 31014010170A FRAME/SL, MANUAL, HOOK-IN**

Pos No.	Parts No	Parts Name	Qty	Unit	Technical Data	Serial No (Start)	Serial No
1	36102490000	TANK,OIL	1				
2	31660530100	BAND	1				
3	90201201000	NUT	2		M10		
4	31660530200	CUSHION	1				

www.AutoEPC.com



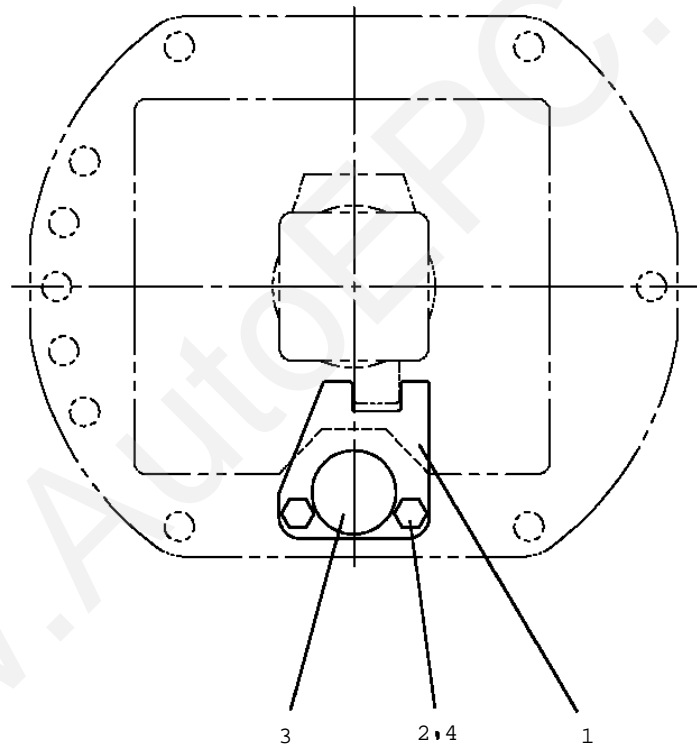


**TM-ZR300 31014010170A FRAME/SL,MANUAL,HOOK-IN**

Pos No.	Parts No	Parts Name	Qty	Unit	Technical Data	Serial No (St
2	36101895020	BREATHER ASSY (OB-10B)	1			
3	36102635010	GAUGE,OIL	1			
4	36102075020	PLUG	1			
5	91803880070	CLIP	2		D=13.1-16.2	
10	36102075030	WASHER,SEAL	1			
31	53156005010	ELEMENT (OB-10T & OB-10B)	1			
33	36101895030	RETAINER ASSY	1			
50	36102490000	TANK,OIL	1			

www.AutoEPC.com

TM-ZR300 31014010170A FRAME/SL, MANUAL, HOOK-IN  
PB1290011-00 STOPPER, ROTARY JOINT

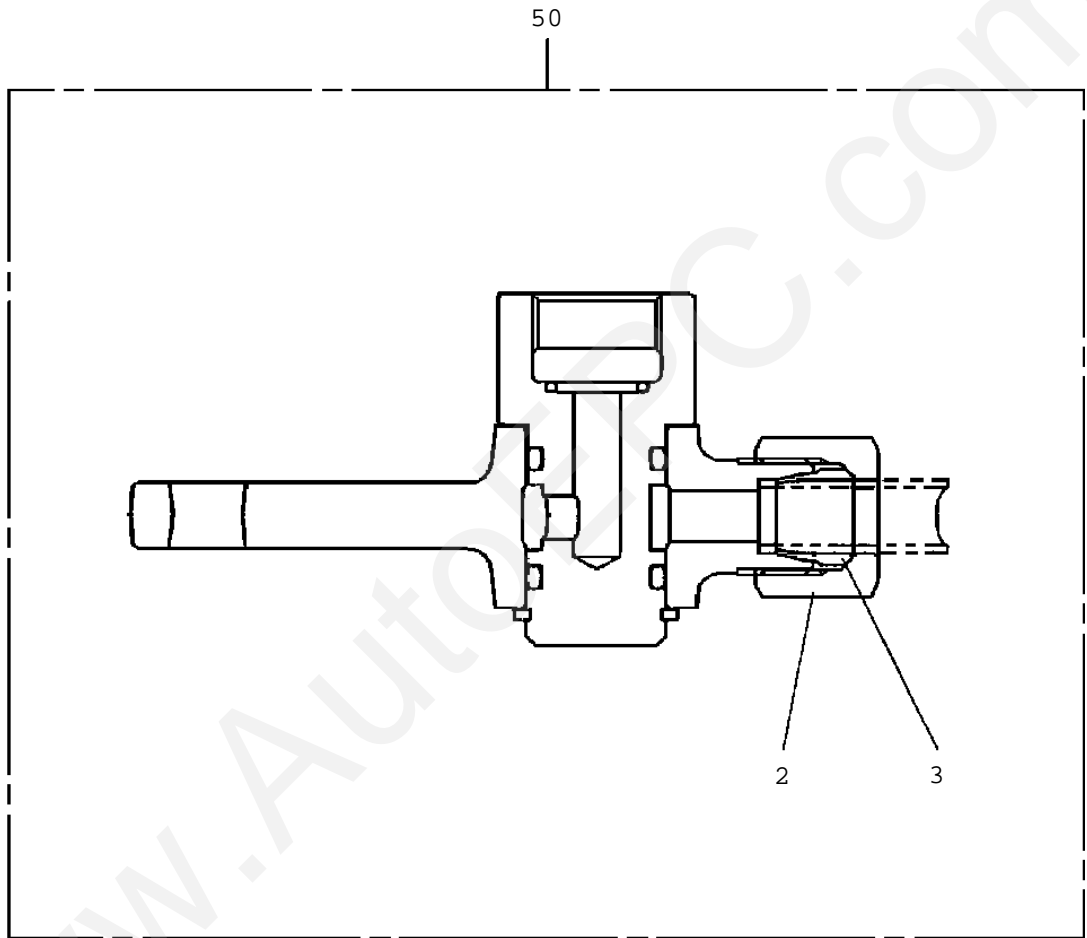


**TM-ZR300 31014010170A FRAME/SL,MANUAL,HOOK-IN**

Pos No.	Parts No	Parts Name	Qty	Unit	Technical Data	Serial No (Start)	Serial
1	31631101000	PLATE	1				KA6762
	31631101001	PLATE	1				
2	90171112022	BOLT	2		M12X22	KA6763	
3	31630482500	CAP	1				
4	90302041201	WASHER,SPRING	2		12		

www.AutoEPC.com

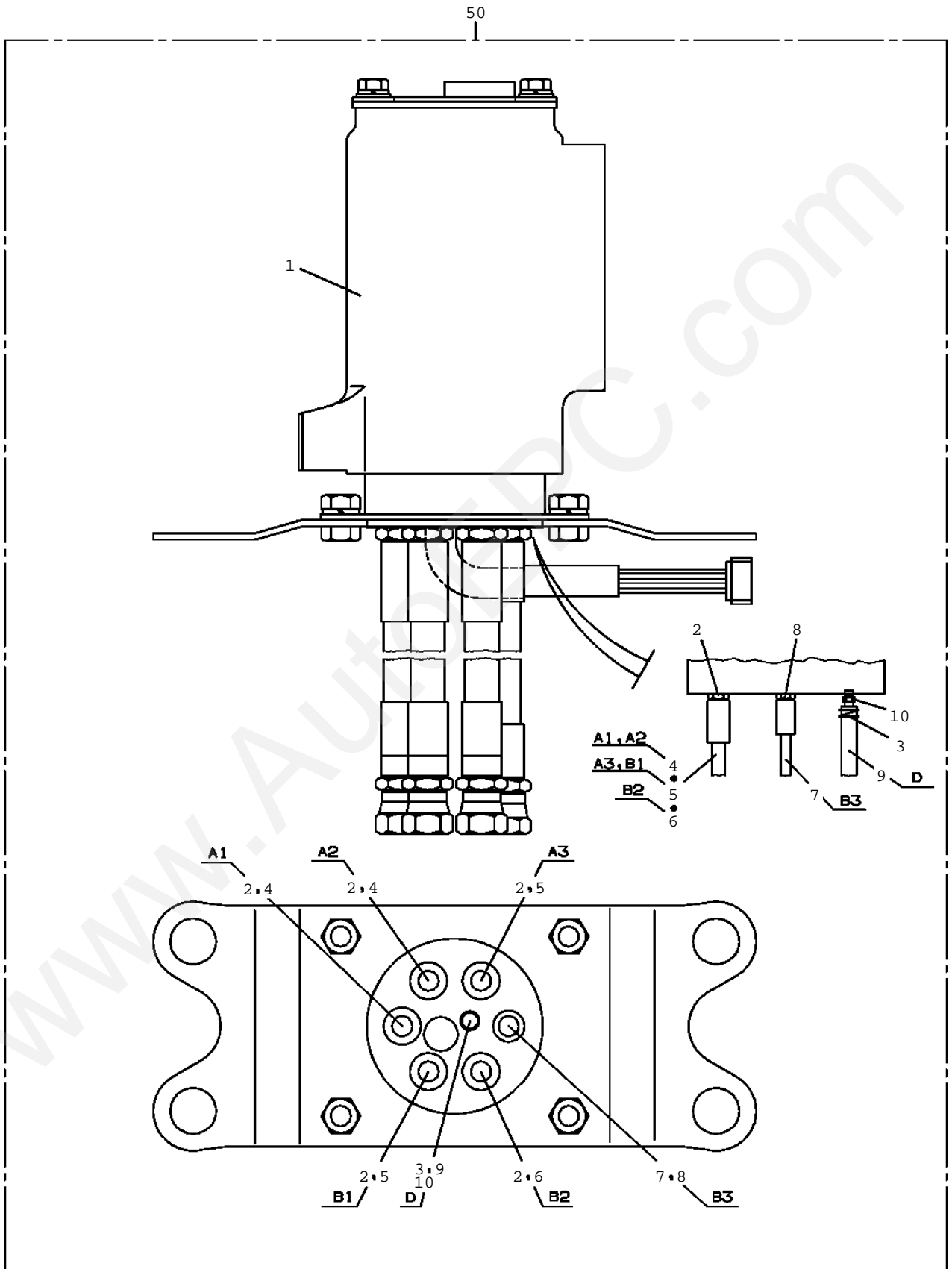
TM-ZR300 31014010170A FRAME/SL, MANUAL, HOOK-IN  
PB1300315-01 JOINT, ROTARY



**TM-ZR300 31014010170A FRAME/SL, MANUAL, HOOK-IN**

Pos No.	Parts No	Parts Name	Qty	Unit	Technical Data	Serial No (Start)	Serial :
2	80306010085	NUT	1				
3	80309010085	SLEEVE	1				
50	31644592100	JOINT, ROTARY	1				

www.AutoEPC.com



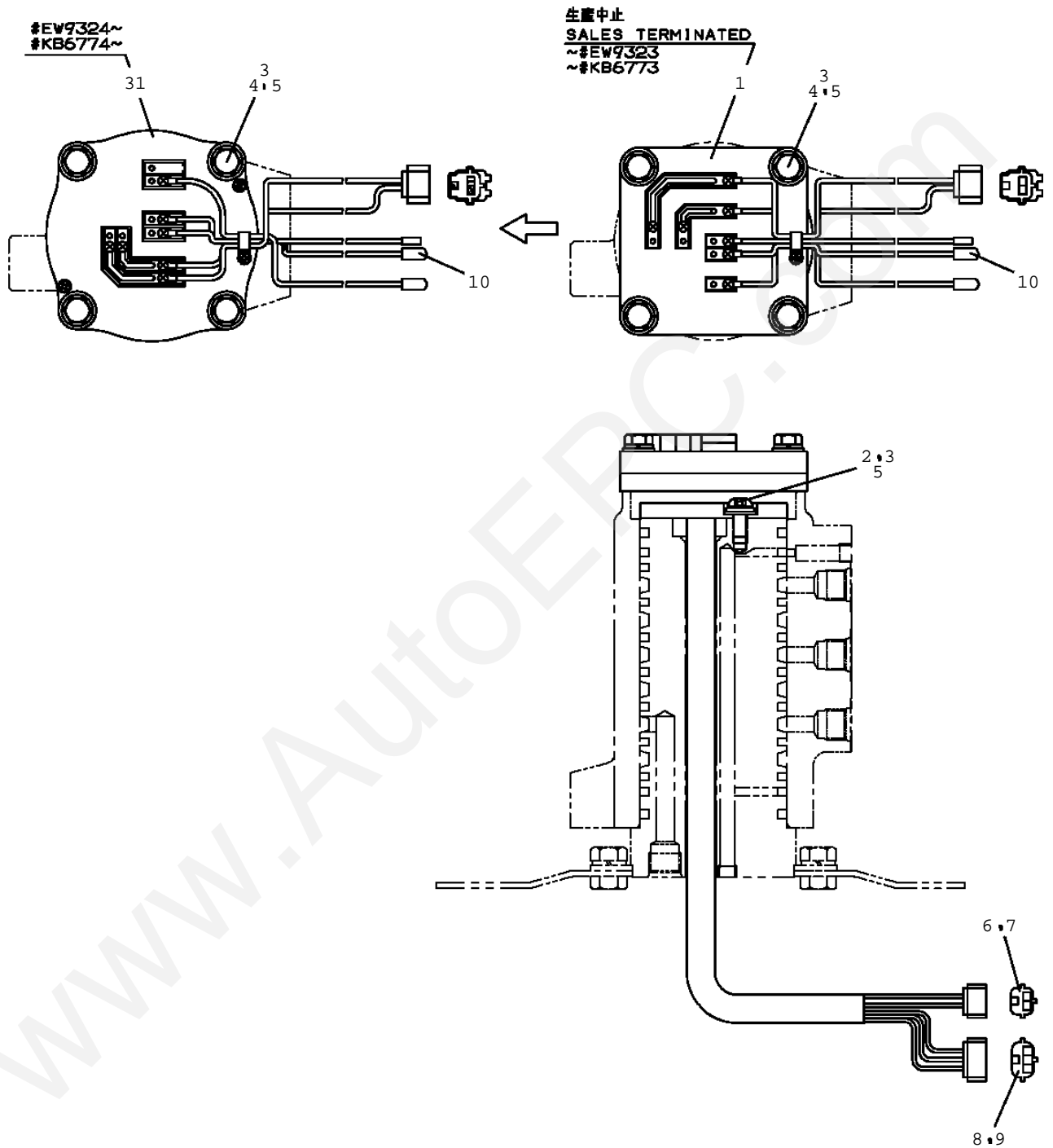
**TM-ZR300 31014010170A FRAME/SL, MANUAL, HOOK-IN**

Pos No.	Parts No	Parts Name	Qty	Unit	Technical Data	Serial No (Start)	Serial :
1	31631631000	JOINT, ROTARY	1				
2	91002801400	O-RING	5		1B P14		
3	91803600200	CLIP	1		D=13-20		
4	37002480810	HOSE	2		L=1000		
	37002439140	HOSE	2		L=1000		
5	37002480800	HOSE	2		L=930		
	37002458020	HOSE	2		L=930		
6	37002480790	HOSE	1		L=890		
	37002450960	HOSE	1		L=890		
7	37002458030	HOSE	1		L=890		
	37002480780	HOSE	1		L=890		
8	91002801100	O-RING	1		1B P11		
9	37002506230	HOSE	1		L=475		
10	31641031000	JOINT	1				
50	31631640000	JOINT, ROTARY	1				

www.AutoEPC.com



TM-ZR300 31014010170A FRAME/SL, MANUAL, HOOK-IN  
PB1300430-01 JOINT, ROTARY (RING ASSY, SLIP)

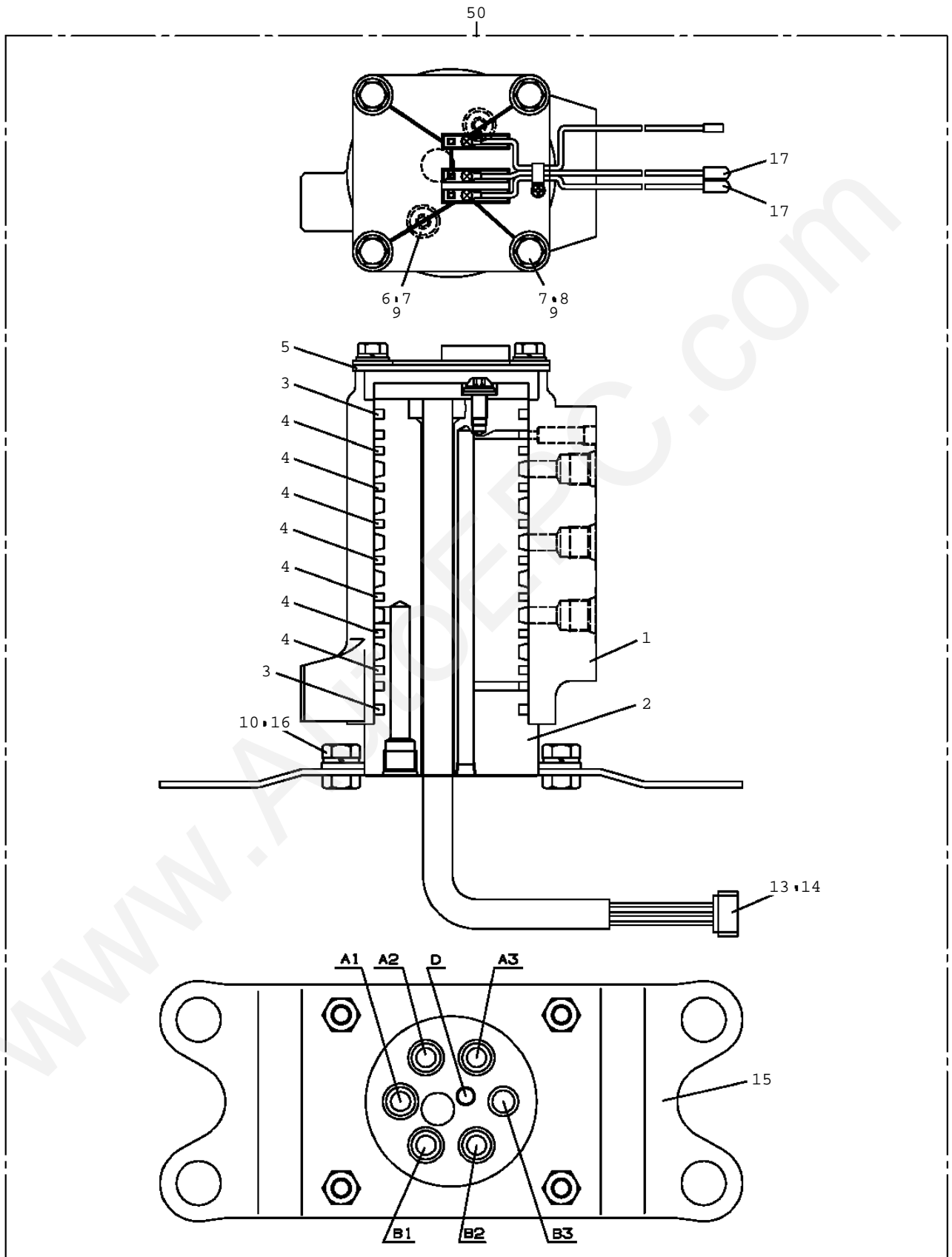


**TM-ZR300 31014010170A FRAME/SL,MANUAL,HOOK-IN**

Pos No.	Parts No	Parts Name	Qty	Unit	Technical Data	Serial No (Start)	Seri
1	31631061000	RING,SLIP	1				
2	90180208016	BOLT,BUTTON	2		M8X16		
3	90302040801	WASHER,SPRING	6		8		
4	90102208035	BOLT	4		M8X35		
5	90303070801	WASHER,PLAIN	6		8		
6	82114203020	CONNECTOR (CAP)	1				
7	82121502020	PLATE	1				
8	82114203030	CONNECTOR (CAP)	1				
9	82121502030	PLATE	1				
10	82100002855	CAP	2				
31	31631803000	RING ASSY,SLIP	1			KB6774	

www.AutoEPC.com

TM-ZR300 31014010170A FRAME/SL, MANUAL, HOOK-IN  
PB1300527-00 JOINT, ROTARY

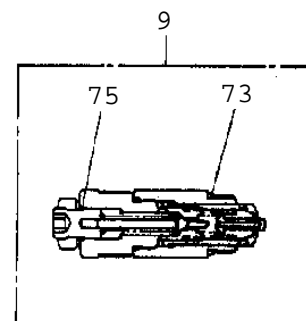
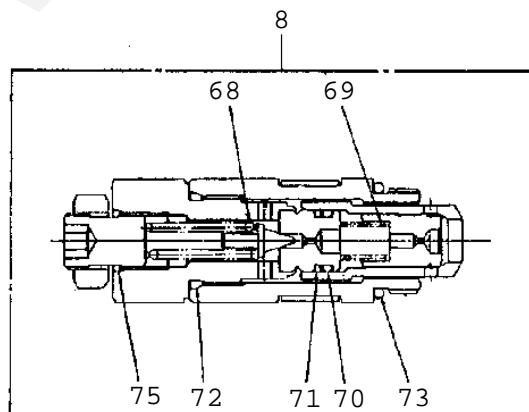
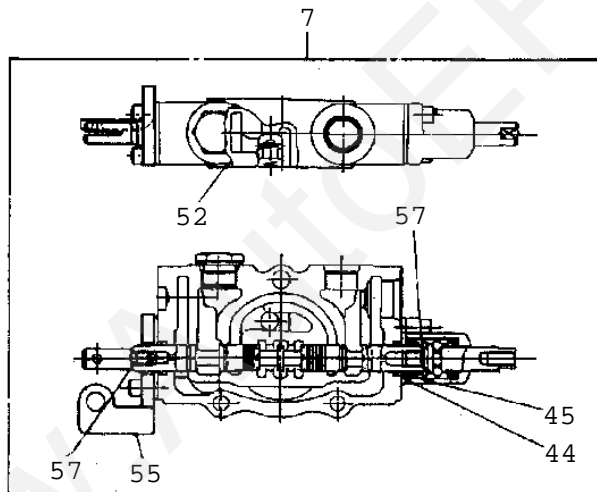
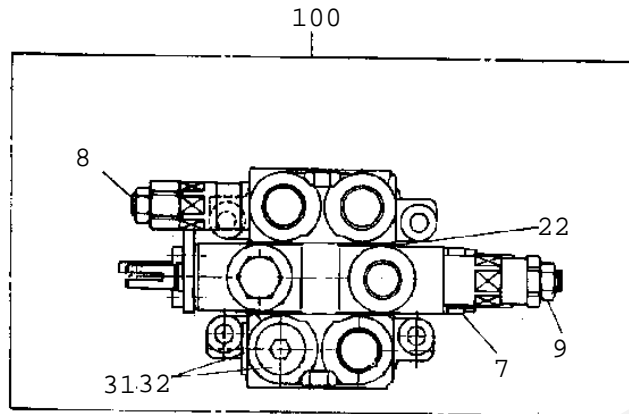


**TM-ZR300 31014010170A FRAME/SL,MANUAL,HOOK-IN**

Pos No.	Parts No	Parts Name	Qty	Unit	Technical Data	Serial No (Start)	Seri
1	31631121100	BODY	1				
2	31631121200	CORE	1				
3	91531208000	PACKING	2				
4	91100308000	RING,SEAL	7				
5	31631631100	RING,SLIP	1				
6	90180208016	BOLT,BUTTON	2		M8X16		
7	90302040801	WASHER,SPRING	6		8		
8	90102208014	BOLT	4		M8X14		
9	90303070801	WASHER,PLAIN	6		8		
10	90302041001	WASHER,SPRING	4		10		
13	82114203030	CONNECTOR (CAP)	1				
14	82121502030	PLATE	1				
15	31631121300	SUPPORT	1				
16	90171110016	BOLT	4		M10X16		
17	82100002855	CAP	2				
50	31631631000	JOINT,ROTARY	1				

www.AutoEPC.com

TM-ZR300 31014010170A FRAME/SL, MANUAL, HOOK-IN  
PB1320271-00 VALVE, MANUAL CONTROL (POWER SUPPLY)

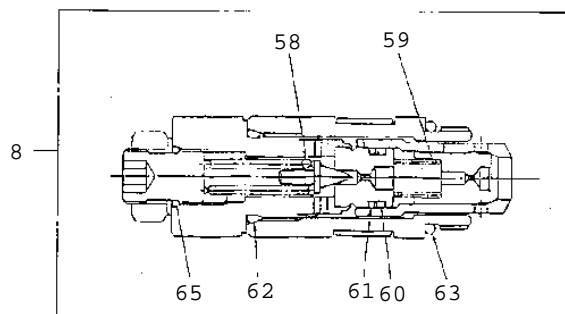
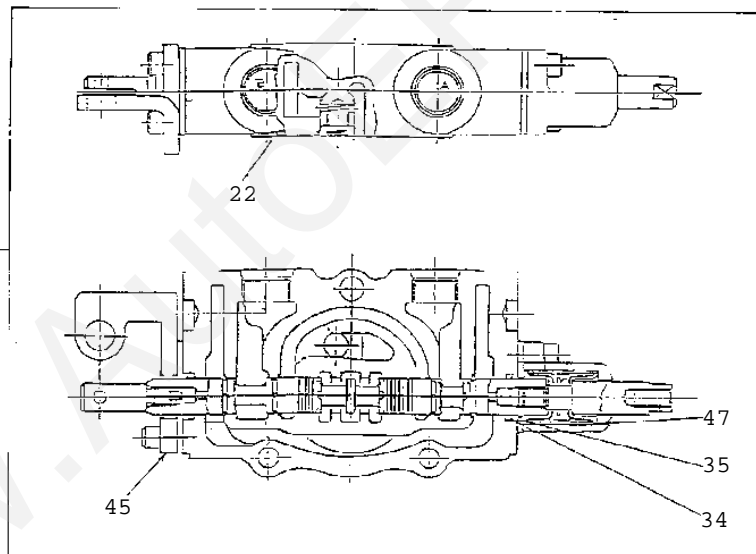
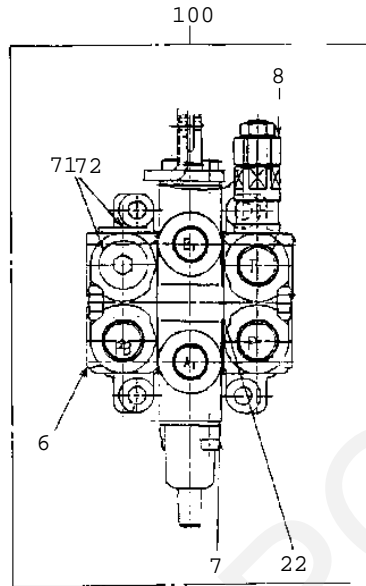


**TM-ZR300 31014010170A FRAME/SL,MANUAL,HOOK-IN**

Pos No.	Parts No	Parts Name	Qty	Unit	Technical Data	Ser
7	36635615010	VALVE,CONTROL	1			
8	36641235030	VALVE,RELIEF	1			
9	36635615020	VALVE,RELIEF	1			
22	36640765060	O-RING	1			
31	36635545060	PLUG	2			
32	91002801800	O-RING	2		1B P18	
44	36635545020	O-RING	2			
45	36635545030	WIPER	2			
52	36640765060	O-RING	1			
55	36635545040	BRACKET	1			
57	36635545050	O-RING	2			
68	36641235070	SPRING	1			
69	36641235080	SPRING	1			
70	36641235090	O-RING	1			
71	91411001000	RING,BACKUP	1		TIP10A	
72	91000590800	O-RING	1		AS568-908	
73	36640765130	O-RING	2			
75	91002801000	O-RING	2		1B P10	
100	36635610000	VALVE,MANUAL CONTROL (POWER SUPPLY)	1			

www.AutoEPC.com

TM-ZR300 31014010170A FRAME/SL, MANUAL, HOOK-IN  
PB1320313-00 VALVE, MANUAL CONTROL (SL, 1-BLOCK)



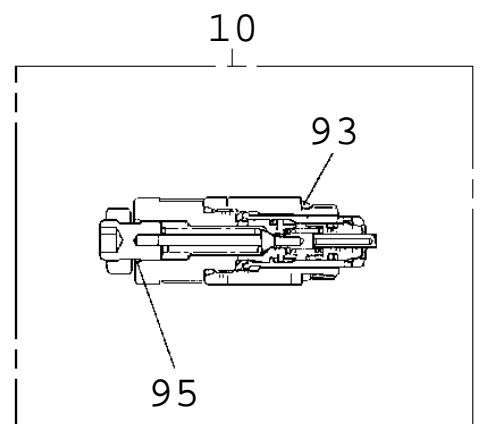
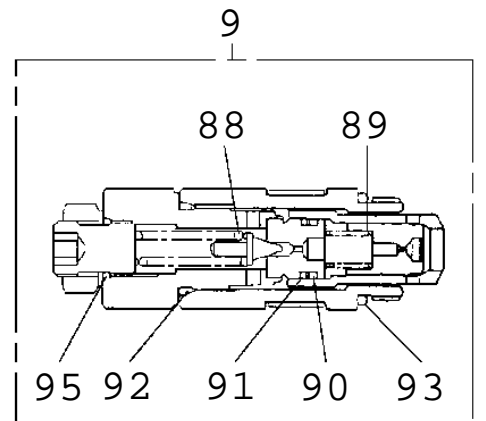
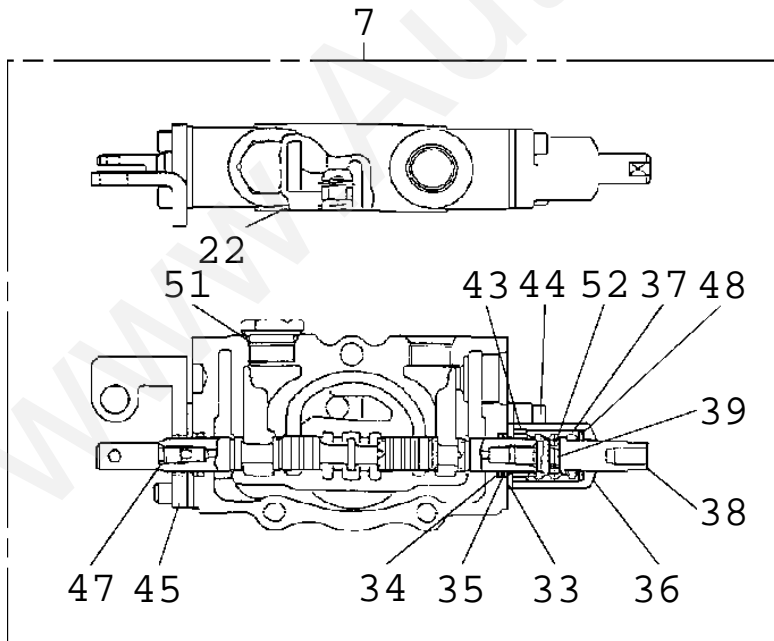
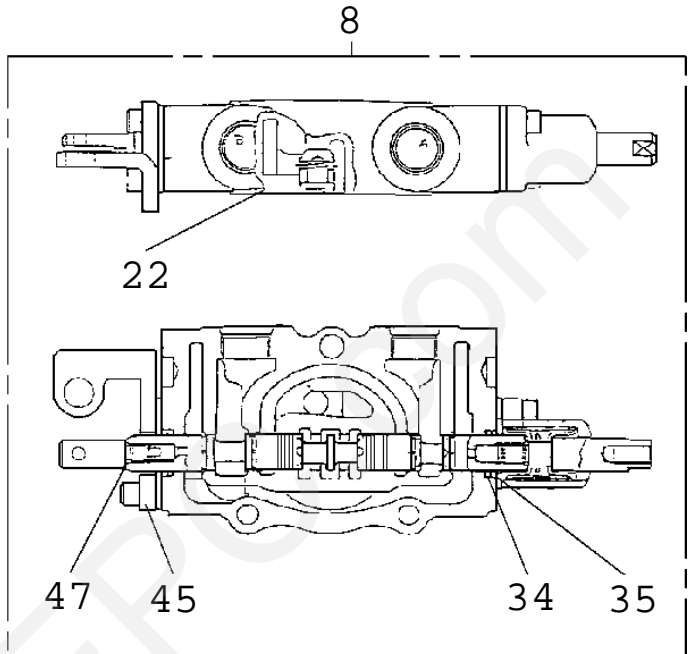
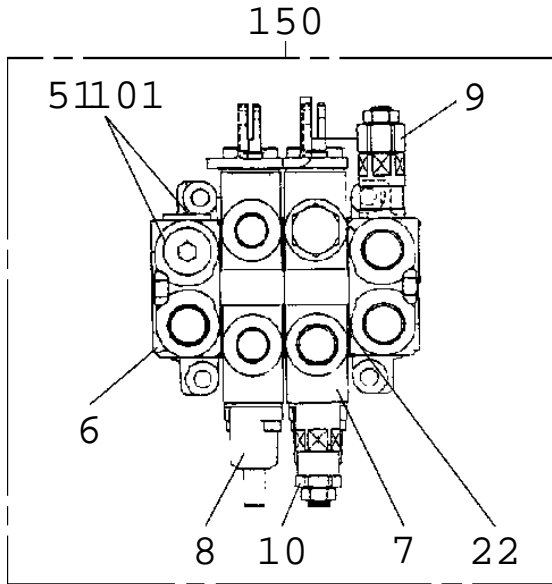
**TM-ZR300 31014010170A FRAME/SL,MANUAL,HOOK-IN**

Pos No.	Parts No	Parts Name	Qty	Unit	Technical Data	Serial
6	36635625060	OUTLET	1			
7	36635545010	VALVE,CONTROL	1			
8	36641235030	VALVE,RELIEF	1			
22	36640765060	O-RING	2			
34	36635545020	O-RING	2			
35	36635545030	WIPER	2			
45	36635545040	BRACKET	1			
47	36635545050	O-RING	2			
58	36641235070	SPRING	1			
59	36641235080	SPRING	1			
60	36641235090	O-RING	1			
61	91411001000	RING,BACKUP	1		TIP10A	
62	91000590800	O-RING	1		AS568-908	
63	36640765130	O-RING	1			
65	91002801000	O-RING	1		1B P10	
71	36635545060	PLUG	4			
72	91002801800	O-RING	4		1B P18	
100	36636090000	VALVE,MANUAL CONTROL (SL,1-BLOCK)	1			

www.AutoEPC.com



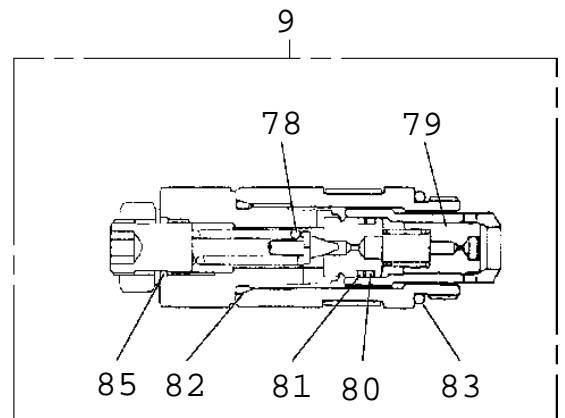
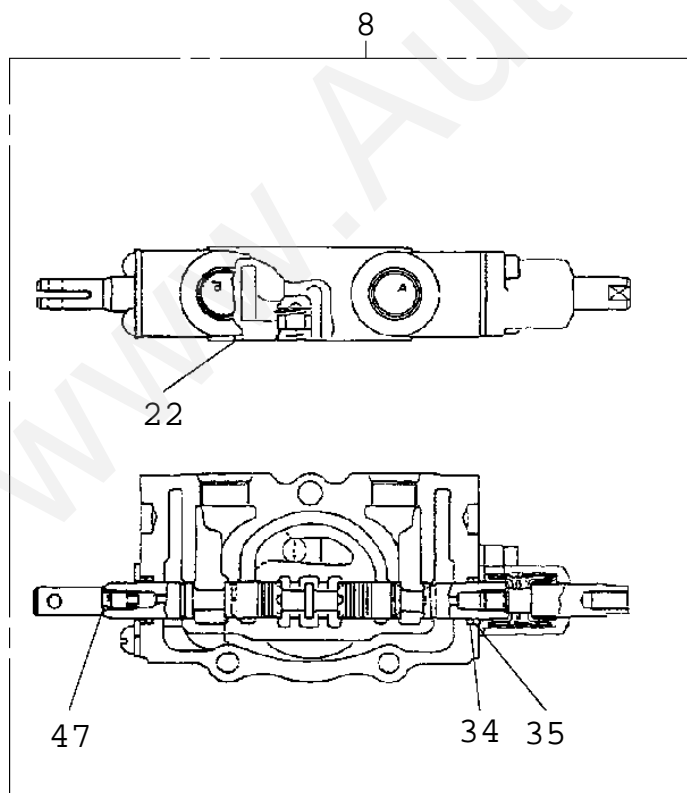
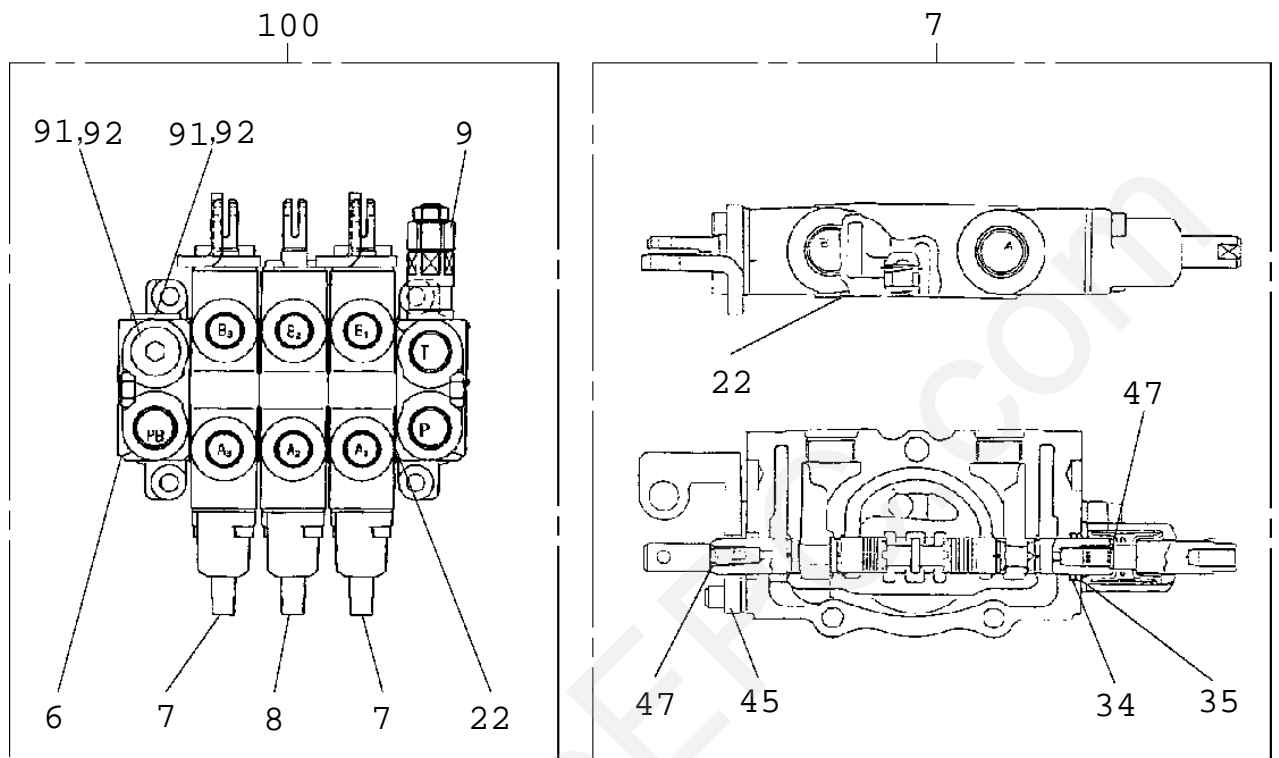
TM-ZR300 31014010170A FRAME/SL, MANUAL, HOOK-IN  
 PB1320314-01 VALVE, MANUAL CONTROL (SL, 2-BLOCK)



**TM-ZR300 31014010170A FRAME/SL,MANUAL,HOOK-IN**

Pos No.	Parts No	Parts Name	Qty	Unit	Technical Data	Serial
6	36635625060	OUTLET	1			
7	36636105010	VALVE,CONTROL	1			
8	36635545010	VALVE,CONTROL	1			
9	36641235030	VALVE,RELIEF	1			
10	36635615020	VALVE,RELIEF	1			
22	36640765060	O-RING	3			
33	36636315030	PLATE (SEAL)	2			
34	36635545020	O-RING	4			
35	36635545030	WIPER	4			
36	36635625020	CAP (SPOOL)	1			
37	36636105040	SLEEVE	1			
38	36636105050	PIN	1			
39	36636105060	SPRING	1			
43	36636105070	SPACER	1			
44	36636315080	BOLT,SOCKET HEAD	2			
45	36635545040	BRACKET	2			
47	36635545050	O-RING	4			
48	36636105090	WASHER	1			
51	91002801800	O-RING	5		1B P18	
52	36636105100	BALL	2			
88	36641235070	SPRING	1			
89	36641235080	SPRING	1			
90	36641235090	O-RING	1			
91	91411001000	RING,BACKUP	1		TIP10A	
92	91000590800	O-RING	1		AS568-908	
93	36640765130	O-RING	2			
95	91002801000	O-RING	2		1B P10	
101	36635545060	PLUG	4			
150	36636100000	VALVE,MANUAL CONTROL (SL,2-BLOCK)	1			

TM-ZR300 31014010170A FRAME/SL, MANUAL, HOOK-IN  
 PB1320315-01 VALVE, MANUAL CONTROL (R/O, 3-BLOCK)

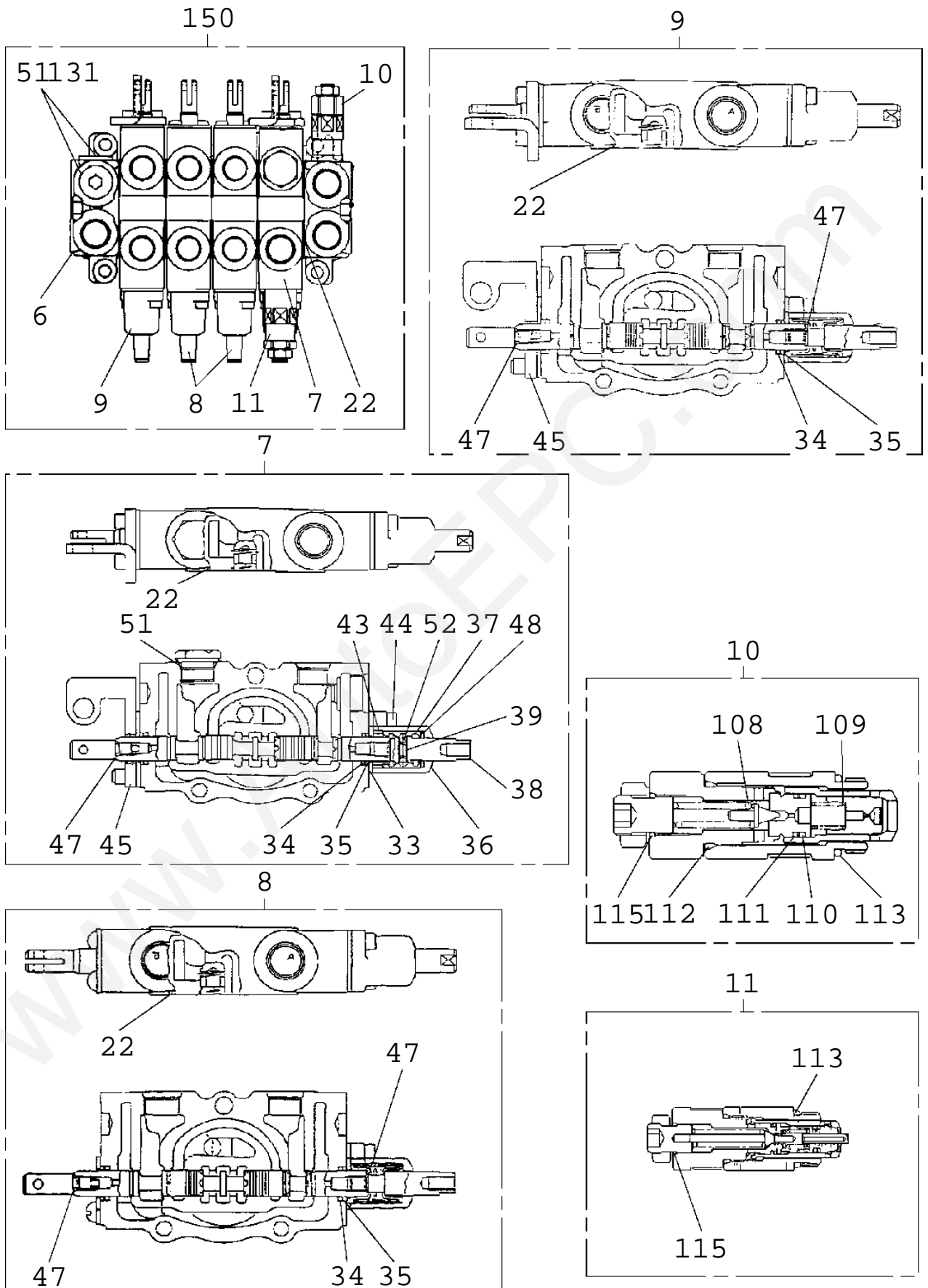


**TM-ZR300 31014010170A FRAME/SL,MANUAL,HOOK-IN**

Pos No.	Parts No	Parts Name	Qty	Unit	Technical Data	Seri
6	36635625060	OUTLET	1			
7	36635545010	VALVE,CONTROL	2			
8	36635605010	VALVE,CONTROL	1			
9	36641235030	VALVE,RELIEF	1			
22	36640765060	O-RING	4			
34	36635545020	O-RING	6			
35	36635545030	WIPER	6			
45	36635545040	BRACKET	2			
47	36635545050	O-RING	6			
78	36641235070	SPRING	1			
79	36641235080	SPRING	1			
80	36641235090	O-RING	1			
81	91411001000	RING,BACKUP	1		TIP10A	
82	91000590800	O-RING	1		AS568-908	
83	36640765130	O-RING	1			
85	91002801000	O-RING	1		1B P10	
91	36635545060	PLUG	4			
92	91002801800	O-RING	4		1B P18	
100	36636110000	VALVE,MANUAL CONTROL (R/O,3-BLOCK)	1			

www.AutoEPC.com

TM-ZR300 31014010170A FRAME/SL, MANUAL, HOOK-IN  
 PB1320316-01 VALVE, MANUAL CONTROL (R/O, 4-BLOCK)

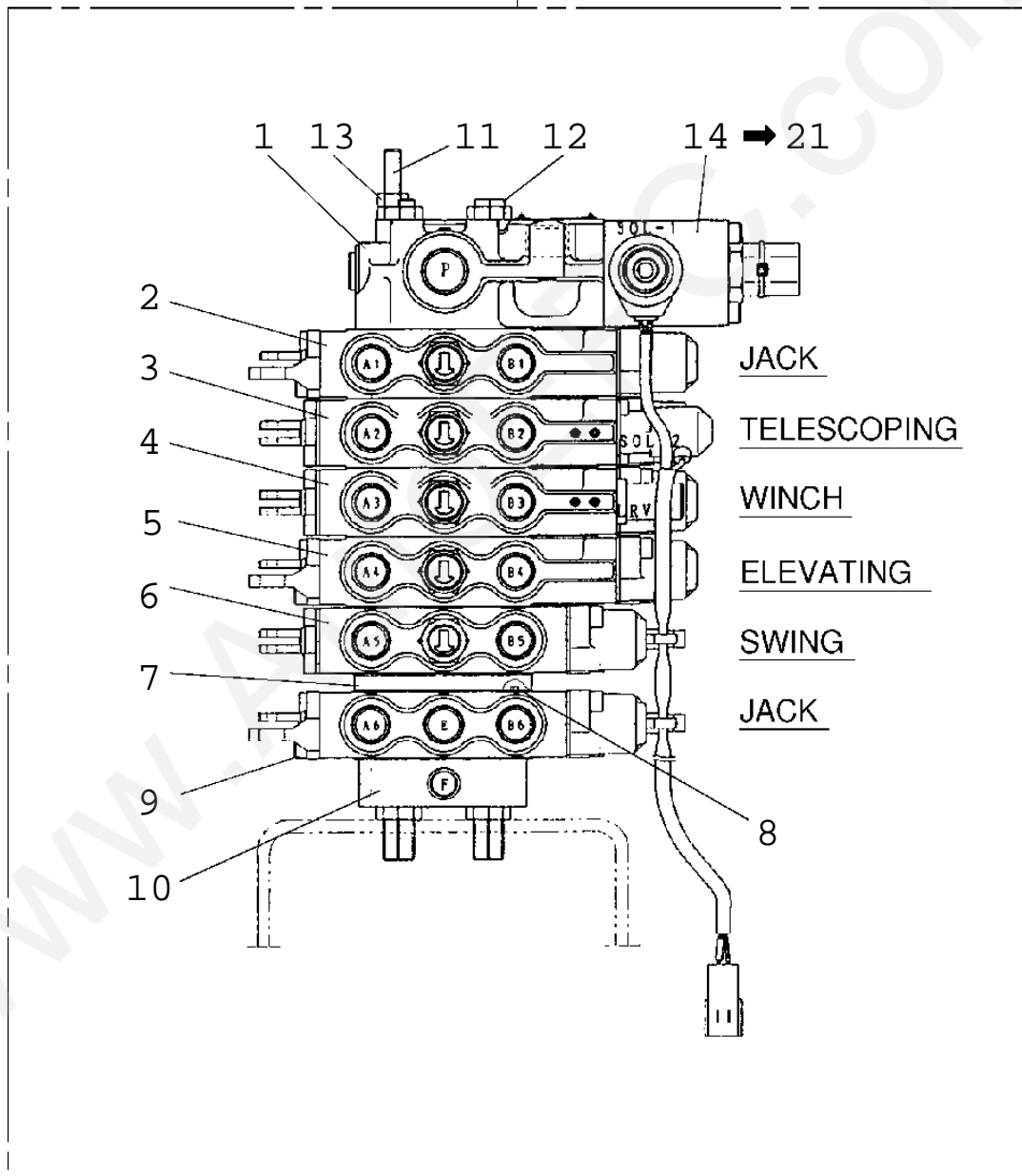


**TM-ZR300 31014010170A FRAME/SL,MANUAL,HOOK-IN**

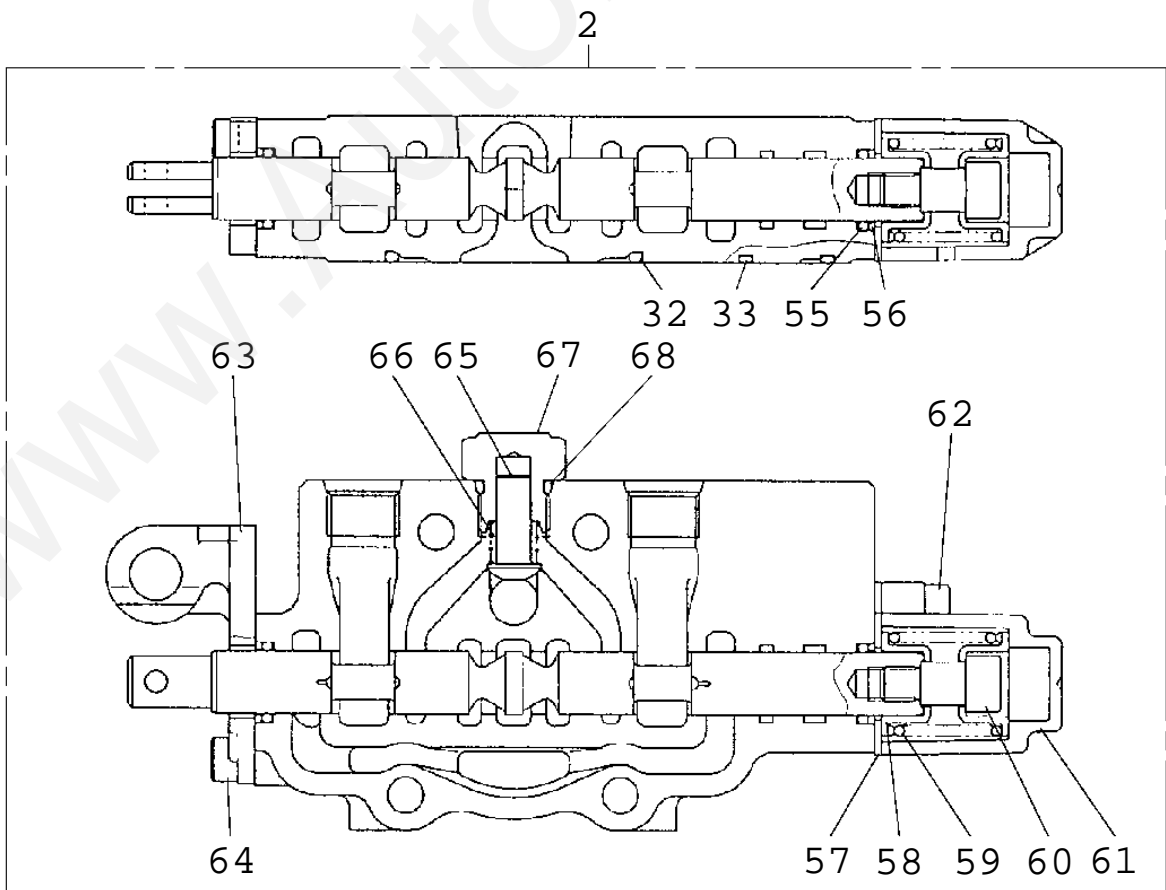
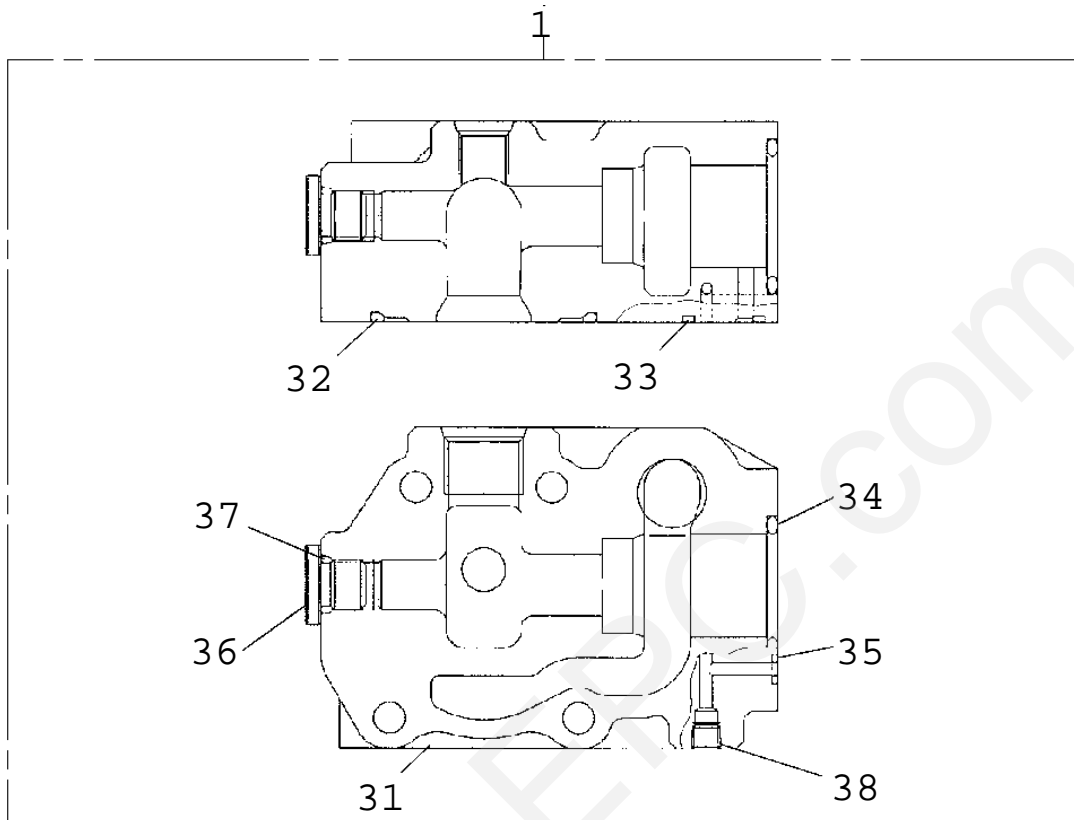
Pos No.	Parts No	Parts Name	Qty	Unit	Technical Data	Seri
6	36635625060	OUTLET	1			
7	36636105010	VALVE,CONTROL	1			
8	36635605010	VALVE,CONTROL	2			
9	36635545010	VALVE,CONTROL	1			
10	36641235030	VALVE,RELIEF	1			
11	36635615020	VALVE,RELIEF	1			
22	36640765060	O-RING	5			
33	36636315030	PLATE (SEAL)	2			
34	36635545020	O-RING	8			
35	36635545030	WIPER	8			
36	36635625020	CAP (SPOOL)	1			
37	36636105040	SLEEVE	1			
38	36636105050	PIN	1			
39	36636105060	SPRING	1			
43	36636105070	SPACER	1			
44	36636315080	BOLT,SOCKET HEAD	2			
45	36635545040	BRACKET	2			
47	36635545050	O-RING	8			
48	36636105090	WASHER	1			
51	91002801800	O-RING	5		1B P18	
52	36636105100	BALL	2			
108	36641235070	SPRING	1			
109	36641235080	SPRING	1			
110	36641235090	O-RING	1			
111	91411001000	RING,BACKUP	1		TIP10A	
112	91000590800	O-RING	1		AS568-908	
113	36640765130	O-RING	2			
115	91002801000	O-RING	2		1B P10	
131	36635545060	PLUG	4			
150	36636120000	VALVE,MANUAL CONTROL (R/O,4-BLOCK)	1			

TM-ZR300 31014010170A FRAME/SL, MANUAL, HOOK-IN  
PB1320514-01 VALVE, MANUAL CONTROL (NABCO)

250

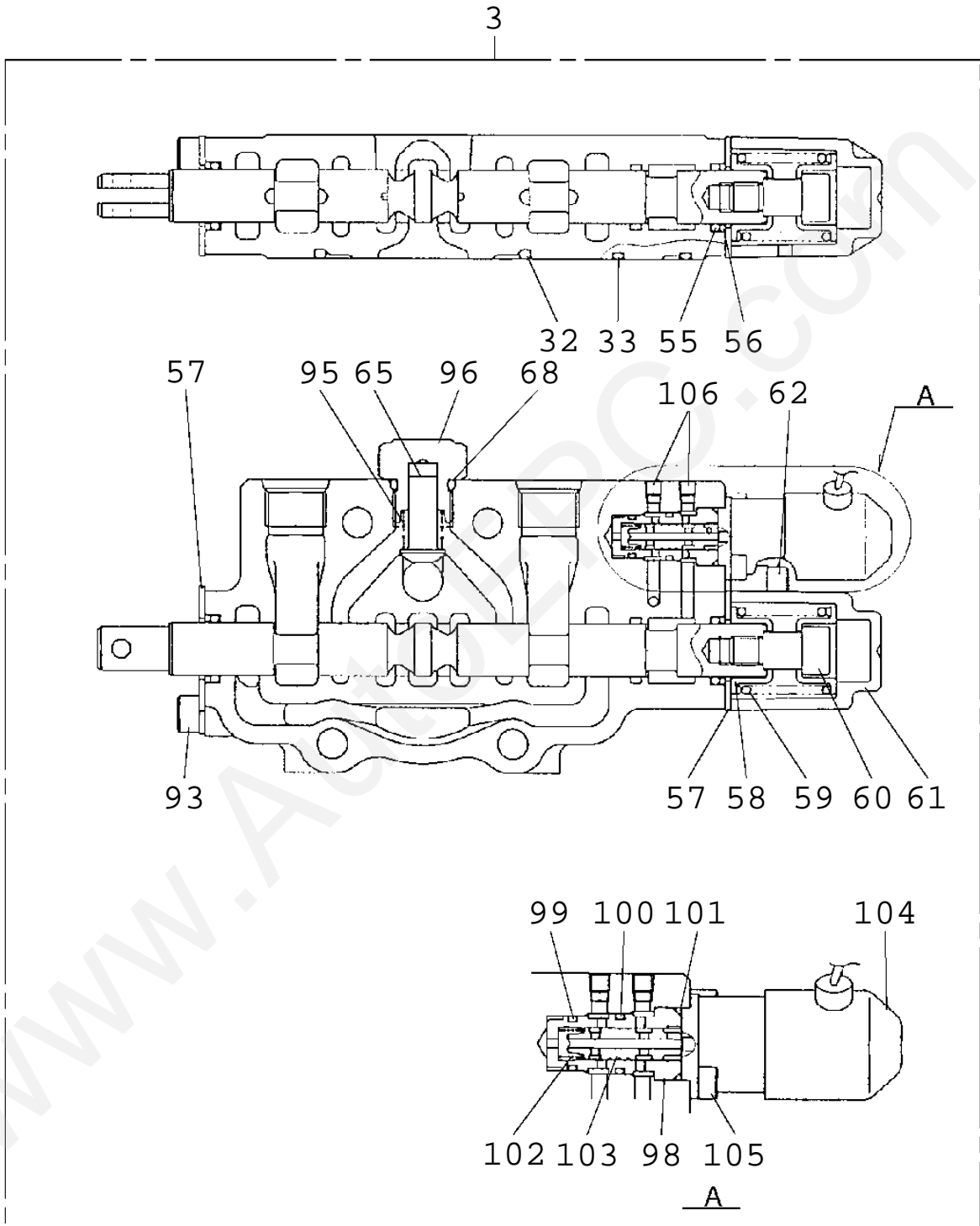


TM-ZR300 31014010170A FRAME/SL, MANUAL, HOOK-IN  
PB1320514-01 VALVE, MANUAL CONTROL (NABCO)

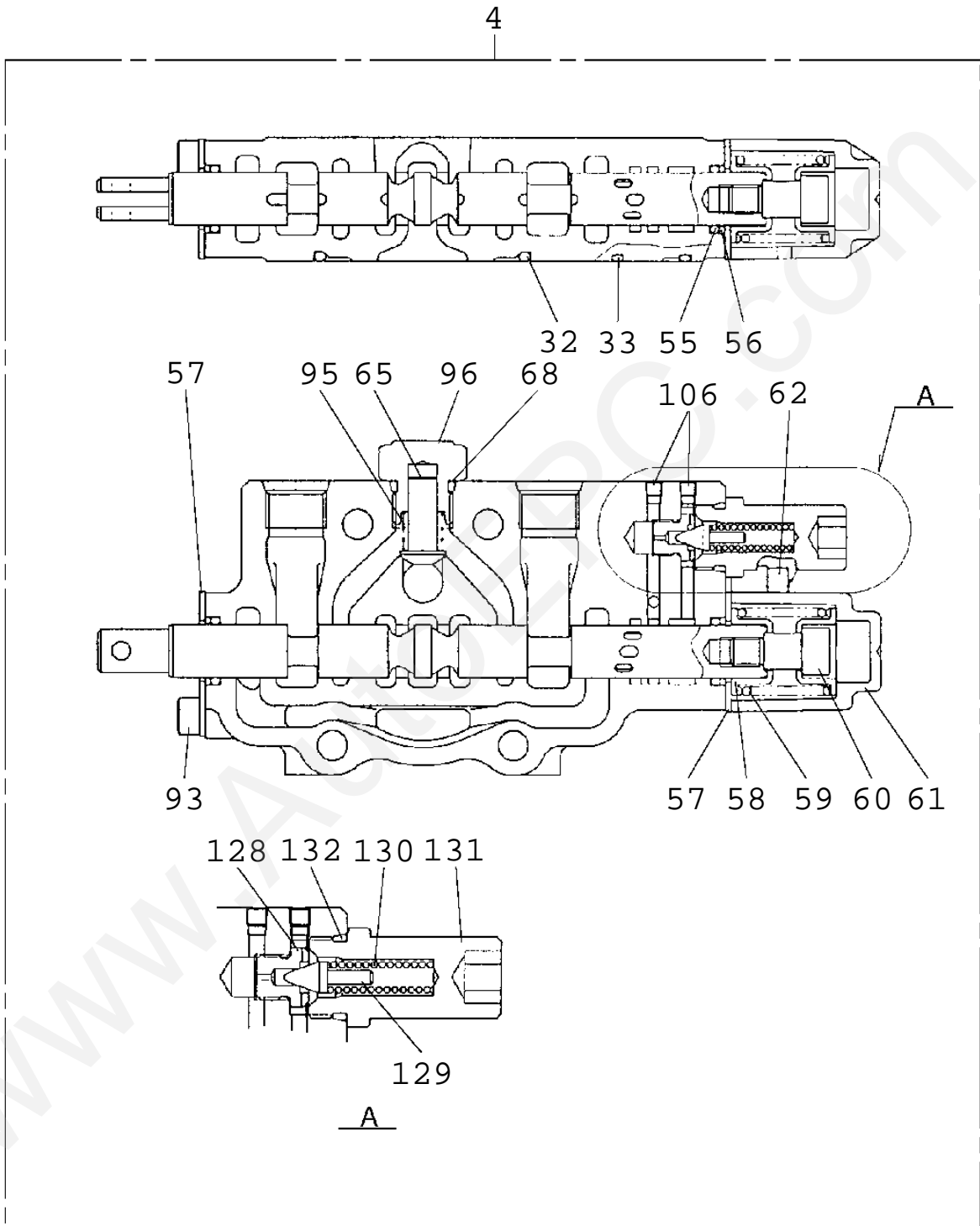




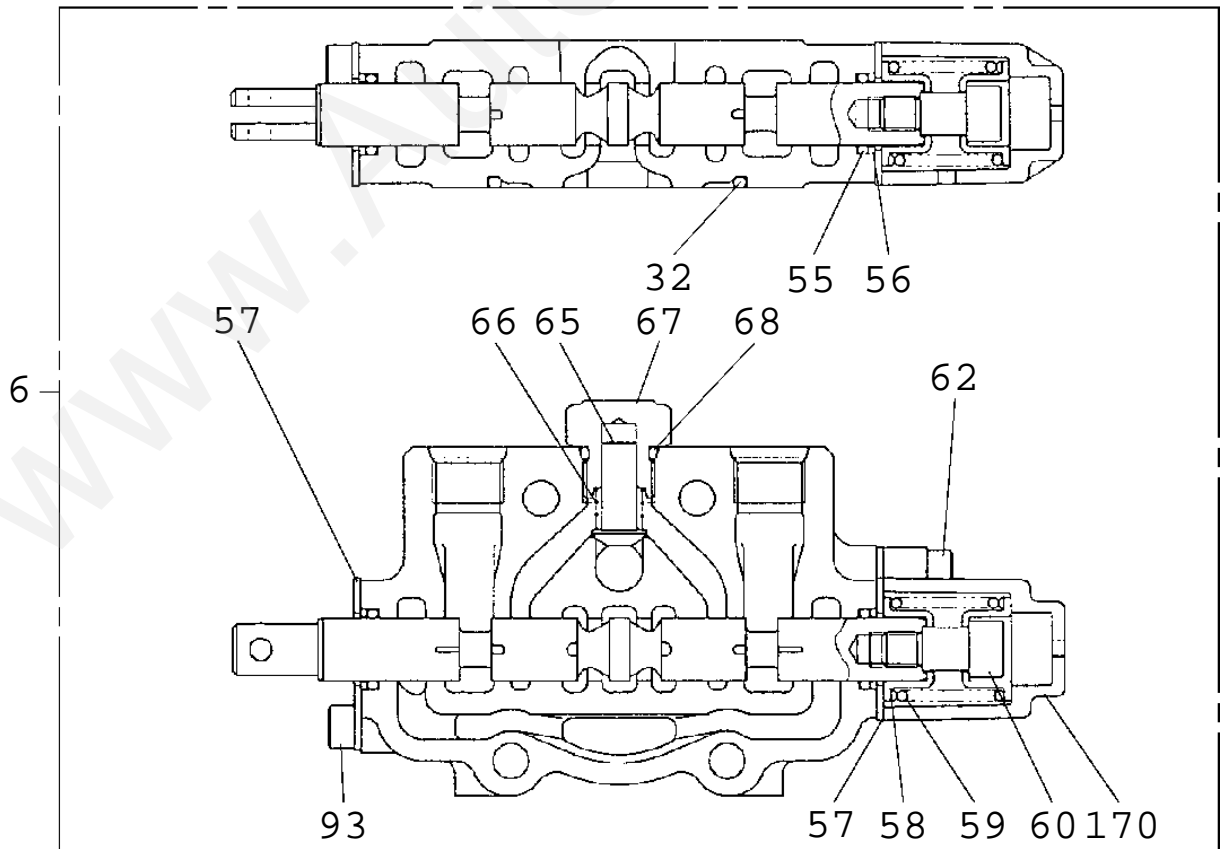
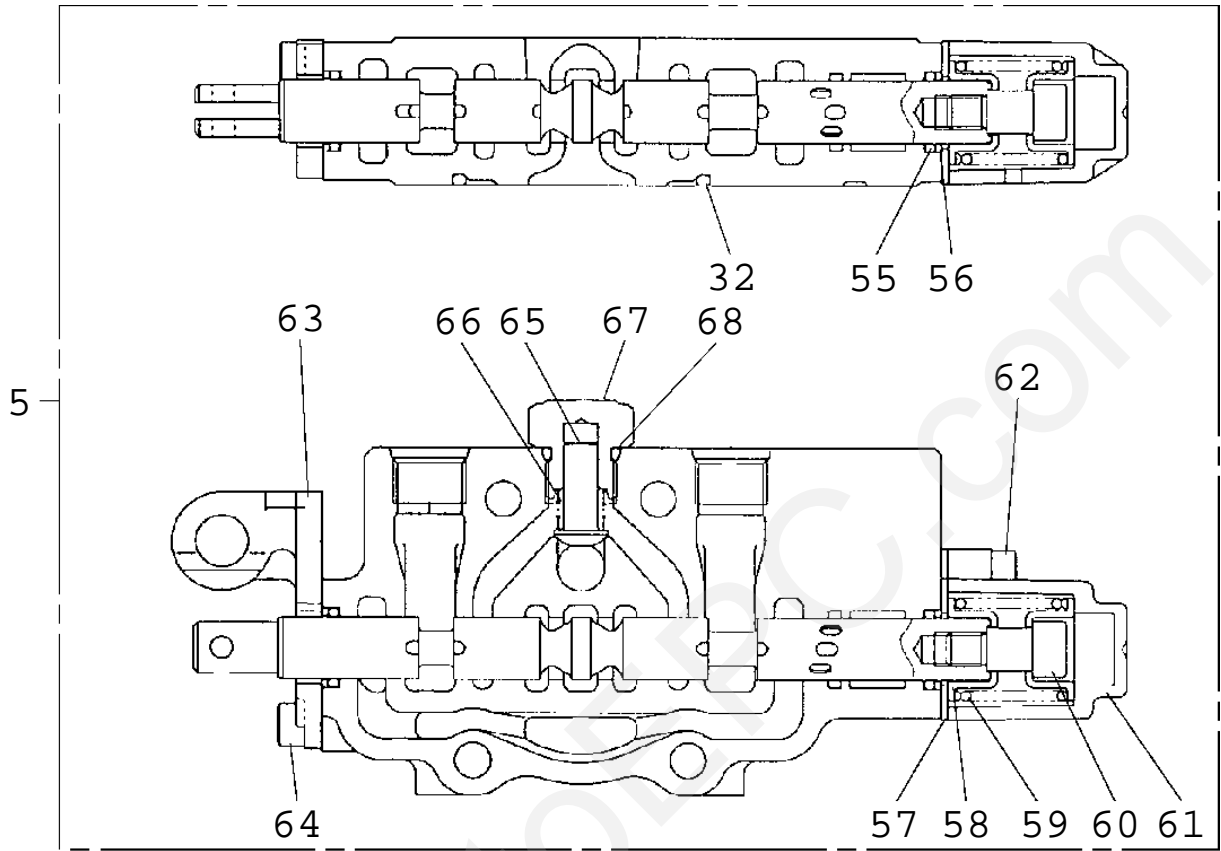
TM-ZR300 31014010170A FRAME/SL, MANUAL, HOOK-IN  
PB1320514-01 VALVE, MANUAL CONTROL (NABCO)



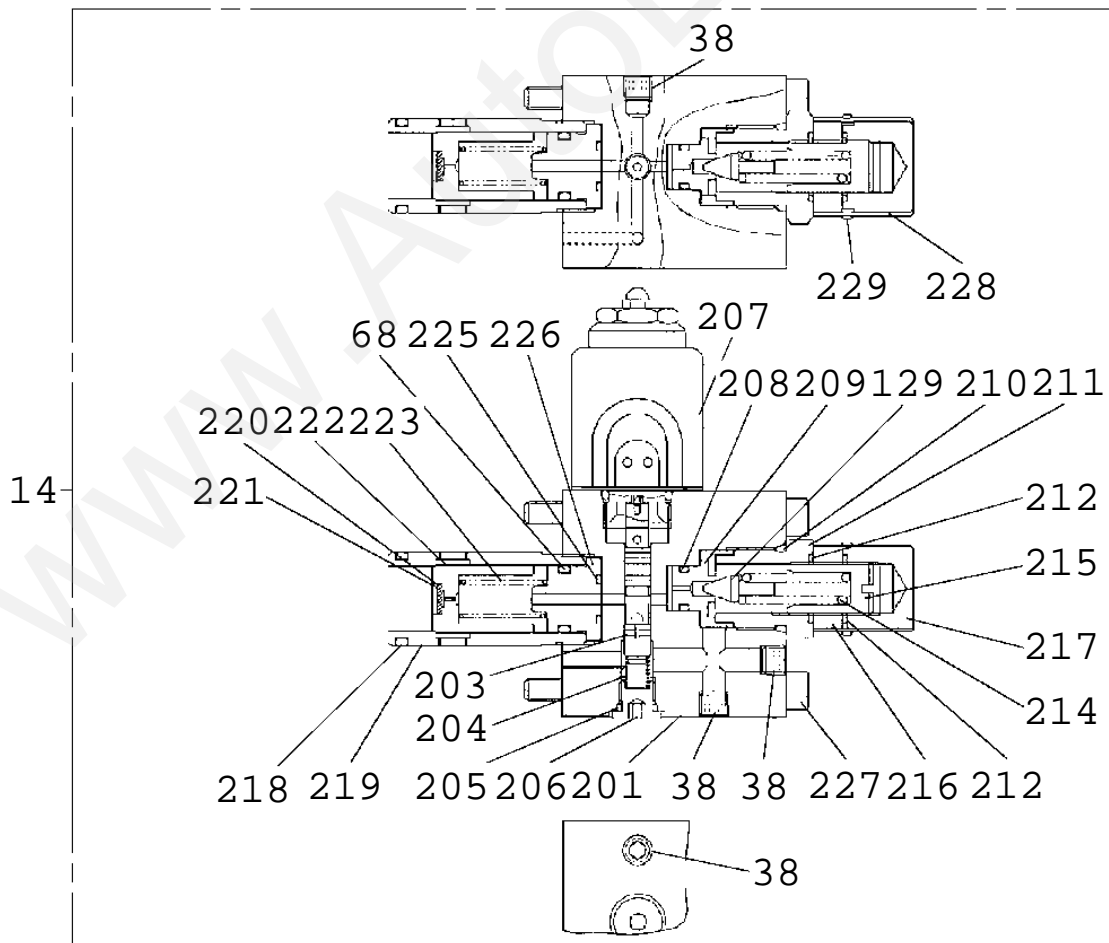
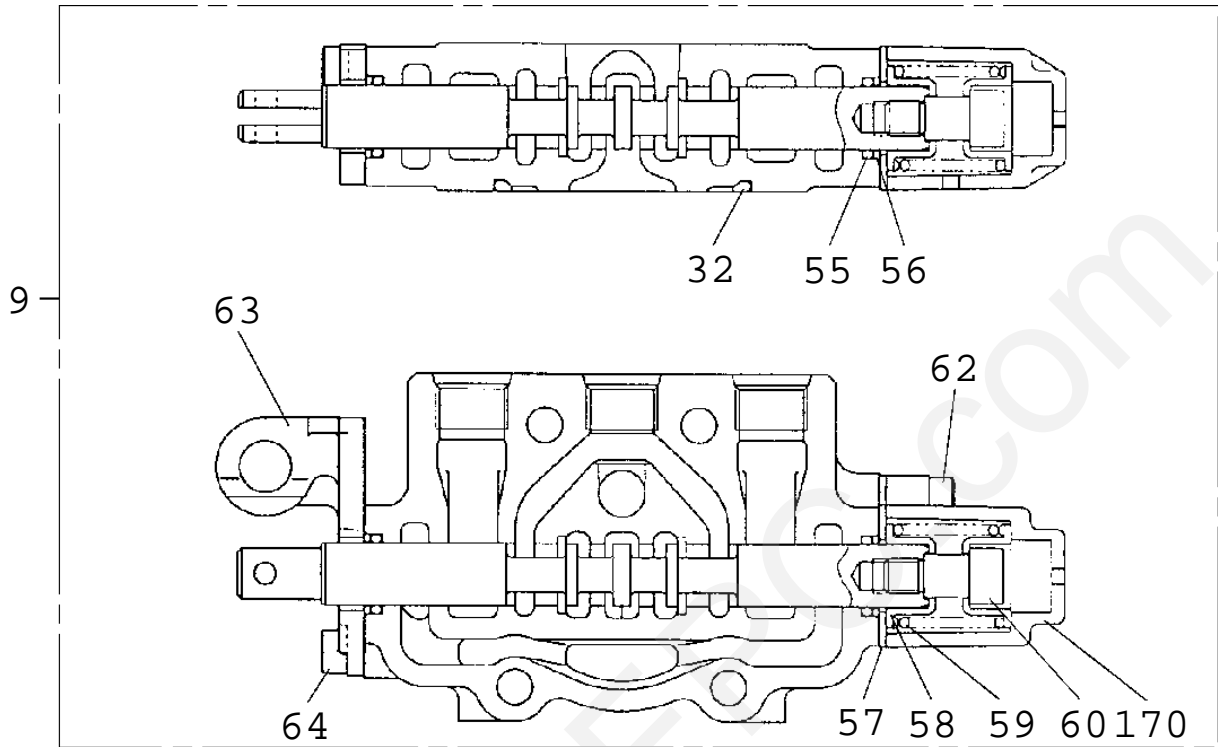
TM-ZR300 31014010170A FRAME/SL, MANUAL, HOOK-IN  
PB1320514-01 VALVE, MANUAL CONTROL (NABCO)



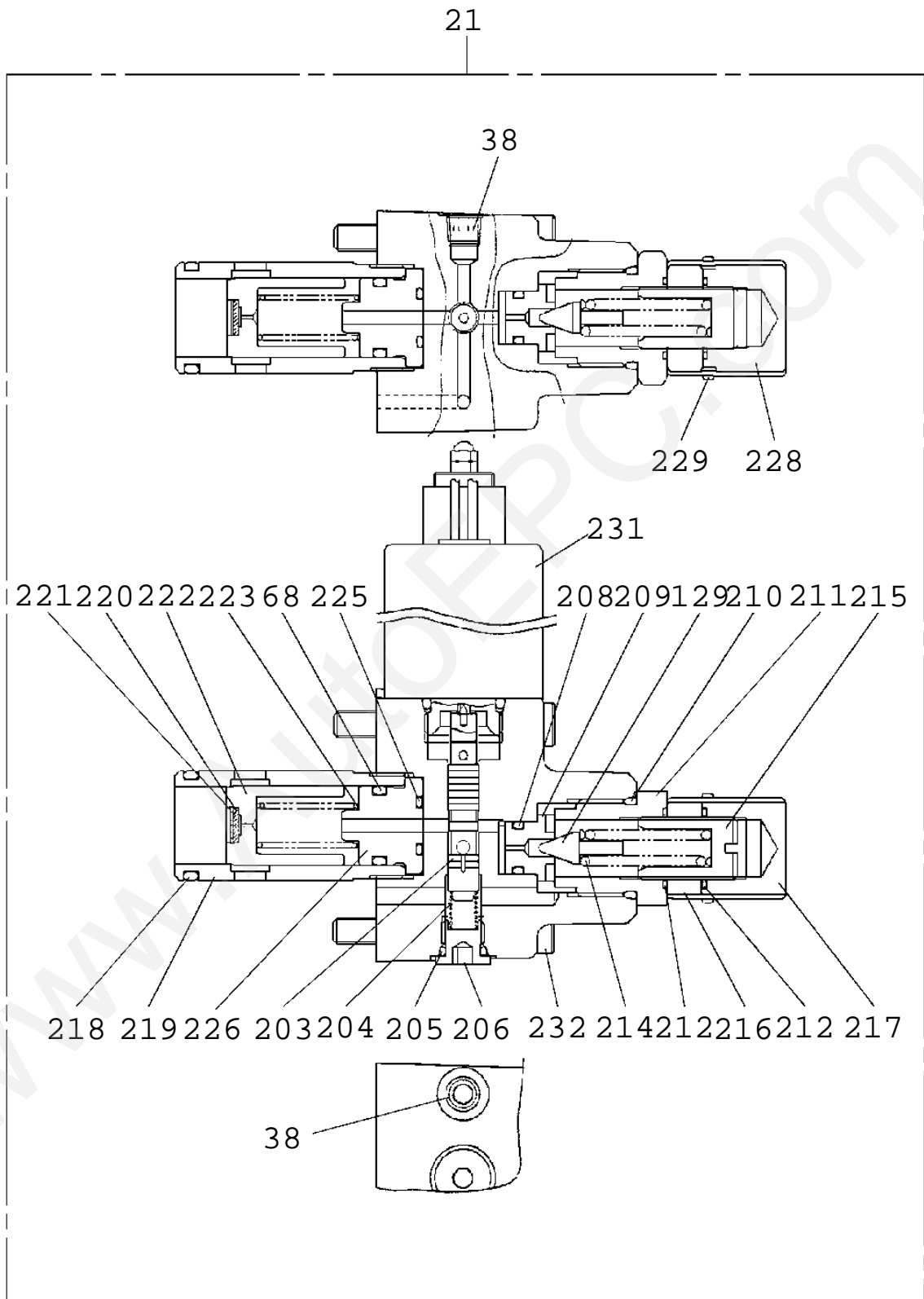
TM-ZR300 31014010170A FRAME/SL, MANUAL, HOOK-IN  
PB1320514-01 VALVE, MANUAL CONTROL (NABCO)



TM-ZR300 31014010170A FRAME/SL, MANUAL, HOOK-IN  
 PB1320514-01 VALVE, MANUAL CONTROL (NABCO)



TM-ZR300 31014010170A FRAME/SL, MANUAL, HOOK-IN  
PB1320514-01 VALVE, MANUAL CONTROL (NABCO)



**TM-ZR300 31014010170A FRAME/SL, MANUAL, HOOK-IN**

Pos No.	Parts No	Parts Name	Qty	Unit	Technical Data	Serial No
1	36637335010	VALVE (BODY ASSY)	1			
2	36637375010	VALVE,CONTROL (JACK)	1			
3	36637375020	VALVE,CONTROL (TELESCOPING)	1			
4	36637335030	VALVE,CONTROL (WINCH)	1			
5	36637375030	VALVE,CONTROL (ELEVATING)	1			
6	36637375040	VALVE,CONTROL (SWING)	1			
7	36637425050	BLOCK	1			
8	91002905500	O-RING	1		1B G55	
9	36637375050	VALVE,CONTROL (JACK)	1			
10	36637425070	BODY	1			
11	36633165020	BOLT	1		M8X349	
12	36633165030	BOLT	3		M8X323	
13	90201200800	NUT	9		M8	
21	36637335450	VALVE,UNLOAD	1			
31	36637335110	BODY	1			
32	91002905500	O-RING	7		1B G55	
33	91002801800	O-RING	4		1B P18	
34	91002803500	O-RING	1		1B P35	
35	91002800600	O-RING	1		1B P6	
36	36637335120	PLUG	1		PF1/4	
37	91002801100	O-RING	1		1B P11	
38	36647205050	PLUG	3		NPT1-16	
55	36637335130	O-RING	12		1A P14.5	
56	36637335140	SEAL,DUST	12			
57	36637335150	RETAINER (SEAL)	10			
58	36637335160	RETAINER (SPRING)	12			
59	36637335170	SPRING	6			
60	36637335180	END,SPOOL	6			
61	36637335190	COVER (SPRING)	4			
62	36637335200	BOLT,HEXAGON SOCKET	12		M6X20	
63	36637335210	COVER	3			
64	36637335220	BOLT,HEXAGON SOCKET	6		M6X15	
65	36636435060	VALVE,CHECK	5			
66	36635555080	SPRING	3			
67	36635045040	RETAINER (VALVE)	3			
68	91002801400	O-RING	6		1B P14	
93	36637335310	BOLT,HEXAGON SOCKET	6		M6X10	
95	36635535140	SPRING	2			
96	36634085090	RETAINER (VALVE)	2			
98	36637335230	SOCKET	1			
99	36637335240	O-RING	1		1AS10	
100	36637335250	O-RING	1		1A S11.2	
101	36637335260	O-RING	1		1AS14	
102	36637335270	SPRING	1			
103	36637335280	SPOOL	1			
104	36637335290	SOLENOID ASSY	1			
105	36637335300	BOLT,HEXAGON SOCKET	2		M4X8	
106	36647205070	PLUG	4		GPM1/32	
128	36637335320	SEAT,VALVE	1			
129	14225101010	VALVE,REGULATOR	2			
130	36635175110	SPRING	1			
131	36637335330	CAP	1			
132	36637335340	O-RING	1		1B P15	
170	36637335350	COVER	2			
203	36637335370	SPOOL	1			
204	36637545050	SPRING	1			
205	91002800800	O-RING	1		1B P8	
206	36634915280	PLUG	1			
208	91002800900	O-RING	1		1B P9	
209	36637455020	SEAT,VALVE	1			
210	19215101010	O-RING	1			
211	36630285130	BODY	1			
212	91001001600	O-RING	2		1A S16	
214	16025153020	SPRING	1			
215	36630045200	SCREW (ADJUSTING)	1		M10X25	
216	36630045220	NUT	1		M10	
217	36630045210	NUT,CAP	1			
218	91002802100	O-RING	1		1B P21	
219	36637335390	SOCKET	1			
220	36643175050	FILTER	1			
221	80602110080	RING,RITAINING	1		R8	
222	36637545060	VALVE,REGULATOR	1			
223	36630705290	SPRING	1			
225	91002801000	O-RING	1		1B P10	

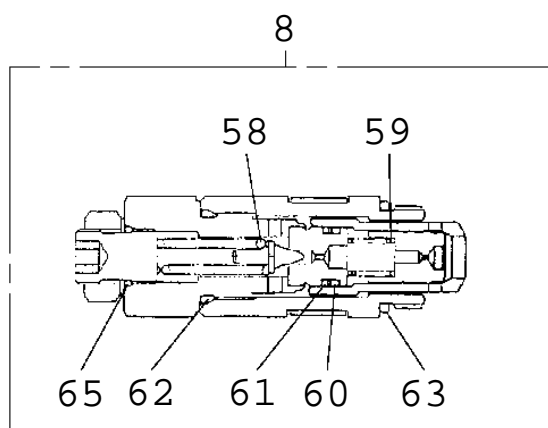
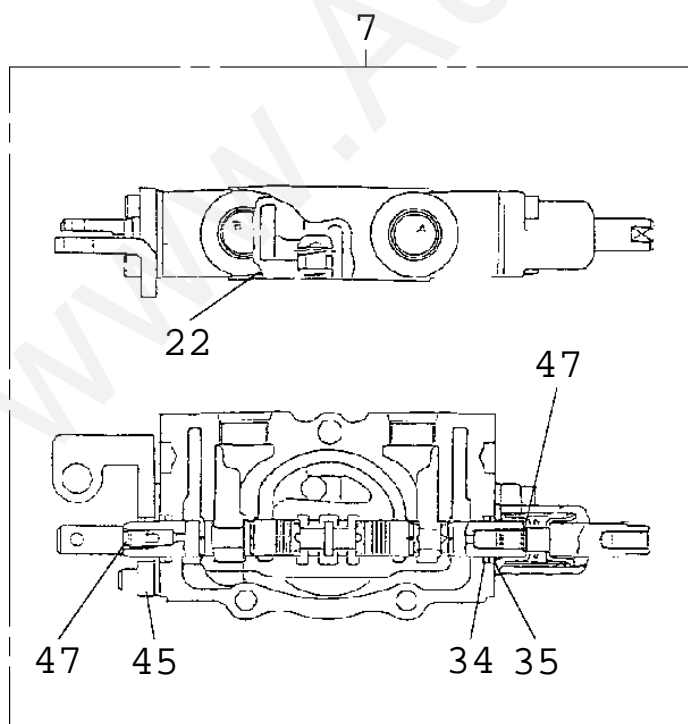
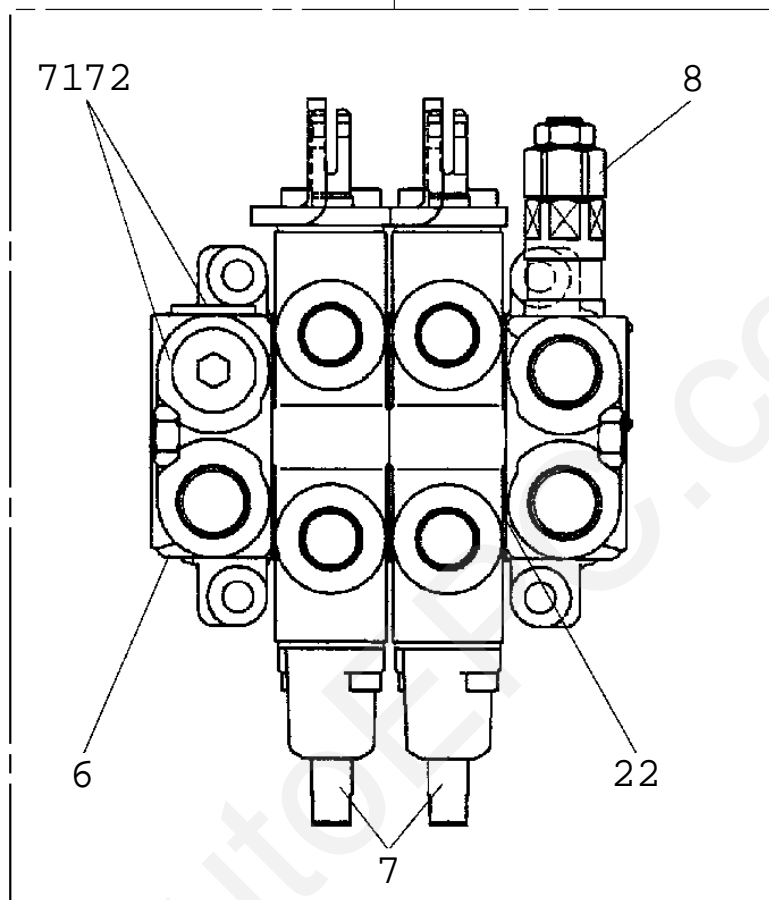
**TM-ZR300 31014010170A FRAME/SL,MANUAL,HOOK-IN**

Pos No.	Parts No	Parts Name	Qty	Unit	Technical Data	Serial No
226	36637335410	STOPPER	1			
228	36630045230	TUBE	1			
229	36637335430	BAND	1			
231	36637335460	SOLENOID ASSY	1			
232	36637335470	BOLT,HEXAGON SOCKET	3		M6X45	
250	36637370000	VALVE,MANUAL CONTROL (NABCO)	1			

www.AutoEPC.com

TM-ZR300 31014010170A FRAME/SL, MANUAL, HOOK-IN  
PB1320556-00 VALVE, MANUAL CONTROL (R/O, 2-BLOCK)

100





**TM-ZR300 31014010170A FRAME/SL,MANUAL,HOOK-IN**

Pos No.	Parts No	Parts Name	Qty	Unit	Technical Data	Seri
6	36635625060	OUTLET	1			
7	36635545010	VALVE,CONTROL	2			
8	36641235030	VALVE,RELIEF	1			
22	36640765060	O-RING	3			
34	36635545020	O-RING	4			
35	36635545030	WIPER	4			
45	36635545040	BRACKET	2			
47	36635545050	O-RING	4			
58	36641235070	SPRING	1			
59	36641235080	SPRING	1			
60	36641235090	O-RING	1			
61	91411001000	RING,BACKUP	1		TIP10A	
62	91000590800	O-RING	1		AS568-908	
63	36640765130	O-RING	1			
65	91002801000	O-RING	1		1B P10	
71	36635545060	PLUG	4			
72	91002801800	O-RING	4		1B P18	
100	36637730000	VALVE,MANUAL CONTROL (R/O,2-BLOCK)	1			

www.AutoEPC.com



**TM-ZR300 31014010170A FRAME/SL, MANUAL, HOOK-IN**

Pos No.	Parts No	Parts Name	Qty	Unit	Technical Data	Serial No (Start)
1	31611617510	ADAPTER ASSY	1			
7	31611617590	MOTOR ASSY	1			
12	31611617530	TANK	1			
14	31611617540	CAP (OIL FILLER)	1			
18	44550417860	GASKET (WITH O-RING)	1			
30	31611617550	VALVE ASSY	1			
41	31611617560	VALVE, SOLENOID	2			
44	31611617570	MANIFOLD	1			
47	31611617580	O-RING	2			
100	31611613101	POWER SUPPLY	1			

www.AutoEPC.com

TM-ZR300 31014010170A FRAME/SL,MANUAL,HOOK-IN  
PB1380213-00 POWER SUPPLY (SERVICE PORT)

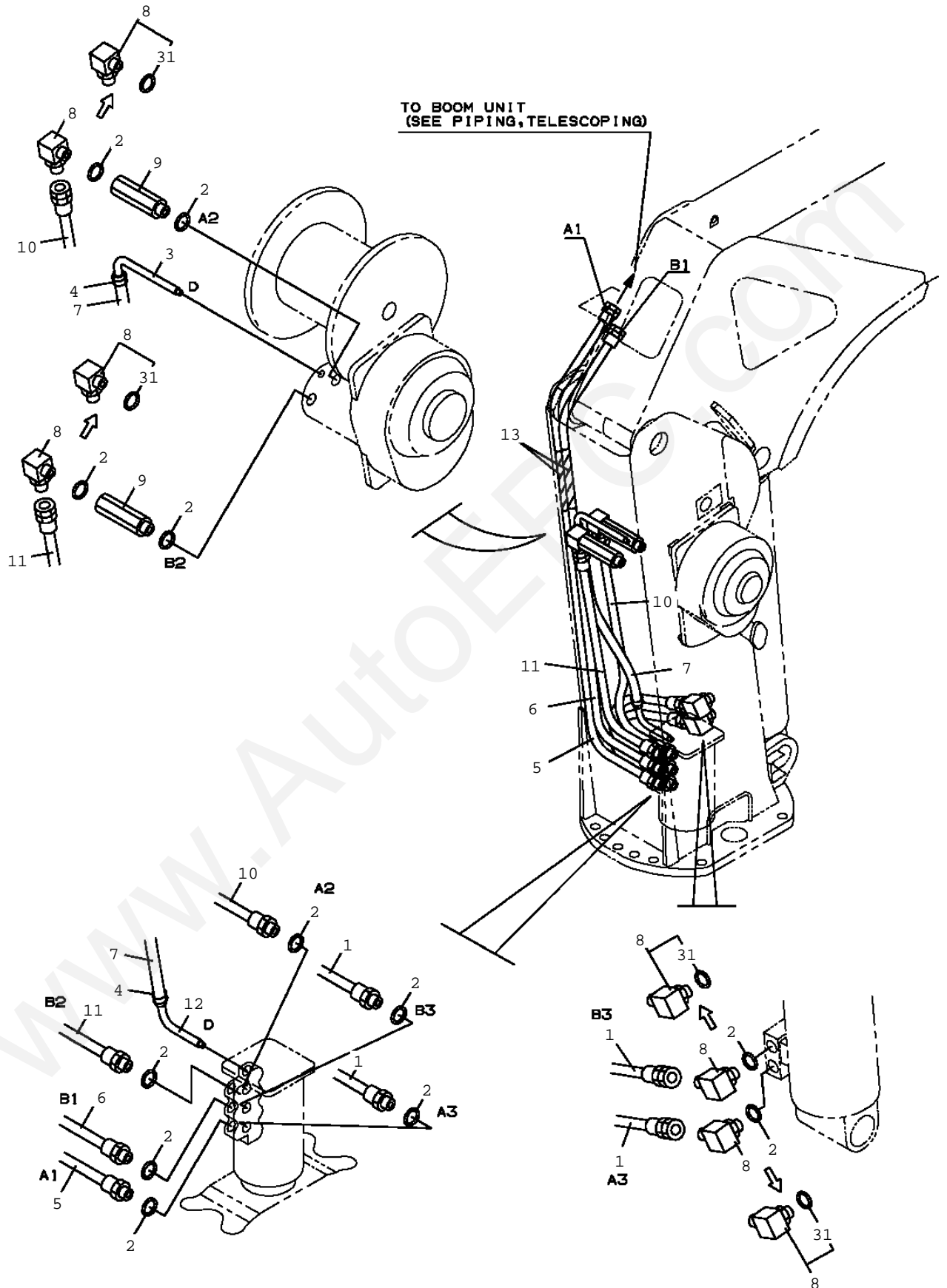
1	オペ .ASSY,ソウサバルブ OPE.ASSY,CONT.VALVE
2	パイピング,ロー (メイン 1 OR 2 OR 4レンバルブ) PIPING,LOWER
3	プレートASSY,ネーム PLATE ASSY,NAME
4	パイピング,ロー PIPING,LOWER (MAIN R/J VALVE)
5	バルブ,マニアル コントロール VALVE,MANUAL CONTROL

**TM-ZR300 31014010170A FRAME/SL, MANUAL, HOOK-IN**

Pos No.	Parts No	Parts Name	Qty	Unit	Technical Data	S
1	(***** )	OPE. ASSY, CONT. VALVE (POWER SUPPLY)	1			
2	(***** )	PIPING, LOWER (MAIN--OPT. VALVE)	1			
3	(***** )	PLATE ASSY, NAME (POWER SUPPLY)	1			
4	(***** )	PIPING, LOWER (MAIN--R/J VALVE)	1			
5	3663561000	VALVE, MANUAL CONTROL (POWER SUPPLY)	1			

www.AutoEPC.com

TM-ZR300 31014010170A FRAME/SL, MANUAL, HOOK-IN  
PB1400298-03 PIPING, UPPER

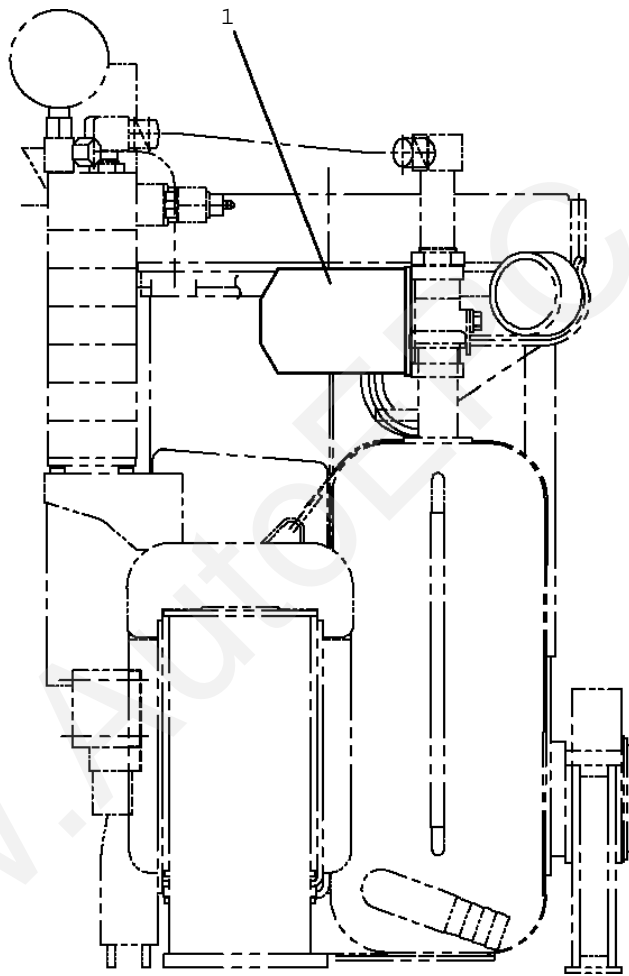


**TM-ZR300 31014010170A FRAME/SL, MANUAL, HOOK-IN**

Pos No.	Parts No	Parts Name	Qty	Unit	Technical Data	Serial No (Start)
1	37002448730	HOSE	2		L=330	
2	91002801400	O-RING	12		1B P14	
	91002801400	O-RING	8		1B P14	ES4240
3	37000804580	JOINT	1			
4	91803880070	CLIP	2		D=13.1-16.2	
5	37002459330	HOSE	1		L=1360	
6	37002459320	HOSE	1		L=1300	
7	37002501360	HOSE	1		L=450	
8	80481103030	JOINT	4		L,G3/8-G3/8	
	80430620600	JOINT (WITH O-RING)	4		L,G3/8-G3/8	ES4240
9	37000920990	JOINT	2			
10	37002480680	HOSE	1		L=600	
	37002448850	HOSE	1		L=600	
11	37002448860	HOSE	1		L=560	
	37002480670	HOSE	1		L=560	
12	37000800310	JOINT	1			
13	82100001412	TUBE, SPIRAL	1	M	SE-12BK	ES6476
31	91002801400	O-RING	4		1B P14	ES4240

www.AutoEPC.com

TM-ZR300 31014010170A FRAME/SL, MANUAL, HOOK-IN  
PB1410912-01 PIPING, LOWER (REPLACE FILTER)



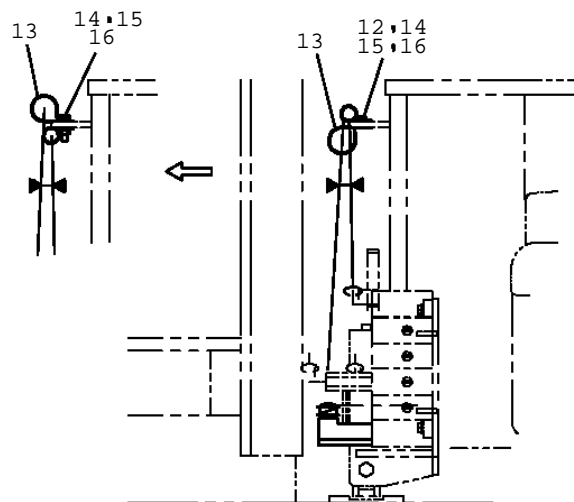
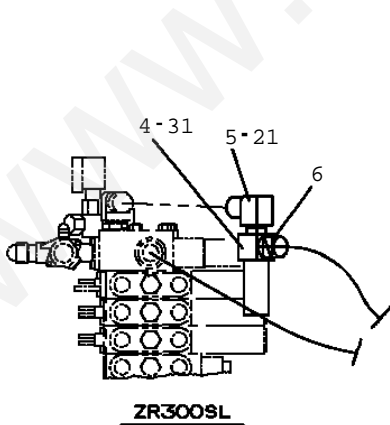
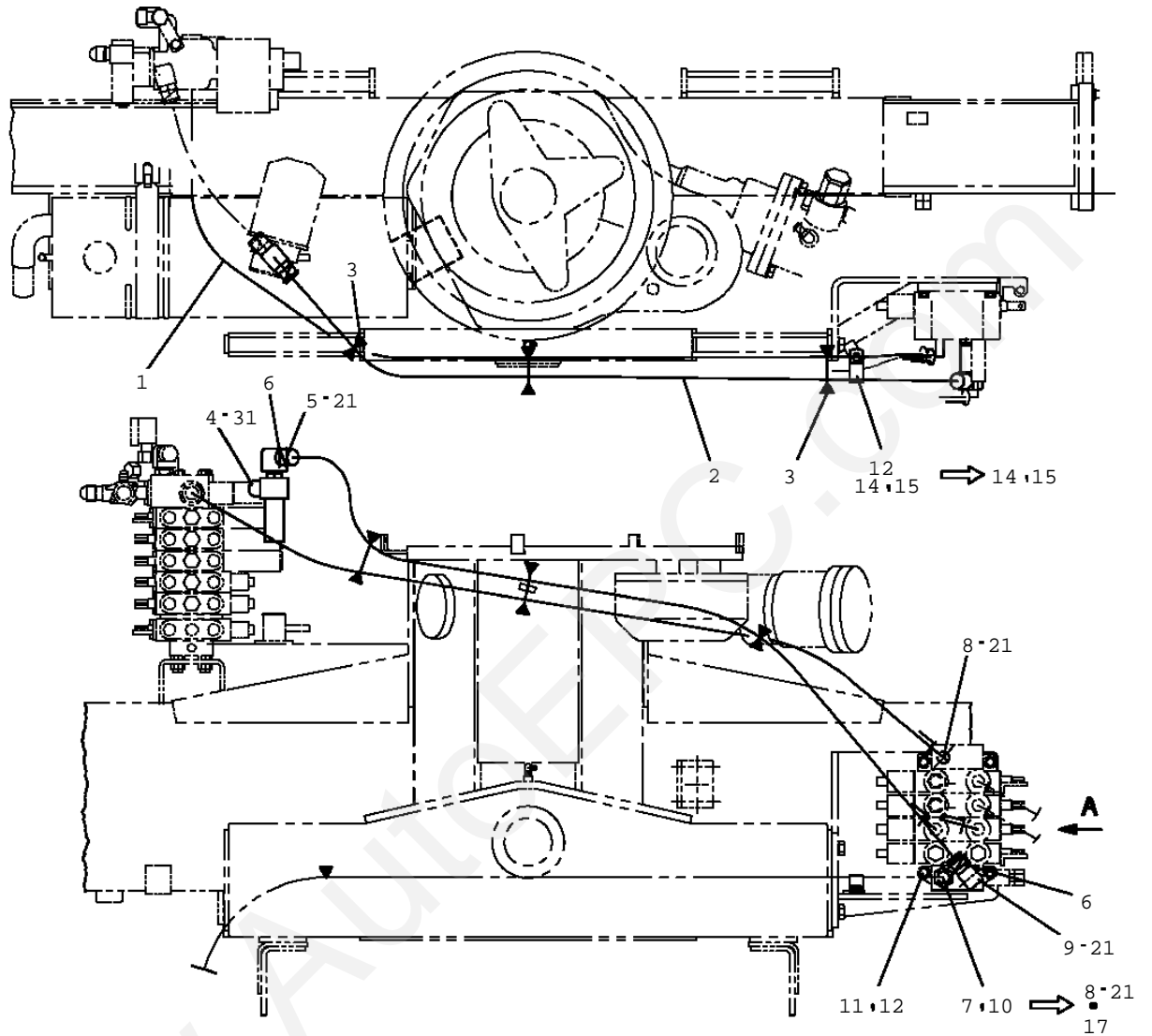


**TM-ZR300 31014010170A FRAME/SL, MANUAL, HOOK-IN**

Pos No.	Parts No	Parts Name	Qty	Unit	Technical Data	Serial No (Start)	Ser
1	36672580000	FILTER,CARTRIDGE	1				

www.AutoEPC.com

TM-ZR300 31014010170A FRAME/SL, MANUAL, HOOK-IN  
 PB1410978-02 PIPING, LOWER (MAIN--R/J VALVE)

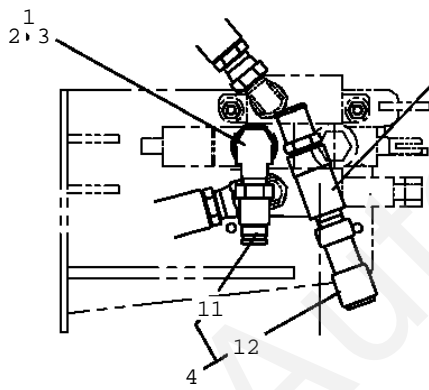
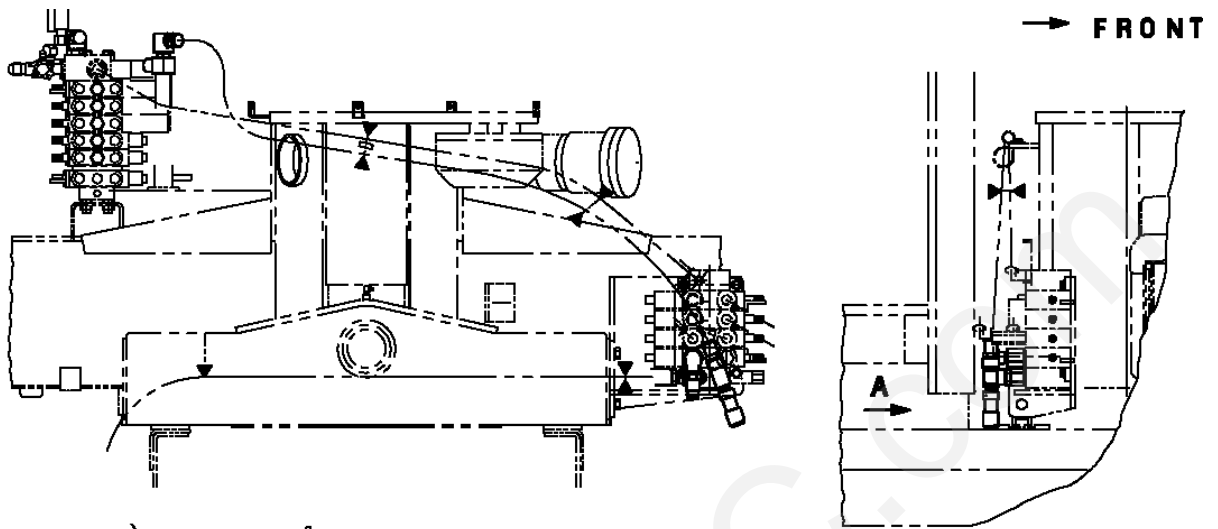


**TM-ZR300 31014010170A FRAME/SL, MANUAL, HOOK-IN**

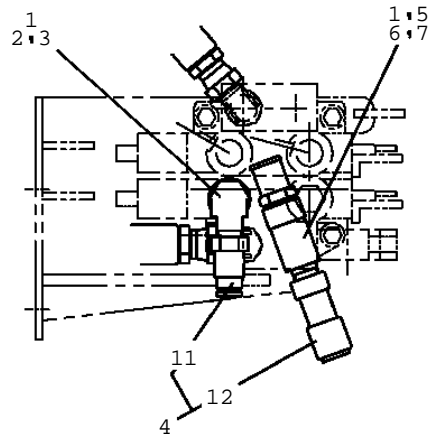
Pos No.	Parts No	Parts Name	Qty	Unit	Technical Data	Serial No (Start)
1	37002439750	HOSE <L=1625.	1			
2	37002511190	HOSE	1		L=1370	
3	91810130270	FASTENER	2			
4	80400160203	JOINT (WITH O-RING)	1			
5	80400160182	JOINT (WITH O-RING)	1			
6	91803600400	CLIP	2		D=27-40	
8	80430620800	JOINT	2			
9	80400160189	JOINT	1			
11	90171108025	BOLT	4		M8X25	
12	90302040801	WASHER, SPRING	4		8	
13	37000604210	CLAMP	1		D=36	
14	82100002015	CLAMP	2		WRC20	
15	90186208030	BOLT, FLANGE	2		M8X30	
16	90280200800	NUT, FLANGE	1		M8	
17	37000924110	JOINT	1		S, G1/2-G1/2	
21	91002801800	O-RING	4		1B P18	
31	91002802900	O-RING	1		1B P29	

www.AutoEPC.com

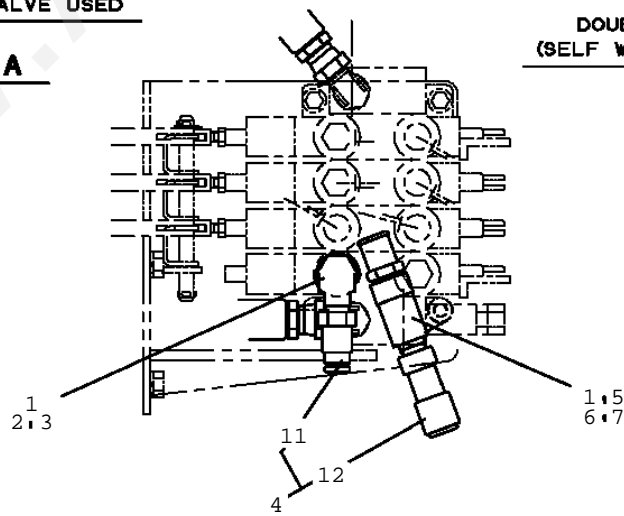
TM-ZR300 31014010170A FRAME/SL, MANUAL, HOOK-IN  
 PB1410979-01 PIPING, LOWER (MAIN--OPT. VALVE)



**SINGLE VALVE USED**



**DOUBLET VALVE USED  
 (SELF WINCH, SERVICE PORT)**



**QUADRUPET VALVE USED  
 (REAR JACK, SELF WINCH,  
 SERVICE PORT)**

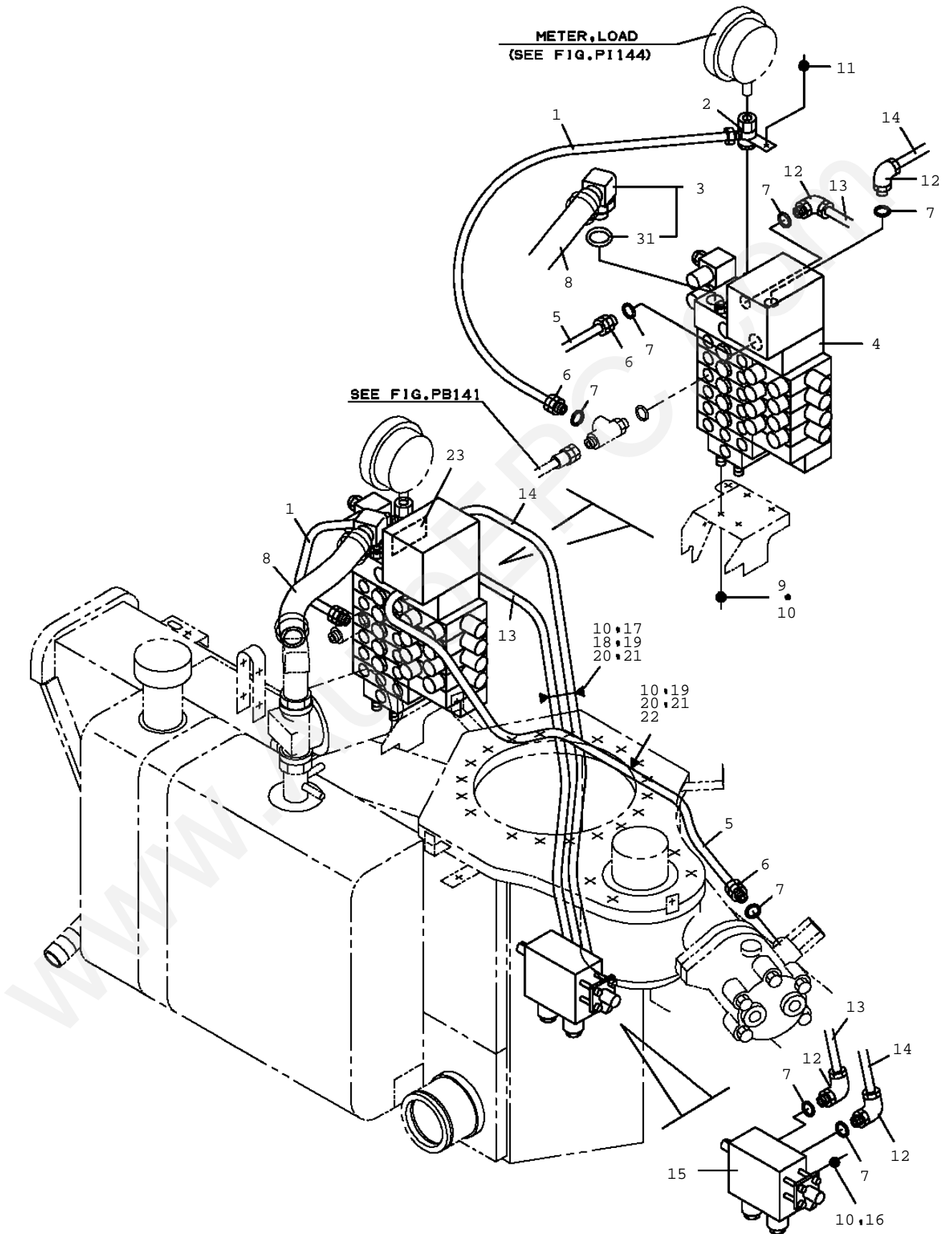
**A**

**TM-ZR300 31014010170A FRAME/SL,MANUAL,HOOK-IN**

Pos No.	Parts No	Parts Name	Qty	Unit	Technical Data	Serial No (Start)	S
1	91002801800	O-RING	4		1B P18		
2	37000925460	JOINT	1				
3	31641050100	JOINT	1				
4	36671630000	JOINT,SELF SEALING	1				
5	37000903570	JOINT	1				
6	37000924860	JOINT	1				
7	37000924320	JOINT	1				
11	36671635010	JOINT,SELF SEALING	1				
12	36671635020	JOINT,SELF SEALING	1				

www.AutoEPC.com

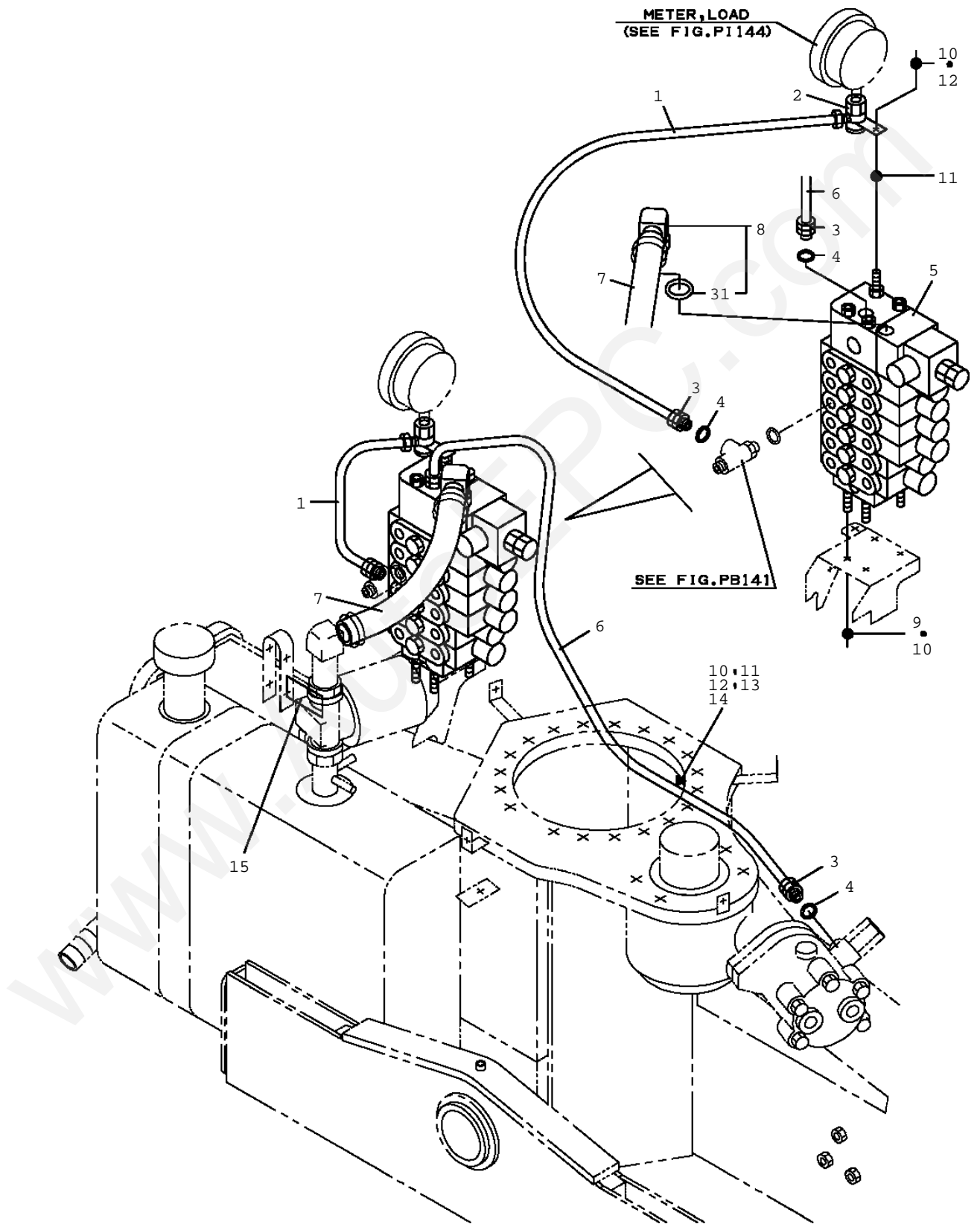
TM-ZR300 31014010170A FRAME/SL, MANUAL, HOOK-IN  
 PB1410994-01 PIPING, LOWER (REMOTE CONT. VALVE/NACHI)



**TM-ZR300 31014010170A FRAME/SL,MANUAL,HOOK-IN**

Pos No.	Parts No	Parts Name	Qty	Unit	Technical Data	Serial No
1	81408000100	PIPE,STEEL	1	M	10X1.2T	
2	31644592100	JOINT,ROTARY	1			
3	80400160182	JOINT (WITH O-RING)	1			
4	36648030000	VALVE,REMOTE CONTROL (NACHI)	1			
5	81408000100	PIPE,STEEL	2	M	10X1.2T	
6	80302120060	FITTING	3		POA10PF1/4	
7	91002801100	O-RING	7		1B P11	
8	37002504300	HOSE	1		L=335	
9	90201780800	NUT	4		M8	
10	90302040801	WASHER,SPRING	8		8	
11	90186208014	BOLT,FLANGE	1		M8X14	
12	80303210040	FITTING,ELBOW	4			
13	81408000081	PIPE,STEEL	1	M	8X1.2T	
14	81408000081	PIPE,STEEL	1	M	8X1.2T	
15	36062800000	CYLINDER,ACCELERATOR	1			
16	90101208070	BOLT	2		M8X70	
17	37000312580	SLEEVE	2			
18	90101208035	BOLT	1		M8X35	
19	37005700130	CLAMP	3		10X2	
20	90201200800	NUT	2		M8	
21	90303070801	WASHER,PLAIN	2		8	
22	90101208055	BOLT	1		M8X55	
23	31490000210	PLATE,CAUTION	1			
31	91002801800	O-RING	1		1B P18	

TM-ZR300 31014010170A FRAME/SL, MANUAL, HOOK-IN  
PB1410996-00 PIPING, LOWER (VALVE/NABCO)



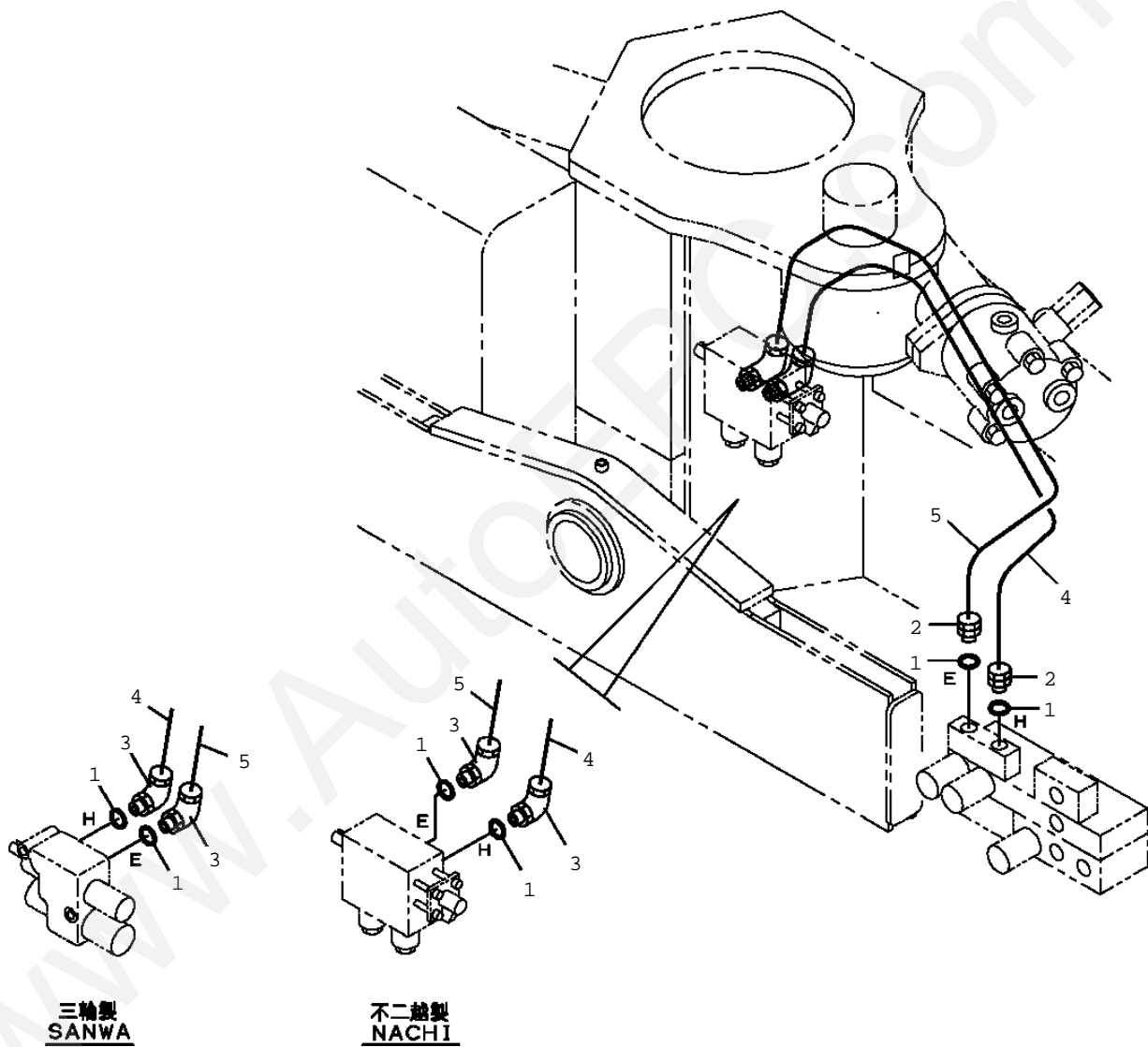


**TM-ZR300 31014010170A FRAME/SL,MANUAL,HOOK-IN**

Pos No.	Parts No	Parts Name	Qty	Unit	Technical Data	Serial No
1	81408000100	PIPE,STEEL	1	M	10X1.2T	
2	31644592100	JOINT,ROTARY	1			
3	80302120060	FITTING	3		POA10PF1/4	
4	91002801100	O-RING	3		1B P11	
5	36637370000	VALVE,MANUAL CONTROL (NABCO)	1			
6	81408000100	PIPE,STEEL	1	M	10X1.2T	
7	37002510990	HOSE	1		L=310	
8	80400160182	JOINT (WITH O-RING)	1			
9	90201780800	NUT	4		M8	
10	90302040801	WASHER,SPRING	6		8	
11	90303070801	WASHER,PLAIN	2		8	
12	90201200800	NUT	2		M8	
13	90101208055	BOLT	1		M8X55	
14	37005700130	CLAMP	2		10X2	
15	31490000210	PLATE,CAUTION	1			
31	91002801800	O-RING	1		1B P18	

www.AutoEPC.com

TM-ZR300 31014010170A FRAME/SL, MANUAL, HOOK-IN  
PB1411255-01 PIPING, LOWER (ACCEL. CYL. -1 BLOCK VALVE)

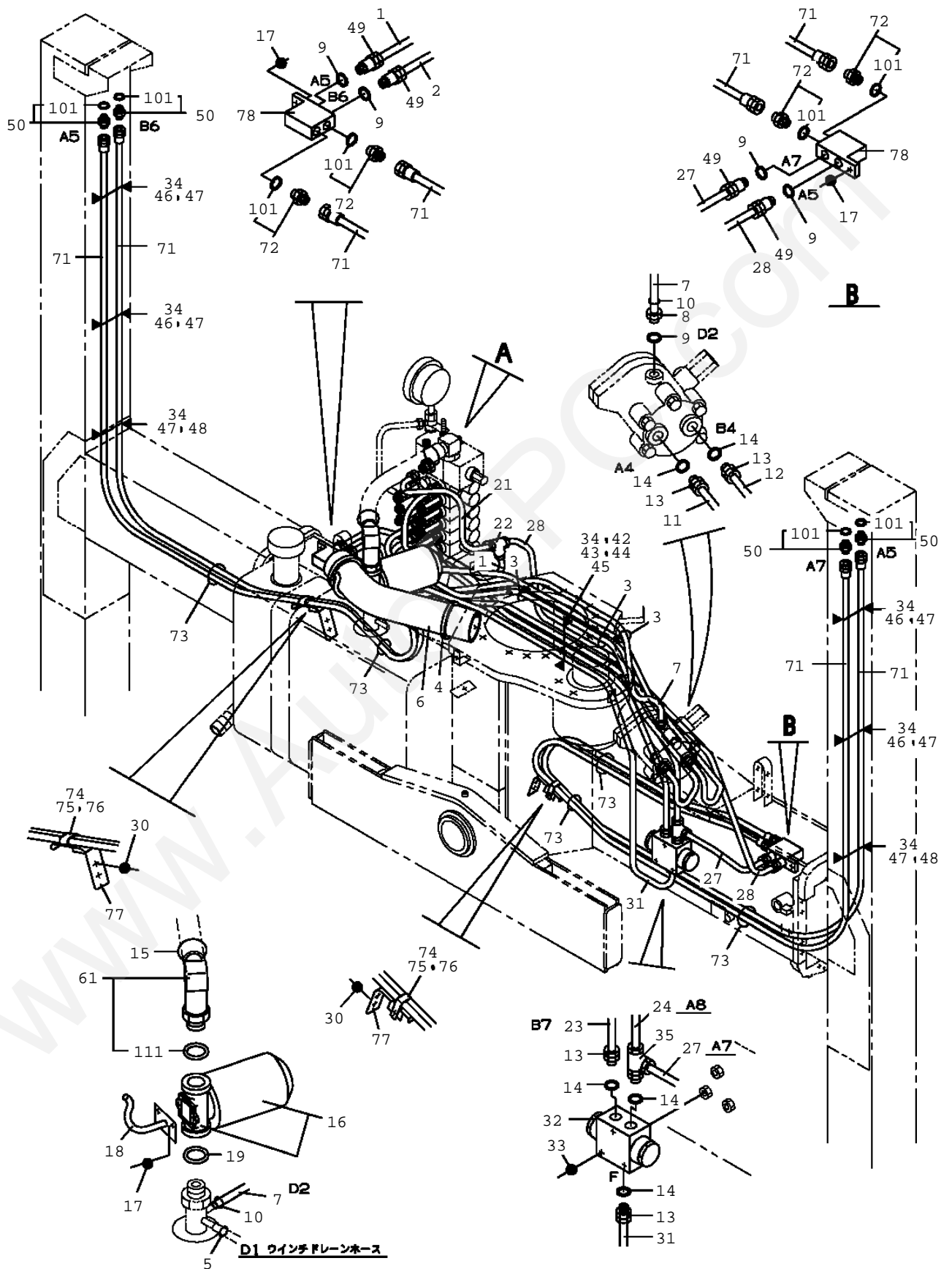


**TM-ZR300 31014010170A FRAME/SL,MANUAL,HOOK-IN**

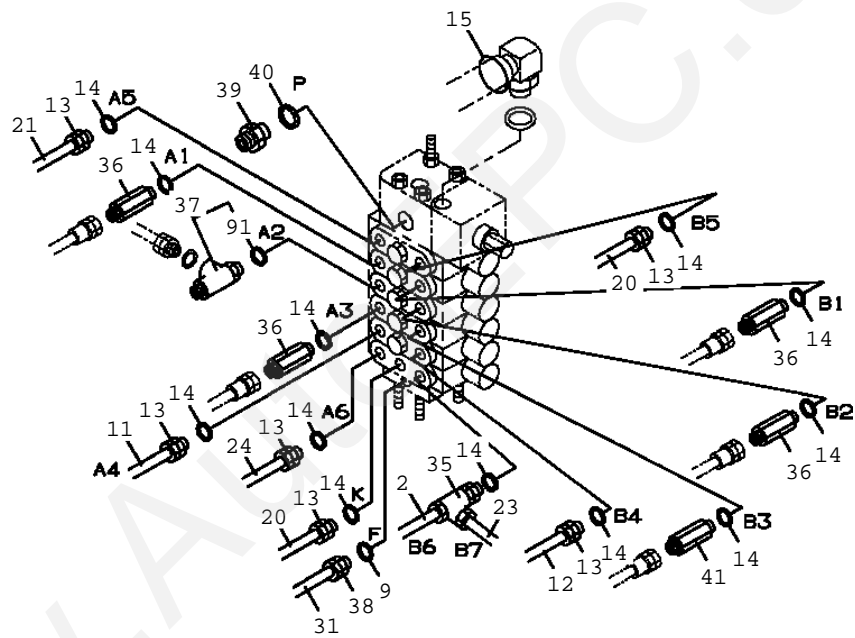
Pos No.	Parts No	Parts Name	Qty	Unit	Technical Data	Serial No (Start)	Serial
1	91002801100	O-RING	4		1B P11		
2	80302120040	FITTING	2		POA08PF1/4		
3	80303210040	FITTING,ELBOW	2				
4	81408000081	PIPE,STEEL	2	M	8X1.2T		
5	81408000081	PIPE,STEEL	2	M	8X1.2T		

www.AutoEPC.com

TM-ZR300 31014010170A FRAME/SL, MANUAL, HOOK-IN  
 PB1411832-00 PIPING, LOWER



TM-ZR300 31014010170A FRAME/SL, MANUAL, HOOK-IN  
PB1411832-00 PIPING, LOWER

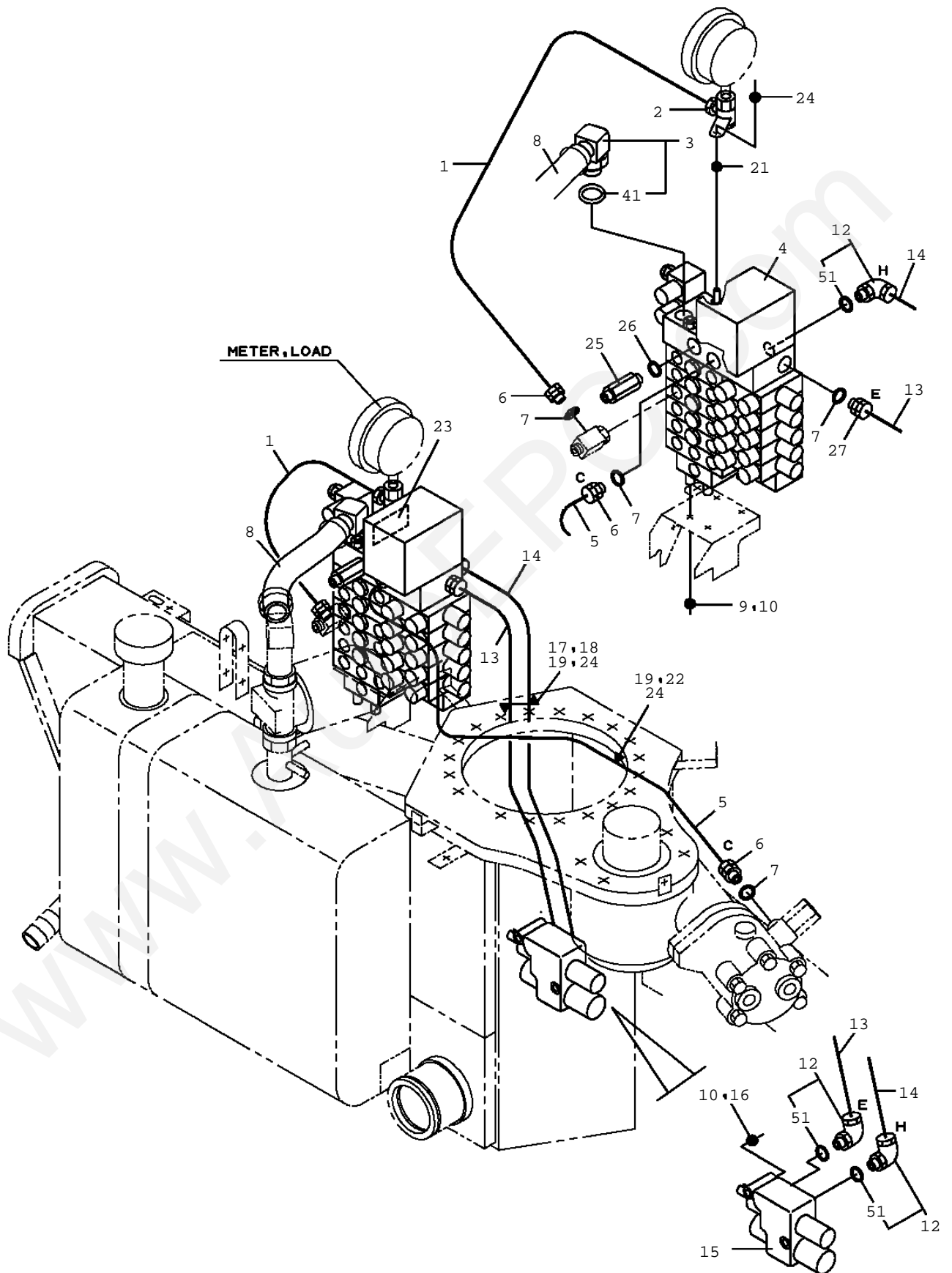


**A**

**TM-ZR300 31014010170A FRAME/SL,MANUAL,HOOK-IN**

Pos No.	Parts No	Parts Name	Qty	Unit	Technical Data	Serial No (St
1	81408000100	PIPE,STEEL	1	M	10X1.2T	
2	81408000100	PIPE,STEEL	1	M	10X1.2T	
3	91810130240	FASTENER	3			
4	91810130270	FASTENER	2			
5	91803600200	CLIP	1		D=13-20	
6	31641800300	COVER	1			
7	37002500190	HOSE	1		L=1300	
8	31644591300	JOINT	1			
9	91002801100	O-RING	6		1B P11	
10	91803880070	CLIP	2		D=13.1-16.2	
11	81408000100	PIPE,STEEL	2	M	10X1.2T	
12	81408000100	PIPE,STEEL	2	M	10X1.2T	
13	80302090121	FITTING	10		KCO10-030N	
14	91002801400	O-RING	17		1B P14	
15	91803600400	CLIP	2		D=27-40	
16	36672280000	FILTER,OIL (YAMASHIN)	1			
17	90186210014	BOLT,FLANGE	4		M10X14	
18	31642781200	SUPPORT	1			
19	91002802900	O-RING	1		1B P29	
20	81408000100	PIPE,STEEL	1	M	10X1.2T	
21	81408000100	PIPE,STEEL	1	M	10X1.2T	
22	80305010080	FITTING,TEE	1		KTA10-000N	
23	81408000100	PIPE,STEEL	2	M	10X1.2T	
24	81408000100	PIPE,STEEL	2	M	10X1.2T	
27	81408000100	PIPE,STEEL	1	M	10X1.2T	
28	81408000100	PIPE,STEEL	2	M	10X1.2T	
30	90186208014	BOLT,FLANGE	4		M8X14	
31	81408000100	PIPE,STEEL	2	M	10X1.2T	
32	36611670000	VALVE,FLOW CONTROL	1			
33	90172106032	BOLT,HEXAGON SOCKET	3		M6X32	
34	90302040801	WASHER,SPRING	9		8	
35	80305120100	FITTING	2			
36	80481003037	JOINT	4			
37	80400160180	JOINT (WITH O-RING)	1			
38	80302120060	FITTING	1		POA10PF1/4	
39	80400160131	JOINT	1			
40	91002801800	O-RING	1		1B P18	
41	80481003027	JOINT	1			
42	90201200800	NUT	1		M8	
43	90303070801	WASHER,PLAIN	1		8	
44	37005700130	CLAMP	2		10X2	
45	90101208055	BOLT	1		M8X55	
46	82100002039	CLAMP	4			
47	90240200800	NUT,CAP	8		M8	
48	37000600920	CLAMP	2		L=90	
49	37000924350	FITTING	4			
50	80491002020	JOINT (WITH O-RING)	4			
61	80400160202	JOINT (FOR RETURN FILTER)	1			
71	37002455340	HOSE	4		L=2840	
72	80491002020	JOINT (WITH O-RING)	4			
73	91810130240	FASTENER	6			
74	31642591240	CLAMP	2		12X2	
75	90186208014	BOLT,FLANGE	2		M8X14	
76	90280200800	NUT,FLANGE	2		M8	
77	31642851530	SUPPORT	2			
78	31644591450	JOINT	2			
91	91002801400	O-RING	1		1B P14	
101	91002801100	O-RING	8		1B P11	
111	91002802900	O-RING	1		1B P29	

TM-ZR300 31014010170A FRAME/SL, MANUAL, HOOK-IN  
PB1411876-00 PIPING, LOWER (REMOTE CONT. VALVE/SANWA)



**TM-ZR300 31014010170A FRAME/SL, MANUAL, HOOK-IN**

Pos No.	Parts No	Parts Name	Qty	Unit	Technical Data	Serial No (Start)
1	81408000100	PIPE, STEEL	1	M	10X1.2T	
2	31644592100	JOINT, ROTARY	1			
3	80400160182	JOINT (WITH O-RING)	1			
4	36741360000	VALVE, REMOTE CONTROL	1			
5	81408000100	PIPE, STEEL	2	M	10X1.2T	
6	80302090101	FITTING	3		KCO10-020N	
7	91002801100	O-RING	4		1B P11	
8	37002504300	HOSE	1		L=335	
9	90201780800	NUT	4		M8	
10	90302040801	WASHER, SPRING	6		8	
12	80303130081	FITTING, ELBOW	3		KLO08-020E	
13	81408000081	PIPE, STEEL	1	M	8X1.2T	
14	81408000081	PIPE, STEEL	1	M	8X1.2T	
15	36062820000	CYLINDER, ACCELERATOR	1			
16	90101208070	BOLT	2		M8X70	
17	37000312580	SLEEVE	2			
18	90101208035	BOLT	1		M8X35	
19	37005700130	CLAMP	3		10X2	
21	90303070801	WASHER, PLAIN	1		8	
22	90101208055	BOLT	1		M8X55	
23	31490000210	PLATE, CAUTION	1			
24	90280200800	NUT, FLANGE	3		M8	
25	80481004042	JOINT	1			
26	91002801800	O-RING	1		1B P18	
27	80302090081	FITTING	1		KCO80-020N	
41	91002801800	O-RING	1		1B P18	
51	91002801100	O-RING	3		1B P11	



TM-ZR300 31014010170A FRAME/SL,MANUAL,HOOK-IN  
PB2000050-00 POWER TAKE OFF & PUMP

- 1
- POWER TAKE OFF ASSY
  - PTO ASSYの選定

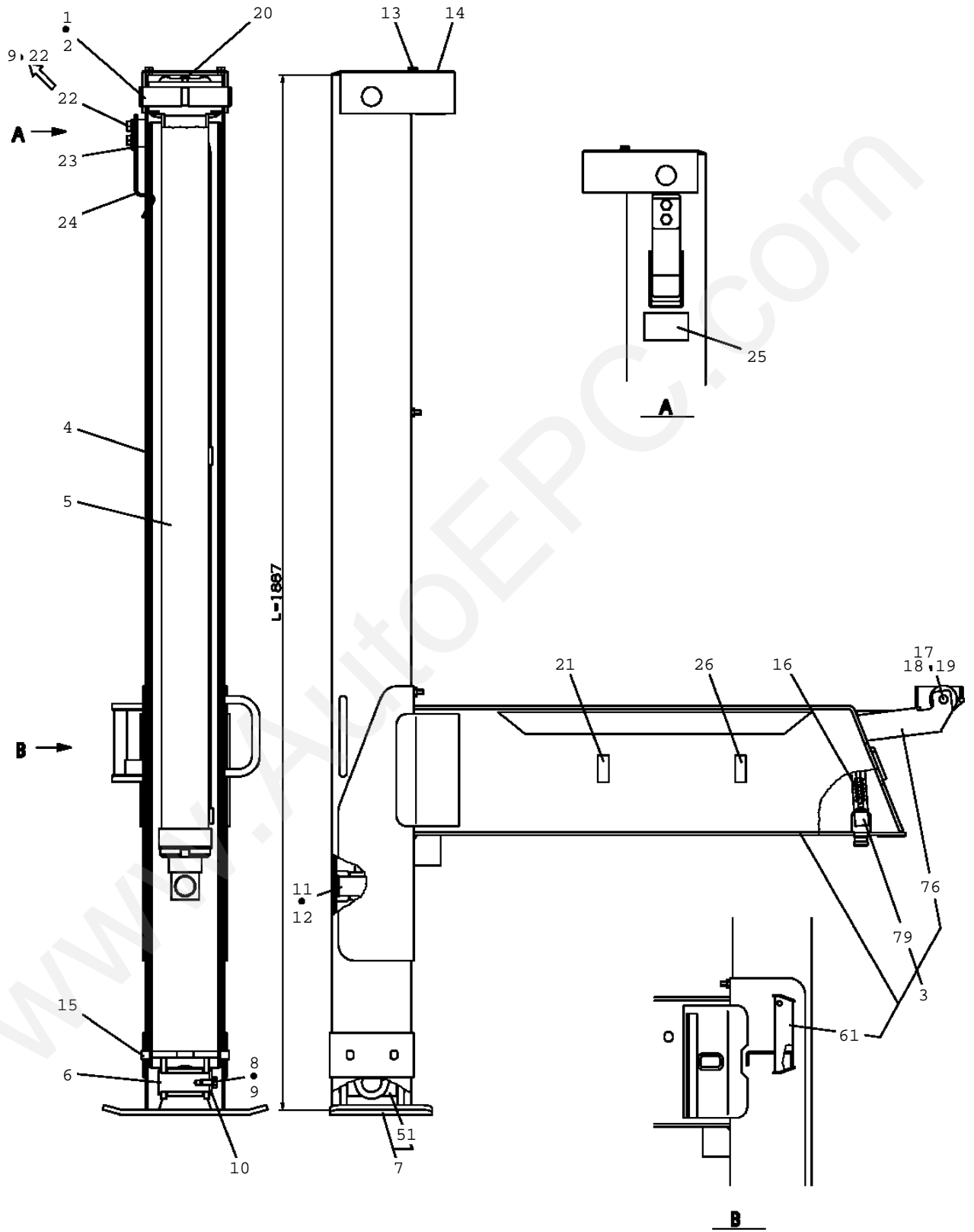
- 2
- PUMP ASSY
  - ポンプASSYの選定

**TM-ZR300 31014010170A FRAME/SL,MANUAL,HOOK-IN**

Pos No.	Parts No	Parts Name	Qty	Unit	Technical Data	Serial
1	(***** )	POWER TAKE OFF ASSY (SELECTION)	1			
2	(***** )	PUMP ASSY (SELECTION)	1			

www.AutoEPC.com

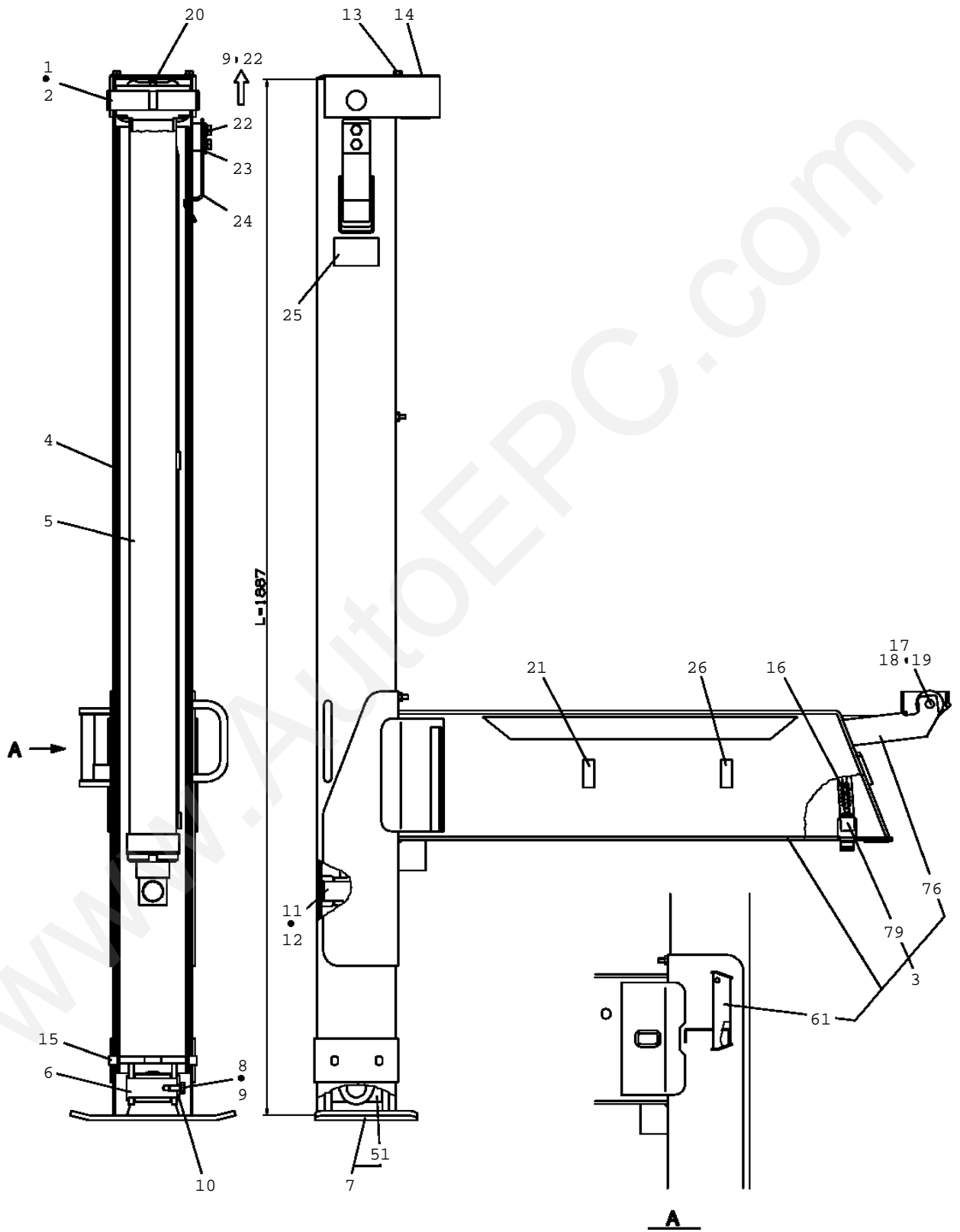
TM-ZR300 31014010170A FRAME/SL, MANUAL, HOOK-IN  
PC1010746-02 OUTRIGGER (LEFT, 4TON)



**TM-ZR300 31014010170A FRAME/SL,MANUAL,HOOK-IN**

Pos No.	Parts No	Parts Name	Qty	Unit	Technical Data	Serial No (S
1	37000161720	PIN	1			
2	80601110350	RING,RITAINING	2		S35	
3	31612602001	CASE, OUTER	1			
4	31611302001	CASE, INNER	1			
5	(*****)	CYLINDER,JACK (MIN=1440)	1			
6	37000104130	PIN	1			
7	31610055000	FLOAT ASSY	1			
8	90191210020	BOLT	2		M10X20	
9	90302041001	WASHER, SPRING	4		10	
10	31200030530	PLATE	1			
11	37000161730	PIN	1			
12	80602110350	RING,RITAINING	2		R35	
13	90186208014	BOLT, FLANGE	2		M8X14	
14	31612600500	COVER	1			
15	31201770100	PLATE, SLIDE	8		T=3.0	
16	(*****)	OPE.ASSY, OUTRIGGER	1			
17	80530000225	BEARING,BALL (KOYO)	2			
	31620582020	BEARING,BALL (KOYO)	2			
18	80601110150	RING,RITAINING	2		15	KB7532
19	37000150360	PIN	1			
20	82401800100	PLUG (FOR M10)	1			
21	31611300600	PLATE,NAME (YELLOW)	2			
22	90171110020	BOLT	2		M10X20	
23	50822014000	PLATE	1			
24	37001400200	SPRING	1			
25	37002217610	PLATE, CAUTION (CAUTION)	1			
26	31611300500	PLATE,NAME (WHITE)	2			
51	31610055010	TRUNNION	1			
61	31621963200	SUPPORT	1			
76	31612609510	SUPPORT	1			
79	31621963101	SUPPORT	1			

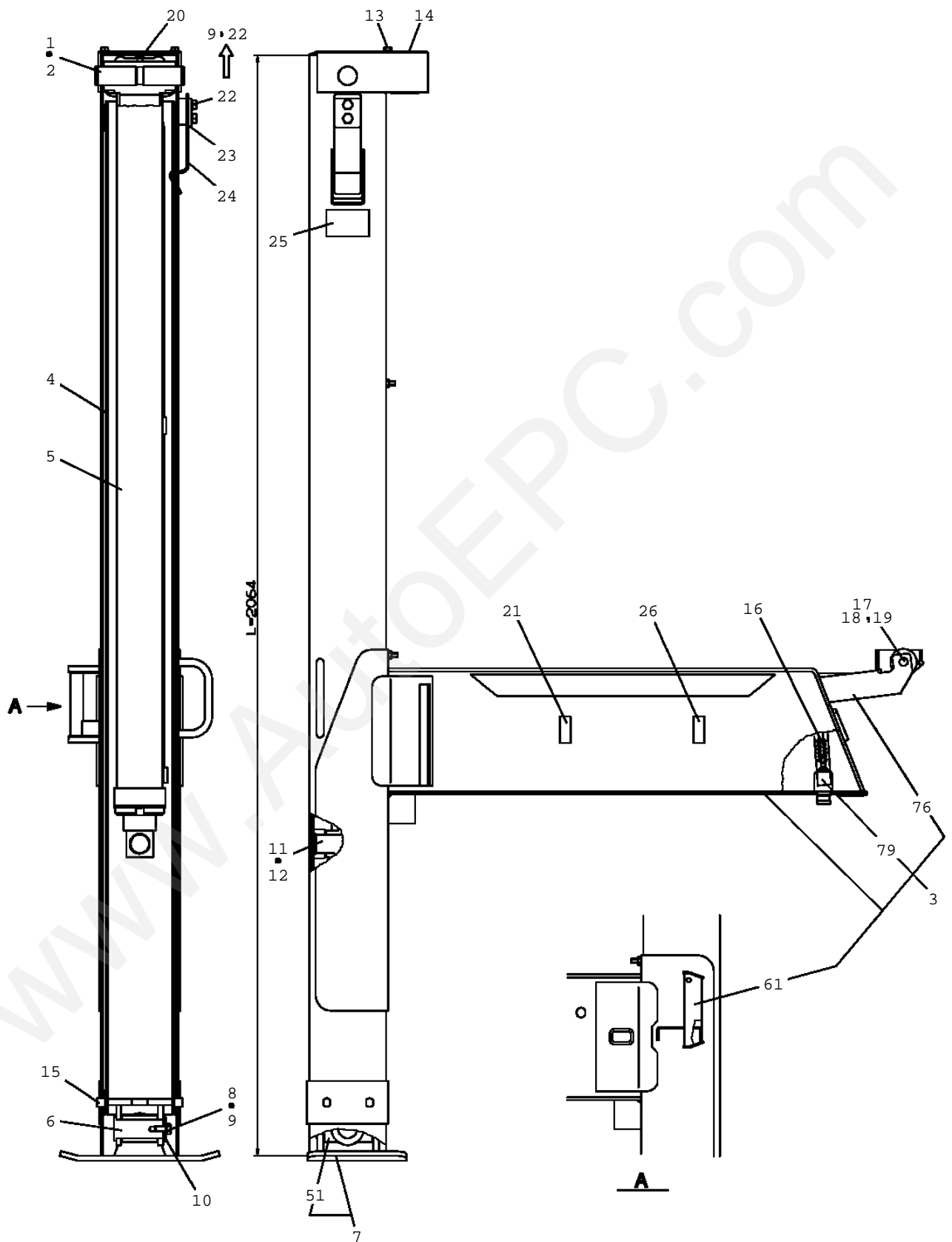
TM-ZR300 31014010170A FRAME/SL, MANUAL, HOOK-IN  
PC1010747-02 OUTRIGGER (RIGHT, 4TON)



**TM-ZR300 31014010170A FRAME/SL,MANUAL,HOOK-IN**

Pos No.	Parts No	Parts Name	Qty	Unit	Technical Data	Serial No (S
1	37000161720	PIN	1			
2	80601110350	RING,RITAINING	2		S35	
3	31612601001	CASE, OUTER	1			
4	31611302001	CASE, INNER	1			
5	(*****)	CYLINDER,JACK (MIN=1440)	1			
6	37000104130	PIN	1			
7	31610055000	FLOAT ASSY	1			
8	90191210020	BOLT	2		M10X20	
9	90302041001	WASHER, SPRING	4		10	
10	31200030530	PLATE	1			
11	37000161730	PIN	1			
12	80602110350	RING,RITAINING	2		R35	
13	90186208014	BOLT, FLANGE	2		M8X14	
14	31612600500	COVER	1			
15	31201770100	PLATE, SLIDE	8		T=3.0	
16	(*****)	OPE.ASSY, OUTRIGGER	1			
17	80530000225	BEARING,BALL (KOYO)	2			
	31620582020	BEARING,BALL (KOYO)	2			
18	80601110150	RING,RITAINING	2		15	KB7532
19	37000150360	PIN	1			
20	82401800100	PLUG (FOR M10)	1			
21	31611300600	PLATE,NAME (YELLOW)	2			
22	90171110020	BOLT	2		M10X20	
23	50822014000	PLATE	1			
24	37001400200	SPRING	1			
25	37002217610	PLATE,CAUTION (CAUTION)	1			
26	31611300500	PLATE,NAME (WHITE)	2			
51	31610055010	TRUNNION	1			
61	31621963200	SUPPORT	1			
76	31612609510	SUPPORT	1			
79	31621963101	SUPPORT	1			

TM-ZR300 31014010170A FRAME/SL, MANUAL, HOOK-IN  
PC1010748-02 OUTRIGGER (RIGHT, G-TYPE)

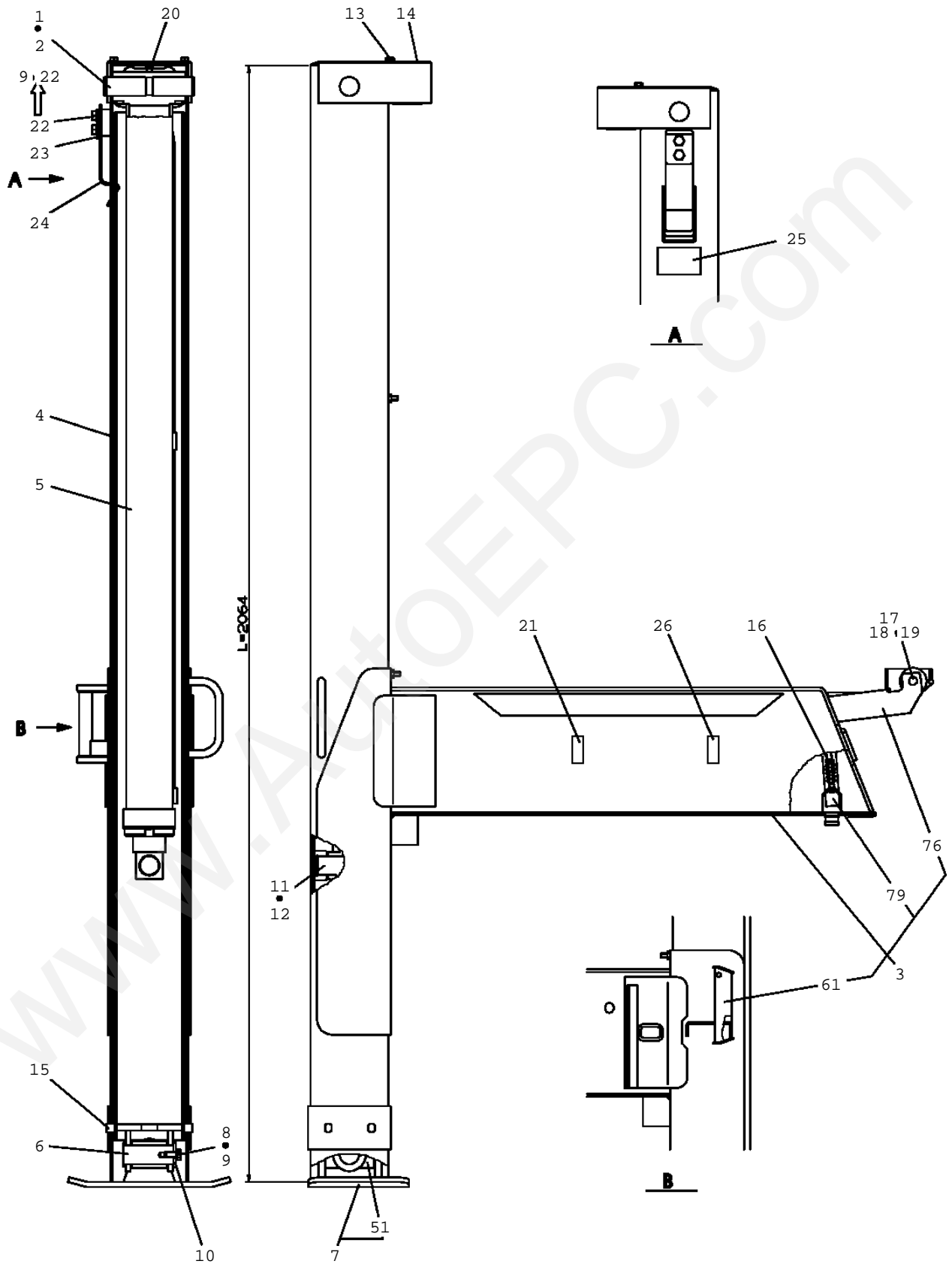


**TM-ZR300 31014010170A FRAME/SL,MANUAL,HOOK-IN**

Pos No.	Parts No	Parts Name	Qty	Unit	Technical Data	Serial No (S
1	37000161720	PIN	1			
2	80601110350	RING,RITAINING	2		S35	
3	31612621001	CASE, OUTER	1			
4	31611922001	CASE, INNER	1			
5	(*****)	CYLINDER,JACK (MIN=1440)	1			
6	37000104130	PIN	1			
7	31610055000	FLOAT ASSY	1			
8	90191210020	BOLT	2		M10X20	
9	90302041001	WASHER, SPRING	4		10	
10	31200030530	PLATE	1			
11	37000161730	PIN	1			
12	80602110350	RING,RITAINING	2		R35	
13	90186208014	BOLT, FLANGE	2		M8X14	
14	31612600500	COVER	1			
15	31201770100	PLATE, SLIDE	8		T=3.0	
16	(*****)	OPE.ASSY, OUTRIGGER	1			
17	80530000225	BEARING,BALL (KOYO)	2			
	31620582020	BEARING,BALL (KOYO)	2			
18	80601110150	RING,RITAINING	2		15	KB7532
19	37000150360	PIN	1			
20	82401800100	PLUG (FOR M10)	1			
21	31611300600	PLATE,NAME (YELLOW)	2			
22	90171110020	BOLT	2		M10X20	
23	50822014000	PLATE	1			
24	37001400200	SPRING	1			
25	37002217610	PLATE, CAUTION (CAUTION)	1			
26	31611300500	PLATE,NAME (WHITE)	2			
51	31610055010	TRUNNION	1			
61	31621963200	SUPPORT	1			
76	31612609510	SUPPORT	1			
79	31621963101	SUPPORT	1			



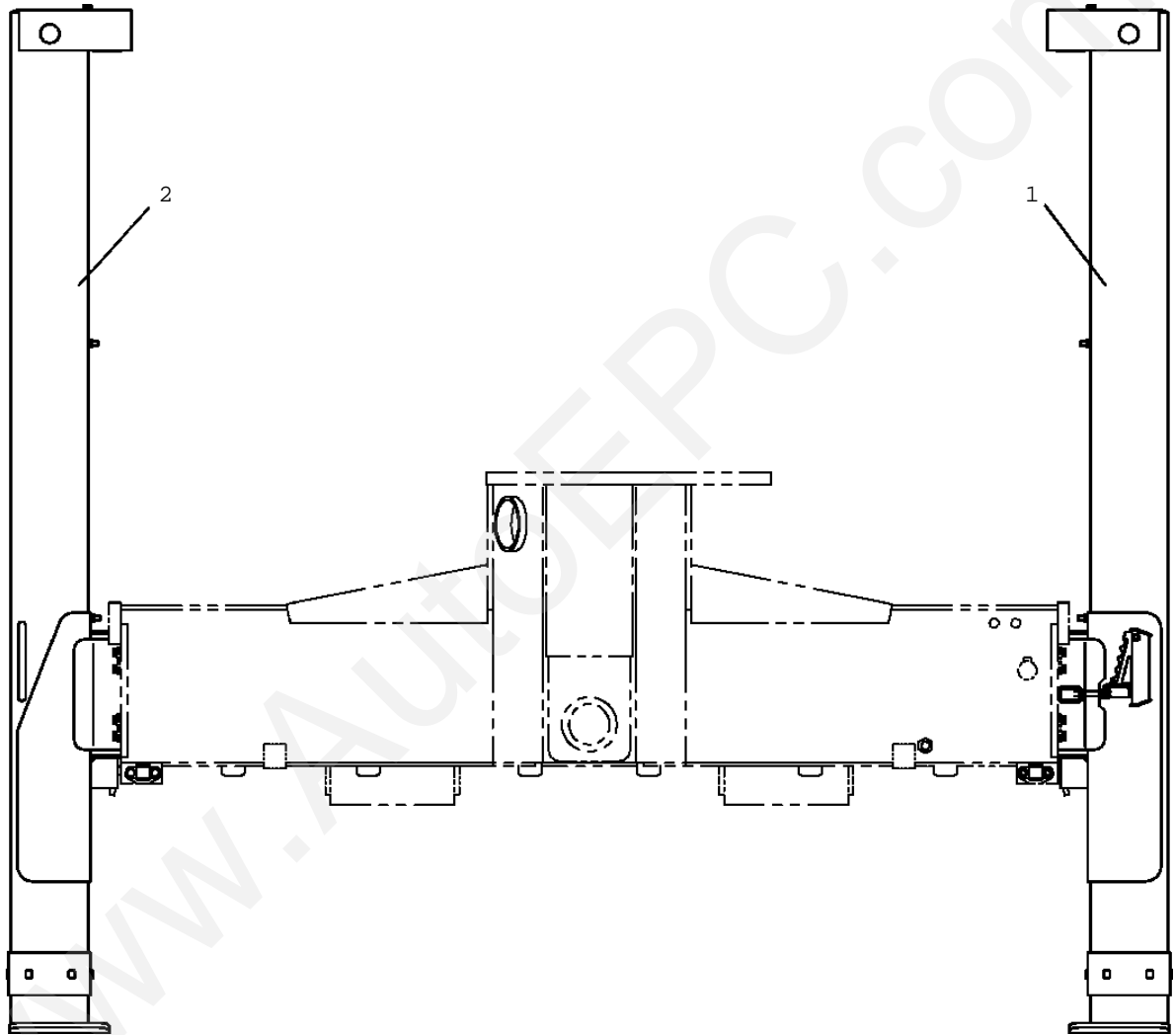
TM-ZR300 31014010170A FRAME/SL, MANUAL, HOOK-IN  
PC1010749-02 OUTRIGGER (LEFT, G-TYPE)



**TM-ZR300 31014010170A FRAME/SL,MANUAL,HOOK-IN**

Pos No.	Parts No	Parts Name	Qty	Unit	Technical Data	Serial No (S
1	37000161720	PIN	1			
2	80601110350	RING,RITAINING	2		S35	
3	31612622001	CASE, OUTER	1			
4	31611922001	CASE, INNER	1			
5	(*****)	CYLINDER,JACK (MIN=1440)	1			
6	37000104130	PIN	1			
7	31610055000	FLOAT ASSY	1			
8	90191210020	BOLT	2		M10X20	
9	90302041001	WASHER, SPRING	4		10	
10	31200030530	PLATE	1			
11	37000161730	PIN	1			
12	80602110350	RING,RITAINING	2		R35	
13	90186208014	BOLT, FLANGE	2		M8X14	
14	31612600500	COVER	1			
15	31201770100	PLATE, SLIDE	8		T=3.0	
16	(*****)	OPE.ASSY, OUTRIGGER	1			
17	80530000225	BEARING,BALL (KOYO)	2			
	31620582020	BEARING,BALL (KOYO)	2			
18	80601110150	RING,RITAINING	2		15	KB7532
19	37000150360	PIN	1			
20	82401800100	PLUG (FOR M10)	1			
21	31611300600	PLATE,NAME (YELLOW)	2			
22	90171110020	BOLT	2		M10X20	
23	50822014000	PLATE	1			
24	37001400200	SPRING	1			
25	37002217610	PLATE, CAUTION (CAUTION)	1			
26	31611300500	PLATE,NAME (WHITE)	2			
51	31610055010	TRUNNION	1			
61	31621963200	SUPPORT	1			
76	31612609510	SUPPORT	1			
79	31621963101	SUPPORT	1			

TM-ZR300 31014010170A FRAME/SL, MANUAL, HOOK-IN  
PC1011119-00 OUTRIGGER (FOR 4TON)

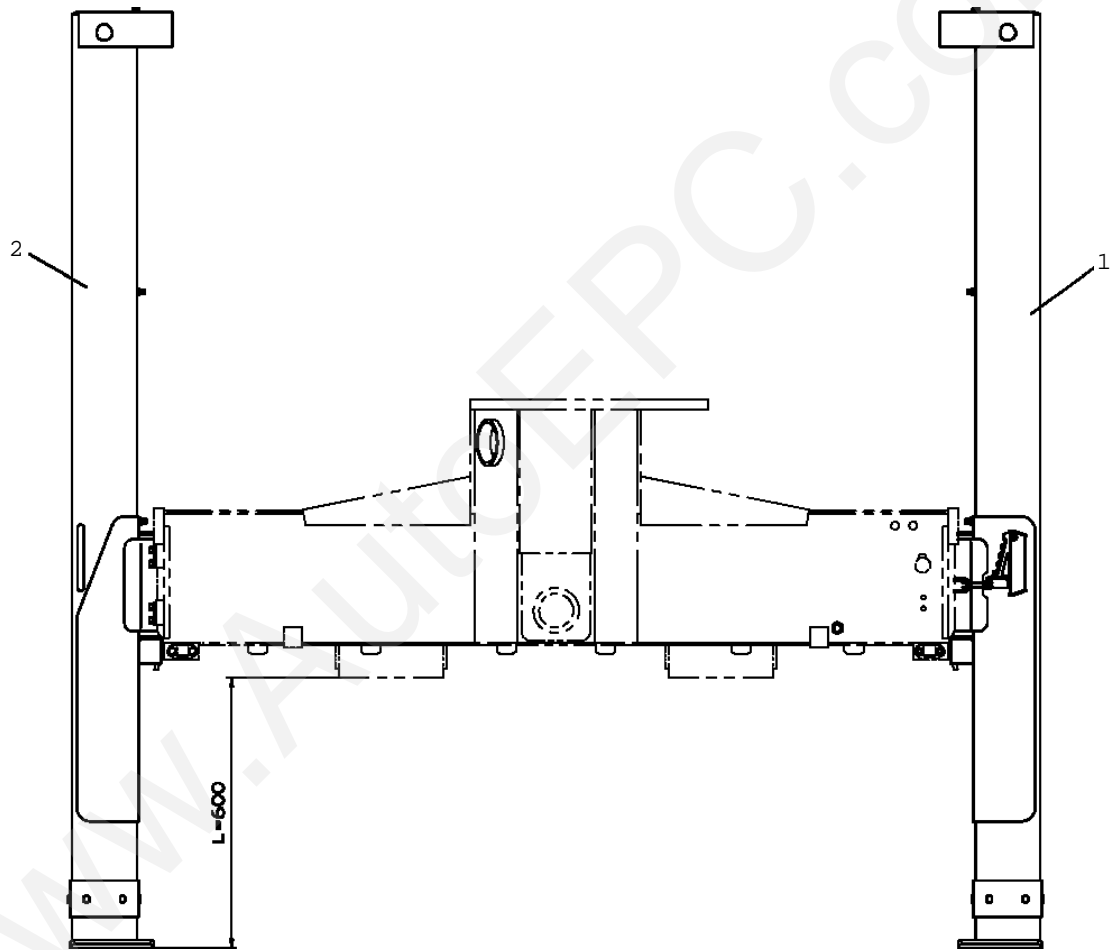


**TM-ZR300 31014010170A FRAME/SL,MANUAL,HOOK-IN**

Pos No.	Parts No	Parts Name	Qty	Unit	Technical Data	Serial No (Sta
1	(***** )	OUTRIGGER (RIGHT, 4TON)	1			
2	(***** )	OUTRIGGER (LEFT, 4TON)	1			

www.AutoEPC.com

TM-ZR300 31014010170A FRAME/SL, MANUAL, HOOK-IN  
PC1011120-01 OUTRIGGER (G-TYPE)

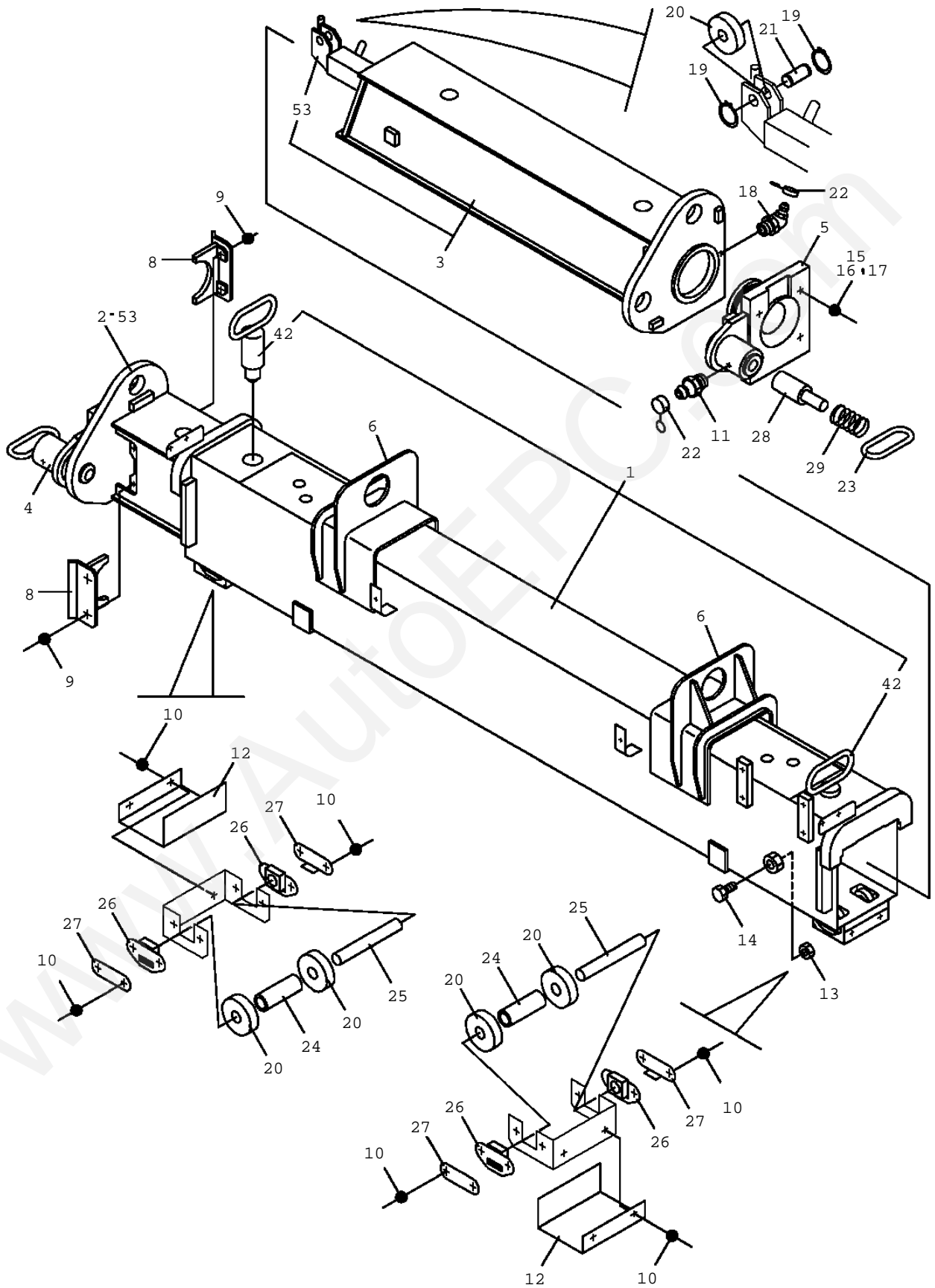


**TM-ZR300 31014010170A FRAME/SL,MANUAL,HOOK-IN**

Pos No.	Parts No	Parts Name	Qty	Unit	Technical Data	Serial No (S
1	(***** )	OUTRIGGER (RIGHT,G-TYPE)	1			
2	(***** )	OUTRIGGER (LEFT,G-TYPE)	1			

www.AutoEPC.com

TM-ZR300 31014010170A FRAME/SL, MANUAL, HOOK-IN  
PC1020003-00 OUTRIGGER, REAR (FRAME)



**TM-ZR300 31014010170A FRAME/SL, MANUAL, HOOK-IN**

Pos No.	Parts No	Parts Name	Qty	Unit	Technical Data	Serial No (Start)
1	31623671001	CASE, OUTER	1			
2	31623672001	CASE, INNER	1			
3	31623673001	CASE, INNER	1			
4	31622004000	SUPPORT (LEFT)	1			
5	31622005000	SUPPORT (RIGHT)	1			
6	31621510100	SUPPORT	2			
8	31622000100	SUPPORT	4			
9	90186208014	BOLT, FLANGE	8		M8X14	
10	90186208010	BOLT, FLANGE	12		M8X10	
11	82456101000	NIPPLE, GREASE	2		A-PT1/8	
12	31622000200	COVER	2			
13	90203201600	NUT	2		M16	
14	90101216045	BOLT	2		M16X45	
15	90142714025	BOLT, STUD	8			
16	90302041401	WASHER, SPRING	8		14	
17	90201481400	NUT	8		M14	
18	82458102000	NIPPLE, GREASE	2		B-PT1/8	
19	80601110150	RING, RITAINING	4		15	
20	80530000225	BEARING, BALL (KOYO)	6			
	31620582020	BEARING, BALL (KOYO)	6			KB7532
21	37000134180	PIN	2			
22	82400000459	CAP	4			
23	37003100030	GRIP	2			
24	37000309980	SPACER	2		L=60	
25	37000161010	PIN	2			
26	31621962100	SUPPORT	4			
27	31621962200	PLATE	12		T=0.5	
28	31621340200	PIN	2			
29	37001200720	SPRING	2			
42	31620580100	PIN ASSY	2			
53	31623679510	SUPPORT ASSY	2			



TM-ZR300 31014010170A FRAME/SL,MANUAL,HOOK-IN  
PC1020038-01 OUTRIGGER,REAR (ROTARY)

指示番号 KEY NO.	アウトリカ <sup>ク</sup> ,リヤ (カイトンシキ) OUTRIGGER,REAR (ROTARY)
3	オペ <sup>レ</sup> .ASSY,ソウサハ <sup>ル</sup> フ <sup>ル</sup> OPE.ASSY,CONT.VALVE
4	フ <sup>レ</sup> ートASSY,ネーム PLATE ASSY,NAME
11	アウトリカ <sup>ク</sup> ,リヤ OUTRIGGER,REAR
12	シリンダ <sup>ク</sup> ,ジ <sup>ク</sup> ャツキ CYLINDER,JACK
13	ハ <sup>イ</sup> ピ <sup>ン</sup> ク <sup>ク</sup> ,リヤ ジ <sup>ク</sup> ャツキ (2) PIPING,REAR JACK (2)
121	ハ <sup>イ</sup> ピ <sup>ン</sup> ク <sup>ク</sup> ,リヤ ジ <sup>ク</sup> ャツキ (1) PIPING,REAR JACK (1)
122	ハ <sup>ル</sup> フ <sup>ク</sup> ,マニアル コントロール VALVE,MANUAL CONTROL
123	ハ <sup>イ</sup> ピ <sup>ン</sup> ク <sup>ク</sup> ,ロワー PIPING,LOWER

**TM-ZR300 31014010170A FRAME/SL,MANUAL,HOOK-IN**

Pos No.	Parts No	Parts Name	Qty	Unit	Technical Data	Se
1	(*****)	FRAME ASSY (WITH LOCK ASSY)	1			
	(*****)	FRAME ASSY (WITHOUT LOCK ASSY)	1			
3	(*****)	OPE. ASSY, CONT. VALVE	1			
4	(*****)	PLATE ASSY, NAME	1			
21	(*****)	PIPING, REAR JACK (1)	1			
22	36637730000	VALVE, MANUAL CONTROL (R/O, 2-BLOCK)	1			
23	(*****)	PIPING, LOWER (MAIN--R/J VALVE)	1			

www.AutoEPC.com

TM-ZR300 31014010170A FRAME/SL, MANUAL, HOOK-IN  
 PC1020042-00 OUTRIGGER, REAR (ROTARY+3TX1, MANUAL)

1	マウント, ウインチ MOUNT, WINCH
2	オペ . ASSY, クラッチ OPE. ASSY, CLUTCH
3	パイピング, ウインチ PIPING, WINCH
4	オペ . ASSY, ソウサハ ルフ OPE. ASSY, CONT. VALVE
5	プレートASSY, ネーム (アクセル, クラッチ, SLウインチ) PLATE ASSY, NAME (ACC., CLUTCH, SL WINCH)
7	フック HOOK
8	パイピング, ロー PIPING, LOWER
9	ハ ルフ, マニアル コントロール VALVE, MANUAL CONTROL
10	プレートASSY, ネーム (SLウインチレハ -, マニュアル) PLATE ASSY, NAME (SL WINCH LEVER, MANUAL)
11	パイピング, リヤ ジ ャツキ (1) PIPING, REAR JACK (1)
12	プレートASSY, ネーム (クレーンホントイ) PLATE ASSY, NAME (CRANE)
21	アウトリガ OUTRIGGER
22	シリンダ, ジ ャツキ CYLINDER, JACK
23	パイピング, リヤ ジ ャツキ (2) PIPING, REAR JACK (2)

**TM-ZR300 31014010170A FRAME/SL,MANUAL,HOOK-IN**

Pos No.	Parts No	Parts Name	Qty	Unit	Technical Dat
1	(*****)	MOUNT,WINCH (3T SELF)	1		
2	(*****)	OPE.ASSY,CLUTCH (SELF WINCH,MANUAL)	1		
3	(*****)	PIPING,WINCH (SELF,MANUAL)	1		
4	(*****)	OPE.ASSY,CONT.VALVE (R/J+SELF)	1		
5	(*****)	PLATE ASSY.NAME (ACC.,CLUTCH,SL WINCH)	1		
7	(*****)	HOOK (SELF, 3TONX1-PART LINE)	1		
8	(*****)	PIPING,LOWER (MAIN--R/J VALVE)	1		
9	3663611000	VALVE,MANUAL CONTROL (R/O,3-BLOCK)	1		
10	(*****)	PLATE ASSY,NAME (SL WINCH LEVER,MANUAL)	1		
11	(*****)	PIPING,REAR JACK (1)	1		
12	(*****)	PLATE ASSY,NAME	1		
21	(*****)	OUTRIGGER,REAR (FRAME)	1		
22	(*****)	CYLINDER,JACK (REAR OUTRIGGER)	2		
23	(*****)	PIPING,REAR JACK (2,ROTARY)	1		

www.AutoEPC.com

TM-ZR300 31014010170A FRAME/SL, MANUAL, HOOK-IN  
 PC1020043-00 OUTRIGGER, REAR (ROTARY+4TX1, MANUAL)

1	マウント, ウインチ MOUNT, WINCH
2	オペ . ASSY, クラッチ OPE. ASSY, CLUTCH
3	パイピング, ウインチ PIPING, WINCH
4	オペ . ASSY, ソウサバルブ OPE. ASSY, CONT. VALVE
5	プレートASSY, ネーム (アクセル, クラッチ, SLウインチ) PLATE ASSY, NAME (ACC., CLUTCH, SL WINCH)
7	フック HOOK
8	パイピング, ロー PIPING, LOWER
9	バルブ, マニュアル コントロール VALVE, MANUAL CONTROL
10	プレートASSY, ネーム (SLウインチレバー, マニュアル) PLATE ASSY, NAME (SL WINCH LEVER, MANUAL)
11	パイピング, リヤ ジャッキ (1) PIPING, REAR JACK (1)
12	プレートASSY, ネーム (クレーンホントイ) PLATE ASSY, NAME (CRANE)
21	アウトリガ OUTRIGGER
22	シリンダ, ジャッキ CYLINDER, JACK
23	パイピング, リヤ ジャッキ (2) PIPING, REAR JACK (2)

**TM-ZR300 31014010170A FRAME/SL, MANUAL, HOOK-IN**

Pos No.	Parts No	Parts Name	Qty	Unit	Technical Dat
1	(*****)	MOUNT,WINCH (4T SELF)	1		
2	(*****)	OPE.ASSY,CLUTCH (SELF WINCH,MANUAL)	1		
3	(*****)	PIPING,WINCH (SELF,MANUAL)	1		
4	(*****)	OPE.ASSY,CONT.VALVE (R/J+SELF)	1		
5	(*****)	PLATE ASSY.NAME (ACC.,CLUTCH,SL WINCH)	1		
7	(*****)	HOOK (SELF, 4TONX1-PART LINE)	1		
8	(*****)	PIPING,LOWER (MAIN--R/J VALVE)	1		
9	3663611000	VALVE,MANUAL CONTROL (R/O,3-BLOCK)	1		
10	(*****)	PLATE ASSY,NAME (SL WINCH LEVER,MANUAL)	1		
11	(*****)	PIPING,REAR JACK (1)	1		
12	(*****)	PLATE ASSY,NAME	1		
21	(*****)	OUTRIGGER,REAR (FRAME)	1		
22	(*****)	CYLINDER,JACK (REAR OUTRIGGER)	2		
23	(*****)	PIPING,REAR JACK (2,ROTARY)	1		

www.AutoEPC.com

TM-ZR300 31014010170A FRAME/SL, MANUAL, HOOK-IN  
 PC1020044-00 OUTRIGGER, REAR (ROTARY+SP+3TX1, MANUAL)

1	マウント, ウインチ MOUNT, WINCH
2	オペ . ASSY, クラッチ OPE. ASSY, CLUTCH
3	パイピング, ウインチ PIPING, WINCH
4	オペ . ASSY, ソウサバルブ OPE. ASSY, CONT. VALVE
5	プレートASSY, ネーム (アクセル, クラッチ, SLウインチ) PLATE ASSY, NAME (ACC., CLUTCH, SL WINCH)
7	フック HOOK
8	パイピング, ロー (メイン--R/Jバルブ) PIPING, LOWER (MAIN--R/J VALVE)
9	バルブ, マニュアル コントロール VALVE, MANUAL CONTROL
10	プレートASSY, ネーム (SLウインチレバー, マニュアル) PLATE ASSY, NAME (SL WINCH LEVER, MANUAL)
11	パイピング, リヤ ジャッキ (1) PIPING, REAR JACK (1)
12	プレートASSY, ネーム (クレーンホントイ) PLATE ASSY, NAME (CRANE)
14	パイピング, ロー (メイン-- オプションバルブ) PIPING, LOWER (MAIN-- OPTION VALVE)
15	プレートASSY, ネーム (ユアットリタシ) PLATE ASSY, NAME (POWER SUPPLY)
21	アウトリガ OUTRIGGER
22	シリンダ, ジャッキ CYLINDER, JACK
23	パイピング, リヤ ジャッキ (2) PIPING, REAR JACK (2)

**TM-ZR300 31014010170A FRAME/SL,MANUAL,HOOK-IN**

Pos No.	Parts No	Parts Name	Qty	Unit	Technical Dat
1	(*****)	MOUNT,WINCH (3T SELF)	1		
2	(*****)	OPE.ASSY,CLUTCH (SELF WINCH,MANUAL)	1		
3	(*****)	PIPING,WINCH (SELF,MANUAL)	1		
4	(*****)	OPE.ASSY,CONT.VALVE (R/J+SELF)	1		
5	(*****)	PLATE ASSY.NAME (ACC.,CLUTCH,SL WINCH)	1		
7	(*****)	HOOK (SELF, 3TONX1-PART LINE)	1		
8	(*****)	PIPING,LOWER (MAIN--R/J VALVE)	1		
9	3663612000	VALVE,MANUAL CONTROL (R/O,4-BLOCK)	1		
10	(*****)	PLATE ASSY,NAME (SL WINCH LEVER,MANUAL)	1		
11	(*****)	PIPING,REAR JACK (1)	1		
12	(*****)	PLATE ASSY,NAME	1		
14	(*****)	PIPING,LOWER (MAIN--OPT.VALVE)	1		
15	(*****)	PLATE ASSY,NAME (POWER SUPPLY)	1		
21	(*****)	OUTRIGGER,REAR (FRAME)	1		
22	(*****)	CYLINDER,JACK (REAR OUTRIGGER)	2		
23	(*****)	PIPING,REAR JACK (2,ROTARY)	1		

www.AutoEPC.com



TM-ZR300 31014010170A FRAME/SL, MANUAL, HOOK-IN  
 PC1020045-00 OUTRIGGER, REAR (ROTARY+SP+4TX1, MANUAL)

1	マウント, ウインチ MOUNT, WINCH
2	オペ . ASSY, クラッチ OPE. ASSY, CLUTCH
3	パイピング, ウインチ PIPING, WINCH
4	オペ . ASSY, ソウサバルブ OPE. ASSY, CONT. VALVE
5	プレートASSY, ネーム (アクセル, クラッチ, SLウインチ) PLATE ASSY, NAME (ACC., CLUTCH, SL WINCH)
7	フック HOOK
8	パイピング, ロー (メイン--R/Jバルブ) PIPING, LOWER (MAIN--R/J VALVE)
9	バルブ, マニュアル コントロール VALVE, MANUAL CONTROL
10	プレートASSY, ネーム (SLウインチレバー, マニュアル) PLATE ASSY, NAME (SL WINCH LEVER, MANUAL)
11	パイピング, リヤ ジャッキ (1) PIPING, REAR JACK (1)
12	プレートASSY, ネーム (リヤジャッキ, クレーンホントイ) PLATE ASSY, NAME
14	パイピング, ロー (メイン-- オプションバルブ) PIPING, LOWER (MAIN-- OPTION VALVE)
15	プレートASSY, ネーム (ユアツトリタシ) PLATE ASSY, NAME (POWER SUPPLY)
21	アウトリガ OUTRIGGER
22	シリンダ, ジャッキ CYLINDER, JACK
23	パイピング, リヤ ジャッキ (2) PIPING, REAR JACK (2)

**TM-ZR300 31014010170A FRAME/SL,MANUAL,HOOK-IN**

Pos No.	Parts No	Parts Name	Qty	Unit	Technical Dat
1	(*****)	MOUNT,WINCH (4T SELF)	1		
2	(*****)	OPE.ASSY,CLUTCH (SELF WINCH,MANUAL)	1		
3	(*****)	PIPING,WINCH (SELF,MANUAL)	1		
4	(*****)	OPE.ASSY,CONT.VALVE (R/J+SELF)	1		
5	(*****)	PLATE ASSY.NAME (ACC.,CLUTCH,SL WINCH)	1		
7	(*****)	HOOK (SELF, 4TONX1-PART LINE)	1		
8	(*****)	PIPING,LOWER (MAIN--R/J VALVE)	1		
9	3663612000	VALVE,MANUAL CONTROL (R/O,4-BLOCK)	1		
10	(*****)	PLATE ASSY,NAME (SL WINCH LEVER,MANUAL)	1		
11	(*****)	PIPING,REAR JACK (1)	1		
12	(*****)	PLATE ASSY,NAME	1		
14	(*****)	PIPING,LOWER (MAIN--OPT.VALVE)	1		
15	(*****)	PLATE ASSY,NAME (POWER SUPPLY)	1		
21	(*****)	OUTRIGGER,REAR (FRAME)	1		
22	(*****)	CYLINDER,JACK (REAR OUTRIGGER)	2		
23	(*****)	PIPING,REAR JACK (2,ROTARY)	1		

www.AutoEPC.com

TM-ZR300 31014010170A FRAME/SL, MANUAL, HOOK-IN  
PC1020046-01 OUTRIGGER, REAR (ROTARY, POWER PACKAGE)

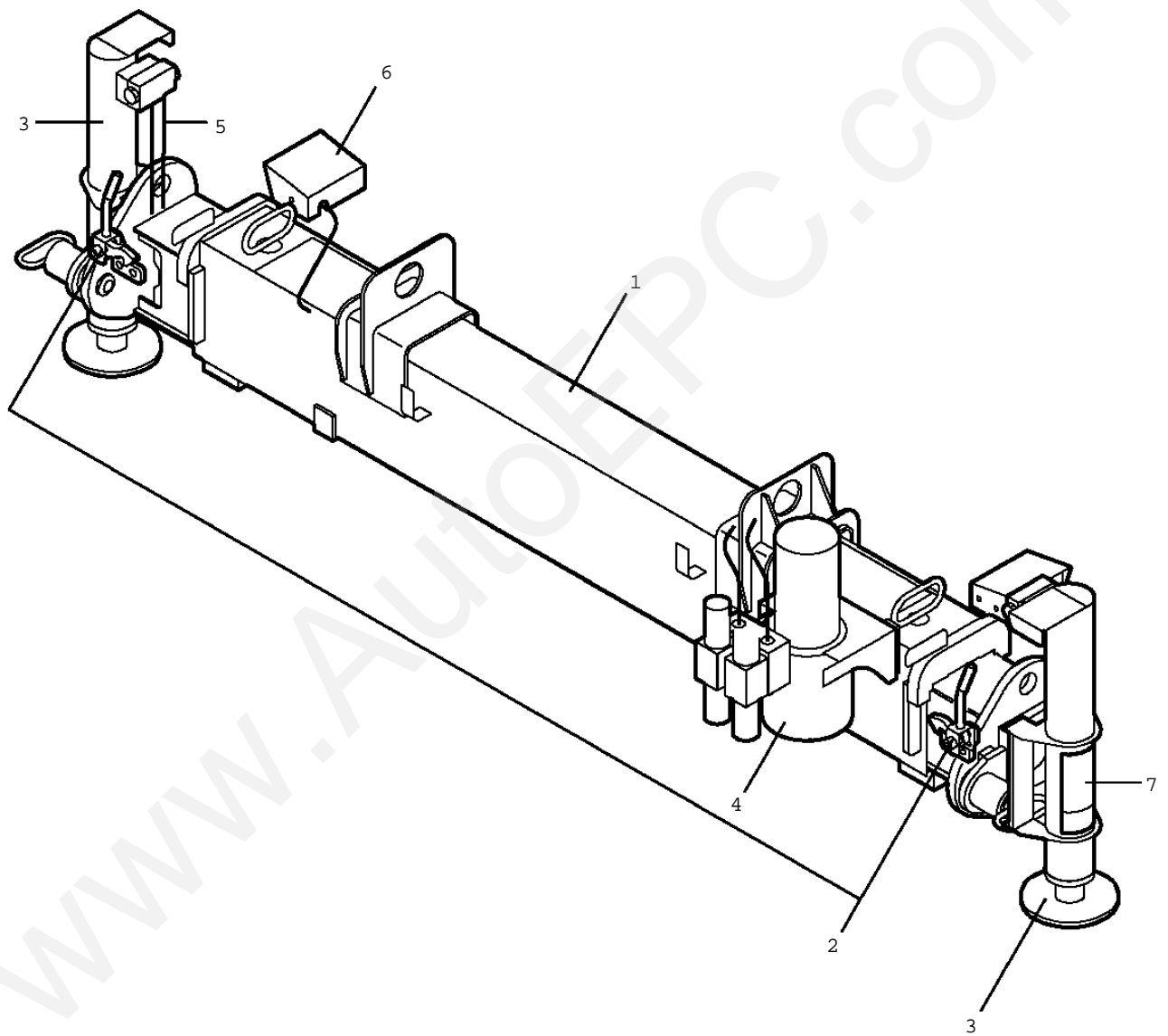
指示番号 KEY NO.	アウトリカ <sup>°</sup> , リヤ (カイトンシキ, ハ <sup>°</sup> ワーハ <sup>°</sup> ツケ-ジ <sup>°</sup> ) OUTRIGGER, REAR (ROTARY, POWER PACKAGE)
2	ハ <sup>°</sup> イビ <sup>°</sup> ンク <sup>°</sup> , リヤ ジ <sup>°</sup> ヤツキ (1) PIPING, REAR JACK (1)
3	ハイセンASSY ELEC. ASSY
4	フ <sup>°</sup> レートASSY, ネ-ム PLATE ASSY, NAME
11	アウトリカ <sup>°</sup> , リヤ OUTRIGGER, REAR
12	シリンダ <sup>°</sup> , ジ <sup>°</sup> ヤツキ CYLINDER, JACK
13	ハ <sup>°</sup> イビ <sup>°</sup> ンク <sup>°</sup> , リヤ ジ <sup>°</sup> ヤツキ (2) PIPING, REAR JACK (2)

**TM-ZR300 31014010170A FRAME/SL,MANUAL,HOOK-IN**

Pos No.	Parts No	Parts Name	Qty	Unit	Technical Da
2	(***** )	PIPING,REAR JACK (ROTARY 1,WITH POWER/S)	1		
3	(***** )	ELEC.ASSY (R/O,ROTARY,POWER SUPPLY)	1		
4	(***** )	PLATE ASSY,NAME	1		
11	(***** )	OUTRIGGER,REAR (FRAME)	1		
12	(***** )	CYLINDER,JACK (REAR OUTRIGGER)	2		
13	(***** )	PIPING,REAR JACK (2,ROTARY)	1		

www.AutoEPC.com

TM-ZR300 31014010170A FRAME/SL, MANUAL, HOOK-IN  
PC1020094-00 OUTRIGGER, REAR (ROTARY/POWER PACKAGE: WITH LOCK

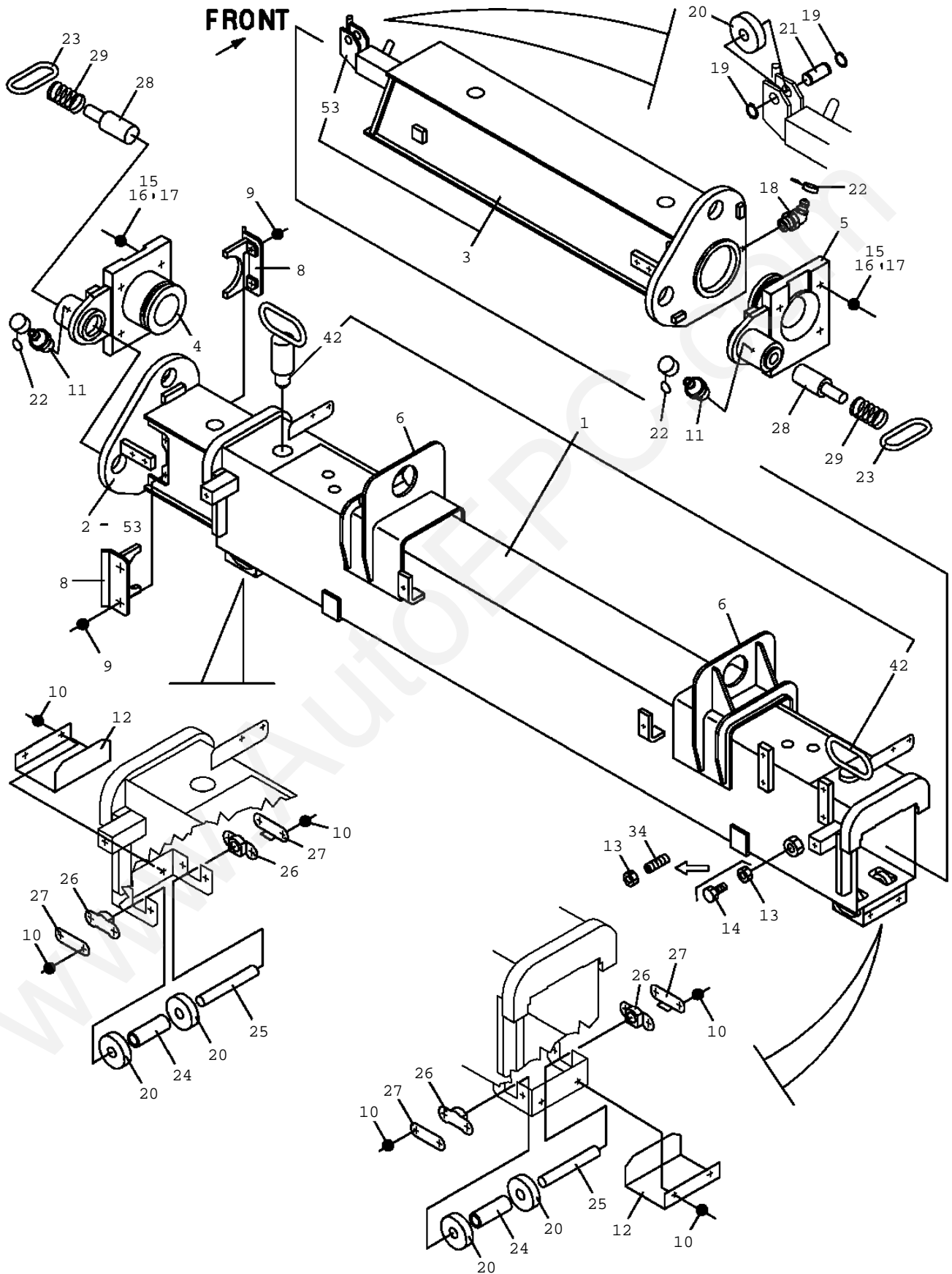


**TM-ZR300 31014010170A FRAME/SL,MANUAL,HOOK-IN**

Pos No.	Parts No	Parts Name	Qty	Unit	Technical Data	Serial
1	(***** )	OUTRIGGER,REAR (FRAME)	1			
2	(***** )	LOCK ASSY	1			
3	(***** )	CYLINDER,JACK (REAR OUTRIGGER)	2			
4	(***** )	PIPING,REAR JACK (1)	1			
5	(***** )	PIPING,REAR JACK (2,ROTARY)	1			
6	(***** )	ELEC.ASSY	1			
7	(***** )	PLATE ASSY,NAME	1			

www.AutoEPC.com

TM-ZR300 31014010170A FRAME/SL, MANUAL, HOOK-IN  
PC1020095-01 OUTRIGGER, REAR (FRAME)

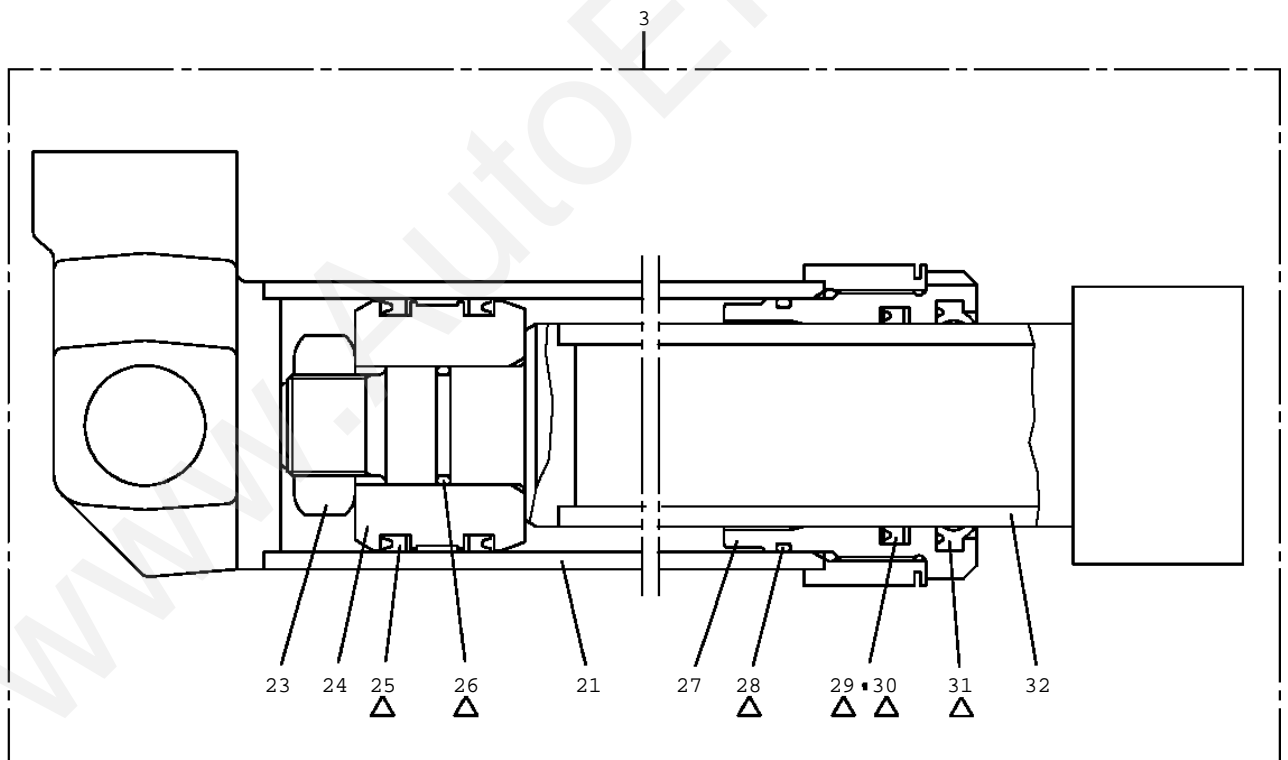
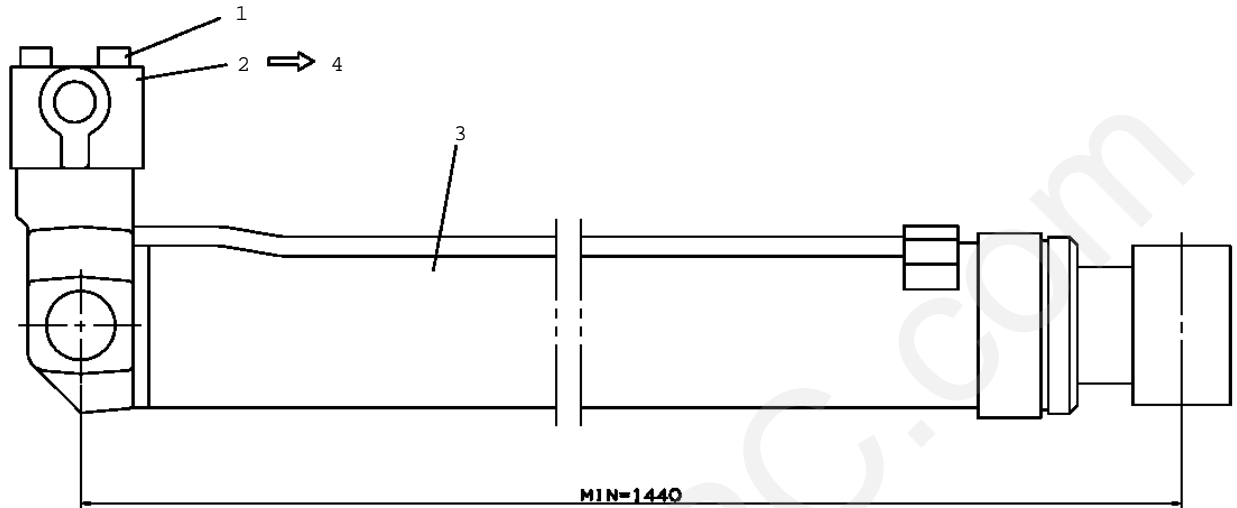


**TM-ZR300 31014010170A FRAME/SL, MANUAL, HOOK-IN**

Pos No.	Parts No	Parts Name	Qty	Unit	Technical Data	Serial No (Start)
1	31624981000	CASE, OUTER	1			
2	31624982000	CASE, INNER	1			
3	31624983000	CASE, INNER	1			
4	31622004000	SUPPORT (LEFT)	1			
5	31622005000	SUPPORT (RIGHT)	1			
6	31621510100	SUPPORT	2			
8	31622000100	SUPPORT	4			
9	90186208014	BOLT, FLANGE	8		M8X14	
10	90186208010	BOLT, FLANGE	12		M8X10	
11	82456101000	NIPPLE, GREASE	2		A-PT1/8	
12	31622000200	COVER	2			
13	90203201600	NUT	2		M16	
14	90101216045	BOLT	2		M16X45	
15	90142714025	BOLT, STUD	8			
16	90302041401	WASHER, SPRING	8		14	
17	90201481400	NUT	8		M14	
18	82458102000	NIPPLE, GREASE	2		B-PT1/8	
19	80601110150	RING, RITAINING	4		15	
20	80530000225	BEARING, BALL (KOYO)	6			
	31620582020	BEARING, BALL (KOYO)	6			KB7532
21	37000134180	PIN	2			
22	82400000459	CAP	4			
23	37003100030	GRIP	2			
24	37000309980	SPACER	2		L=60	
25	37000161010	PIN	2			
26	31621962100	SUPPORT	4			
27	31621962200	PLATE	12		T=0.5	
28	31621340200	PIN	2			
29	37001200720	SPRING	2			
34	90720716450	SCREW, SET	2		M16X45	KA9941
42	31620580100	PIN ASSY	2			
53	31623679510	SUPPORT ASSY	2			



TM-ZR300 31014010170A FRAME/SL, MANUAL, HOOK-IN  
PC1030214-03 CYLINDER, JACK (MIN=1440)



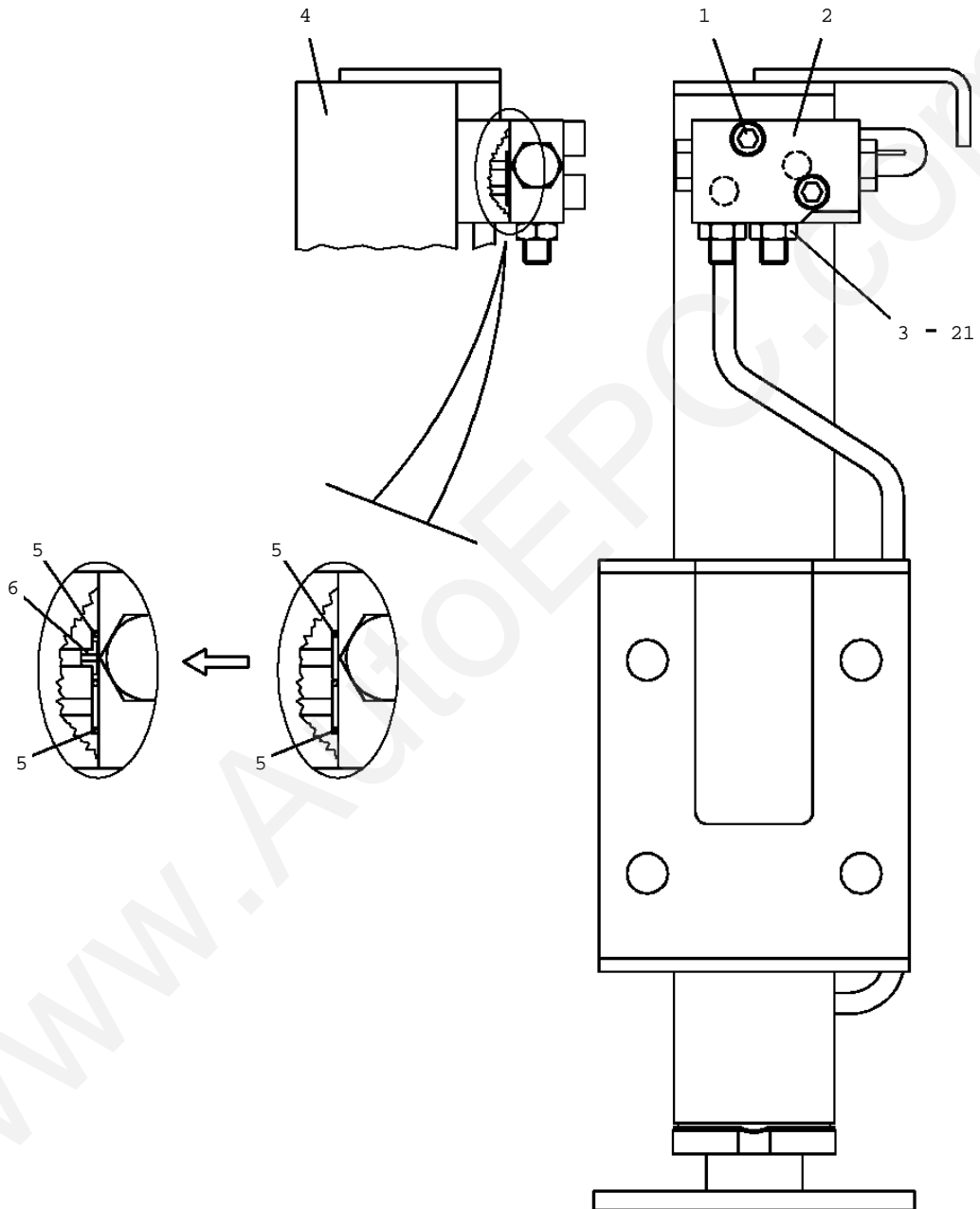
Δ:PACKING SET KEY NO. 40 (KEY NO.25,26,28,29,30,31)

**TM-ZR300 31014010170A FRAME/SL,MANUAL,HOOK-IN**

Pos No.	Parts No	Parts Name	Qty	Unit	Technical Data	Serial N
1	90172110065	BOLT,HEXAGON SOCKET	4		M10X65	
3	36034070000	CYLINDER,JACK	1			
4	36624690000	VALVE,PILOT CHECK	1			
21	36034071000	CYLINDER	1			
23	90211203000	NUT	1		M30X3/2	
24	36032110300	PISTON	1			
25	91350207500	BEARING,PLAIN (WITH PACKINGX2)	1			
26	91002903000	O-RING	1		1B G30	
27	36033523000	COVER,ROD	1			
28	91002907000	O-RING	1		1B G70	
29	91694006000	PACKING	1			
30	91410206002	RING,BACKUP	1			
31	91660006001	SEAL,DUST	1			
32	36034072000	ROD	1			
40	36034079900	PACKING SET	1		60X75	

www.AutoEPC.com

TM-ZR300 31014010170A FRAME/SL, MANUAL, HOOK-IN  
PC1030301-02 CYLINDER, JACK (REAR OUTRIGGER)

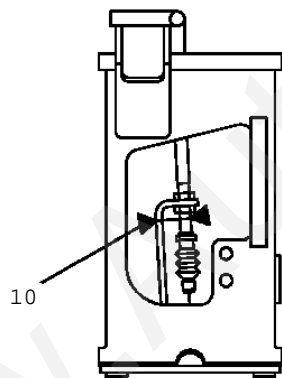
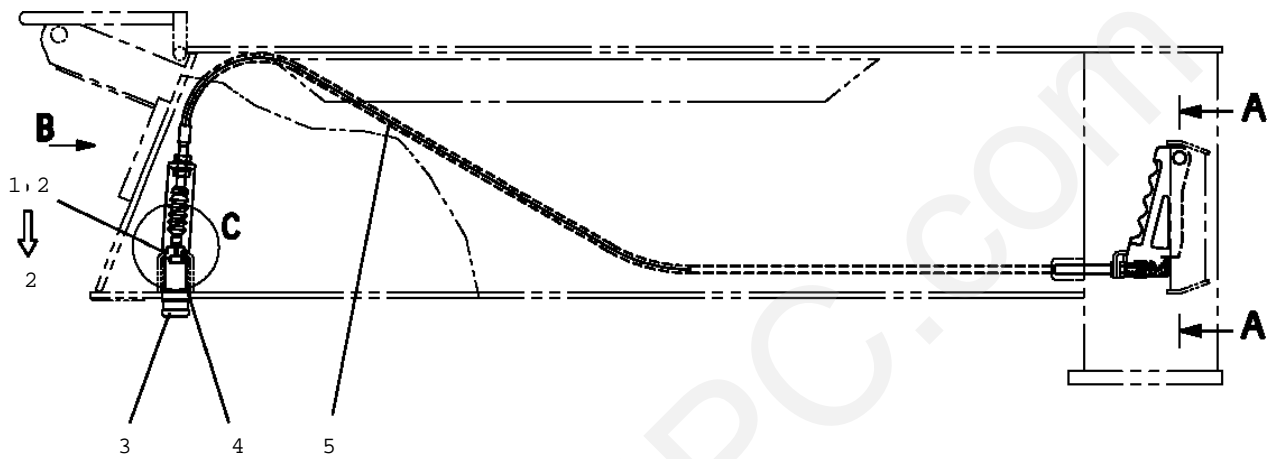


**TM-ZR300 31014010170A FRAME/SL, MANUAL, HOOK-IN**

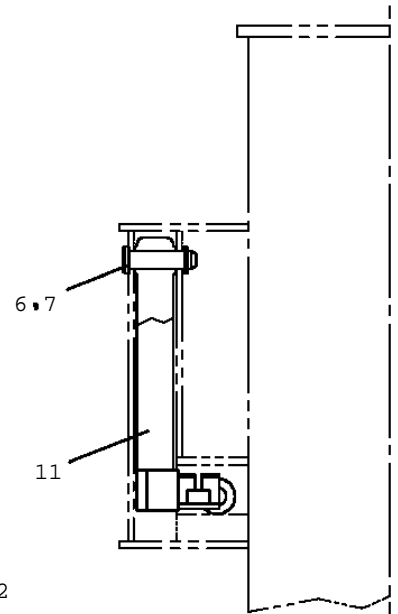
Pos No.	Parts No	Parts Name	Qty	Unit	Technical Data	Serial No (Start)
1	90172110035	BOLT, HEXAGON SOCKET	2		M10X35	
2	36623930000	VALVE, PILOT CHECK	1			
3	80491002020	JOINT (WITH O-RING)	2			
4	36034730000	CYLINDER ASSY, JACK	1			
	36034730001	CYLINDER ASSY, JACK	1			KA6843
5	91002801000	O-RING	2		1B P10	
6	42610020510	CHOKE	1			KA6843
21	91002801100	O-RING	2		1B P11	

www.AutoEPC.com

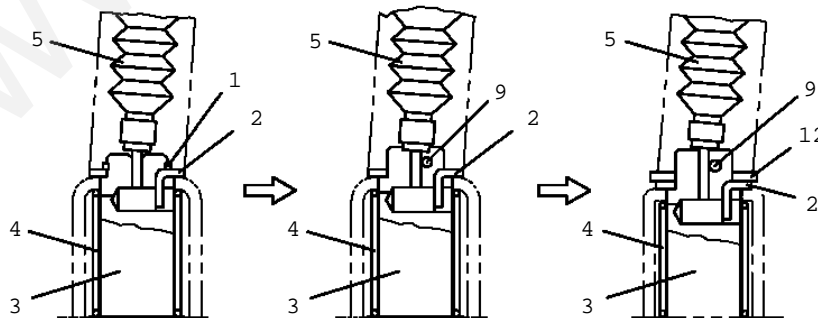
TM-ZR300 31014010170A FRAME/SL, MANUAL, HOOK-IN  
PC1100146-05 OPE.ASSY, OUTRIGGER



**B**



**A-A**



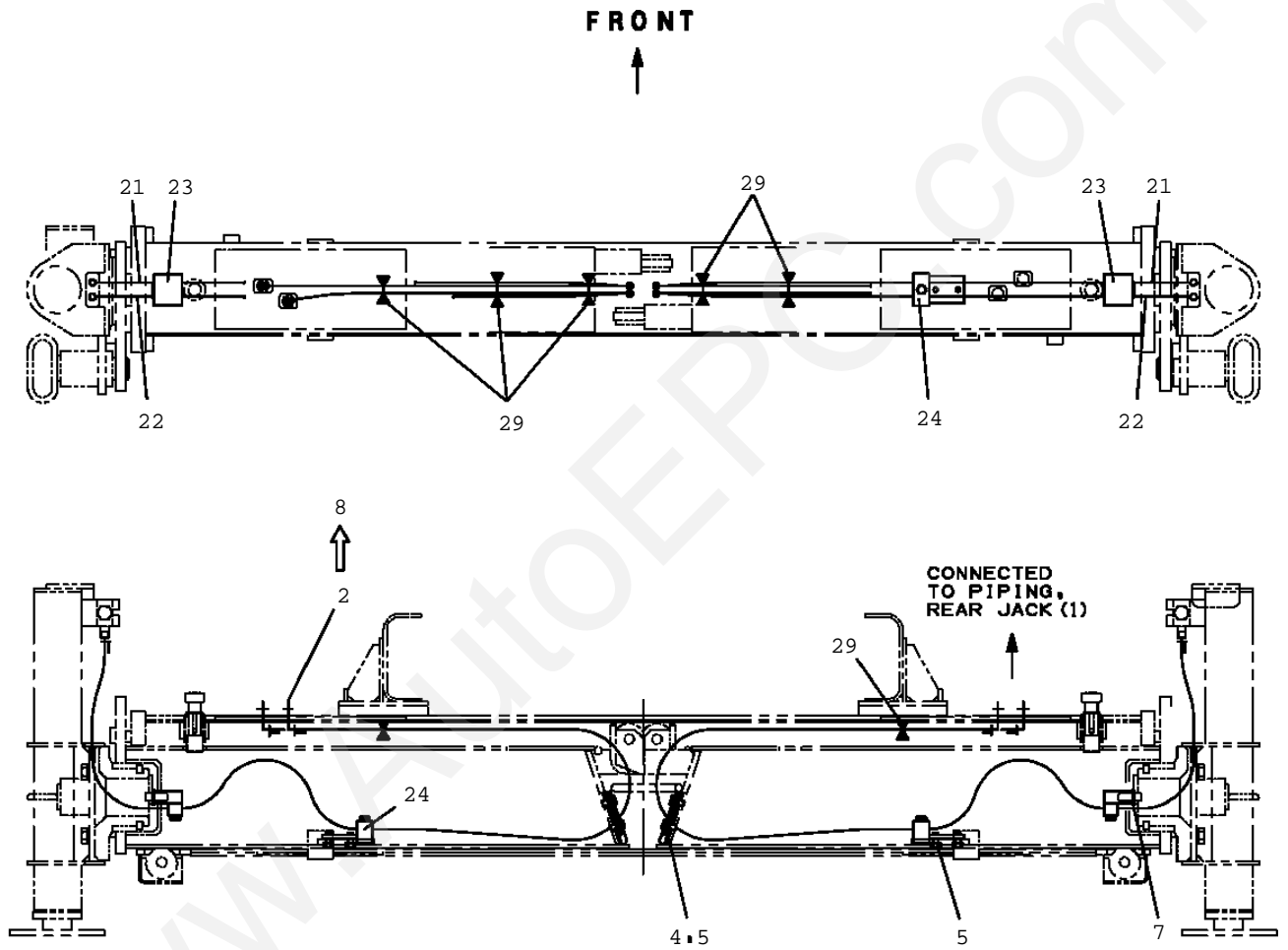
**C**

**TM-ZR300 31014010170A FRAME/SL,MANUAL,HOOK-IN**

Pos No.	Parts No	Parts Name	Qty	Unit	Technical Data	Serial No
2	31330920700	PLATE	1			
3	31330920800	PIN	1			
	31331610100	PIN	1			KA5941
4	37001201380	SPRING	1			
5	37001707580	CABLE,CONTROL (MICHANG CABLE)	1			
6	37000161150	PIN	1			
7	80613310060	RING,RITAINING	1		6	
9	80136332020	PIN,SPLIT	1		3.2X20	
10	91810130250	FASTENER	1			
11	31330921100	GRIP	1			
12	90303071401	WASHER,PLAIN	1		14	KA5941

www.AutoEPC.com

TM-ZR300 31014010170A FRAME/SL, MANUAL, HOOK-IN  
PC1230021-03 PIPING, REAR JACK (2, ROTARY)



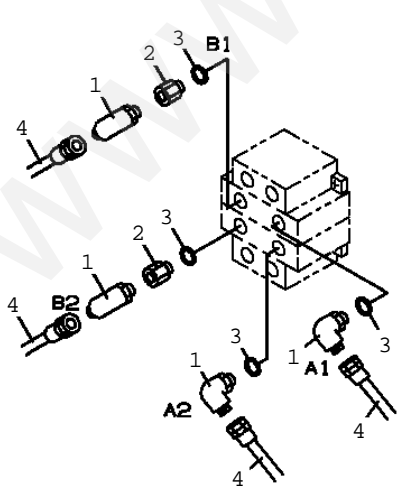
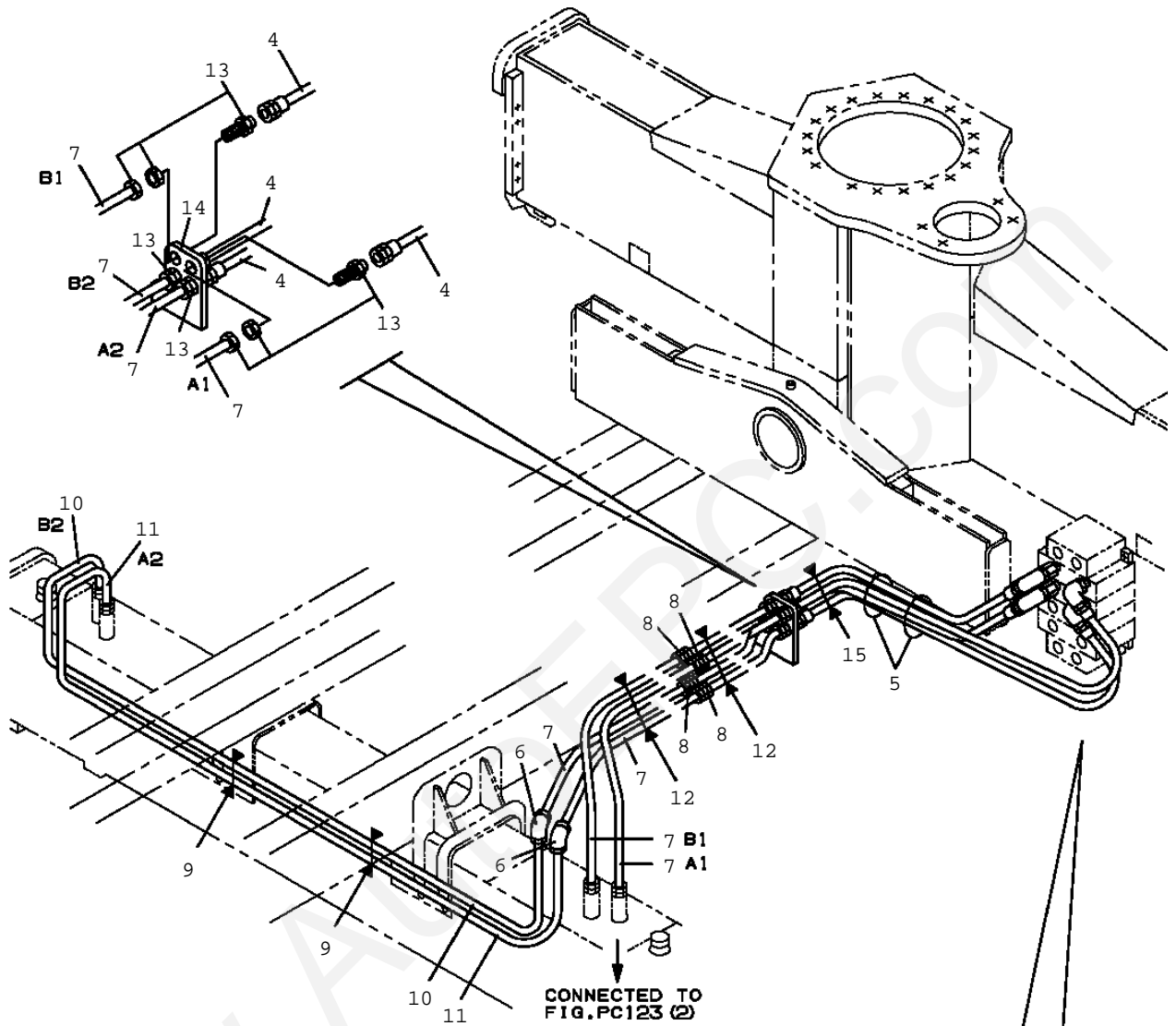
**TM-ZR300 31014010170A FRAME/SL, MANUAL, HOOK-IN**

Pos No.	Parts No	Parts Name	Qty	Unit	Technical Data	Serial No (Start)	Serial :
4	31642730100	SUPPORT	2				
5	90186208014	BOLT, FLANGE	12		M8X14		
7	90303071201	WASHER, PLAIN	2		12		
8	37000924770	JOINT	4				
21	37002417360	HOSE	2		L=1800		
22	37002450860	HOSE	2		L=1760		
23	31642730300	CLAMP ASSY	2				
24	31642730200	CLAMP ASSY	2				
29	91810130240	FASTENER	6				

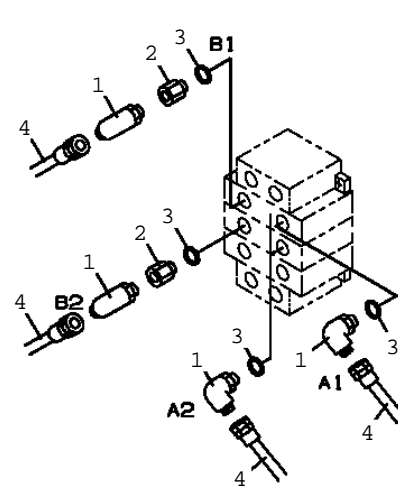
www.AutoEPC.com



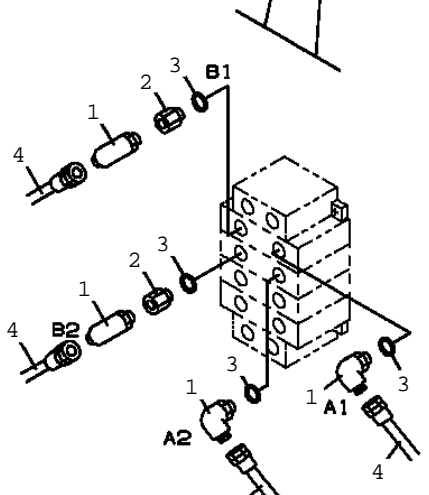
TM-ZR300 31014010170A FRAME/SL, MANUAL, HOOK-IN  
 PC1230022-00 PIPING, REAR JACK (1)



2-BLOCK VALVE



3-BLOCK VALVE



4-BLOCK VALVE

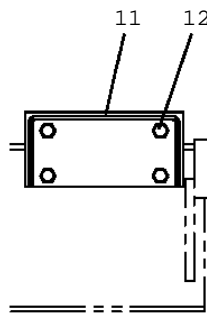
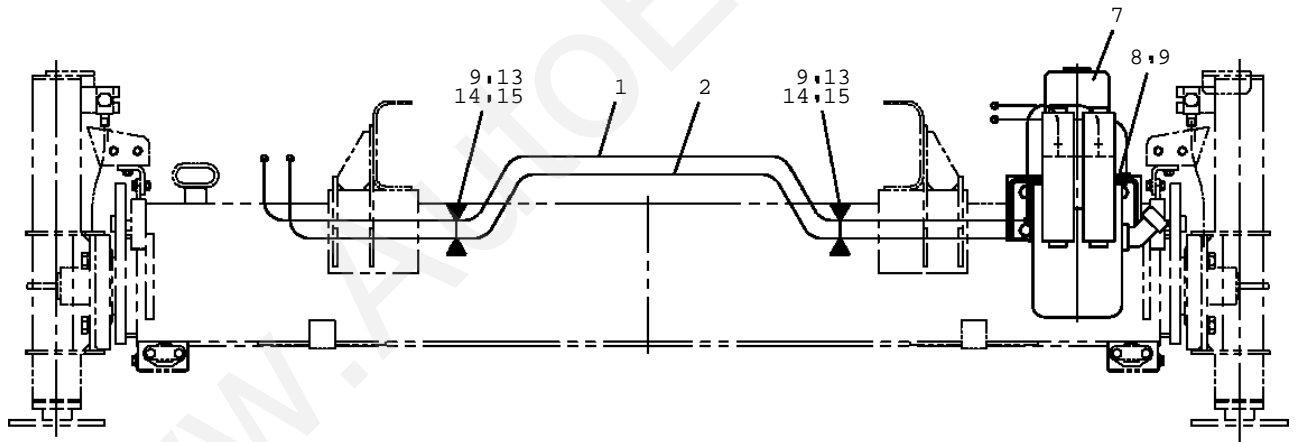
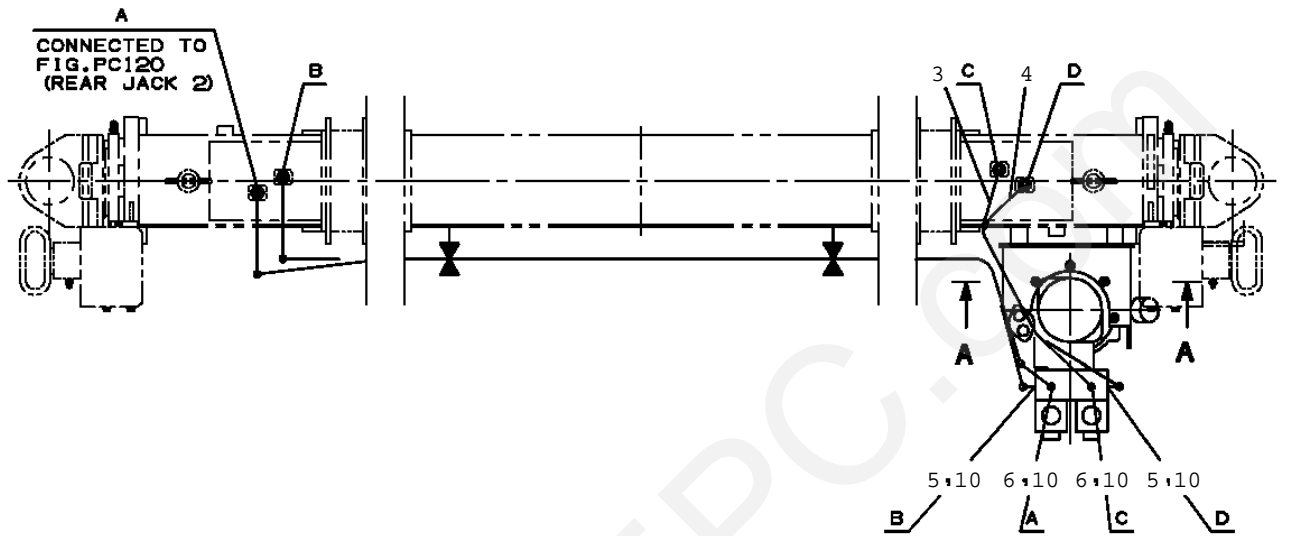
**TM-ZR300 31014010170A FRAME/SL, MANUAL, HOOK-IN**

Pos No.	Parts No	Parts Name	Qty	Unit	Technical Data	Serial No (Start)	Serial
1	80481103020	JOINT	4		PF3/8-PF1/4		
2	37000921890	JOINT	2				
3	91002801400	O-RING	6		1B P14		
4	37002417350	HOSE	4		L=1060		
5	91810130240	FASTENER	2				
6	80303190080	FITTING, ELBOW	2				
7	81408000120	PIPE, STEEL	3	M	10X1.5T		
8	80301140080	FITTING	4				
9	37000714330	CLAMP ASSY	2				
10	31645331010	PIPE	1				
11	31645331020	PIPE	1				
12	37000714320	CLAMP ASSY	2				
13	80320410020	FITTING	4				
14	37000560350	SUPPORT	1				
15	31642991100	CLAMP ASSY	1				

www.AutoEPC.com

TM-ZR300 31014010170A FRAME/SL, MANUAL, HOOK-IN  
PC1230028-00 PIPING, REAR JACK (ROTARY 1, WITH POWER/S)

FRONT



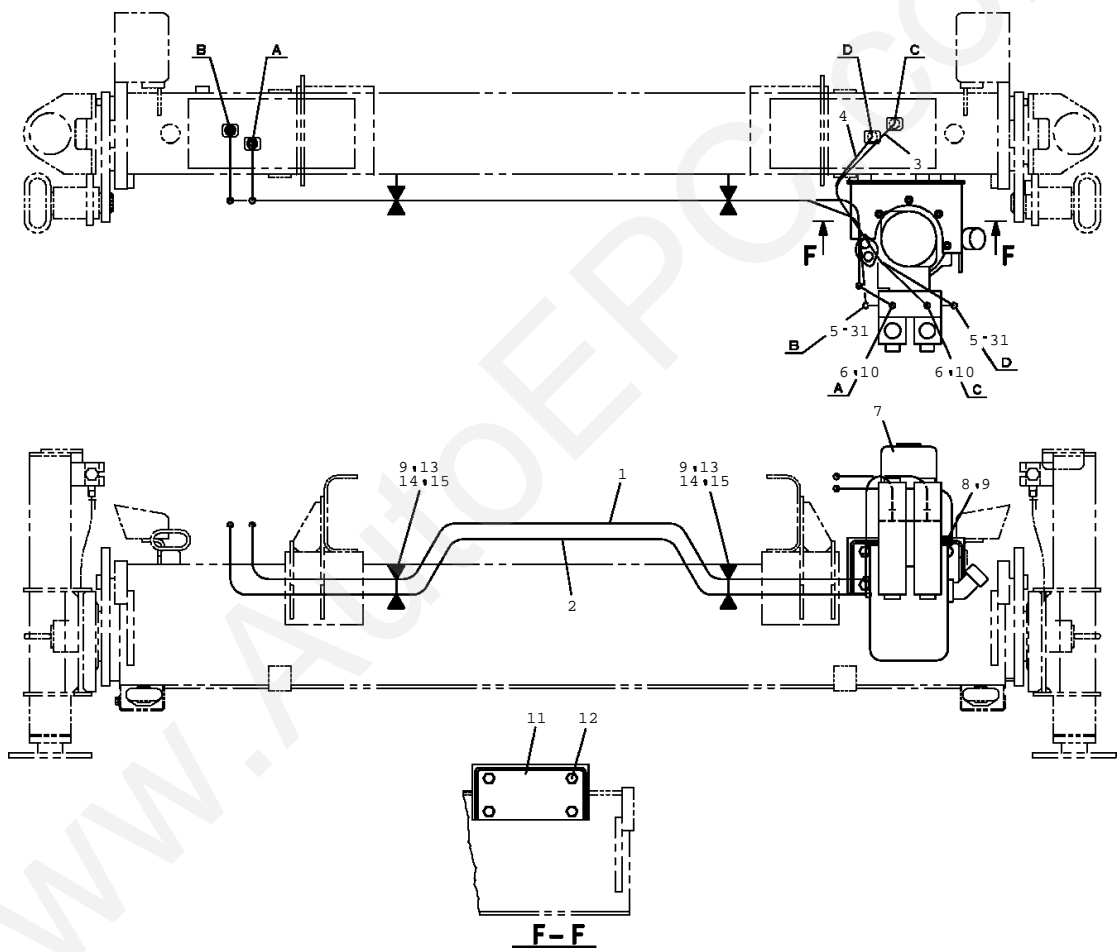
A-A

**TM-ZR300 31014010170A FRAME/SL, MANUAL, HOOK-IN**

Pos No.	Parts No	Parts Name	Qty	Unit	Technical Data	Serial No (Start)
1	31645360010	PIPE	1			
2	31645360020	PIPE	1			
3	31645360030	PIPE	1			
4	31645360040	PIPE	1			
5	80303210060	FITTING, ELBOW	2			
6	80302120060	FITTING	2		POA10PF1/4	
7	31611613101	POWER SUPPLY	1			
8	90172108018	BOLT, HEXAGON SOCKET	4		M8X18	
9	90302040801	WASHER, SPRING	6		8	
10	91002801100	O-RING	4		1B P11	
11	31645360100	SUPPORT	1			
12	90186210014	BOLT, FLANGE	4		M10X14	
13	37005700130	CLAMP	2		10X2	
14	90101208035	BOLT	2		M8X35	
15	90303070801	WASHER, PLAIN	2		8	

www.AutoEPC.com

TM-ZR300 31014010170A FRAME/SL, MANUAL, HOOK-IN  
PC1230061-00 PIPING, REAR JACK (1)



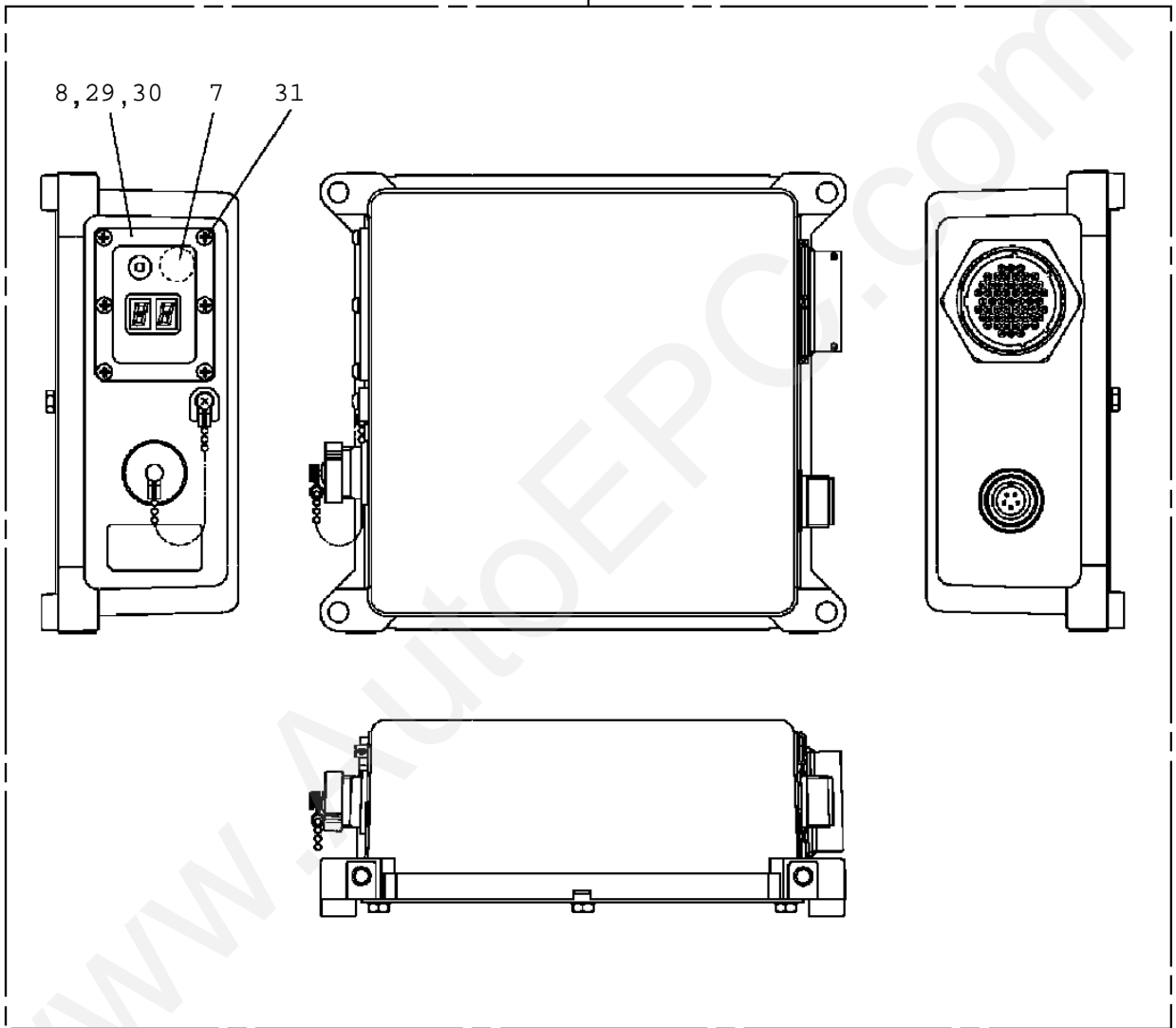
**TM-ZR300 31014010170A FRAME/SL, MANUAL, HOOK-IN**

Pos No.	Parts No	Parts Name	Qty	Unit	Technical Data	Serial No (Start)
1	31648860010	PIPE	1			
2	31648860020	PIPE	1			
3	31648860030	PIPE	1			
4	31648860040	PIPE	1			
5	80303130101	FITTING, ELBOW	2		KLO10-020E	
6	80302090101	FITTING	2		KCO10-020N	
7	31611613101	POWER SUPPLY	1			
8	90172108018	BOLT, HEXAGON SOCKET	4		M8X18	
9	90302040801	WASHER, SPRING	6		8	
10	91002801100	O-RING	2		1B P11	
11	31645360100	SUPPORT	1			
12	90186210014	BOLT, FLANGE	4		M10X14	
13	37005700130	CLAMP	2		10X2	
14	90101208035	BOLT	2		M8X35	
15	90303070801	WASHER, PLAIN	2		8	
31	91002801100	O-RING	2		1B P11	

www.AutoEPC.com

TM-ZR300 31014010170A FRAME/SL, MANUAL, HOOK-IN  
PC5410006-03 CONTROL UNIT

900



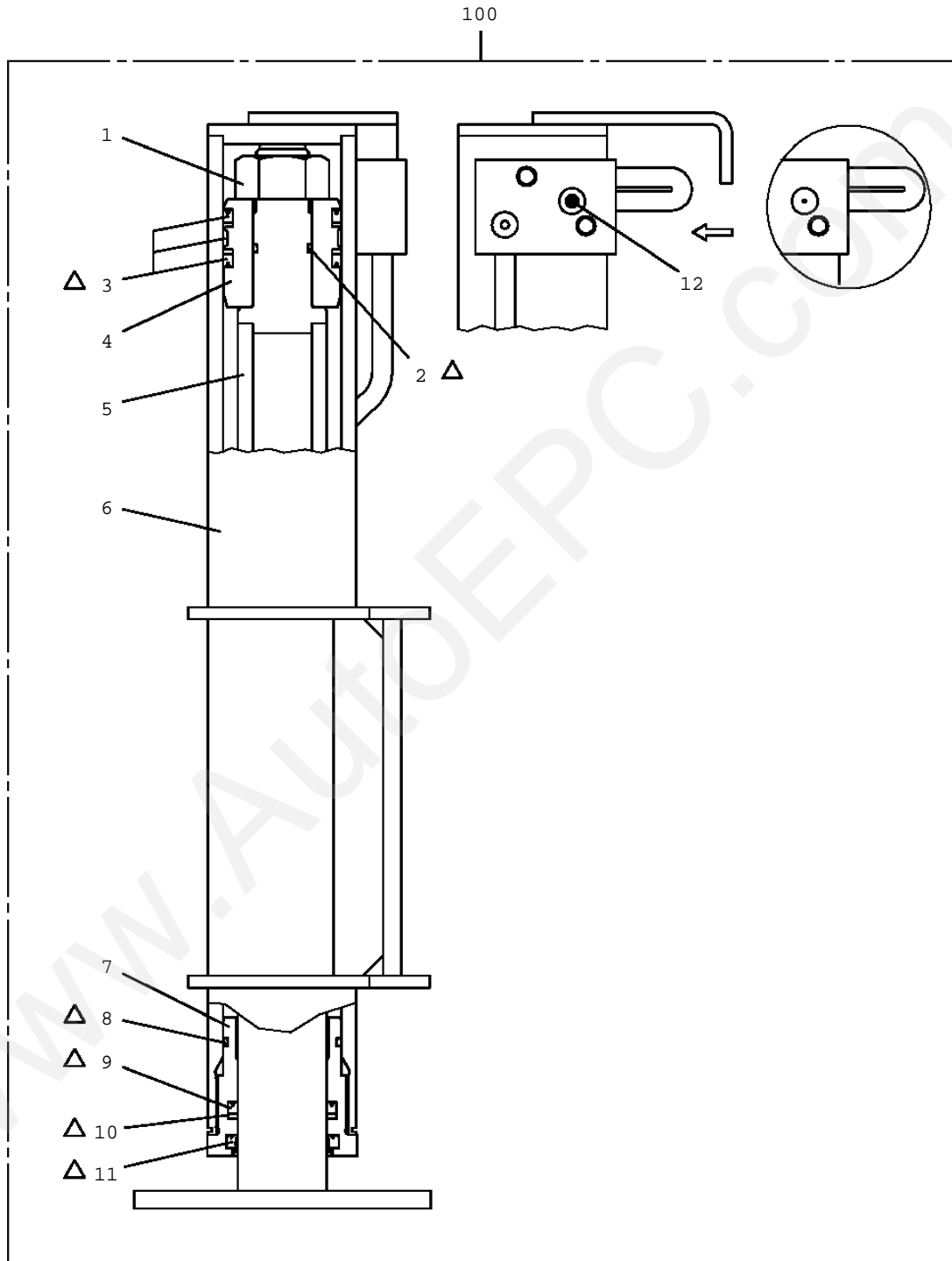
**TM-ZR300 31014010170A FRAME/SL,MANUAL,HOOK-IN**

Pos No.	Parts No	Parts Name	Qty	Unit	Technical Data	Serial No (Start)	Serial :
7	36804917060	STEM	1				
8	36804917640	PANEL	1				
29	36804917730	GASKET	1				
30	36804917740	FRAME	1				
31	36804917750	SCREW(3X8)	6				
900	36804911001	CONTROL UNIT	1				

www.AutoEPC.com



TM-ZR300 31014010170A FRAME/SL, MANUAL, HOOK-IN  
PC6390046-01 CYLINDER ASSY, JACK



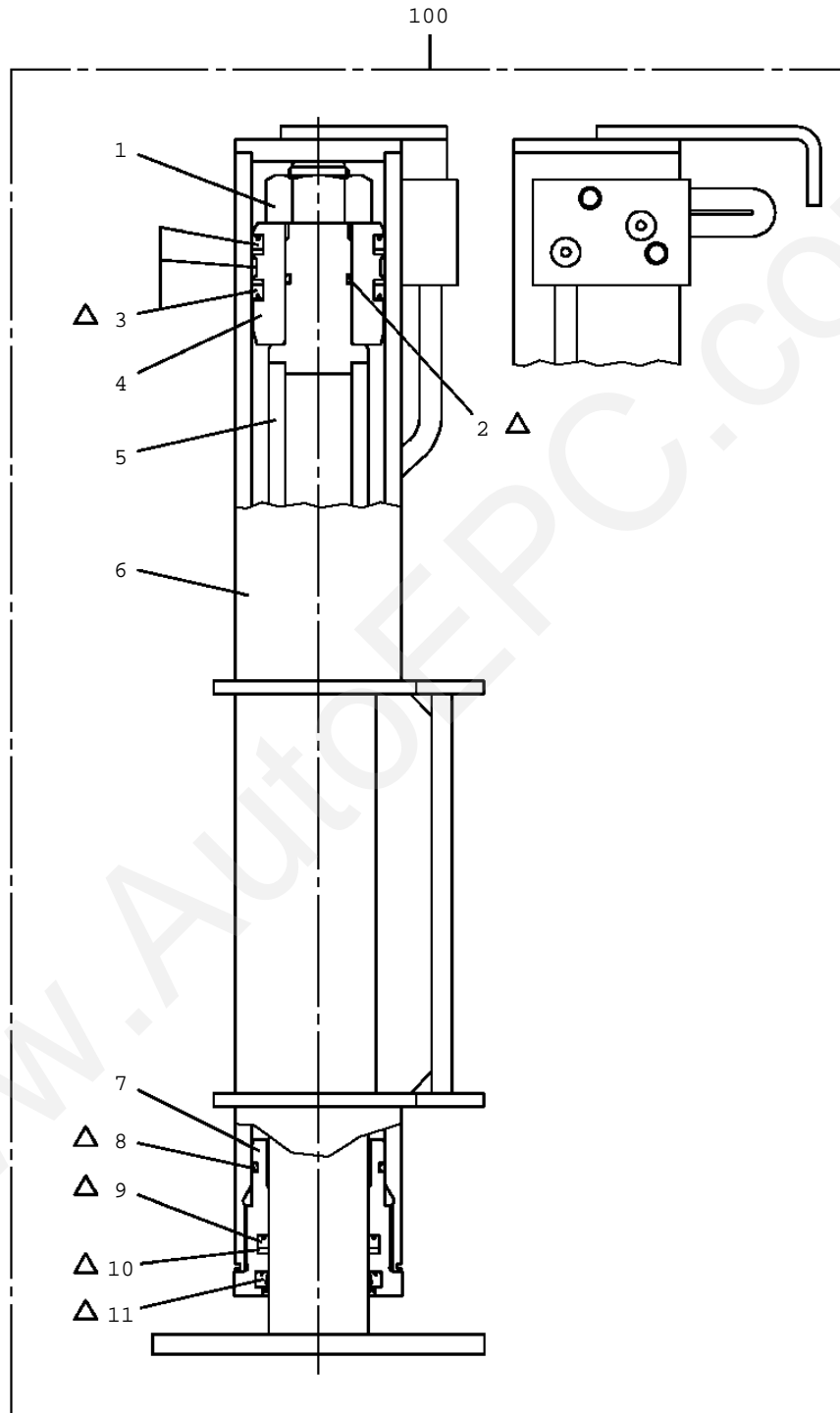
Δ: PACKING SET KEY NO. 50 (KEY NO. 2, 3, 8, 9, 10, 11)

**TM-ZR300 31014010170A FRAME/SL,MANUAL,HOOK-IN**

Pos No.	Parts No	Parts Name	Qty	Unit	Technical Data	Serial N
1	37001601420	NUT	1		M27X2	
2	91002902500	O-RING	1		1B G25	
3	91350206000	BEARING,PLAIN (WITH PACKINGX2)	1			
4	36013823000	PISTON	1			
5	36033162000	ROD	1			
6	36034731000	CYLINDER	1			
	36034731001	CYLINDER	1			KA6651
7	36013823200	COVER,ROD	1			
8	91002905500	O-RING	1		1B G55	
9	91694004500	PACKING	1			
10	91410204502	RING,BACKUP	1			
11	91660004501	SEAL,DUST	1			
12	42346381200	ORIFICE	1			KA6651
50	36033169910	PACKING SET	1		45X60	
100	36034730000	CYLINDER ASSY,JACK	1			

www.AutoEPC.com

TM-ZR300 31014010170A FRAME/SL, MANUAL, HOOK-IN  
PC6390047-01 CYLINDER ASSY, JACK



△:PACKING SET KEY NO.50 (KEY NO.2,3,8,9,10,11)

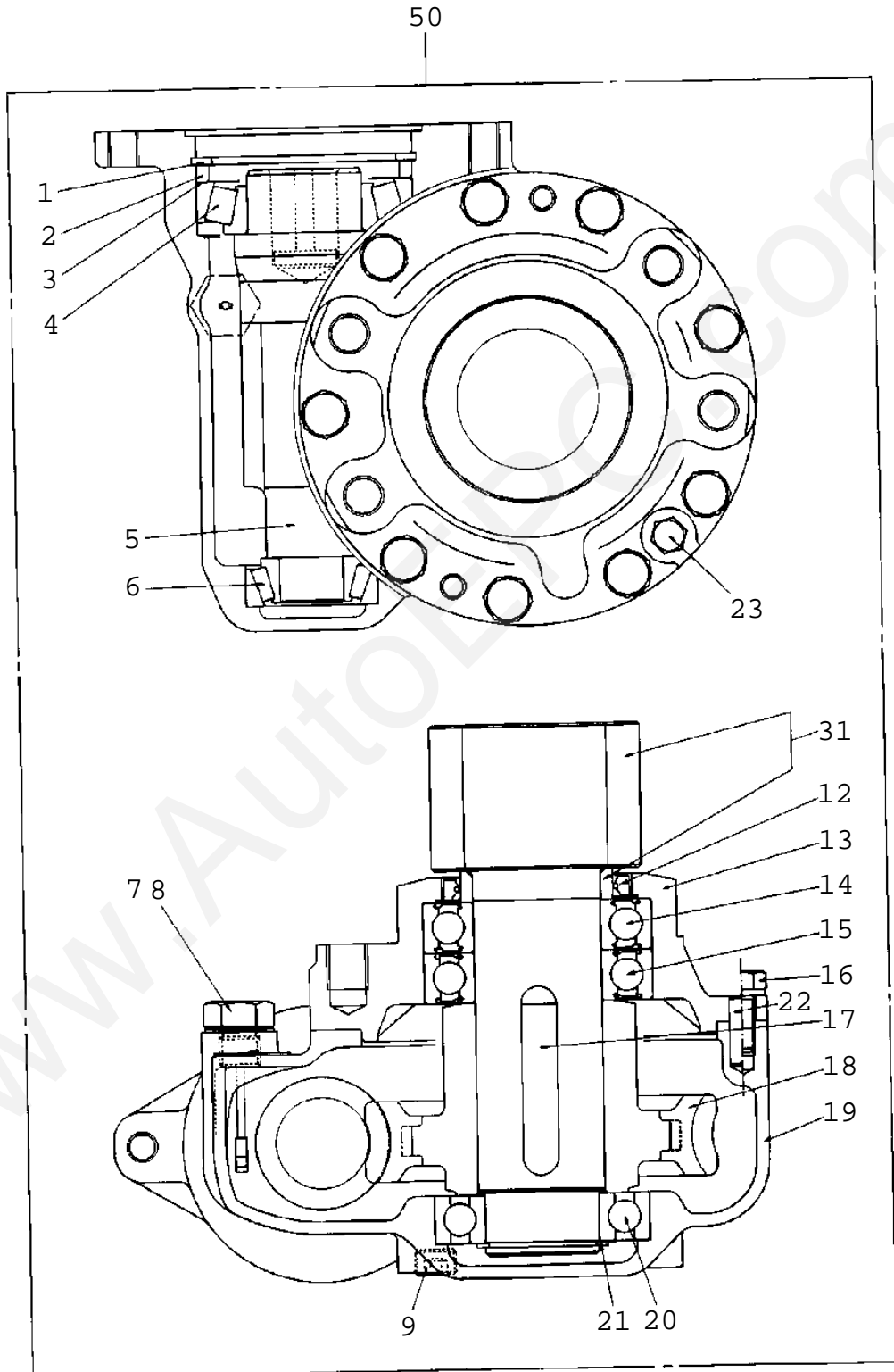
**TM-ZR300 31014010170A FRAME/SL,MANUAL,HOOK-IN**

Pos No.	Parts No	Parts Name	Qty	Unit	Technical Data	Serial N
1	37001601420	NUT	1		M27X2	
2	91002902500	O-RING	1		1B G25	
3	91350206000	BEARING,PLAIN (WITH PACKINGX2)	1			
4	36013823000	PISTON	1			
5	36033162000	ROD	1			
6	36034731002	CYLINDER	1			
7	36013823200	COVER,ROD	1			
8	91002905500	O-RING	1		1B G55	
9	91694004500	PACKING	1			
10	91410204502	RING,BACKUP	1			
11	91660004501	SEAL,DUST	1			
50	36033169910	PACKING SET	1		45X60	
100	36034730001	CYLINDER ASSY,JACK	1			

www.AutoEPC.com

TM-ZR300 31014010170A FRAME/SL, MANUAL, HOOK-IN  
PD1010133-00 REDUCER, SWING SPEED

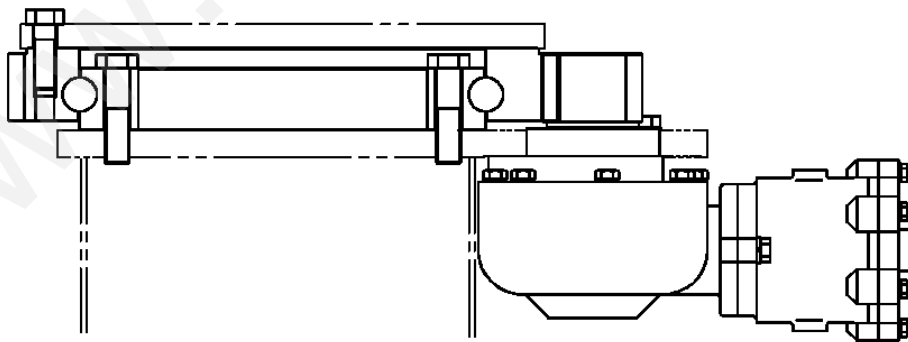
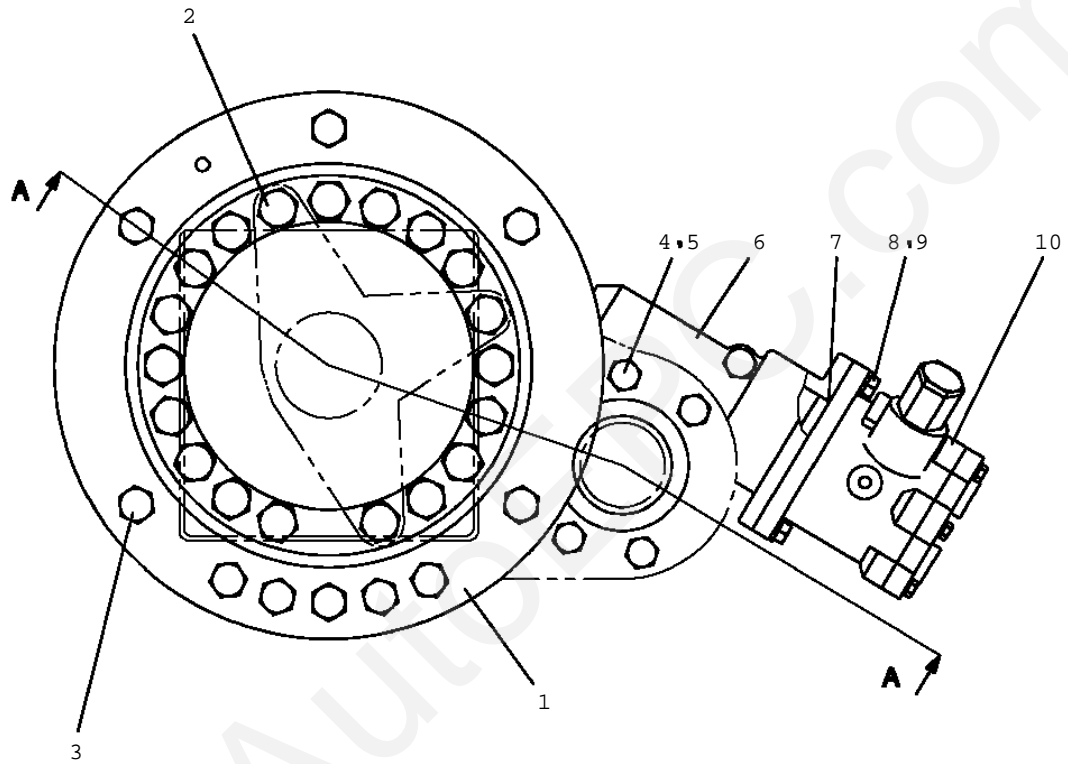
Assembly Name REDUCER, SWING SPEED



**TM-ZR300 31014010170A FRAME/SL,MANUAL,HOOK-IN**

Pos No.	Parts No	Parts Name	Qty	Unit	Technical Data
1	36081325090	RING,SNAP	1		
2	36081325010	SPACER	1		
3	36081325080	SHIM SET	1		
4	36081325110	BEARING,TAPER ROLLER	1		
5	36081325020	WORM	1		
6	36081325120	BEARING,TAPER ROLLER	1		
7	36080755040	GAUGE,OIL	1		
8	36080235080	WASHER,SEAL	1		M16
9	80316090060	PLUG	1		KKT PT3/8
12	91280431931	SEAL,OIL	1		
13	36081325050	CASE,GEAR	1		
14	36081325130	BEARING,BALL(METAL SHIELD TYPE 6210ZZC3)	1		
15	36081325140	BEARING,BALL (RUBBER SEAL TYPE 6210LLU)	1		
16	36080495050	BOLT,SEMS (M10X25,WITH WASHER)	9		
17	36080505080	KEY	1		
18	36081325060	WHEEL,WORM	1		
19	36081325070	CASE,GEAR	1		
20	80500006209	BEARING,BALL	1		
21	80601110450	RING,RITAINING	1		S45
22	36080015000	PIN	2		
23	82400000478	BREATHER	1		
31	36081325500	GEAR,SPUR	1		
50	36081320000	REDUCER,SWING SPEED	1		

TM-ZR300 31014010170A FRAME/SL, MANUAL, HOOK-IN  
PD1010154-01 REDUCER, SWING SPEED (MOUNT)



A-A

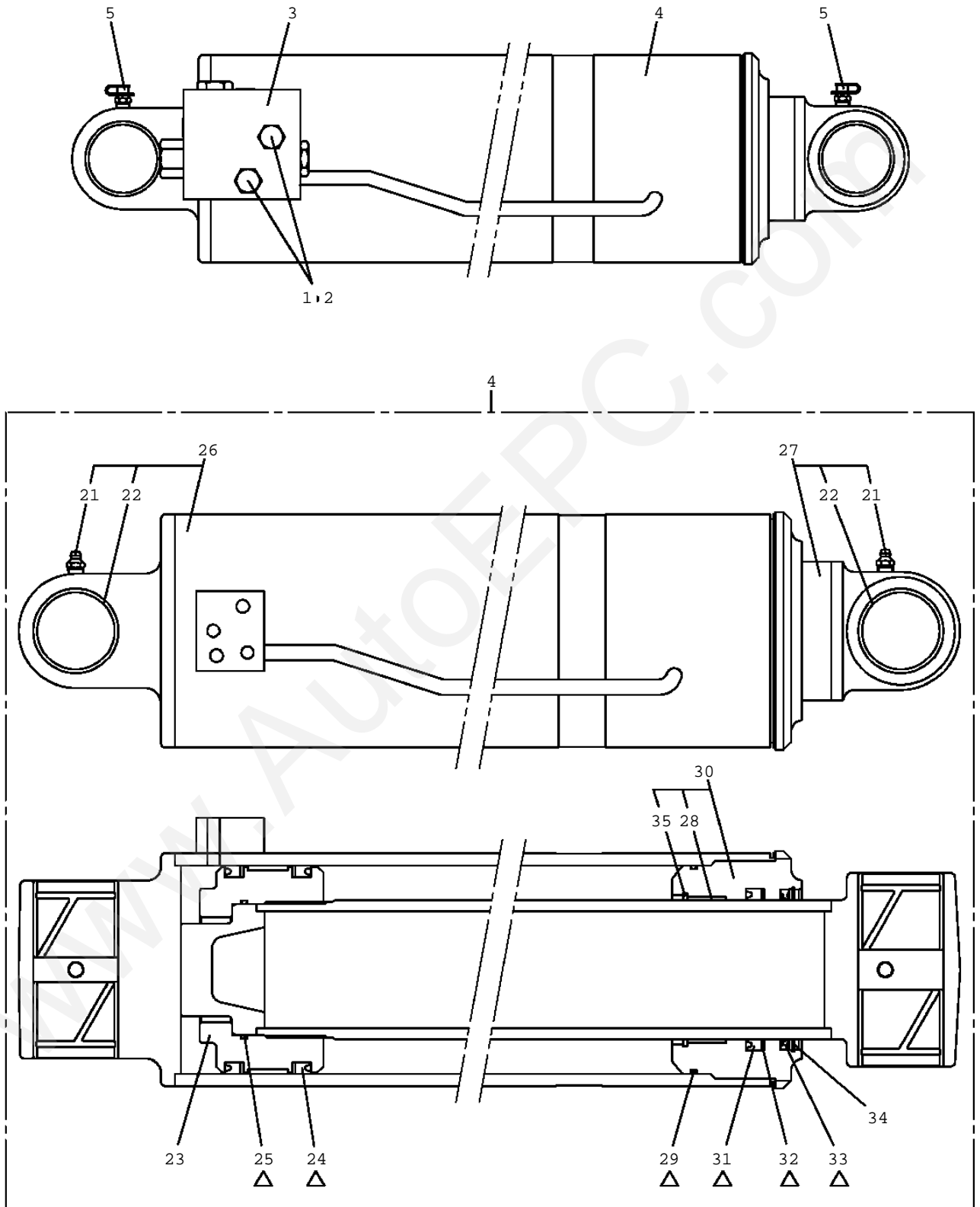
**TM-ZR300 31014010170A FRAME/SL,MANUAL,HOOK-IN**

Pos No.	Parts No	Parts Name	Qty	Unit	Technical Data	Serial N
1	37002303540	BEARING, SWING (NIHON MONORACE)	1			
	37002303220	BEARING, SWING (IZUMI)	1			
	37002302740	BEARING, SWING (NACHI)	1			
	37002302720	BEARING, SWING (NTN)	1			
2	31300070010	BOLT	19		M20X80	
3	37001500560	BOLT	10		M18X55	
4	90171116040	BOLT	4		M16X40	
5	90302041601	WASHER, SPRING	4		16	
6	36081320000	REDUCER, SWING SPEED	1			
7	91001208500	O-RING	1		1A G85	
8	90172112035	BOLT, HEXAGON SOCKET	2		M12X35	
9	90302041201	WASHER, SPRING	2		12	
10	36662600000	MOTOR, HYDRAULIC (SWING)	1			
	36663950000	MOTOR, HYDRAULIC	1			ES8951

www.AutoEPC.com



TM-ZR300 31014010170A FRAME/SL, MANUAL, HOOK-IN  
 PE1010348-03 CYLINDER, ELEVATING



△:PACKING SET KEY NO. 90 (KEY NO.24,25,29,31,32,33)

**TM-ZR300 31014010170A FRAME/SL,MANUAL,HOOK-IN**

Pos No.	Parts No	Parts Name	Qty	Unit	Technical Data	Serial N
1	90171110040	BOLT	2		M10X40	
2	90302041001	WASHER,SPRING	2		10	
3	36605180001	VALVE,COUNTERBALANCE	1			
4	36025860000	CYLINDER,ELEVATING	1			
5	82400000459	CAP	2			
21	82456101000	NIPPLE,GREASE	2		A-PT1/8	
22	37000403580	BEARING,PLAIN (DAIDO METAL)	4			
23	36025271000	PISTON	1			
24	91350213500	BEARING,PLAIN (WITH PACKINGX2)	1			
25	91002908500	O-RING	1		1B G85	
26	36025869510	CYLINDER ASSY	1			
27	36025869520	ROD ASSY	1			
28	37000403700	BEARING,PLAIN	1			
29	91002913000	O-RING	1		1B G130	
30	36025869530	COVER,ROD	1			
31	91694009000	PACKING	1			
32	91410209000	RING,BACKUP	1			
33	91660009000	SEAL,DUST	1			
34	80622000900	RING,RITAINING	1		SP90	
35	80612110980	RING,RITAINING	1		AR98	
90	36025869900	PACKING SET	1		90X135	

www.AutoEPC.com

TM-ZR300 31014010170A FRAME/SL, MANUAL, HOOK-IN  
PE5020101-00 ELEC.ASSY (AWL LAMP)

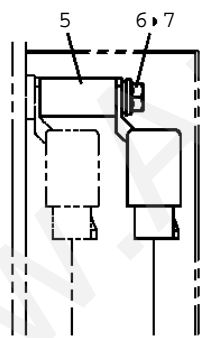
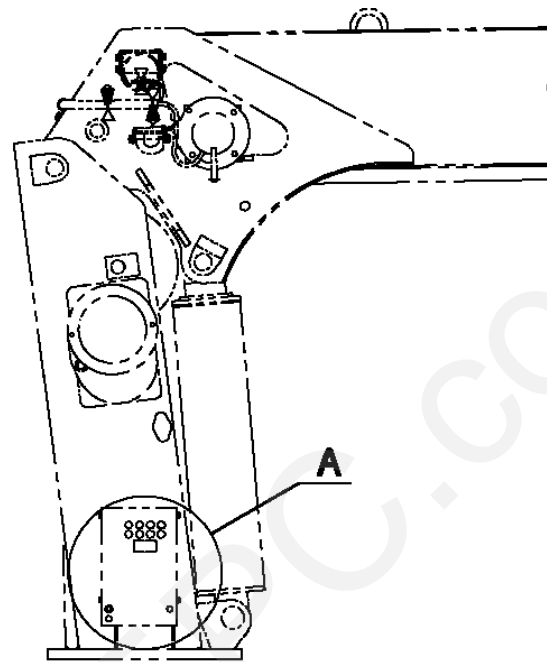
指示番号 KEY NO.	ハイセンASSY (AWLランプ へんこう) ELEC.ASSY (AWL LAMP)
1	ハイセンASSY ELEC.ASSY
2	ネームプレートASSY (ランプ テントウジ ヨウケンへんこう) NAME PLATE ASSY
6	ネームプレートASSY (タカサセイゲンランプ テントウジ ヨウケンへんこう) NAME PLATE ASSY

**TM-ZR300 31014010170A FRAME/SL,MANUAL,HOOK-IN**

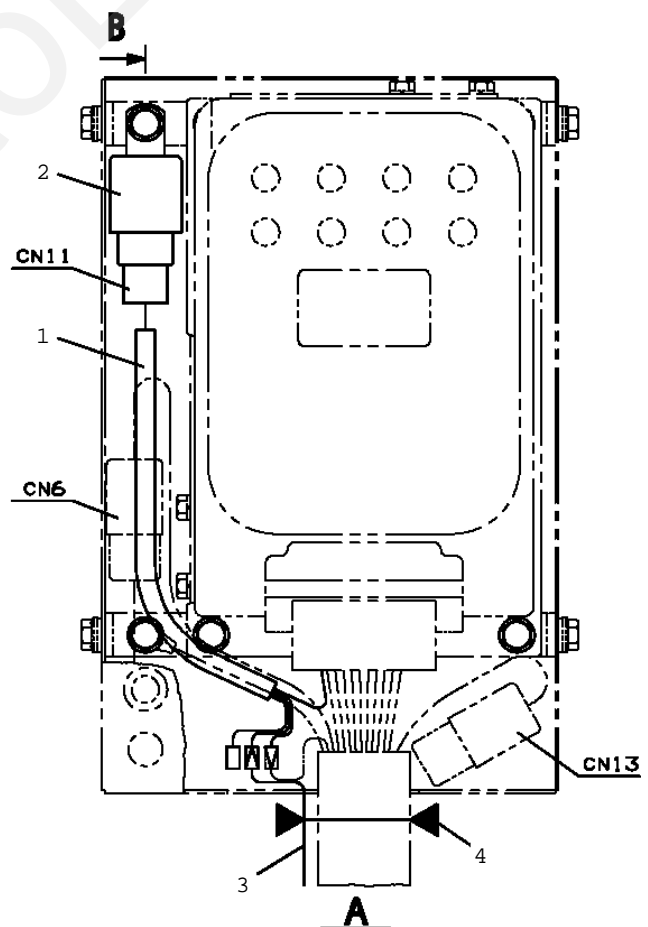
Pos No.	Parts No	Parts Name	Qty	Unit	Technical Data	Serial No (Start)	Se
1	(***** )	ELEC.ASSY	1				
2	(***** )	NAME PLATE ASSY	1				
6	(***** )	NAME PLATE ASSY	1			ES8947	

www.AutoEPC.com

TM-ZR300 31014010170A FRAME/SL, MANUAL, HOOK-IN  
PE5020102-00 ELEC.ASSY



**B**

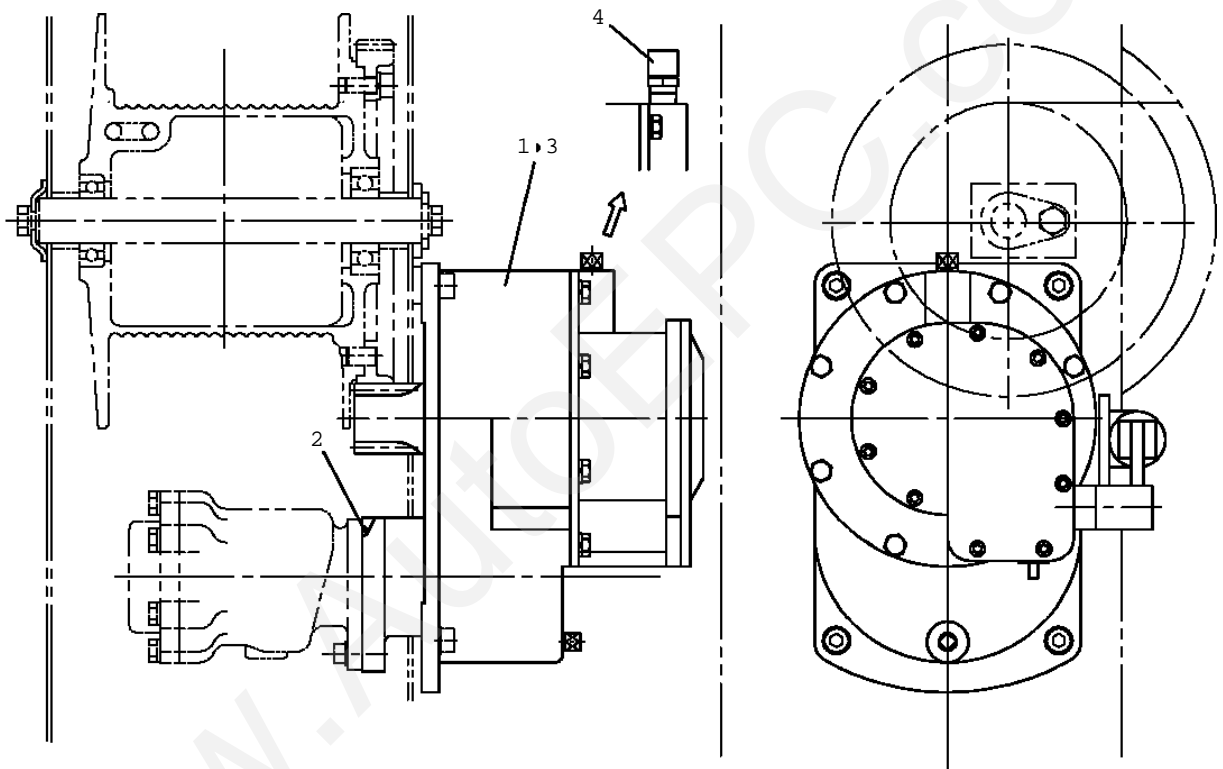


**TM-ZR300 31014010170A FRAME/SL,MANUAL,HOOK-IN**

Pos No.	Parts No	Parts Name	Qty	Unit	Technical Data	Serial No (Start)	Serial
1	31500701100	HARNESS	1				
2	82100002596	RELAY	1				
3	31473744700	HARNESS (RED)	1		L=1000		
4	91810130240	FASTENER	4				
5	44630111170	SPACER	1				
6	90186206045	BOLT, FLANGE	1		M6X45		
7	90303070601	WASHER, PLAIN	1		6		

www.AutoEPC.com

TM-ZR300 31014010170A FRAME/SL, MANUAL, HOOK-IN  
PF1010131-01 WINCH (DRUM FREE, OPTION)



**TM-ZR300 31014010170A FRAME/SL,MANUAL,HOOK-IN**

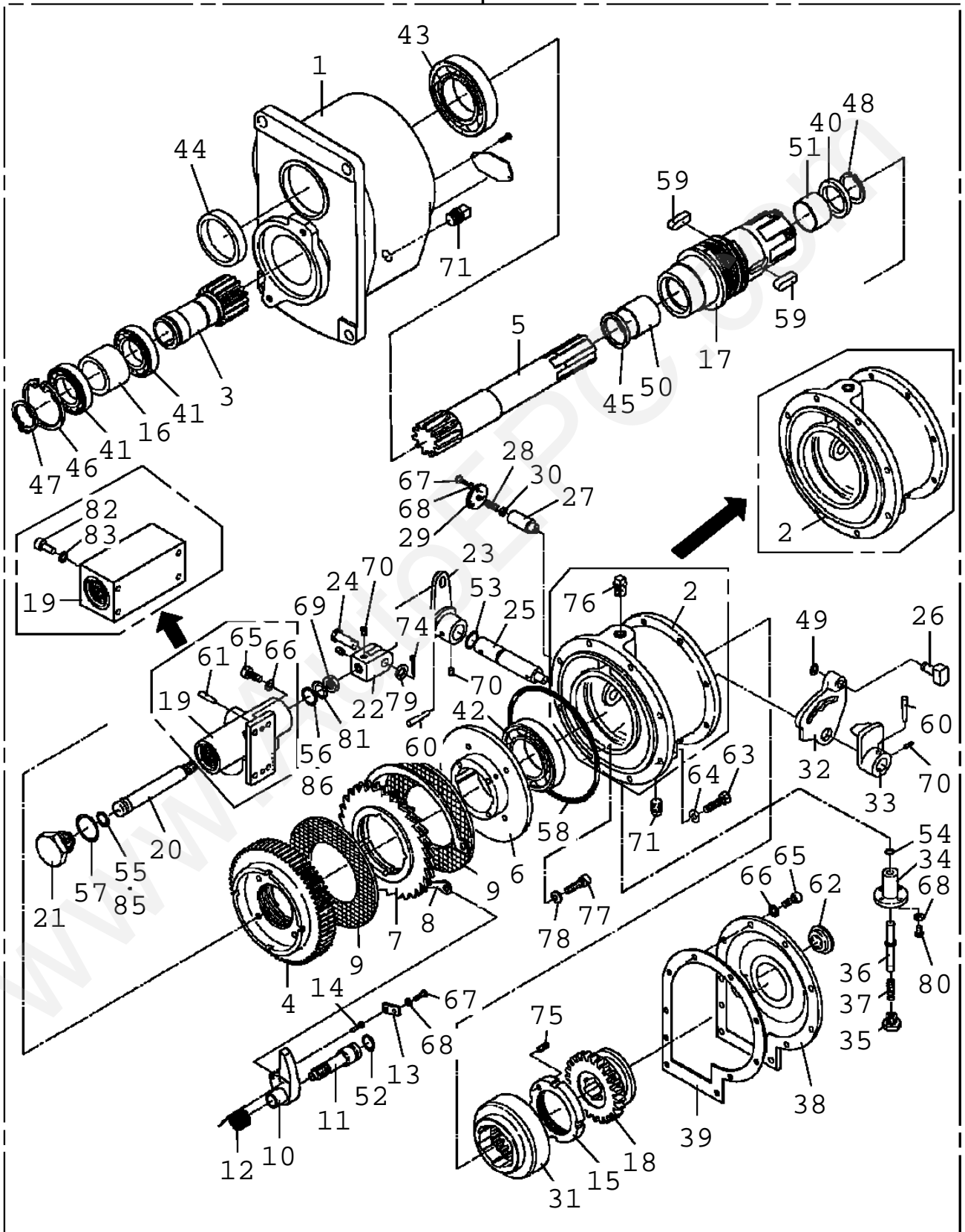
Pos No.	Parts No	Parts Name	Qty	Unit	Technical Data	Serial No (Start)	Se
1	36072280000	WINCH (DRUM FREE)	1				
2	91001206000	O-RING	1		1A G60		
4	31310610500	BREATHER,AIR	1				

www.AutoEPC.com



TM-ZR300 31014010170A FRAME/SL, MANUAL, HOOK-IN  
PF1010133-01 WINCH (DRUM FREE)

100



**TM-ZR300 31014010170A FRAME/SL, MANUAL, HOOK-IN**

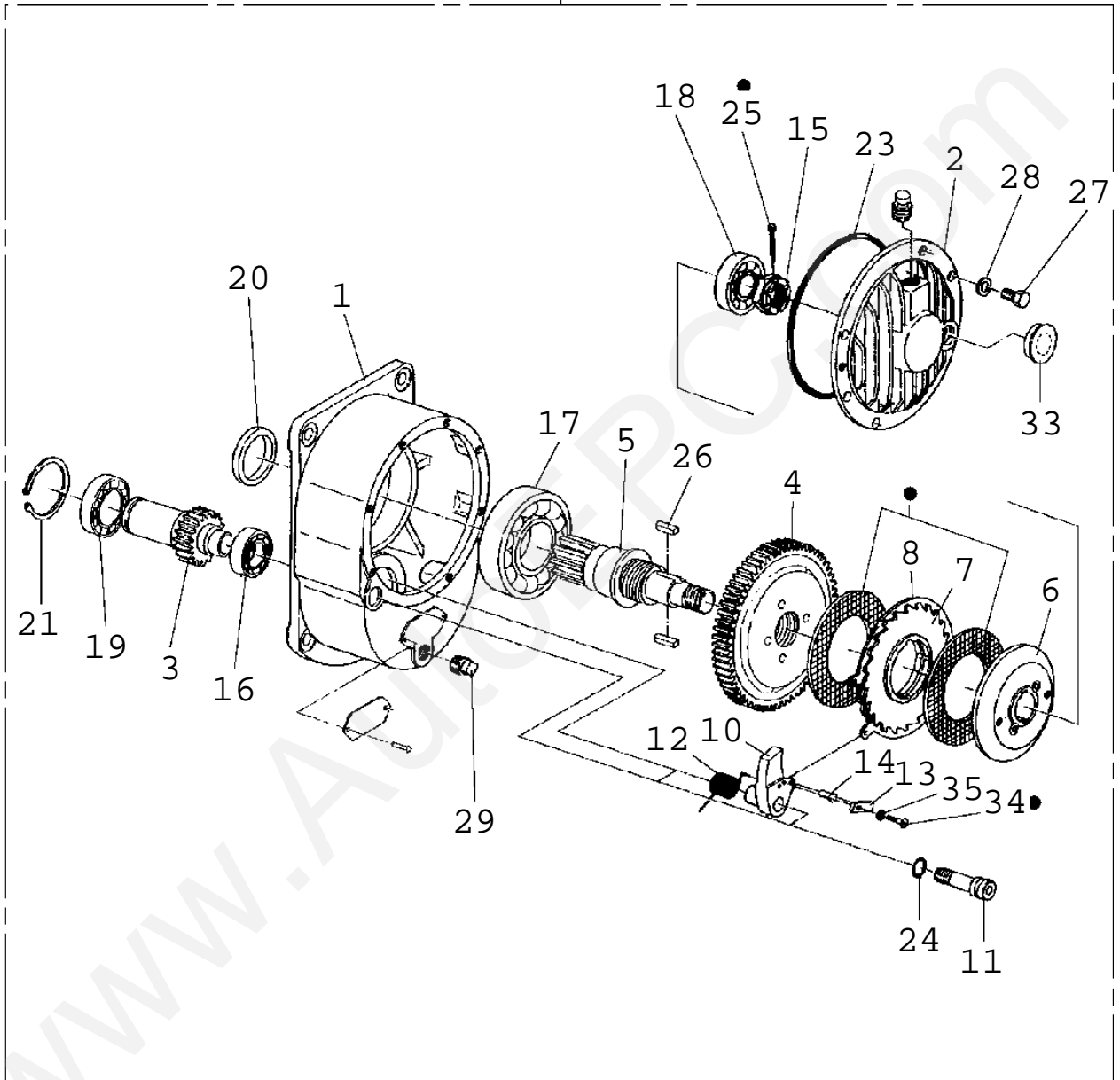
Pos No.	Parts No	Parts Name	Qty	Unit	Technical Data	Serial No (Start
1	36072285070	CASE, GEAR	1			
2	36071315020	CASE (CLUTCH)	1			
3	36071195030	GEAR, SPUR	1			
4	36071315030	GEAR, SPUR	1			
5	36071315040	GEAR, SPUR	1			
6	36071315050	BRAKE, DISK	1			
7	36071315060	WHEEL, RATCHET	1			
8	36071195080	LINK (RATCHET CONTROL)	1			
9	36071315070	DISK ASSY	2			
10	36071195100	RATCHET	1			
11	36071315080	SHAFT	1			
12	36071315090	SPRING	1			
13	36071195130	CAP	1			
14	36071195140	PIN	1			
15	36071315100	NUT	1			
16	36071195160	SPACER	1			
17	36071315110	SHAFT	1			
18	36071315120	GEAR, CLUTCH	1			
19	36072285080	CYLINDER	1			
20	36072285020	PISTON	1			
21	36071315150	STOPPER	1			
22	36071315160	JOINT, KNUCKLE	1			
23	36071315170	ARM (CLUTCH)	1			
24	36071315180	PIN (HINGE)	1			
25	36071315190	SHAFT	1			
26	36071315200	PIN (SLIDE)	1			
27	36071135150	PIN (LOCK)	1			
28	36071135160	SPRING	1			
29	36071315210	CAP	1			
30	36071315220	WASHER	1			
31	36071315230	GEAR, CLUTCH	1			
32	36071315240	SHIFTER (1)	1			
33	36071315250	SHIFTER (2)	1			
34	36071315261	HOUSING (INDICATOR)	1			
35	36071315270	NUT	1			
36	36071315280	PIN	1			
37	36071315290	SPRING	1			
38	36071315300	COVER	1			
39	36071315310	PACKING (SEAT)	1			
40	36071315320	SPACER (2)	1			
41	80500006007	BEARING, BALL	2			
42	80500006211	BEARING, BALL	1			
43	80500006212	BEARING, BALL	1			
44	91206058002	SEAL, OIL	1			
45	36071315330	SEAL, OIL	1			
46	80602110620	RING, RITAINING	1		R62	
47	80601110350	RING, RITAINING	1		S35	
48	80601110340	RING, RITAINING	1		S34	
49	80601110100	RING, RITAINING	1		S10	
50	36071315340	BEARING, PLAIN	1			
51	36071315350	BEARING, PLAIN	1			
52	91001101500	O-RING	1		1A P15	
53	91001101400	O-RING	2		1A P14	
54	91001100800	O-RING	1		1A P8	
55	91001101800	O-RING	1		1A P18	
56	91001101400	O-RING	1		1A P14	
57	91001102201	O-RING	1		1A P22A	
58	36071195200	O-RING	1			
59	36071315360	KEY	2			
60	36071315370	PIN, TAPER	2			
62	36071195190	GAUGE, OIL	1			
63	90131508018	BOLT, HEXAGON SOCKET	7		M8X18	
64	90302040801	WASHER, SPRING	7		8	
65	90131506018	BOLT, HEXAGON SOCKET	10		M6X18	
66	90302040601	WASHER, SPRING	10		6	
67	80172304012	SCREW, MACHINE	1		M4X12	
68	90302040401	WASHER, SPRING	8		4	
69	90211301200	NUT	1		M12	
70	36071315390	SCREW, SET	3		M6X6	
71	80205000300	PLUG	2		PT3/8	
74	80136320016	PIN, SPLIT	1		2X16	
75	36071135290	SCREW	2		M5X10	
77	90131508015	BOLT, HEXAGON SOCKET	1		M8X15	
78	36071315400	WASHER, SEAL	1			

**TM-ZR300 31014010170A FRAME/SL, MANUAL, HOOK-IN**

Pos No.	Parts No	Parts Name	Qty	Unit	Technical Data	Serial No (Start
79	90303071001	WASHER, PLAIN	1		10	
80	90131504012	BOLT, HEXAGON SOCKET	7		M4X12	
81	36072285030	SEAL, DUST	1			
82	90131506045	BOLT, HEXAGON SOCKET	4		M6X45	
83	90302040601	WASHER, SPRING	4		6	
85	91410001800	RING, BACKUP	2		P18	
86	91410001400	RING, BACKUP	1		P14	
100	36072280000	WINCH (DRUM FREE)	1			

www.AutoEPC.com

100



- : FACING KIT KEY NO1 0 1( JAPANESE )
- : FACING KIT KEY NO1 0 2( ENGLISH )



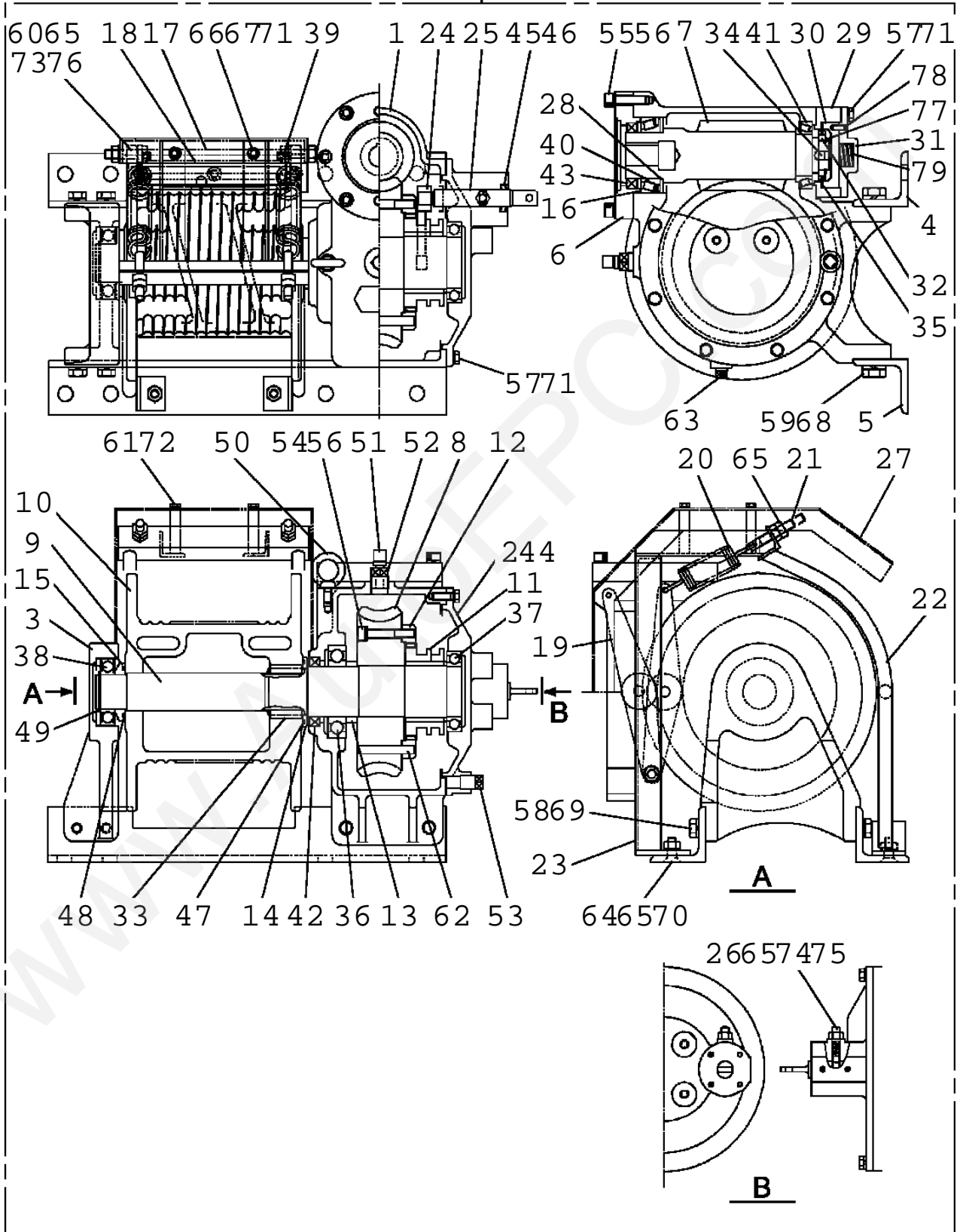
- Protective seal
- Replacement interval name plate

**TM-ZR300 31014010170A FRAME/SL,MANUAL,HOOK-IN**

Pos No.	Parts No	Parts Name	Qty	Unit	Technical Data	Serial No (
1	36072625080	CASE,GEAR	1			
2	36072625020	CASE,GEAR	1			
3	36072625030	GEAR,SPUR	1			
4	36072625100	GEAR,SPUR	1			
5	36072625050	GEAR,SPUR	1			
6	36072625110	BRAKE,DISK	1			
7	36072625120	WHEEL,RATCHET (BUSH L=17MM)	1			
8	36071195080	LINK (RATCHET CONTROL)	1			
10	36071195100	RATCHET	1			
11	36072625090	SHAFT	1			
12	36071195120	SPRING	1			
13	36071195130	CAP	1			
14	36071195140	PIN	1			
15	36071195150	NUT	1			
16	80500006202	BEARING,BALL	1			
17	80500006212	BEARING,BALL	1			
18	80500006305	BEARING,BALL	1			
19	80500006007	BEARING,BALL	1			
20	91206048001	SEAL,OIL	1			
21	80602110620	RING,RITAINING	1		R62	
23	36071195200	O-RING	1			
24	36071195170	O-RING	1		P15	
25	80136340040	PIN,SPLIT	1		4X40	
26	36072625070	KEY	2			
27	90101208018	BOLT	6		M8X18	
28	90302040801	WASHER,SPRING	6		8	
29	80316030060	PLUG	1		PT3/8	
33	36071195190	GAUGE,OIL	1			
34	80172304015	SCREW,MACHINE	1		M4X15	
35	90302040401	WASHER,SPRING	1		4	
100	36072620000	WINCH (HARTYS)	1			
101	36070441000	FACING KIT(JAPANESE)	1			
102	36070442000	FACING KIT (ENGLISH)	1			

TM-ZR300 31014010170A FRAME/SL, MANUAL, HOOK-IN  
 PF1010207-00 WINCH (HARTYS)

100



**TM-ZR300 31014010170A FRAME/SL, MANUAL, HOOK-IN**

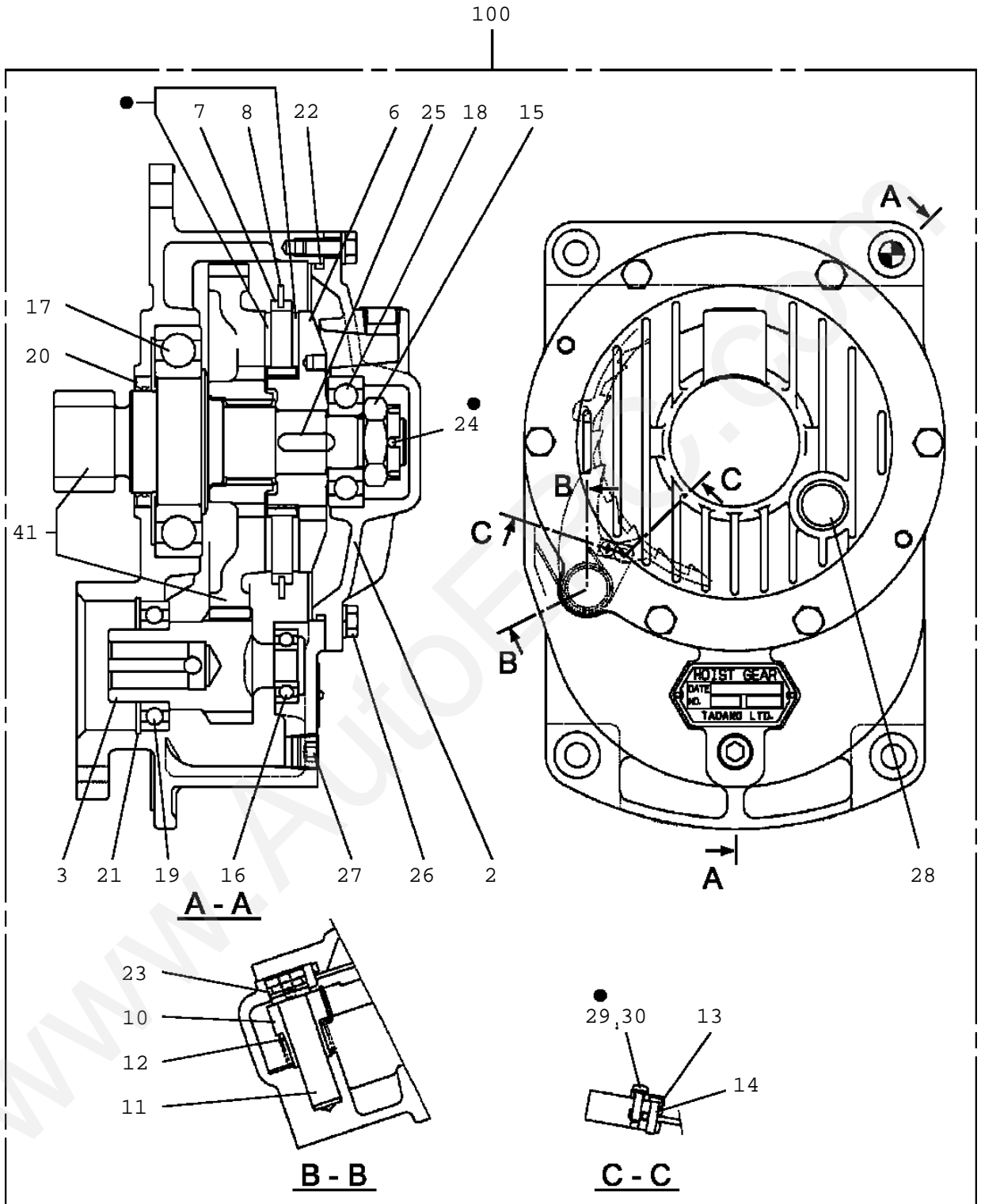
Pos No.	Parts No	Parts Name	Qty	Unit	Technical Data	Serial No (Start)
1	36072815010	CASE, GEAR	1			
2	36072815020	COVER	1			
3	36072815030	RETAINER (BEARING)	1			
4	36072815040	FRAME	1			
5	36072815050	FRAME	1			
6	36072815060	FLANGE (MOTOR)	1			
7	36072815070	WORM	1			
8	36072815080	WHEEL, WORM	1			
9	36072815090	DRUM, SHAFT	1			
10	36072815100	DRUM	1			
11	36072815110	CLUTCH	1			
12	36072815120	CLUTCH	1			
13	36072815130	COLLAR	1			
14	36072815140	COLLAR	1			
15	36072815150	COLLAR	1			
16	36072815160	PLATE (SHIM)	1			
17	36072815170	ROLLER	1			
18	36072815180	SHAFT (ROLLER)	1			
19	36072815190	ARM (ROLLER)	2			
20	36072815200	SPRING	2			
21	36072815210	BOLT (TENSION)	2			
22	36072815220	GUIDE (WIRE)	1			
23	36072815230	STAND (ROLLER)	1			
24	36072815240	FORK (CHENGE)	1			
25	36072815250	SHAFT	1			
26	36072815260	GUIDE, BLOCK	1			
27	36072815270	COVER	1			
28	36072815280	PLATE	1			
29	36072815290	CASE	1			
30	36072815300	PLATE	1			
31	36072815310	COVER	1			
32	36072815320	GEAR	1			
33	36072815330	KEY	2			
34	36072815340	KEY	1			
35	36072815350	FACING	1			
36	80500006212	BEARING, BALL	1			
37	80500006012	BEARING, BALL	1			
38	80516006208	BEARING, BALL	1			
39	80516006202	BEARING, BALL	2			
40	36070525350	BEARING, ROLLER	1			
41	36070525360	BEARING, ROLLER	1			
42	91206060003	SEAL, OIL	1			
43	36072815360	SEAL, OIL	1			
44	36072815370	PACKING (SEAT)	1			
45	36072815380	SEAL, DUST	1			
46	36072815390	RING	1			
47	91001207000	O-RING	1		1A G70	
48	91001205500	O-RING	1		1A G55	
49	80601110400	RING, RITAINING	1		S40	
50	90151200100	BOLT, EYE	1		M10	
51	82400000478	BREATHER	1			
52	36070525390	PLUG	1		PT1/2X1/8	
53	80205000300	PLUG	1		PT3/8	
54	90172110060	BOLT, HEXAGON SOCKET	8		M10X60	
55	90172110040	BOLT, HEXAGON SOCKET	6		M10X40	
56	90302041001	WASHER, SPRING	14		10	
57	90101508025	BOLT	12		M8X25	
58	90171112030	BOLT	4		M12X30	
59	90171116035	BOLT	4		M16X35	
60	90171110045	BOLT	2		M10X45	
61	90171106010	BOLT, HEXAGON SOCKET	4		M6X10	
62	36072815400	PIN (PARALLEL)	2			
63	80205000200	PLUG	1		PT1/4	
64	36072815410	BOLT, FLAT HEAD	5			
65	90201201000	NUT	12		M10	
66	90101208020	BOLT	2		M8X20	
67	90201200800	NUT	2		M8	
68	90302041601	WASHER, SPRING	4		16	
69	90302041201	WASHER, SPRING	4		12	
70	90302041001	WASHER, SPRING	5		10	
71	90302040801	WASHER, SPRING	14		8	
72	90302040601	WASHER, SPRING	4		6	
73	90303071001	WASHER, PLAIN	2		10	
74	36072815420	SPRING	1			

**TM-ZR300 31014010170A FRAME/SL,MANUAL,HOOK-IN**

Pos No.	Parts No	Parts Name	Qty	Unit	Technical Data	Serial No (Start)
75	36072815430	BALL,STEEL	1			
76	80136320020	PIN,SPLIT	2		2X20	
77	80601110350	RING,RITAINING	1		S35	
78	36072815440	PIN (PARALLEL)	1			
79	36072815450	SPRING	1			
100	36072810000	WINCH (HARTYS)	1			

www.AutoEPC.com





- : FACING KIT KEY NO.101 ( JAPANESE )
- : FACING KIT KEY NO.102 ( ENGLISH )

- Protective seal
- Replacement interval name plate

**TM-ZR300 31014010170A FRAME/SL, MANUAL, HOOK-IN**

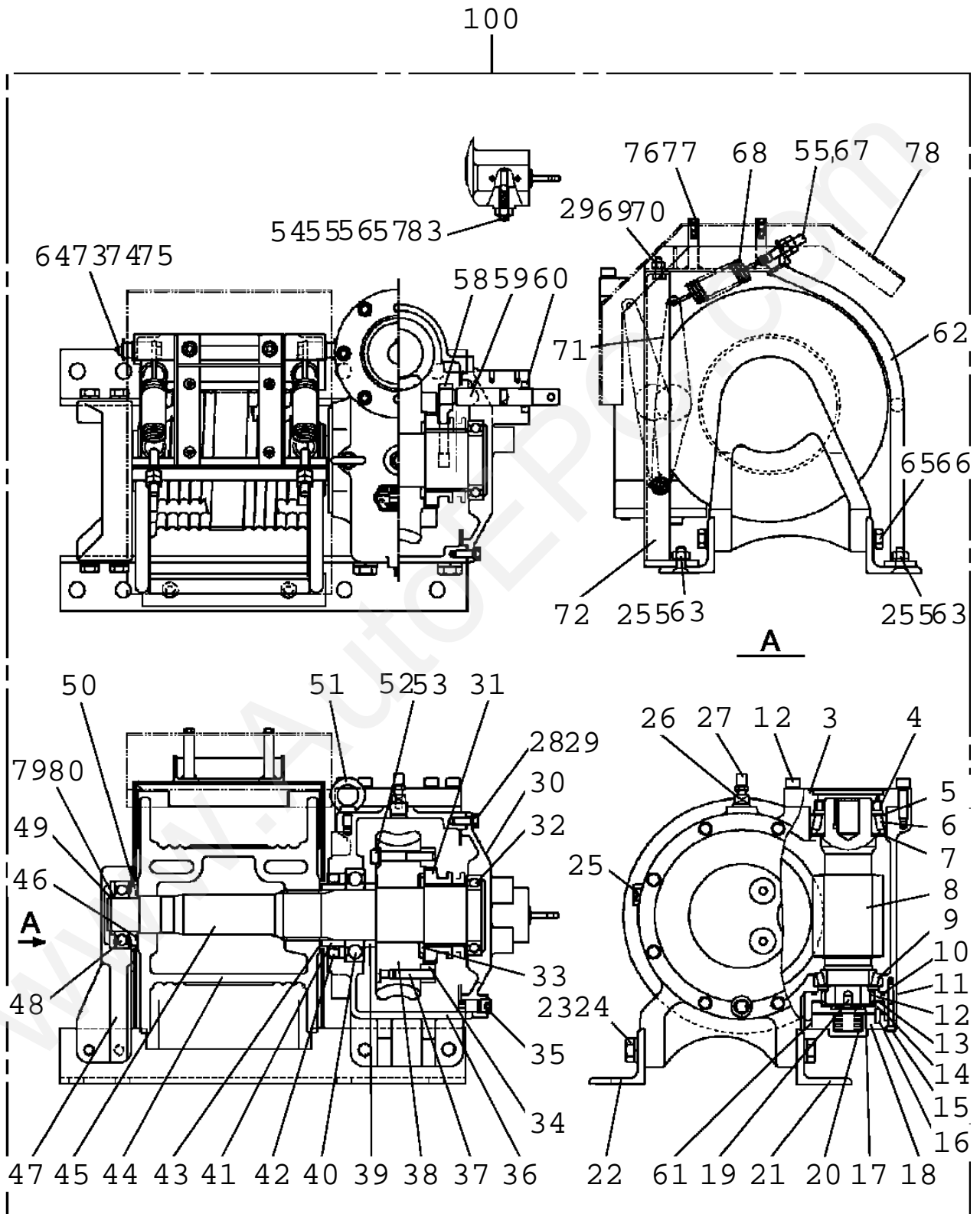
Pos No.	Parts No	Parts Name	Qty	Unit	Technical Data	Serial No (Start)
2	36073085020	COVER	1			
3	36073085030	GEAR	1			
6	36073085061	BRAKE, DISK	1			
7	36073085072	WHEEL, RATCHET	1			
8	36073085080	RING (C)	1			
10	36073085090	RATCHET	1			
11	36073085100	SHAFT	1			
12	36073085111	SPRING	1			
13	36073085120	CAP	1			
14	36073085130	PIN	1			
15	36073085140	NUT	1			
16	80500006202	BEARING, BALL	1			
17	80500006212	BEARING, BALL	1			
18	80500006305	BEARING, BALL	1			
19	80500006007	BEARING, BALL	1			
20	36073085150	SEAL, OIL	1			
21	80602110620	RING, RITAINING	1		R62	
22	36071195200	O-RING	1			
23	91001101500	O-RING	1		1A P15	
24	80136340040	PIN, SPLIT	1		4X40	
25	36073085160	KEY	2			
26	36073085180	BOLT (WITH SW)	6			
27	36073085200	PLUG	1			
28	36073085170	GAUGE, OIL	1			
29	80172304015	SCREW, MACHINE	1		M4X15	
30	90302040401	WASHER, SPRING	1		4	
41	36073085602	GEAR ASSY	1			
100	36073080000	WINCH (Y.G.TEC)	1			
101	36070441000	FACING KIT (JAPANESE)	1			
102	36070442000	FACING KIT (ENGLISH)	1			



**TM-ZR300 31014010170A FRAME/SL, MANUAL, HOOK-IN**

Pos No.	Parts No	Parts Name	Qty	Unit	Technical Data	Serial No (Start)
1	36072255010	CASING	1			
2	36072255020	COVER	1			
3	36072255030	GEAR (1)	1			
6	36073425030	DISK	1			
7	36073425020	WHEEL, RATCHET	1			
8	36073425040	BUSH	1			
9	36072255091	RING, SLIP	1			
10	36072255101	RATCHET	1			
11	36072255110	PIN	1			
12	36072255120	SPRING	1			
13	36072255130	PIN	1			
14	36072255140	PLATE (LOCK)	1			
15	80172304010	SCREW, MACHINE	1		M4X10	
17	36072255160	BOLT (WITH WASHER)	6		M8X25	
19	36072255180	GAUGE, OIL	1			
20	36072255240	PLUG	1			
21	80500006004	BEARING, BALL	1			
22	80500006212	BEARING, BALL	1			
23	80500006305	BEARING, BALL	1			
24	80500006007	BEARING, BALL	1			
25	36072255190	KEY	2		7X7X20	
26	36072255250	O-RING	1			
27	91001101500	O-RING	1		1A P15	
28	36072255210	SEAL, OIL	1			
29	36072255220	NUT, CASTLE	1		M24	
30	80136350035	PIN, SPLIT	1		5X35	
31	80602110620	RING, RITAINING	1		R62	
41	36073435011	GEAR SET	1			
50	36073430000	WINCH (OOKUBO)	1			
101	36072251000	FACING KIT (JAPANESE)	1			
102	36072252000	FACING KIT (ENGLISH)	1			

TM-ZR300 31014010170A FRAME/SL, MANUAL, HOOK-IN  
 PF1010242-01 WINCH (YG.TEC)



**TM-ZR300 31014010170A FRAME/SL, MANUAL, HOOK-IN**

Pos No.	Parts No	Parts Name	Qty	Unit	Technical Data	Serial No (Start)
1	90172110040	BOLT, HEXAGON SOCKET	6		M10X40	
2	90302041001	WASHER, SPRING	11		10	
3	36073295010	FLANGE (MOTOR)	1			
4	91280230551	SEAL, OIL	1			
5	36073295020	SHIM SET	1			
6	36073295500	BEARING, TAPER ROLLER	1			
7	36073295030	SLING	1			
8	36073295040	GEAR, WORM	1			
9	36073295510	BEARING, TAPER ROLLER	1			
10	91001208000	O-RING	1		1A G80	
11	36073295050	HOUSING	1			
12	36700215070	GEAR, BRAKE	1			
13	36700215090	PLATE	1			
14	36072455150	PLATE (PRESSURE)	1			
15	90172106050	BOLT, HEXAGON SOCKET	6		M6X50	
16	36073295360	PIN	1			
17	80601110300	RING, RITAINING	1		S30	
18	36073295060	COVER	1			
19	36072455130	KEY	1			
20	36072455180	SPRING	1			
21	36073295070	FRAME (A)	1			
22	36073295080	FRAME (B)	1			
23	90101516035	BOLT	4		M16X35	
24	90302041601	WASHER, SPRING	4		16	
25	80316090040	PLUG SOCKET	1		R1/4	
26	36070845050	PLUG	1		R1/2XRC1/8	
27	14123000400	BREATHER	1		PT1/8	
28	90101508025	BOLT	8		M8X25	
29	90302040801	WASHER, SPRING	10		8	
30	36073295090	COVER (CASE)	1			
31	36073295100	GEAR (SHIFT)	1			
32	80500006012	BEARING, BALL	1			
33	36073295520	RING, THRUST	1			
34	36073295110	GEAR, INTERNAL	1			
35	80316090060	PLUG	1		KKT PT3/8	
36	36073295120	CASE, GEAR	1			
37	36073295320	PIN	2			
38	36073295130	WHEEL, WORM	1			
39	36073295140	SPACER	1			
40	80500006212	BEARING, BALL	1			
41	36073295150	SLEEVE	1			
42	91280436181	SEAL, OIL	1			
43	91001006500	O-RING	1		S65	
44	36073295160	DRUM	1			
45	36073295170	DRUM, SHAFT	1			
46	91001205000	O-RING	1		1A G50	
47	36073295180	SUPPORT	1			
48	80516006208	BEARING, BALL	1			
49	80601110400	RING, RITAINING	1		S40	
50	36073295190	SPACER	1			
51	90151200100	BOLT, EYE	1		M10	
52	90131910065	BOLT, HEXAGON SOCKET	8		M10X65	
53	36081385080	WASHER	8			
54	36073295200	GUIDE, BLOCK	1			
55	90201201000	NUT	10		M10	
56	36073295210	SPRING	1			
57	80560008000	BALL, STEEL	1		8	
58	36073295220	SHIFTER	1			
59	36073295231	SHIFTER	1			
60	36073295340	SEAL, OIL	1			
61	36073295350	O-RING	1			
62	36073295240	GUIDE (WIRE)	1			
63	90181010030	BOLT	5		M10X30	
64	90236201000	NUT, CASTLE	2		M10	
65	90171112030	BOLT	4		M12X30	
66	90302041201	WASHER, SPRING	4		12	
67	36073295250	BOLT	2			
68	36073295260	SPRING	2			
69	90101208020	BOLT	2		M8X20	
70	90201200800	NUT	2		M8	
71	36073295270	ROLLER ASSY	1			
72	36073295280	ROLLER (STAND)	1			
73	36073295300	BOLT	2			
74	90303071001	WASHER, PLAIN	2		10	

**TM-ZR300 31014010170A FRAME/SL,MANUAL,HOOK-IN**

Pos No.	Parts No	Parts Name	Qty	Unit	Technical Data	Serial No (Start)
75	80136325025	PIN,SPLIT	2		2.5X25	
76	90302040601	WASHER,SPRING	4		6	
77	90101506010	BOLT	4		M6X1.0	
78	36073295291	COVER	1			
79	36073295310	SHIM SET	1			
80	12213012000	SPACER	1		T=3	
83	36073295530	SEAL,FASTENER	1			
100	36073290000	WINCH (YG.TEC)	1			

www.AutoEPC.com

TM-ZR300 31014010170A FRAME/SL, MANUAL, HOOK-IN  
 PF1010307-00 WINCH (SELF, 3TONX1, MANUAL)

1	マウント, ウインチ MOUNT, WINCH
2	オペ . ASSY, クラッチ OPE. ASSY, CLUTCH
3	パイピング, ウインチ PIPING, WINCH
4	オペ . ASSY, ソウサバルブ OPE. ASSY, CONT. VALVE
5	プレートASSY, ネーム (アクセル, クラッチ, SLウインチ) PLATE ASSY, NAME (ACC., CLUTCH, SL WINCH)
7	フック HOOK
8	パイピング, ロー PIPING, LOWER
9	バルブ, マニュアル コントロール VALVE, MANUAL CONTROL
10	プレートASSY, ネーム (SLウインチレバー, マニュアル) PLATE ASSY, NAME (SL WINCH LEVER, MANUAL)



**TM-ZR300 31014010170A FRAME/SL, MANUAL, HOOK-IN**

Pos No.	Parts No	Parts Name	Qty	Unit	Technical Dat
1	(*****)	MOUNT, WINCH (3T SELF)	1		
2	(*****)	OPE. ASSY, CLUTCH (SELF WINCH, MANUAL)	1		
3	(*****)	PIPING, WINCH (SELF, MANUAL)	1		
4	(*****)	OPE. ASSY, CONT. VALVE (SL WINCH, MANUAL)	1		
5	(*****)	PLATE ASSY. NAME (ACC., CLUTCH, SL WINCH)	1		
7	(*****)	HOOK (SELF, 3TONX1-PART LINE)	1		
8	(*****)	PIPING, LOWER (MAIN--R/J VALVE)	1		
9	36636090000	VALVE, MANUAL CONTROL (SL, 1-BLOCK)	1		
10	(*****)	PLATE ASSY, NAME (SL WINCH LEVER, MANUAL)	1		

www.AutoEPC.com

TM-ZR300 31014010170A FRAME/SL, MANUAL, HOOK-IN  
 PF1010316-00 WINCH (SELF, 4TONX1, MANUAL)

1	マウント, ウインチ MOUNT, WINCH
2	オペ . ASSY, クラッチ OPE. ASSY, CLUTCH
3	パイピング, ウインチ PIPING, WINCH
4	オペ . ASSY, ソウサバルブ OPE. ASSY, CONT. VALVE
5	プレートASSY, ネーム (アクセル, クラッチ, SLウインチ) PLATE ASSY, NAME (ACC., CLUTCH, SL WINCH)
7	フック HOOK
8	パイピング, ロー PIPING, LOWER
9	バルブ, マニュアル コントロール VALVE, MANUAL CONTROL
10	プレートASSY, ネーム (SLウインチレバー, マニュアル) PLATE ASSY, NAME (SL WINCH LEVER, MANUAL)

**TM-ZR300 31014010170A FRAME/SL,MANUAL,HOOK-IN**

Pos No.	Parts No	Parts Name	Qty	Unit	Technical Dat
1	(***** )	MOUNT,WINCH (4T SELF)	1		
2	(***** )	OPE.ASSY,CLUTCH (SELF WINCH,MANUAL)	1		
3	(***** )	PIPING,WINCH (SELF,MANUAL)	1		
4	(***** )	OPE.ASSY,CONT.VALVE (SL WINCH,MANUAL)	1		
5	(***** )	PLATE ASSY.NAME (ACC.,CLUTCH,SL WINCH)	1		
7	(***** )	HOOK (SELF, 4TONX1-PART LINE)	1		
8	(***** )	PIPING,LOWER (MAIN--R/J VALVE)	1		
9	36636090000	VALVE,MANUAL CONTROL (SL,1-BLOCK)	1		
10	(***** )	PLATE ASSY,NAME (SL WINCH LEVER,MANUAL)	1		

www.AutoEPC.com

TM-ZR300 31014010170A FRAME/SL, MANUAL, HOOK-IN  
 PF1010317-01 WINCH (SELF, 3TONX1, RADIO CONTROL)

指示番号 KEY NO.	ウインチ (セルフ, 3TONX1, ラジコン) WINCH (SELF, 3TONX1, RADIO CONTROL)
1	マウント, ウインチ MOUNT, WINCH
2	オペ . ASSY, クラッチ OPE. ASSY, CLUTCH
3	パイピング, ウインチ PIPING, WINCH
4	ハイセンASSY (SLウインチ) ELEC. ASSY (SL WINCH)
5	プレートASSY, ネーム (アクセル, クラッチ, SLウインチ) PLATE ASSY, NAME (ACC., CLUTCH, SL WINCH)
7	フック HOOK
10	オペ . ASSY, ソウサバルブ OPE. ASSY, CONT. VALVE
11	ラジオコントロール RADIO CONTROL
13	ハイセンASSY (クレーン) ELEC. ASSY (CRANE)
14	バルブ, リモートコントロール VALVE, REMOTE CONTROL
15	パイピング, ロー PIPING, LOWER

**TM-ZR300 31014010170A FRAME/SL, MANUAL, HOOK-IN**

Pos No.	Parts No	Parts Name	Qty	Unit	Technical Da
1	(*****)	MOUNT,WINCH (3T SELF)	1		
2	(*****)	OPE.ASSY,CLUTCH (SL WINCH,RADIO CONTROL)	1		
3	(*****)	PIPING,WINCH (3TON SELF,RADIO CONTROL)	1		
4	(*****)	ELEC.ASSY (KYOKUTO RADICON)	1		
	(*****)	ELEC.ASSY (SELF,S-RADIO CONTROL)	1		
5	(*****)	PLATE ASSY.NAME (ACC.,CLUTCH,SL WINCH)	1		
7	(*****)	HOOK (SELF, 3TONX1-PART LINE)	1		
10	(*****)	OPE.ASSY,CONT.VALVE (SL WINCH,RADICON)	1		
11	(*****)	RADIO CONTROL (KIT:MITSUMI)	1		
	36805770000	RADIO CONTROL (KYOKUTO:6CH)	1		
	36806520000	PARTS ASSY,RADIO CONTROLLER (8CH)	1		
13	(*****)	ELEC.ASSY (SELF WINCH,RADIO CONTROL)	1		
14	36647440000	VALVE,REMOTE CONTROL	1		
	36647440001	VALVE,REMOTE CONTROL	1		
15	(*****)	PIPING,LOWER (MAIN--R/J VALVE)	1		

www.AutoEPC.com

TM-ZR300 31014010170A FRAME/SL,MANUAL,HOOK-IN  
 PF1010318-01 WINCH (SELF,4TONX1, RADIO CONTROL)

指示番号 KEY NO.	ウインチ (セルフ,4TONX1,ラジ コン) WINCH (SELF,4TONX1,RADIO CONTROL)
1	マウント,ウインチ MOUNT,WINCH
2	オペ .ASSY,クラッチ OPE.ASSY,CLUTCH
3	パイピング,ウインチ PIPING,WINCH
4	ハイセンASSY (SLウインチ) ELEC.ASSY (SL WINCH)
5	プレートASSY,ネーム (アクセル,クラッチ,SLウインチ) PLATE ASSY,NAME (ACC.,CLUTCH,SL WINCH)
7	フック HOOK
10	オペ .ASSY,ソウサバルブ OPE.ASSY,CONT.VALVE
11	ラジオ コントロール RADIO CONTROL
13	ハイセンASSY (クレーン) ELEC.ASSY (CRANE)
14	バルブ,リモート コントロール VALVE,REMOTE CONTROL
15	パイピング,ローワ PIPING,LOWER

**TM-ZR300 31014010170A FRAME/SL, MANUAL, HOOK-IN**

Pos No.	Parts No	Parts Name	Qty	Unit	Technical Da
1	(*****)	MOUNT,WINCH (4T SELF)	1		
2	(*****)	OPE.ASSY,CLUTCH (SL WINCH,RADIO CONTROL)	1		
3	(*****)	PIPING,WINCH (4TON SELF,RADIO CONTROL)	1		
4	(*****)	ELEC.ASSY (SELF,S-RADIO CONTROL)	1		
	(*****)	ELEC.ASSY (KYOKUTO RADICON)	1		
5	(*****)	PLATE ASSY.NAME (ACC.,CLUTCH,SL WINCH)	1		
7	(*****)	HOOK (SELF, 4TONX1-PART LINE)	1		
10	(*****)	OPE.ASSY,CONT.VALVE (SL WINCH,RADICON)	1		
11	36805770000	RADIO CONTROL (KYOKUTO:6CH)	1		
	(*****)	RADIO CONTROL (KIT:MITSUMI)	1		
	36806520000	PARTS ASSY,RADIO CONTROLLER (8CH)	1		
13	(*****)	ELEC.ASSY (SELF WINCH,RADIO CONTROL)	1		
14	36647440000	VALVE,REMOTE CONTROL	1		
	36647440001	VALVE,REMOTE CONTROL	1		
15	(*****)	PIPING,LOWER (MAIN--R/J VALVE)	1		

www.AutoEPC.com

TM-ZR300 31014010170A FRAME/SL, MANUAL, HOOK-IN  
 PF1010319-00 WINCH (SELF, SP+3TON X1, MANUAL)

1	マウント, ウインチ MOUNT, WINCH
2	オペ . ASSY, クラッチ OPE. ASSY, CLUTCH
3	パイピング, ウインチ PIPING, WINCH
4	オペ . ASSY, ソウサバルブ OPE. ASSY, CONT. VALVE
5	プレートASSY, ネーム (アクセル, クラッチ, SLウインチ) PLATE ASSY, NAME (ACC., CLUTCH, SL WINCH)
7	フック HOOK
8	パイピング, ロー (メイン-R/Jバルブ) PIPING, LOWER (MAIN-R/J VALVE)
9	バルブ, マニュアル コントロール VALVE, MANUAL CONTROL
10	プレートASSY, ネーム (SLウインチレバー, マニュアル) PLATE ASSY, NAME (SL WINCH LEVER, MANUAL)
11	パイピング, ロー (メイン-オプションバルブ) PIPING, LOWER (MAIN-OPTION VALVE)
12	プレートASSY, ネーム (ユアツトリタシ) PLATE ASSY, NAME (POWER SUPPLY)



**TM-ZR300 31014010170A FRAME/SL, MANUAL, HOOK-IN**

Pos No.	Parts No	Parts Name	Qty	Unit	Technical Dat
1	(*****)	MOUNT,WINCH (3T SELF)	1		
2	(*****)	OPE.ASSY,CLUTCH (SELF WINCH,MANUAL)	1		
3	(*****)	PIPING,WINCH (SELF,MANUAL)	1		
4	(*****)	OPE.ASSY,CONT.VALVE	1		
5	(*****)	PLATE ASSY.NAME (ACC.,CLUTCH,SL WINCH)	1		
7	(*****)	HOOK (SELF, 3TONX1-PART LINE)	1		
8	(*****)	PIPING,LOWER (MAIN--R/J VALVE)	1		
9	3663610000	VALVE,MANUAL CONTROL (SL,2-BLOCK)	1		
10	(*****)	PLATE ASSY,NAME (SL WINCH LEVER,MANUAL)	1		
11	(*****)	PIPING,LOWER (MAIN--OPT.VALVE)	1		
12	(*****)	PLATE ASSY,NAME (POWER SUPPLY)	1		

www.AutoEPC.com

TM-ZR300 31014010170A FRAME/SL, MANUAL, HOOK-IN  
 PF1010321-00 WINCH (SELF, SP+4TON X1, MANUAL)

1	マウント, ウインチ MOUNT, WINCH
2	オペ . ASSY, クラッチ OPE. ASSY, CLUTCH
3	パイピング, ウインチ PIPING, WINCH
4	オペ . ASSY, ソウサバルブ OPE. ASSY, CONT. VALVE
5	プレートASSY, ネーム (アクセル, クラッチ, SLウインチ) PLATE ASSY, NAME (ACC., CLUTCH, SL WINCH)
7	フック HOOK
8	パイピング, ロー (メイン--R/J バルブ) PIPING, LOWER (MAIN--R/J VALVE)
9	バルブ, マニュアル コントロール VALVE, MANUAL CONTROL
10	プレートASSY, ネーム (SLウインチレバー, マニュアル) PLATE ASSY, NAME (SL WINCH LEVER, MANUAL)
11	パイピング, ロー (メイン--オプション バルブ) PIPING, LOWER (MAIN--OPTION VALVE)
12	プレートASSY, ネーム (ユアツトリタシ) PLATE ASSY, NAME (POWER SUPPLY)

**TM-ZR300 31014010170A FRAME/SL,MANUAL,HOOK-IN**

Pos No.	Parts No	Parts Name	Qty	Unit	Technical Dat
1	(*****)	MOUNT,WINCH (4T SELF)	1		
2	(*****)	OPE.ASSY,CLUTCH (SELF WINCH,MANUAL)	1		
3	(*****)	PIPING,WINCH (SELF,MANUAL)	1		
4	(*****)	OPE.ASSY,CONT.VALVE	1		
5	(*****)	PLATE ASSY.NAME (ACC.,CLUTCH,SL WINCH)	1		
7	(*****)	HOOK (SELF, 4TONX1-PART LINE)	1		
8	(*****)	PIPING,LOWER (MAIN--R/J VALVE)	1		
9	3663610000	VALVE,MANUAL CONTROL (SL,2-BLOCK)	1		
10	(*****)	PLATE ASSY,NAME (SL WINCH LEVER,MANUAL)	1		
11	(*****)	PIPING,LOWER (MAIN--OPT.VALVE)	1		
12	(*****)	PLATE ASSY,NAME (POWER SUPPLY)	1		

www.AutoEPC.com

TM-ZR300 31014010170A FRAME/SL,MANUAL,HOOK-IN  
 PF1010322-00 WINCH (SELF,3TONX1, F-RADIO CONTROL)

1	マウント,ウインチ MOUNT,WINCH
2	オペ .ASSY,クラッチ OPE.ASSY,CLUTCH
3	パイピング,ウインチ PIPING,WINCH
4	ハイセンASSY (SL ウインチ) ELEC.ASSY (SL WINCH)
5	プレートASSY,ネーム (アクセル,クラッチ,SLウインチ) PLATE ASSY,NAME (ACC.,CLUTCH,SL WINCH)
7	フック HOOK
10	オペ .ASSY,ソウサバルブ OPE.ASSY,CONT.VALVE
11	ハイセンASSY (クレーン) ELEC.ASSY (CRANE)
12	バルブ,リモート コントロール VALVE,REMOTE CONTROL
13	パイピング,ロー (メイン--R/J バルブ) PIPING,LOWER (MAIN--R/J VALVE)
14	パイピング,ロー (アクセルCYL.-1レンバルブ) PIPING,LOWER (ACCEL.CYL.-1 BLOCK VALVE)

**TM-ZR300 31014010170A FRAME/SL,MANUAL,HOOK-IN**

Pos No.	Parts No	Parts Name	Qty	Unit	Technical Da
1	(*****)	MOUNT,WINCH (3T SELF)	1		
2	(*****)	OPE.ASSY,CLUTCH (SL WINCH,RADIO CONTROL)	1		
3	(*****)	PIPING,WINCH (3TON SELF,RADIO CONTROL)	1		
4	(*****)	ELEC.ASSY (SL,F-RADIO CONTROL/SWITCH)	1		
5	(*****)	PLATE ASSY.NAME (ACC.,CLUTCH,SL WINCH)	1		
7	(*****)	HOOK (SELF, 3TONX1-PART LINE)	1		
10	(*****)	OPE.ASSY,CONT.VALVE (SELF,F-RADIO CONT.)	1		
11	(*****)	ELEC.ASSY	1		
	(*****)	ELEC.ASSY (SELF WINCH,F-RADIO CONTROL)	1		
12	36647440000	VALVE,REMOTE CONTROL	1		
	36647440001	VALVE,REMOTE CONTROL	1		
13	(*****)	PIPING,LOWER (MAIN--R/J VALVE)	1		
14	(*****)	PIPING,LOWER (ACCEL.CYL.-1 BLOCK VALVE)	1		

www.AutoEPC.com

TM-ZR300 31014010170A FRAME/SL, MANUAL, HOOK-IN  
 PF1010323-00 WINCH (SELF, 4TONX1, F-RADIO CONTROL)

1	マウント, ウインチ MOUNT, WINCH
2	オペ . ASSY, クラッチ OPE. ASSY, CLUTCH
3	パイピング, ウインチ PIPING, WINCH
4	ハイセンASSY (SL ウインチ) ELEC. ASSY (SL WINCH)
5	プレートASSY, ネーム (アクセル, クラッチ, SLウインチ) PLATE ASSY, NAME (ACC., CLUTCH, SL WINCH)
7	フック HOOK
10	オペ . ASSY, ソウサバルブ OPE. ASSY, CONT. VALVE
11	ハイセンASSY (クレーン) ELEC. ASSY (CRANE)
12	バルブ, リモート コントロール VALVE, REMOTE CONTROL
13	パイピング, ロー (メイン--R/J バルブ) PIPING, LOWER (MAIN--R/J VALVE)
14	パイピング, ロー (アクセルCYL.-1レンバルブ) PIPING, LOWER (ACCEL. CYL.-1 BLOCK VALVE)

**TM-ZR300 31014010170A FRAME/SL, MANUAL, HOOK-IN**

Pos No.	Parts No	Parts Name	Qty	Unit	Technical Da
1	(*****)	MOUNT,WINCH (4T SELF)	1		
2	(*****)	OPE.ASSY,CLUTCH (SL WINCH,RADIO CONTROL)	1		
3	(*****)	PIPING,WINCH (4TON SELF,RADIO CONTROL)	1		
4	(*****)	ELEC.ASSY (SL,F-RADIO CONTROL/SWITCH)	1		
5	(*****)	PLATE ASSY.NAME (ACC.,CLUTCH,SL WINCH)	1		
7	(*****)	HOOK (SELF, 4TONX1-PART LINE)	1		
10	(*****)	OPE.ASSY,CONT.VALVE (SELF,F-RADIO CONT.)	1		
11	(*****)	ELEC.ASSY	1		
12	36647440000	VALVE,REMOTE CONTROL	1		
	36647440001	VALVE,REMOTE CONTROL	1		
13	(*****)	PIPING,LOWER (MAIN--R/J VALVE)	1		
14	(*****)	PIPING,LOWER (ACCEL.CYL.-1 BLOCK VALVE)	1		
16	(*****)	ELEC.ASSY	1		

www.AutoEPC.com

TM-ZR300 31014010170A FRAME/SL, MANUAL, HOOK-IN  
 PF1010361-00 WINCH (DRUM FREE)

指示番号 KEY NO.	ウインチ (ドラムフリー) WINCH (DRUM FREE)
1	ウインチ WINCH
3	パイピング, ウインチ PIPING, WINCH
4	ハイセンASSY ELEC. ASSY
5	プレートASSY, ネーム (ドラムフリー) PLATE ASSY, NAME (DRUM FREE)
6	プレートASSY, ネーム (1-パートラインオペ.) PLATE ASSY, NAME (1-PART LINE OPE.)
7	ディテクタ, ディソータリ ウィンド DETECTOR, DISORDERLY WIND
8	ガイド, ロープ GUIDE, ROPE
9	ディテクタ, オーバ ウィンド DETECTOR, OVER WIND
10	フック HOOK

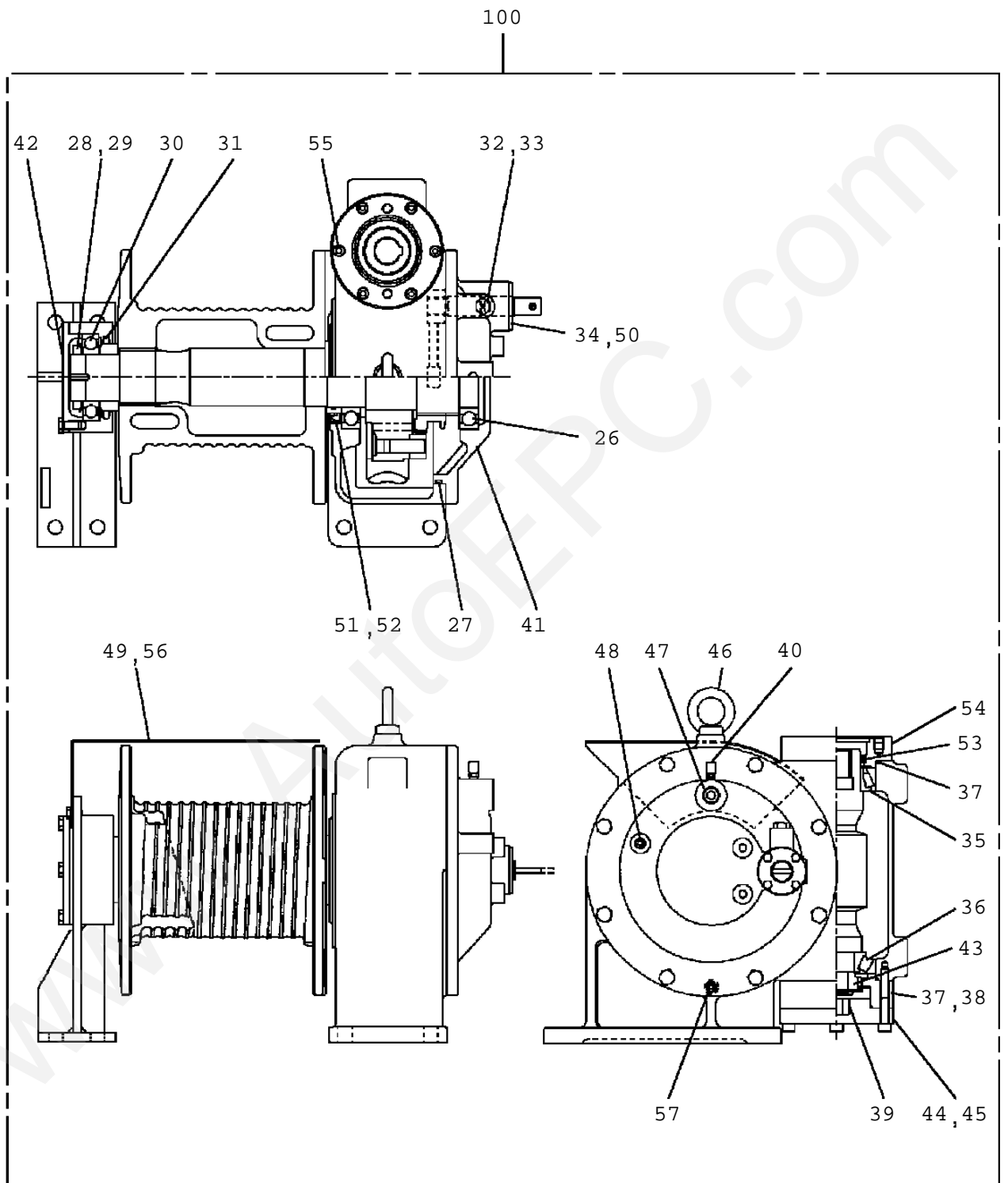


**TM-ZR300 31014010170A FRAME/SL, MANUAL, HOOK-IN**

Pos No.	Parts No	Parts Name	Qty	Unit	Technical Da
1	(***** )	WINCH (DRUM FREE,OPTION)	1		
3	(***** )	PIPING,WINCH (DRUM FREE,OPTION)	1		
4	(***** )	ELEC.ASSY (DRUM FREE)	1		
5	(***** )	PLATE ASSY,NAME (DRUM FREE)	1		
6	(***** )	PLATE ASSY,NAME (1-PART LINE OPE.)	1		
7	(***** )	DETECTOR,DISORDERLY WIND (DRUM FREE)	1		
8	(***** )	GUIDE,ROPE (RETAINING WIRE ROPE,1-PART)	1		
9	(***** )	DETECTOR,OVER WINDING (RETAINING WIRE RO	1		
10	36091920000	HOOK (DRUM FREE,OPTION)	1		

www.AutoEPC.com

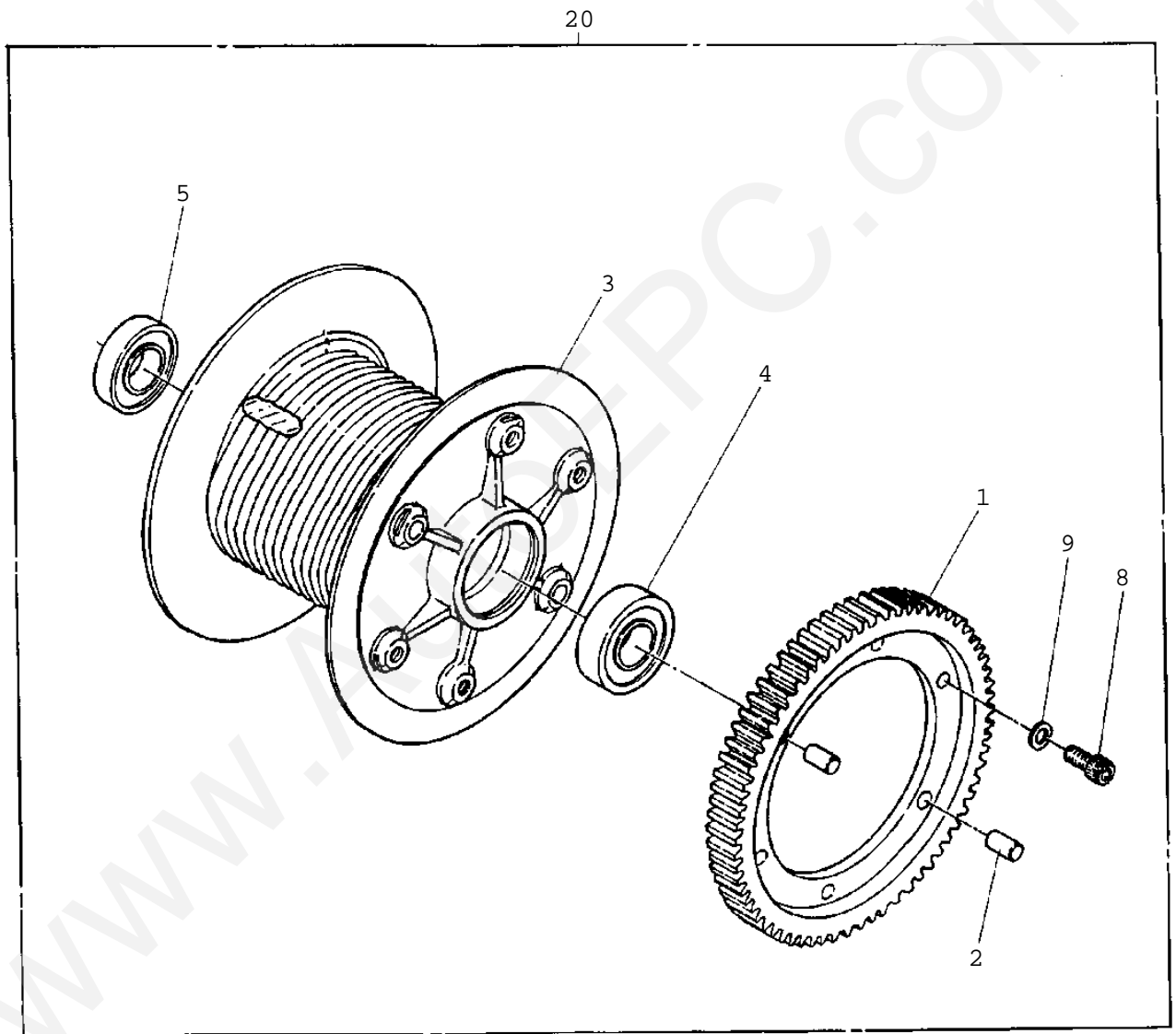
TM-ZR300 31014010170A FRAME/SL, MANUAL, HOOK-IN  
PF1010363-00 WINCH (SELF)



**TM-ZR300 31014010170A FRAME/SL, MANUAL, HOOK-IN**

Pos No.	Parts No	Parts Name	Qty	Unit	Technical Data	Serial No (Start)
26	80500006215	BEARING, BALL	2			
27	91002926000	O-RING	1		1B G260	
28	80561100120	NUT	1		AN12	
29	80562100120	WASHER, PLAIN	1		AW12	
30	80500006212	BEARING, BALL	1			
31	36072805020	SEAL, OIL	1			
32	36072805040	SPRING	1			
33	80560006000	BALL, STEEL	1		6	
34	36072805080	SEAL, OIL	1			
35	36072805050	BEARING	1			
36	36072805060	BEARING	1			
37	91002910000	O-RING	2		1B G100	
38	91002908500	O-RING	1		1B G85	
39	36072805070	SPRING	1			
40	50737400030	BREATHER, AIR	1			
41	90101212025	BOLT	8		M12X25	
42	90101210020	BOLT	4		M10X20	
43	80601110300	RING, RITAINING	1		S30	
44	90172110070	BOLT, HEXAGON SOCKET	4		M10X70	
45	90172110040	BOLT, HEXAGON SOCKET	4		M10X40	
46	90151200160	BOLT, EYE	1		M16	
47	80316030080	PLUG	1		PT1/2	
48	80316030040	PLUG	2		PT1/4	
49	90101208015	BOLT	2		M8X15	
50	90101206015	BOLT	4		M6X15	
51	91002907500	O-RING	1		1B G75	
52	36072805030	SEAL, OIL	1			
53	91206060001	SEAL, OIL	1			
55	90172208030	BOLT, HEXAGON SOCKET	6			
56	90302040801	WASHER, SPRING	2		8	
57	91002801400	O-RING	1		1B P14	
100	36072800000	WINCH (SELF)	1			

TM-ZR300 31014010170A FRAME/SL, MANUAL, HOOK-IN  
PF1020004-01 DRUM, WINCH



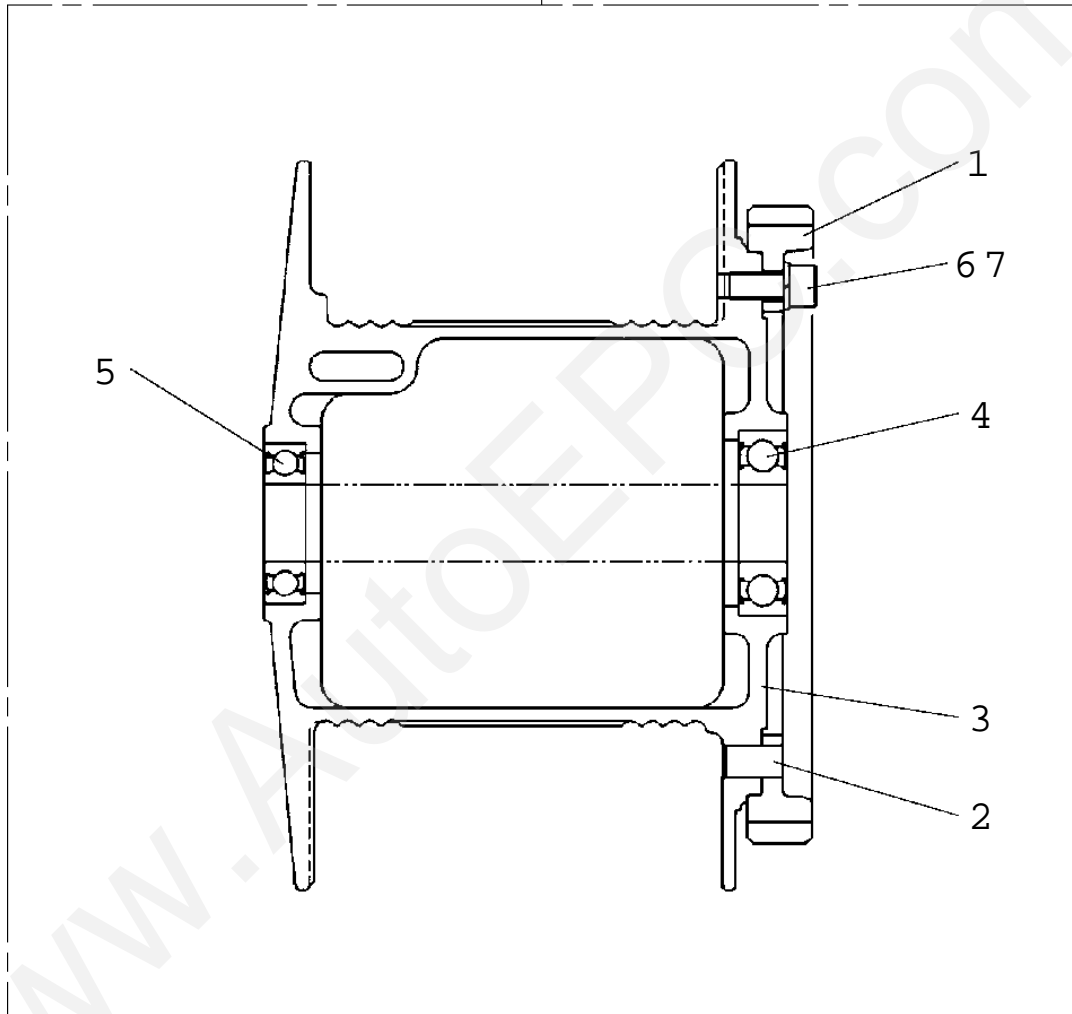
**TM-ZR300 31014010170A FRAME/SL, MANUAL, HOOK-IN**

Pos No.	Parts No	Parts Name	Qty	Unit	Technical Data	Serial No (Start)
1	31310237510	GEAR, SPUR	1			
2	31310005010	PIN	2			
3	31310617510	DRUM	1			
4	80516006306	BEARING, BALL	1			
5	80516006206	BEARING, BALL	1			
8	31310617520	BOLT, HEXAGON SOCKET	4		M10X25	
9	90302041001	WASHER, SPRING	4		10	
20	31310610100	DRUM, WINCH	1			

www.AutoEPC.com

TM-ZR300 31014010170A FRAME/SL, MANUAL, HOOK-IN  
PF1020035-00 DRUM, WINCH

100

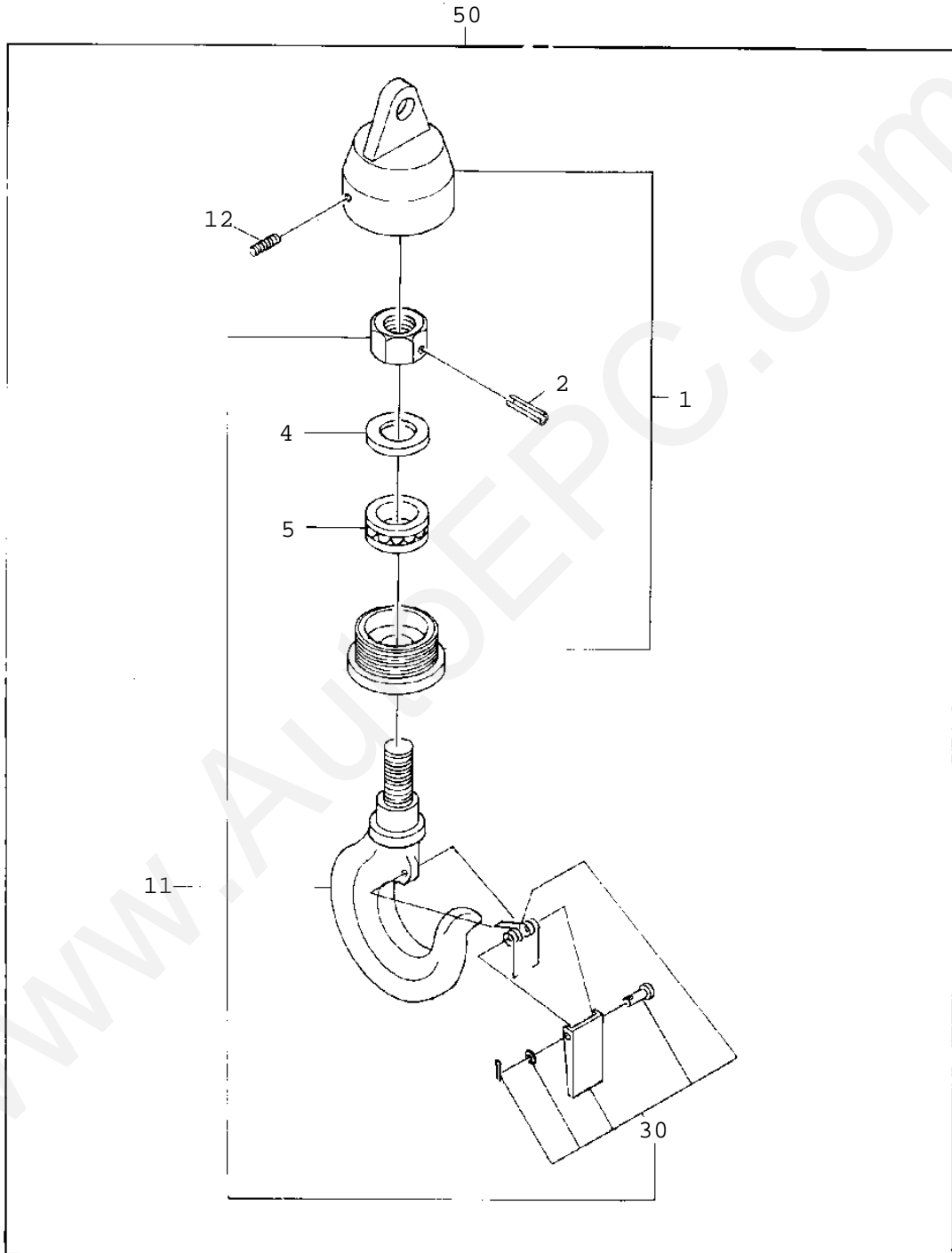


**TM-ZR300 31014010170A FRAME/SL, MANUAL, HOOK-IN**

Pos No.	Parts No	Parts Name	Qty	Unit	Technical Data	Serial No (Start)
1	31310617530	GEAR, SPUR	1			
2	31310617540	PIN	2			
3	31310617550	DRUM	1			
4	80516006306	BEARING, BALL	1			
5	80516006206	BEARING, BALL	1			
6	90172410025	BOLT, HEXAGON SOCKET	4		M10X25	
7	90302041001	WASHER, SPRING	4		10	
100	31310610300	DRUM, WINCH	1			

www.AutoEPC.com

TM-ZR300 31014010170A FRAME/SL, MANUAL, HOOK-IN  
PF1050063-01 HOOK (DRUM FREE, OPTION)



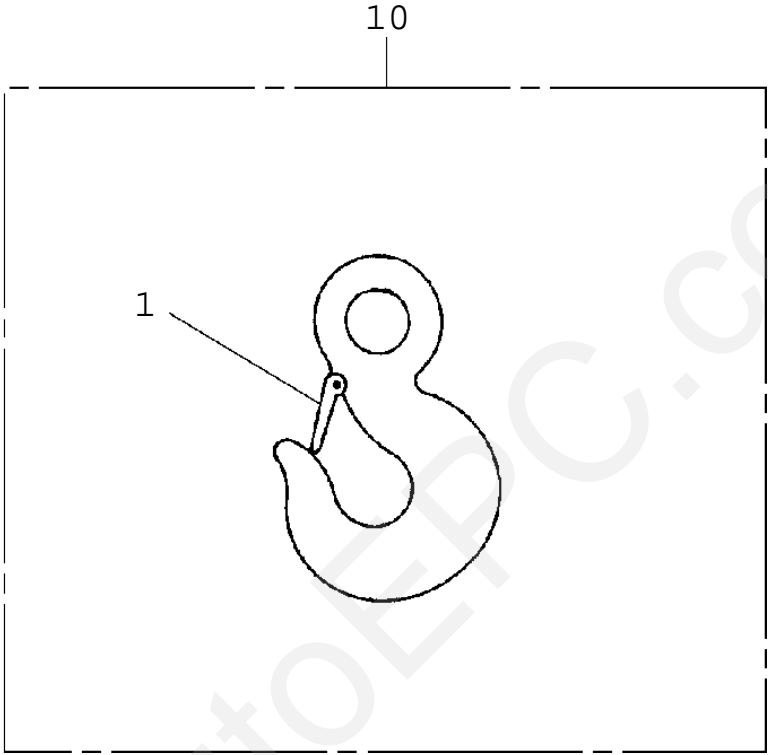


**TM-ZR300 31014010170A FRAME/SL,MANUAL,HOOK-IN**

Pos No.	Parts No	Parts Name	Qty	Unit	Technical Data	Serial No (Star
1	36091929520	BODY ASSY	1			
2	80720104028	PIN,SPRING	1		4X28	
4	90303071801	WASHER,PLAIN	1		18	
5	12231505000	BEARING,PLAIN	1			
11	36091929510	HOOK ASSY	1			
12	90710008160	SCREW,SET	1		M8X16	
30	36094049510	STOPPER ASSY	1			
50	36091920000	HOOK (DRUM FREE,OPTION)	1			

www.AutoEPC.com

TM-ZR300 31014010170A FRAME/SL, MANUAL, HOOK-IN  
PF1050126-01 HOOK



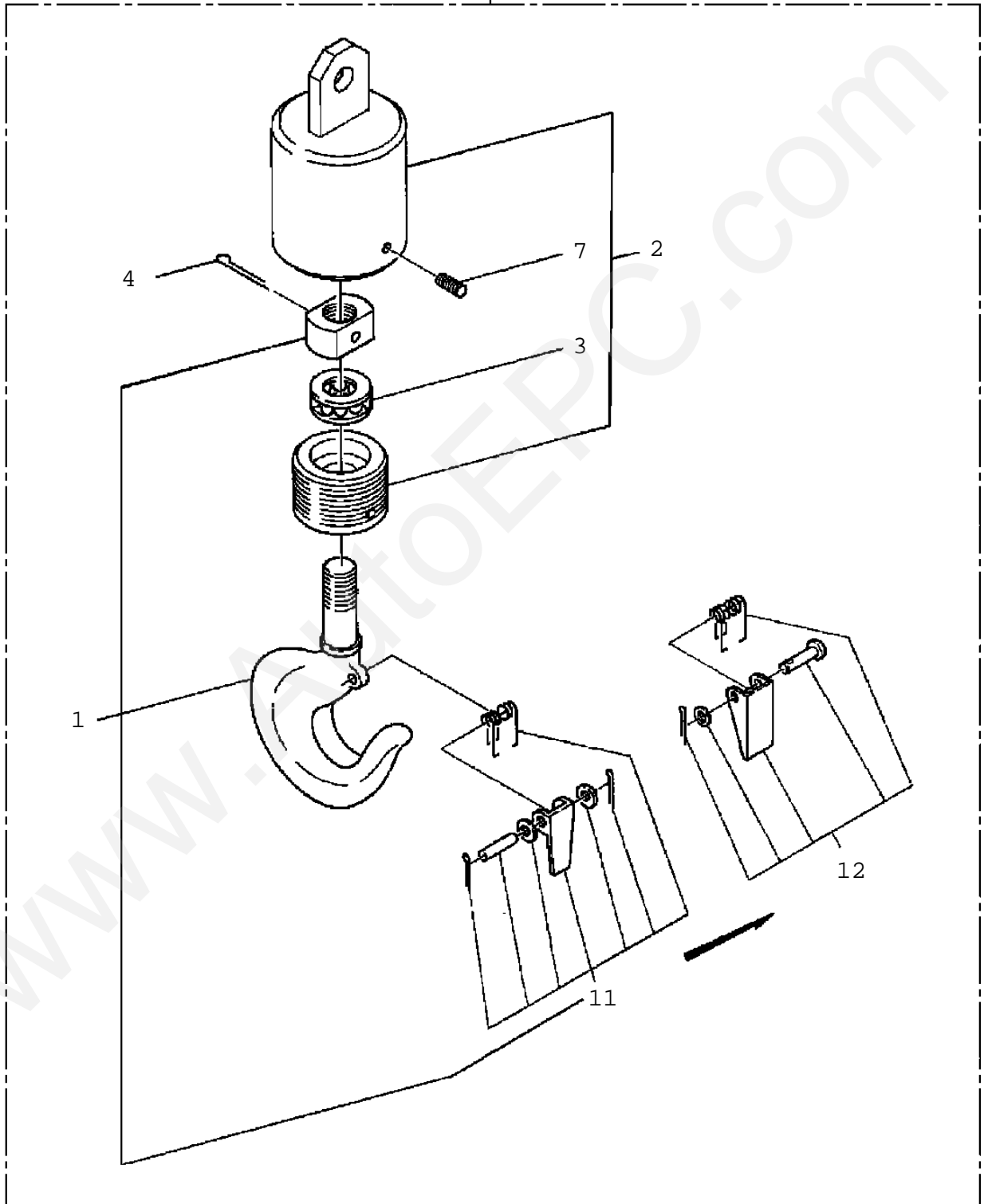
**TM-ZR300 31014010170A FRAME/SL,MANUAL,HOOK-IN**

Pos No.	Parts No	Parts Name	Qty	Unit	Technical Data	Serial No (Start)	Serial :
1	53037260010	STOPPER ASSY	1				
10	53037260000	HOOK	1				

www.AutoEPC.com

TM-ZR300 31014010170A FRAME/SL, MANUAL, HOOK-IN  
PF1050161-03 HOOK (1-PART LINE ,OPTION)

20

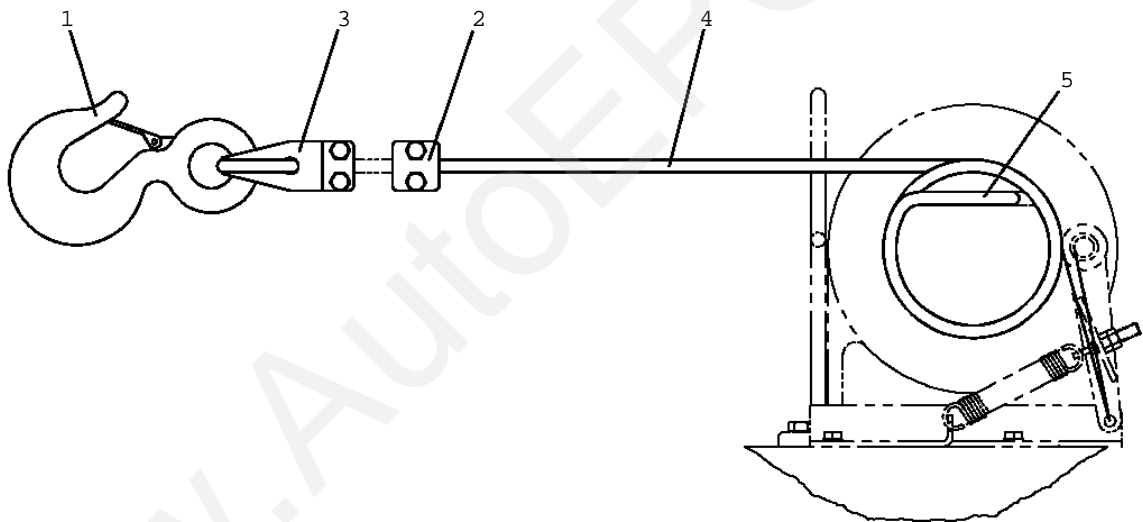


**TM-ZR300 31014010170A FRAME/SL,MANUAL,HOOK-IN**

Pos No.	Parts No	Parts Name	Qty	Unit	Technical Data	Serial No (S
1	14211695513	HOOK ASSY	1			
2	36090239510	BODY ASSY	1			
3	80500051205	BEARING,BALL	1			
4	80136350060	PIN,SPLIT	1		5X60	
7	90710008200	SCREW,SET	1		M8X20	
12	36094049510	STOPPER ASSY	1			
20	36090230000	HOOK (1-PART LINE ,OPTION)	1			

www.AutoEPC.com

TM-ZR300 31014010170A FRAME/SL, MANUAL, HOOK-IN  
PF1050337-00 HOOK (SELF, 4TONX1-PART LINE)

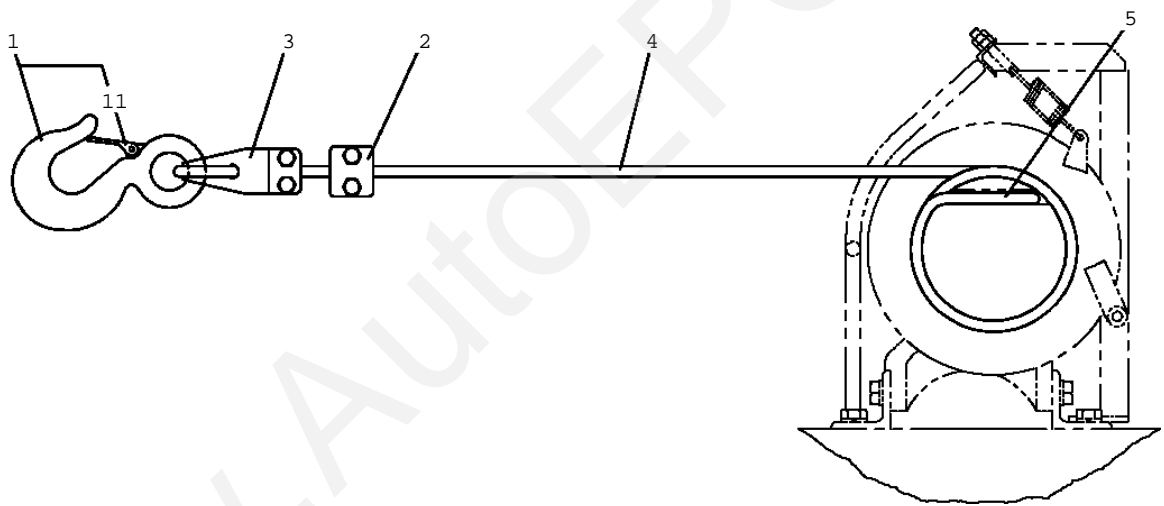


**TM-ZR300 31014010170A FRAME/SL, MANUAL, HOOK-IN**

Pos No.	Parts No	Parts Name	Qty	Unit	Technical Data	Serial No (Start)	Serial No
1	53037260000	HOOK	1				
2	83151211401	CLIP	1				
3	83151111401	CLIP	1				
4	37001806200	ROPE, WIRE	1		14X30M		
5	37002600230	WEDGE	1		14		

www.AutoEPC.com

TM-ZR300 31014010170A FRAME/SL, MANUAL, HOOK-IN  
PF1050338-01 HOOK (SELF, 3TONX1-PART LINE)



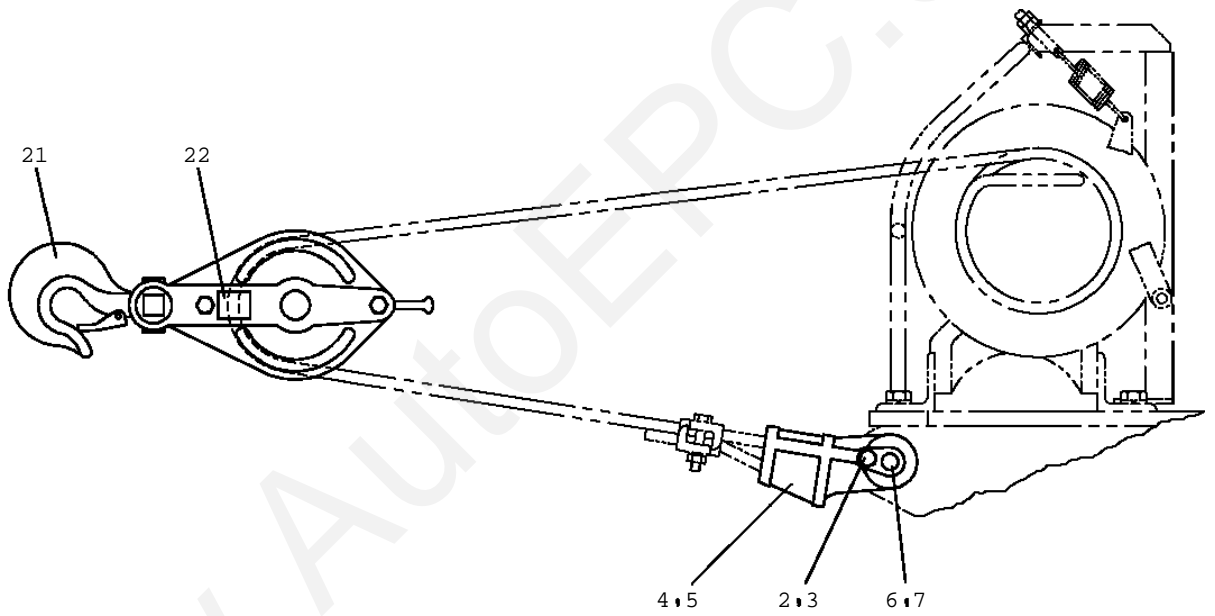


**TM-ZR300 31014010170A FRAME/SL,MANUAL,HOOK-IN**

Pos No.	Parts No	Parts Name	Qty	Unit	Technical Data	Serial
1	36090610000	HOOK (WITH STOPPER)	1			
2	83151211201	CLIP	1			
3	83151111201	CLIP	1			
4	37001806210	ROPE,WIRE	1		12X27M	
5	37002600220	WEDGE	1		12.5	
11	36090615010	STOPPER ASSY (WITH SPRING & PIN)	1			

www.AutoEPC.com

TM-ZR300 31014010170A FRAME/SL, MANUAL, HOOK-IN  
PF1050342-01 HOOK (SELF, 3TONX2-PART LINE)



**TM-ZR300 31014010170A FRAME/SL,MANUAL,HOOK-IN**

Pos No.	Parts No	Parts Name	Qty	Unit	Technical Data	Serial No (Start)	Serial
2	90171110014	BOLT	1		M10X14		
3	90302041001	WASHER,SPRING	1		10		
4	37002600480	SOCKET,ROPE	1		12.5		
5	37002600220	WEDGE	1		12.5		
6	37000124510	PIN	1				
7	80136363040	PIN,SPLIT	1		6.3X40		
21	36090710000	HOOK (5TON)	1				
22	31478211100	PLATE,NAME	1				

www.AutoEPC.com

TM-ZR300 31014010170A FRAME/SL,MANUAL,HOOK-IN  
PF1050447-00 HOOK

1	フック HOOK
2	プレートASSY,ネーム PLATE ASSY,NAME

**TM-ZR300 31014010170A FRAME/SL,MANUAL,HOOK-IN**

Pos No.	Parts No	Parts Name	Qty	Unit	Technical Data	Serial No
1	36090230000	HOOK (1-PART LINE ,OPTION)	1			
2	(***** *****)	PLATE ASSY,NAME (HOOK)	1			

www.AutoEPC.com

TM-ZR300 31014010170A FRAME/SL,MANUAL,HOOK-IN  
PF1050464-00 HOOK (1-PART LINE)

i1	フック HOOK
i2	プレートASSY,ネーム PLATE ASSY,NAME
i3	ディテクタ,オーバ ワインド DETECTOR,OVER WIND

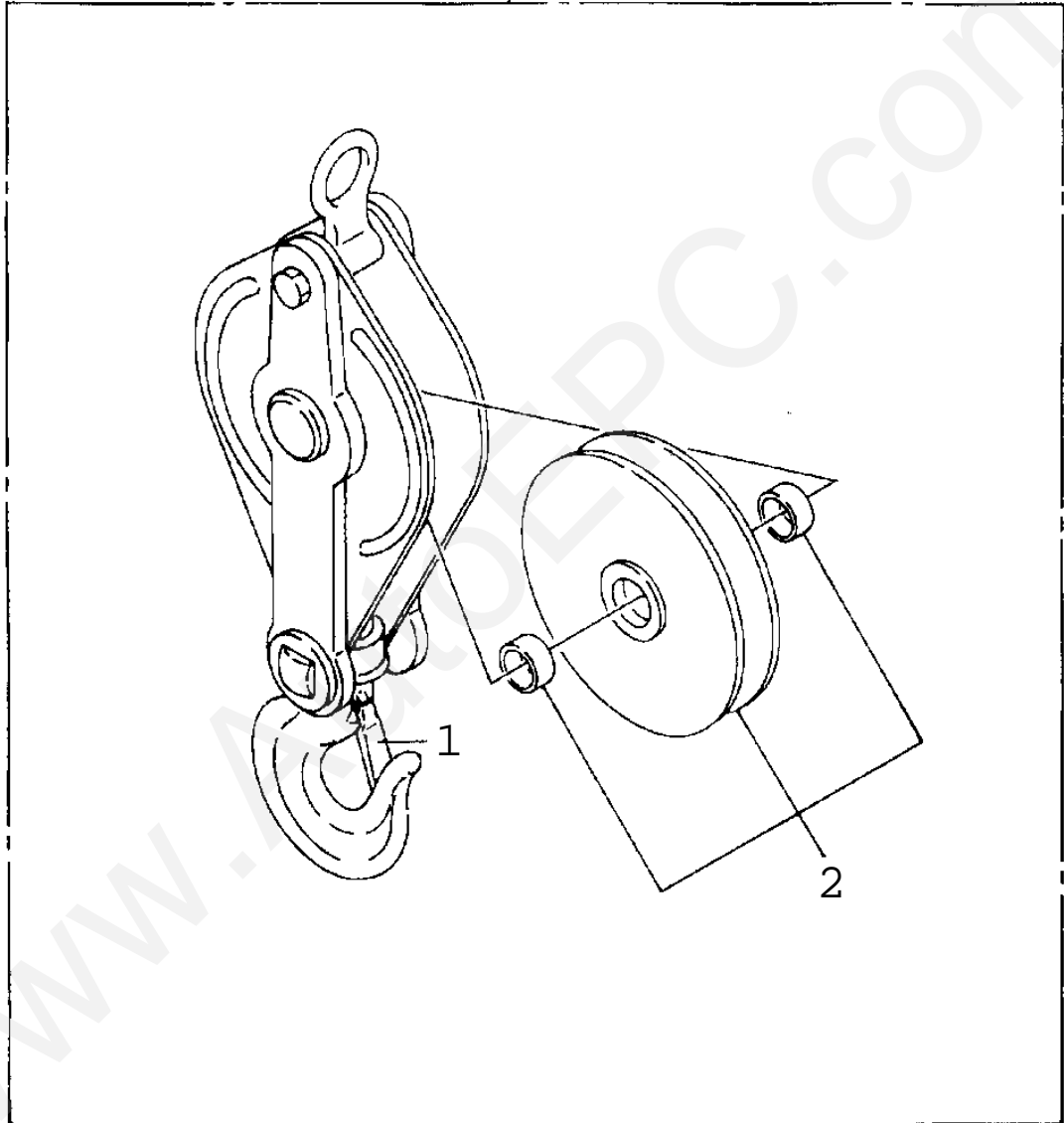
**TM-ZR300 31014010170A FRAME/SL,MANUAL,HOOK-IN**

Pos No.	Parts No	Parts Name	Qty	Unit	Technical Data	Se
1	(***** )	HOOK	1			
2	(***** )	PLATE ASSY,NAME (1-PART LINE OPE.)	1			
3	(***** )	DETECTOR,OVER WINDING	1			

www.AutoEPC.com

TM-ZR300 31014010170A FRAME/SL, MANUAL, HOOK-IN  
PF1050540-02 HOOK (5TON)

10



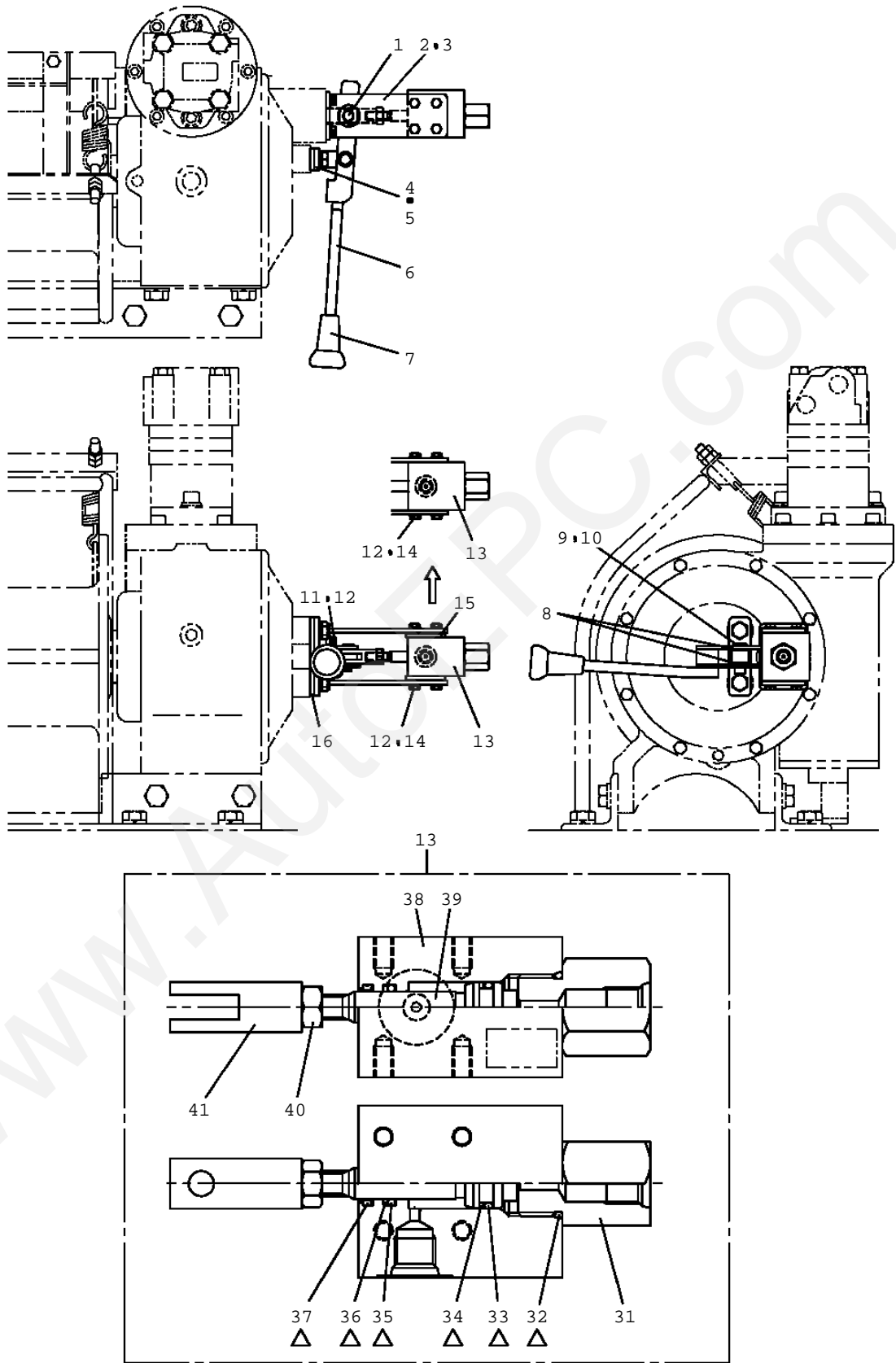


**TM-ZR300 31014010170A FRAME/SL,MANUAL,HOOK-IN**

Pos No.	Parts No	Parts Name	Qty	Unit	Technical Data	Serial No (Start)	Serial :
1	36090715020	STOPPER ASSY	1				
2	36090715010	SHEAVE ASSY	1				
10	36090710000	HOOK (5TON)	1				

www.AutoEPC.com

TM-ZR300 31014010170A FRAME/SL, MANUAL, HOOK-IN  
 PF1160066-02 OPE.ASSY, CLUTCH (SL WINCH, RADIO CONTROL)

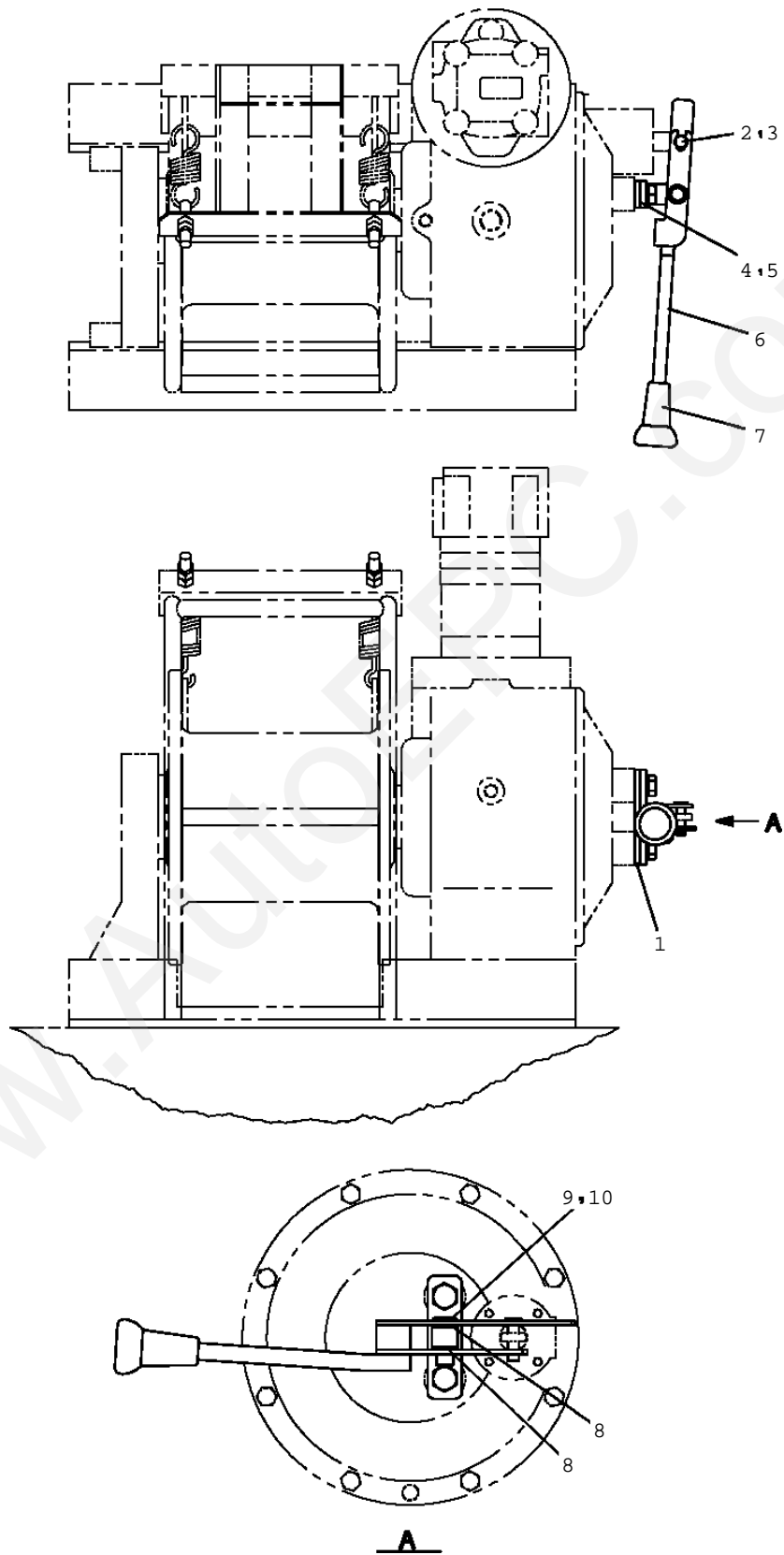


Δ:PACKING SET KEY NO. 50 (KEY NO. 32, 33, 34, 35, 36, 37)

**TM-ZR300 31014010170A FRAME/SL, MANUAL, HOOK-IN**

Pos No.	Parts No	Parts Name	Qty	Unit	Technical Data	Serial No (Start)
1	31331420100	SUPPORT	1			
2	37000107210	PIN	1			
3	80620210080	PIN, SNAP	1			
4	90186210020	BOLT, FLANGE	2		M10X20	
5	31331420200	SUPPORT	1			
6	31331420300	LEVER	1			
7	31323330100	KNOB (BLACK)	1			
8	31322224200	PLATE	2		L=1	
9	37000105750	PIN	1			
10	80136332020	PIN, SPLIT	1		3.2X20	
11	90172106020	BOLT, HEXAGON SOCKET	4		M6X20	
12	90302040601	WASHER, SPRING	12		6	
13	36052750000	CYLINDER ASSY	1			
14	90171106020	BOLT	8		M6X20	
15	37000575940	PLATE	2			
16	37000575690	PLATE	1			
31	37000928340	JOINT	1			
32	91002801800	O-RING	1		1B P18	
33	91002801200	O-RING	1		1B P12	
34	91411001200	RING, BACKUP	1		P12	
35	91002801000	O-RING	1		1B P10	
36	91411001000	RING, BACKUP	1		TIP10A	
37	91650001000	SEAL, DUST	1			
38	36052751000	CYLINDER	1			
39	36052752000	ROD	1			
40	90210200800	NUT	1		M8	
41	37005400270	END	1			
50	36052759900	PACKING SET	1		10X16	

TM-ZR300 31014010170A FRAME/SL, MANUAL, HOOK-IN  
PF1160067-00 OPE.ASSY, CLUTCH (SELF WINCH, MANUAL)

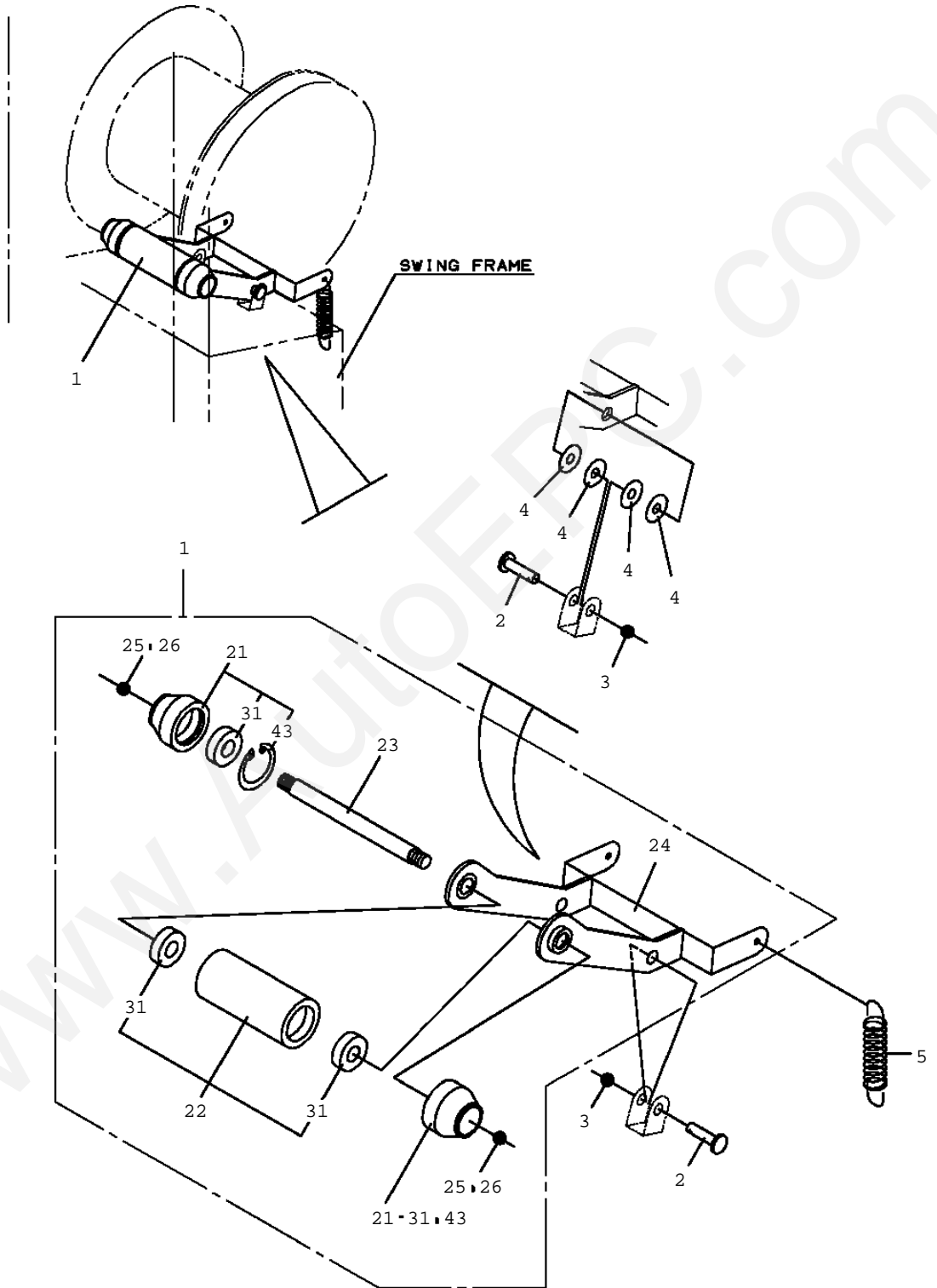


**TM-ZR300 31014010170A FRAME/SL,MANUAL,HOOK-IN**

Pos No.	Parts No	Parts Name	Qty	Unit	Technical Data	Serial No (Start)	Serial :
1	37000575690	PLATE	1				
2	37000107210	PIN	1				
3	80620210080	PIN,SNAP	1				
4	90186210020	BOLT,FLANGE	2		M10X20		
5	31331420200	SUPPORT	1				
6	31331420300	LEVER	1				
7	31323330100	KNOB (BLACK)	1				
8	31322224200	PLATE	2		L=1		
9	37000105750	PIN	1				
10	80136332020	PIN,SPLIT	1		3.2X20		

www.AutoEPC.com

TM-ZR300 31014010170A FRAME/SL, MANUAL, HOOK-IN  
PF1180062-01 DETECTOR, DISORDERLY WIND (DRUM FREE)

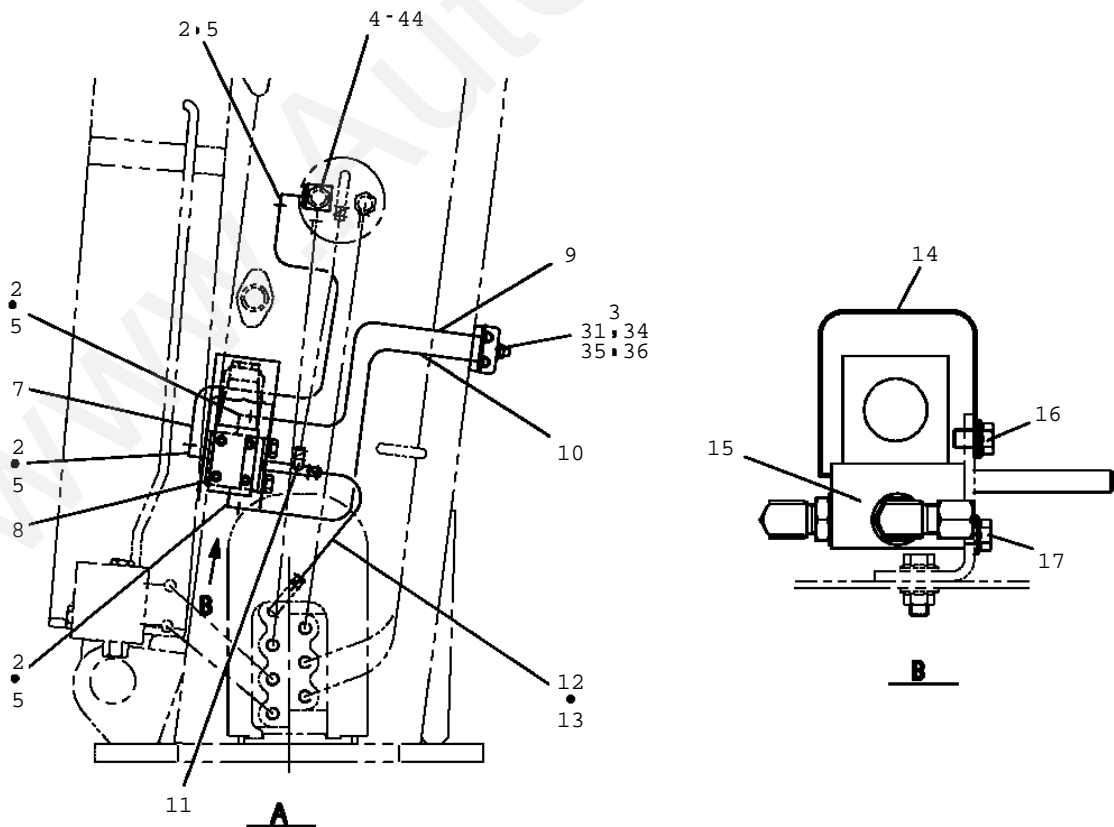
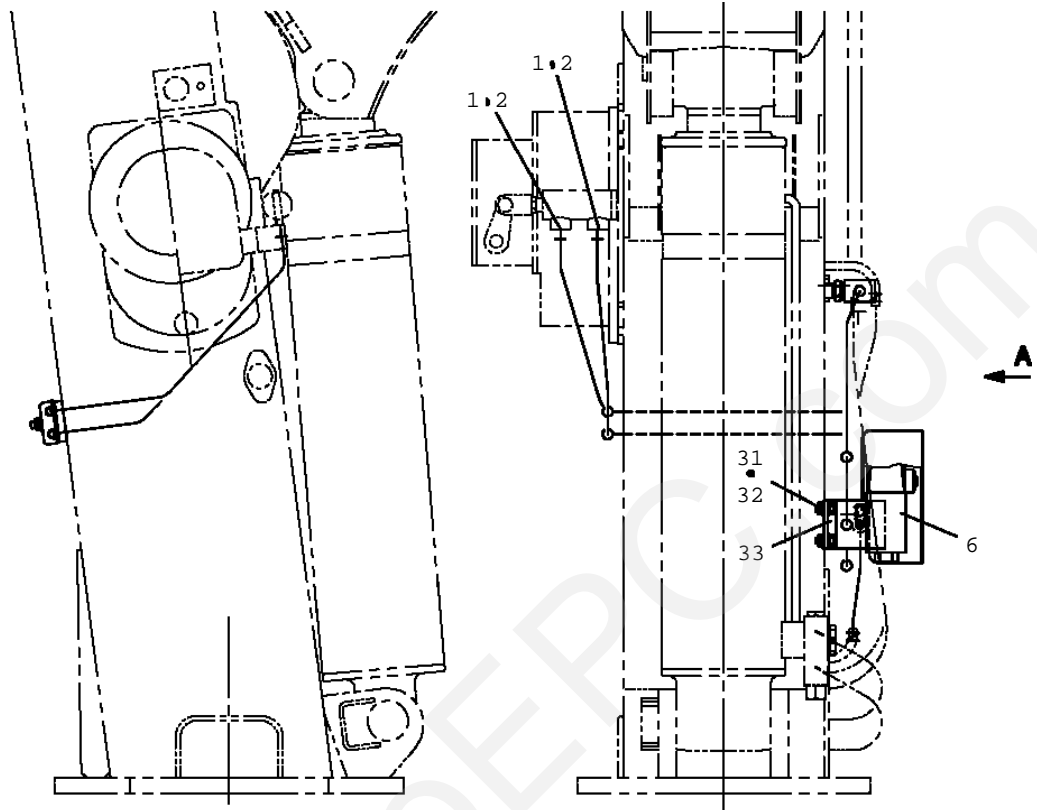


**TM-ZR300 31014010170A FRAME/SL,MANUAL,HOOK-IN**

Pos No.	Parts No	Parts Name	Qty	Unit	Technical Data	Serial No (Start)	Serial No (End)
1	31440220100	ROLLER ASSY	1				
2	37000105740	PIN	2				
3	80136332020	PIN,SPLIT	2		3.2X20		
4	90303071001	WASHER,PLAIN	4		10		
5	37001300000	SPRING	2				
21	37001107470	ROLLER ASSY	2				
22	37001107690	ROLLER ASSY	1				
23	31440220300	PIN	1				
24	31440220150	SUPPORT	1				
25	31440150350	WASHER,PLAIN	2				
26	90286001007	NUT	2		M10 P=1.25		
31	80516006001	BEARING,BALL	4				
43	80602110280	RING,RITAINING	2		R28		

www.AutoEPC.com

TM-ZR300 31014010170A FRAME/SL, MANUAL, HOOK-IN  
PF1200274-00 PIPING, WINCH (DRUM FREE, OPTION)



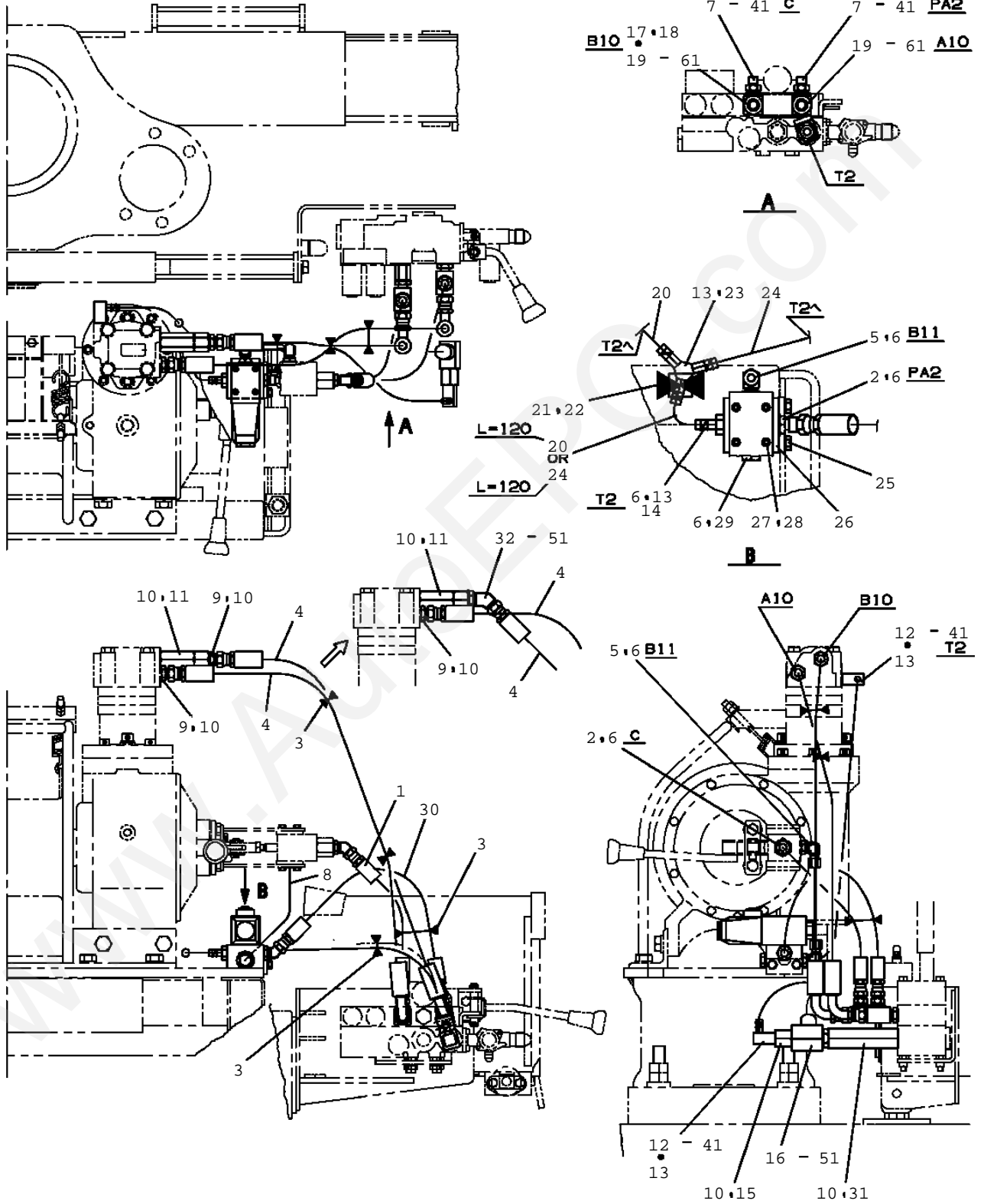


**TM-ZR300 31014010170A FRAME/SL, MANUAL, HOOK-IN**

Pos No.	Parts No	Parts Name	Qty	Unit	Technical Data	Serial No (Start)
1	80302120040	FITTING	2		POA08PF1/4	
2	91002801100	O-RING	6		1B P11	
3	37000312580	SLEEVE	2			
4	37000924420	JOINT	1			
5	80303210040	FITTING, ELBOW	4			
6	36642760000	VALVE, SOLENOID	1			
7	81408000081	PIPE, STEEL	1	M	8X1.2T	
8	90131505045	BOLT, HEXAGON SOCKET	4		M5X45	
9	81408000081	PIPE, STEEL	1	M	8X1.2T	
10	81408000081	PIPE, STEEL	1	M	8X1.2T	
11	31473743200	JOINT	1			
12	37002511730	HOSE	1		L=225	
13	91803600200	CLIP	2		D=13-20	
14	31473743300	COVER	1			
15	31473743100	JOINT	1			
16	90186208010	BOLT, FLANGE	2		M8X10	
17	90186208014	BOLT, FLANGE	2		M8X14	
44	91002801400	O-RING	1		1B P14	

www.AutoEPC.com

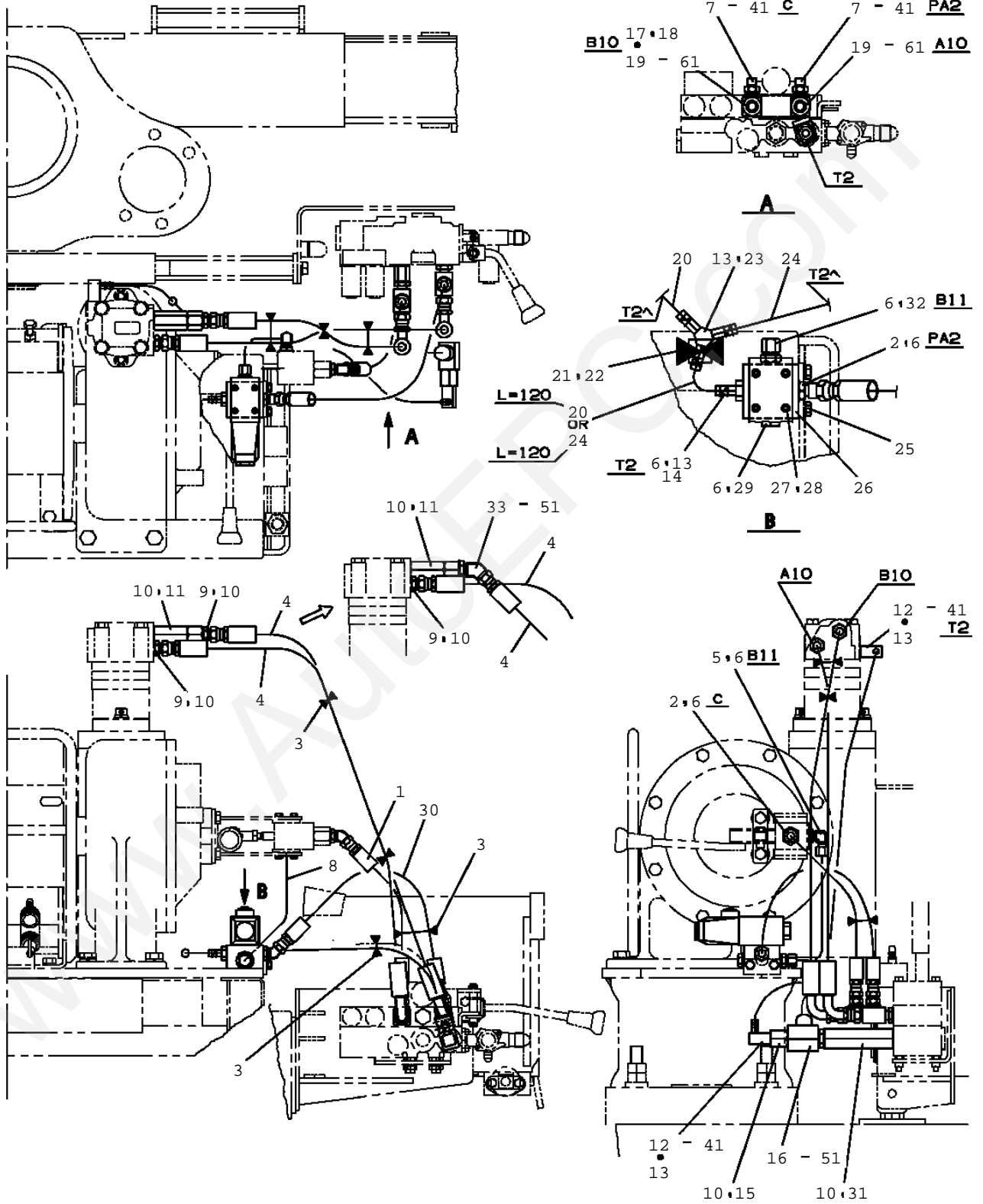
TM-ZR300 31014010170A FRAME/SL, MANUAL, HOOK-IN  
 PF1200304-02 PIPING, WINCH (3TON SELF, RADIO CONTROL)



**TM-ZR300 31014010170A FRAME/SL, MANUAL, HOOK-IN**

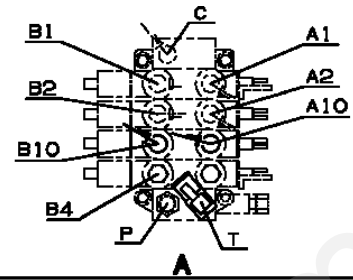
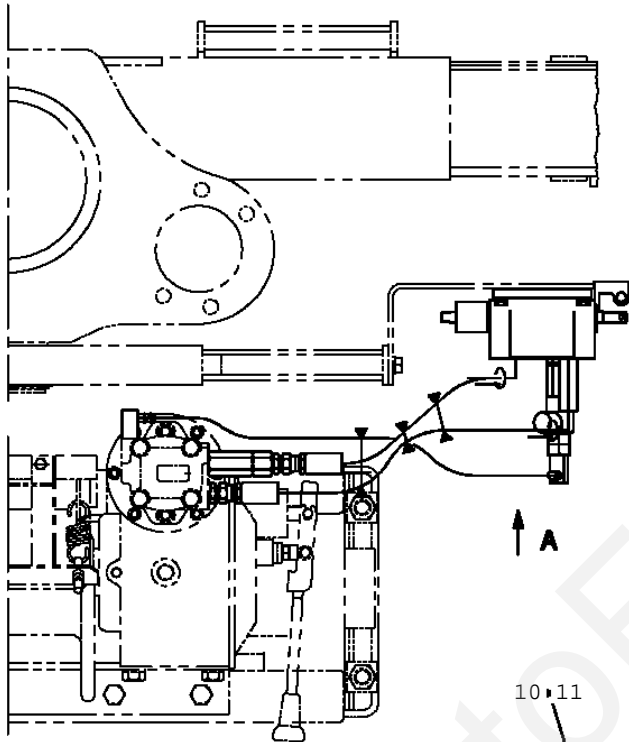
Pos No.	Parts No	Parts Name	Qty	Unit	Technical Data	Serial No (Start)
1	37002468680	HOSE	1		L=360	
2	80471020502	JOINT	2			
3	91810132530	FASTENER	7			
4	37002443100	HOSE	2		L=1000	
5	80303210040	FITTING, ELBOW	2			
6	91002801100	O-RING	6		1B P11	
7	80491002020	JOINT (WITH O-RING)	2			
8	31645690100	PIPE	1			
9	80400160130	JOINT	1		S, G1/2-G3/8	
10	91002801800	O-RING	4		1B P18	
11	36625150000	VALVE, CHECK	1			
12	80400160190	JOINT (WITH O-RING)	2			
13	91803880070	CLIP	6		D=13.1-16.2	
14	31644591300	JOINT	1			
15	37000923950	JOINT	1			
16	80400160205	JOINT (WITH O-RING)	1			
17	37000925680	JOINT	1		S, G3/8-G3/8	
18	91002801400	O-RING	1		1B P14	
19	80400160180	JOINT (WITH O-RING)	2			
20	37002510120	HOSE	1		L=1200	
21	91810130240	FASTENER	1			
22	91850310405	CLAMP (BLACK)	1			
23	37000805050	JOINT	1			
24	37002500780	HOSE	1		L=700	
25	90186208020	BOLT, FLANGE	2		M8X20	
26	31645691000	JOINT	1			
27	36645920000	VALVE, SOLENOID	1			
28	90172105045	BOLT, HEXAGON SOCKET	4		M5X45	
29	80316070040	PLUG	1		PF1/4	
30	37002464540	HOSE	1		L=600	
31	37000925800	JOINT	1		S, G1/2	
32	80481404030	JOINT (WITH O-RING)	1		G1/2-F3/8	
41	91002801100	O-RING	4		1B P11	
51	91002801800	O-RING	2		1B P18	
61	91002801400	O-RING	2		1B P14	

TM-ZR300 31014010170A FRAME/SL, MANUAL, HOOK-IN  
 PF1200305-02 PIPING, WINCH (4TON SELF, RADIO CONTROL)

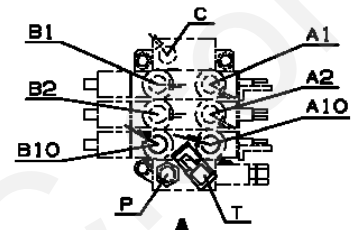


**TM-ZR300 31014010170A FRAME/SL, MANUAL, HOOK-IN**

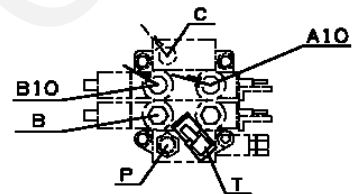
Pos No.	Parts No	Parts Name	Qty	Unit	Technical Data	Serial No (Start)
1	37002468680	HOSE	1		L=360	
2	80471020502	JOINT	2			
3	91810132530	FASTENER	7			
4	37002443100	HOSE	2		L=1000	
5	80303210040	FITTING, ELBOW	1			
6	91002801100	O-RING	6		1B P11	
7	80491002020	JOINT (WITH O-RING)	2			
8	31645810100	PIPE	1			
9	80400160130	JOINT	1		S, G1/2-G3/8	
10	91002801800	O-RING	4		1B P18	
11	36625150000	VALVE, CHECK	1			
12	80400160190	JOINT (WITH O-RING)	2			
13	91803880070	CLIP	6		D=13.1-16.2	
14	31644591300	JOINT	1			
15	37000923950	JOINT	1			
16	80400160205	JOINT (WITH O-RING)	1			
17	37000925680	JOINT	1		S, G3/8-G3/8	
18	91002801400	O-RING	1		1B P14	
19	80400160180	JOINT (WITH O-RING)	2			
20	37002510120	HOSE	1		L=1200	
21	91810130240	FASTENER	1			
22	91850310405	CLAMP (BLACK)	1			
23	37000805050	JOINT	1			
24	37002500780	HOSE	1		L=700	
25	90186208020	BOLT, FLANGE	2		M8X20	
26	31645691000	JOINT	1			
27	36645920000	VALVE, SOLENOID	1			
28	90172105045	BOLT, HEXAGON SOCKET	4		M5X45	
29	80316070040	PLUG	1		PF1/4	
30	37002464540	HOSE	1		L=600	
31	37000925800	JOINT	1		S, G1/2	
32	80302120040	FITTING	1		POA08PF1/4	
33	80481404030	JOINT (WITH O-RING)	1		G1/2-F3/8	
41	91002801100	O-RING	4		1B P11	
51	91002801800	O-RING	2		1B P18	
61	91002801400	O-RING	2		1B P14	



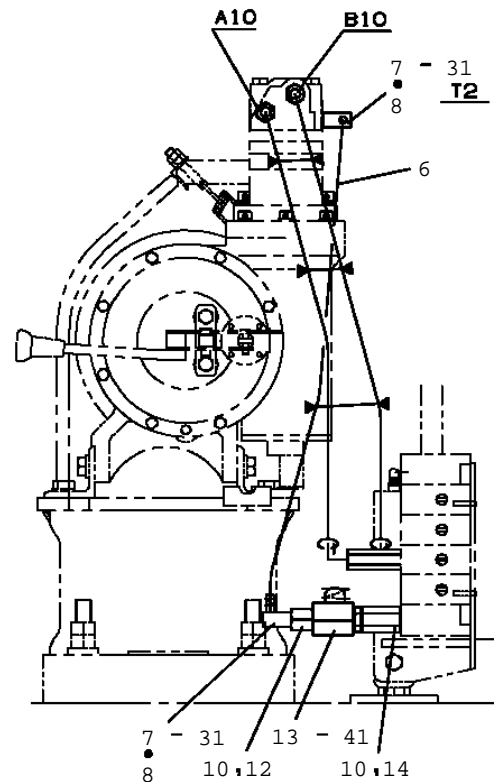
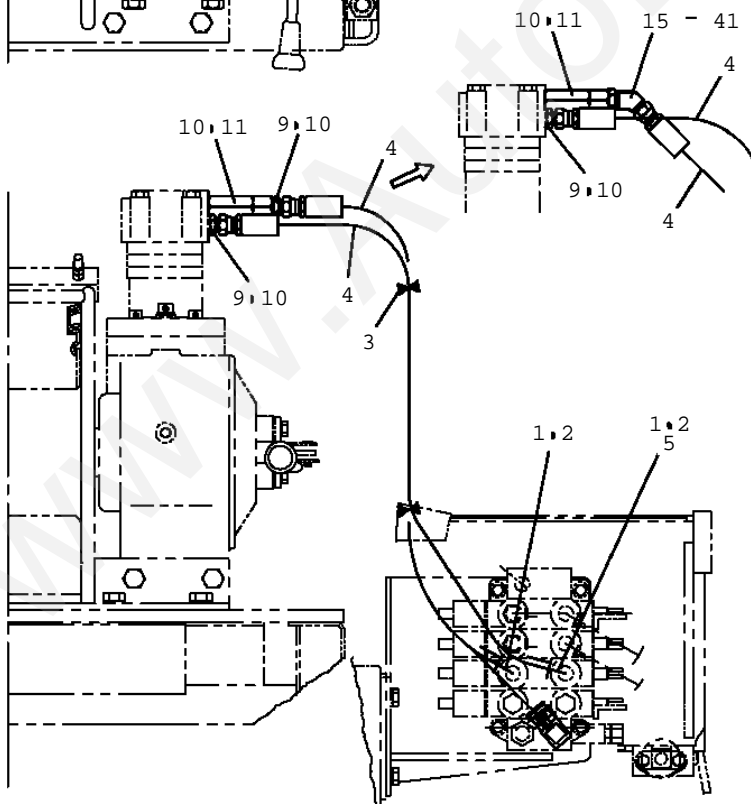
(4速弁時リヤジャッキ、セルフウインチ、サービスポート)



(3速弁時リヤジャッキ、セルフウインチ)



(2速弁時セルフウインチ、サービスポート)

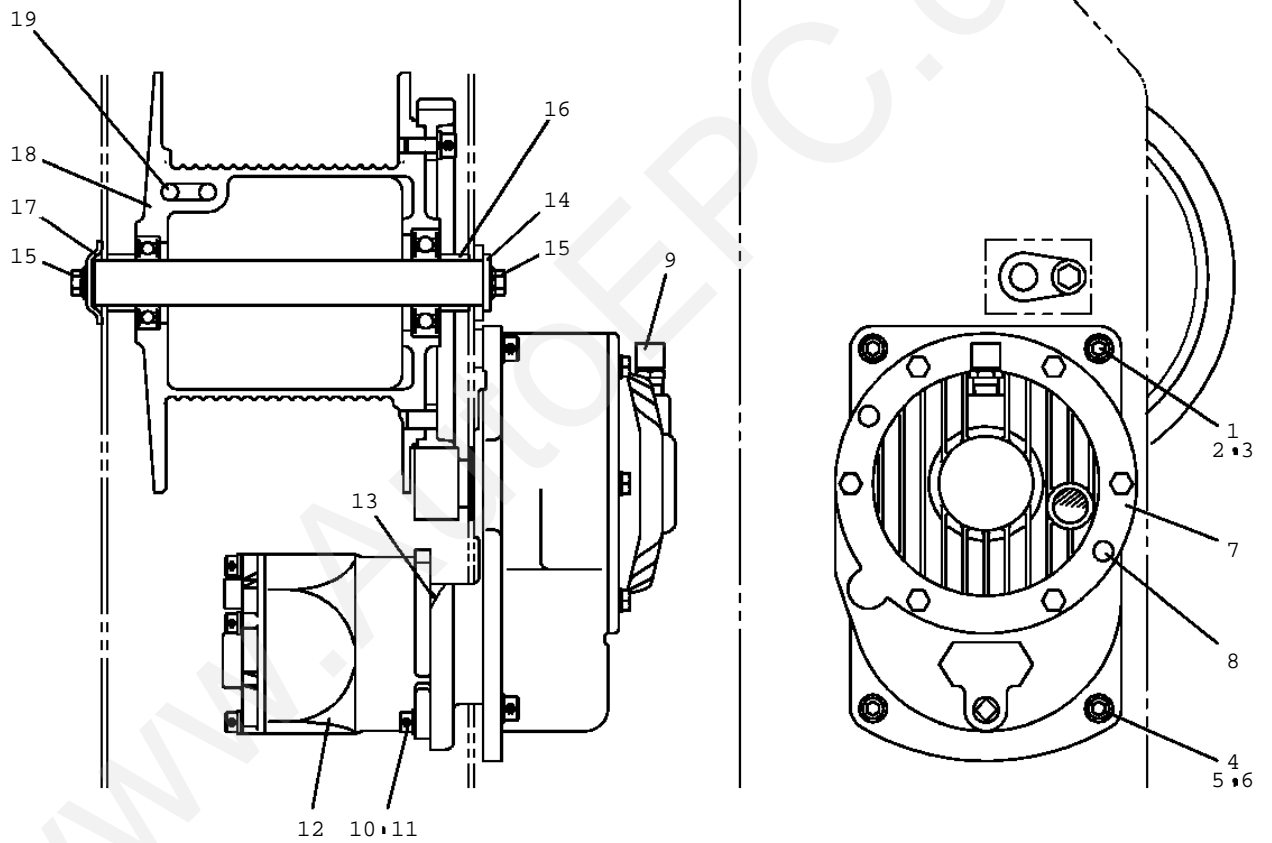


**TM-ZR300 31014010170A FRAME/SL, MANUAL, HOOK-IN**

Pos No.	Parts No	Parts Name	Qty	Unit	Technical Data	Serial No (Start)
1	80481103030	JOINT	2		L,G3/8-G3/8	
2	91002801400	O-RING	3		1B P14	
3	91810132530	FASTENER	4			
4	37002468690	HOSE	2		L=1250	
5	37000920980	JOINT	1		PF3/8-PF3/8	
6	37002504790	HOSE	1		L=1500	
7	80400160190	JOINT (WITH O-RING)	2			
8	91803880070	CLIP	2		D=13.1-16.2	
9	80400160130	JOINT	1		S,G1/2-G3/8	
10	91002801800	O-RING	4		1B P18	
11	36625150000	VALVE ,CHECK	1			
12	37000923950	JOINT	1			
13	80400160205	JOINT (WITH O-RING)	1			
14	37000925790	JOINT	1			
15	80481404030	JOINT (WITH O-RING)	1		G1/2-F3/8	
31	91002801100	O-RING	2		1B P11	
41	91002801800	O-RING	2		1B P18	

www.AutoEPC.com

TM-ZR300 31014010170A FRAME/SL, MANUAL, HOOK-IN  
PF1400303-03 MOUNT, WINCH



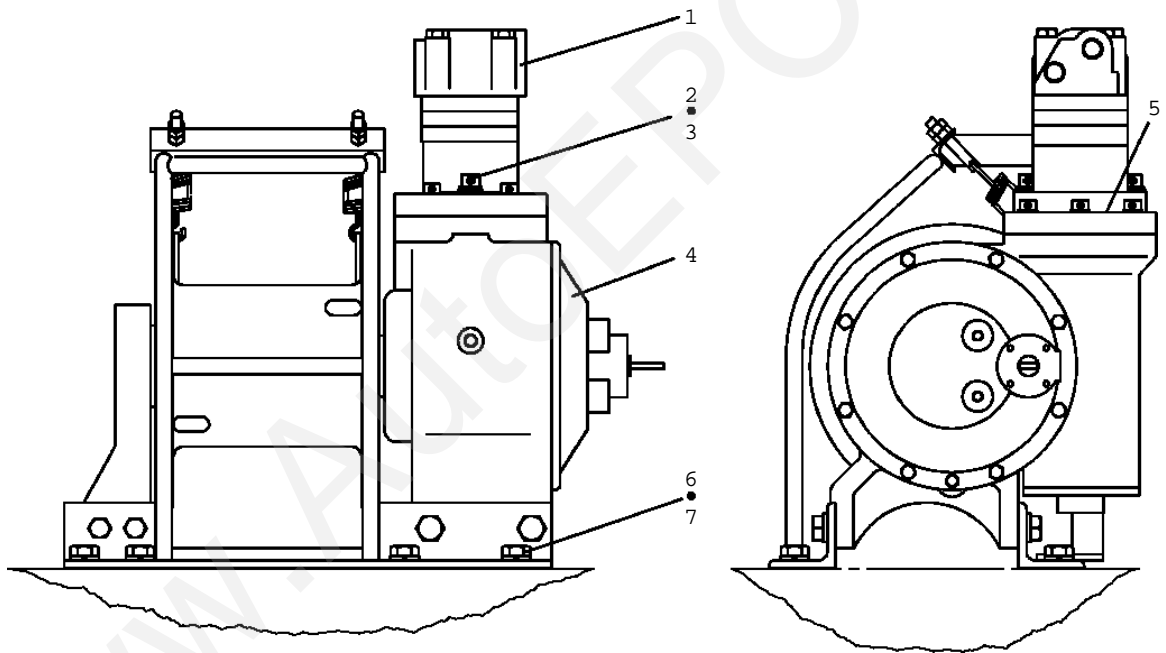


**TM-ZR300 31014010170A FRAME/SL, MANUAL, HOOK-IN**

Pos No.	Parts No	Parts Name	Qty	Unit	Technical Data	Serial No (Star
1	37001500000	BOLT	1			
2	90302041201	WASHER, SPRING	1		12	
3	90303101201	WASHER, PLAIN	1		12	
4	90172110028	BOLT, HEXAGON SOCKET	3		M10X28	
5	90302041001	WASHER, SPRING	3		10	
6	90303071001	WASHER, PLAIN	3		10	
7	36073080000	WINCH (Y.G.TEC)	1			
	36072620000	WINCH (HARTYS)	1			
	36073430000	WINCH (OOKUBO)	1			
	36073810000	WINCH ASSY (Y.G.TEC)	1			ES8155
8	82401800080	PLUG (FOR M8)	2			
9	31310610500	BREATHER, AIR	1			
10	90172108025	BOLT, HEXAGON SOCKET	2		M8X25	
11	90302040801	WASHER, SPRING	2		8	
12	36663100000	MOTOR, HYDRAULIC (WINCH)	1			
13	91001206000	O-RING	1		1A G60	
14	37000134390	PIN	1			
15	90186210014	BOLT, FLANGE	2		M10X14	
16	37000300350	SPACER	2		L=18.5	
17	31310391000	COVER	1			
18	31310610300	DRUM, WINCH	1			
	31310610100	DRUM, WINCH	1			
19	37002600190	WEDGE	1		8	

www.AutoEPC.com

TM-ZR300 31014010170A FRAME/SL, MANUAL, HOOK-IN  
PF1400322-00 MOUNT, WINCH (3T SELF)

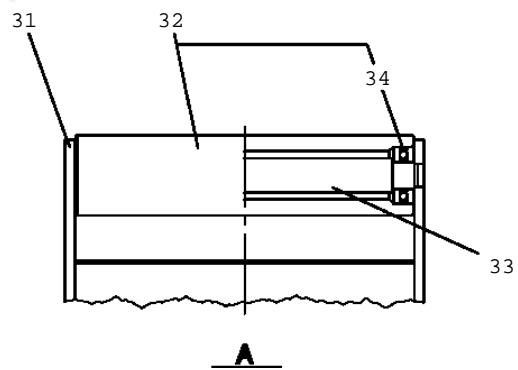
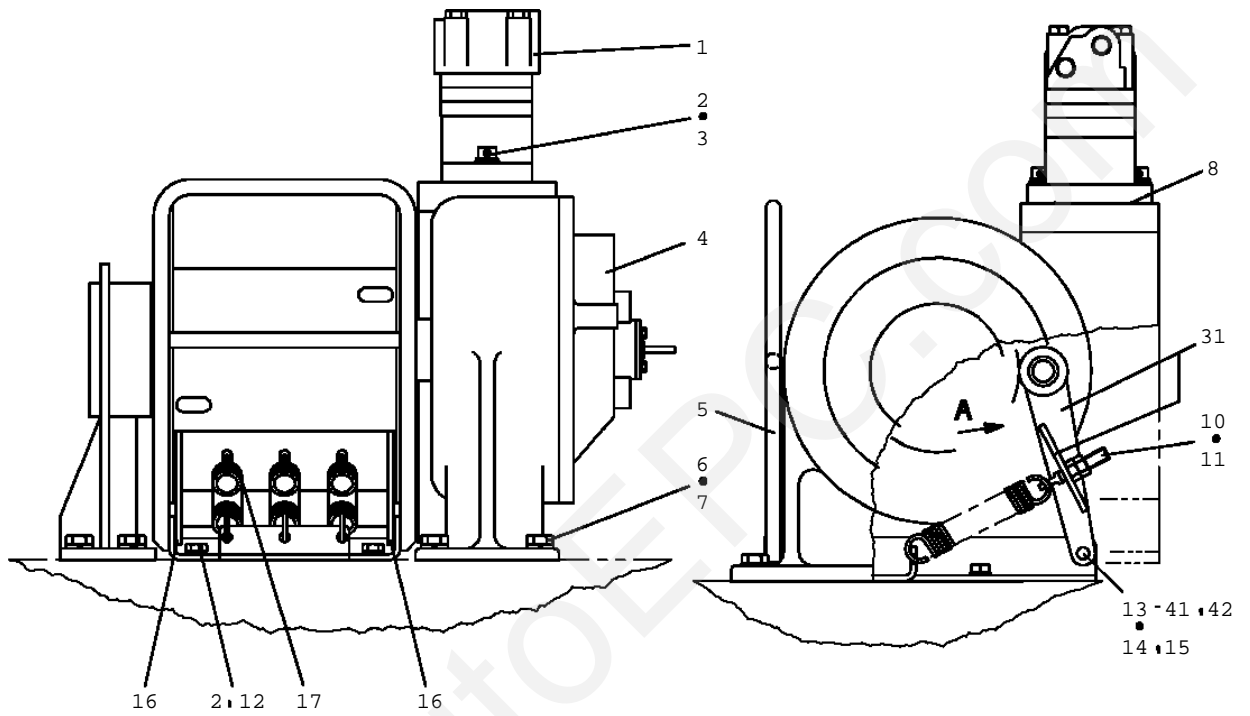


**TM-ZR300 31014010170A FRAME/SL, MANUAL, HOOK-IN**

Pos No.	Parts No	Parts Name	Qty	Unit	Technical Data	Serial No (Start)
1	36662290000	MOTOR, HYDRAULIC	1			
2	90302041201	WASHER, SPRING	2		12	
3	90172112035	BOLT, HEXAGON SOCKET	2		M12X35	
4	36073290000	WINCH (YG.TEC)	1			
	36072810000	WINCH (HARTYS)	1			
5	91000515200	O-RING	1		AS568-152	
6	90171116040	BOLT	8		M16X40	
7	90302041601	WASHER, SPRING	8		16	

www.AutoEPC.com

TM-ZR300 31014010170A FRAME/SL, MANUAL, HOOK-IN  
PF1400323-00 MOUNT, WINCH (4T SELF)



**TM-ZR300 31014010170A FRAME/SL,MANUAL,HOOK-IN**

Pos No.	Parts No	Parts Name	Qty	Unit	Technical Data	Serial No (Start)
1	36662650000	MOTOR, HYDRAULIC	1			
2	90302041201	WASHER, SPRING	6		12	
3	90172112035	BOLT, HEXAGON SOCKET	2		M12X35	
4	36072800000	WINCH (SELF)	1			
5	31311131000	GUARD	1			
6	90171116040	BOLT	8		M16X40	
7	90302041601	WASHER, SPRING	8		16	
8	91000515200	O-RING	1		AS568-152	
10	14124015000	BOLT	3			
11	90201201200	NUT	6		M12	
12	90101212020	BOLT	4		M12X20	
13	37000136790	PIN ASSY	1			
14	90303071201	WASHER, PLAIN	2		12	
15	80136340020	PIN, SPLIT	1		4X20	
16	31322224200	PLATE	2		L=1	
17	37001300250	SPRING	3			
31	31311139520	SUPPORT ASSY	1			
32	31311139510	ROLLER ASSY	1			
33	31311130530	PIN	1			
34	80516006203	BEARING, BALL	2			
41	80136340020	PIN, SPLIT	1		4X20	
42	37000136800	PIN	1			

www.AutoEPC.com

TM-ZR300 31014010170A FRAME/SL,MANUAL,HOOK-IN  
PF5100218-00 FRAME ASSY (WITHOUT LOCK ASSY)

指示番号 KEY NO.	フレームASSY (ロックASSYナシ) FRAME ASSY (WITHOUT LOCK ASSY)
1	アウトリガ <sup>ク</sup> ,リヤ (フレーム) OUTRIGGER,REAR (FRAME)
2	シリンダ <sup>ク</sup> ,シ <sup>ク</sup> ヤツキ (リヤアウトリガ <sup>ク</sup> ) CYLINDER,JACK (REAR OUTRIGGER)
3	パイピ <sup>ク</sup> ング <sup>ク</sup> ,リヤ シ <sup>ク</sup> ヤツキ (2,カイトンシキ) PIPING,REAR JACK (2,ROTARY)

**TM-ZR300 31014010170A FRAME/SL,MANUAL,HOOK-IN**

Pos No.	Parts No	Parts Name	Qty	Unit	Technical Data	Serial
1	(***** )	OUTRIGGER,REAR (FRAME)	1			
2	(***** )	CYLINDER,JACK (REAR OUTRIGGER)	2			
3	(***** )	PIPING,REAR JACK (2,ROTARY)	1			

www.AutoEPC.com

TM-ZR300 31014010170A FRAME/SL,MANUAL,HOOK-IN  
PF5100219-00 FRAME ASSY (WITH LOCK ASSY)

指示番号 KEY NO.	フレームASSY (ロックASSYつき) FRAME ASSY (WITH LOCK ASSY)
1	アウトリガ <sup>*</sup> ,リヤ (フレーム) OUTRIGGER,REAR (FRAME)
2	ロックASSY LOCK ASSY
3	シリンダ <sup>*</sup> ,シ <sup>*</sup> ャツキ (リヤアウトリガ <sup>*</sup> ) CYLINDER,JACK (REAR OUTRIGGER)
4	パイピ <sup>*</sup> ング <sup>*</sup> ,リヤ シ <sup>*</sup> ャツキ (2,カイトンシキ) PIPING,REAR JACK (2,ROTARY)

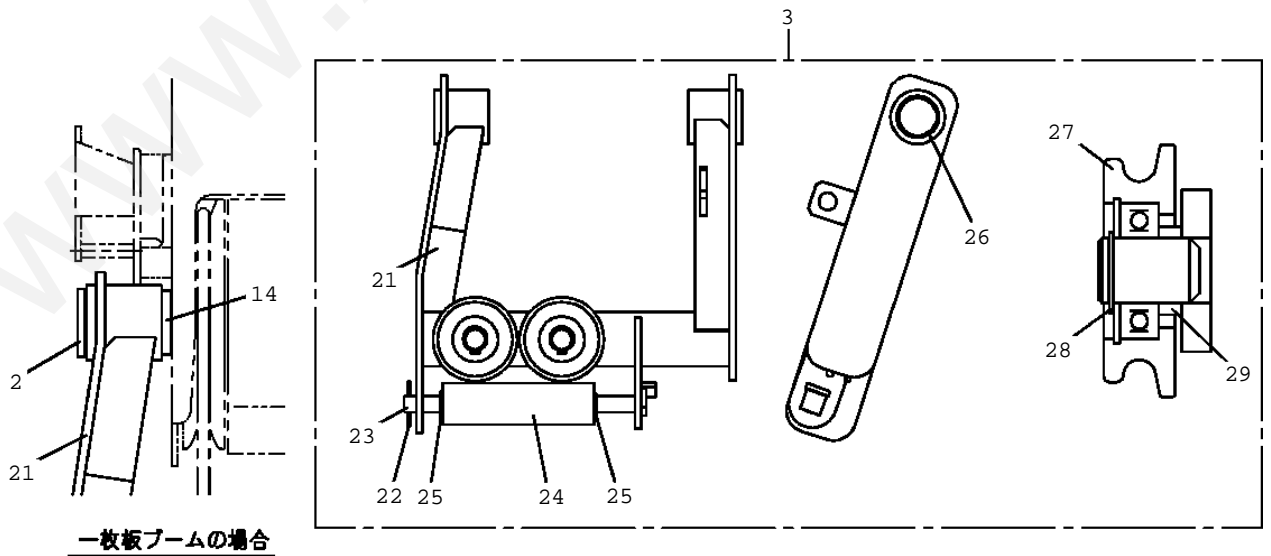
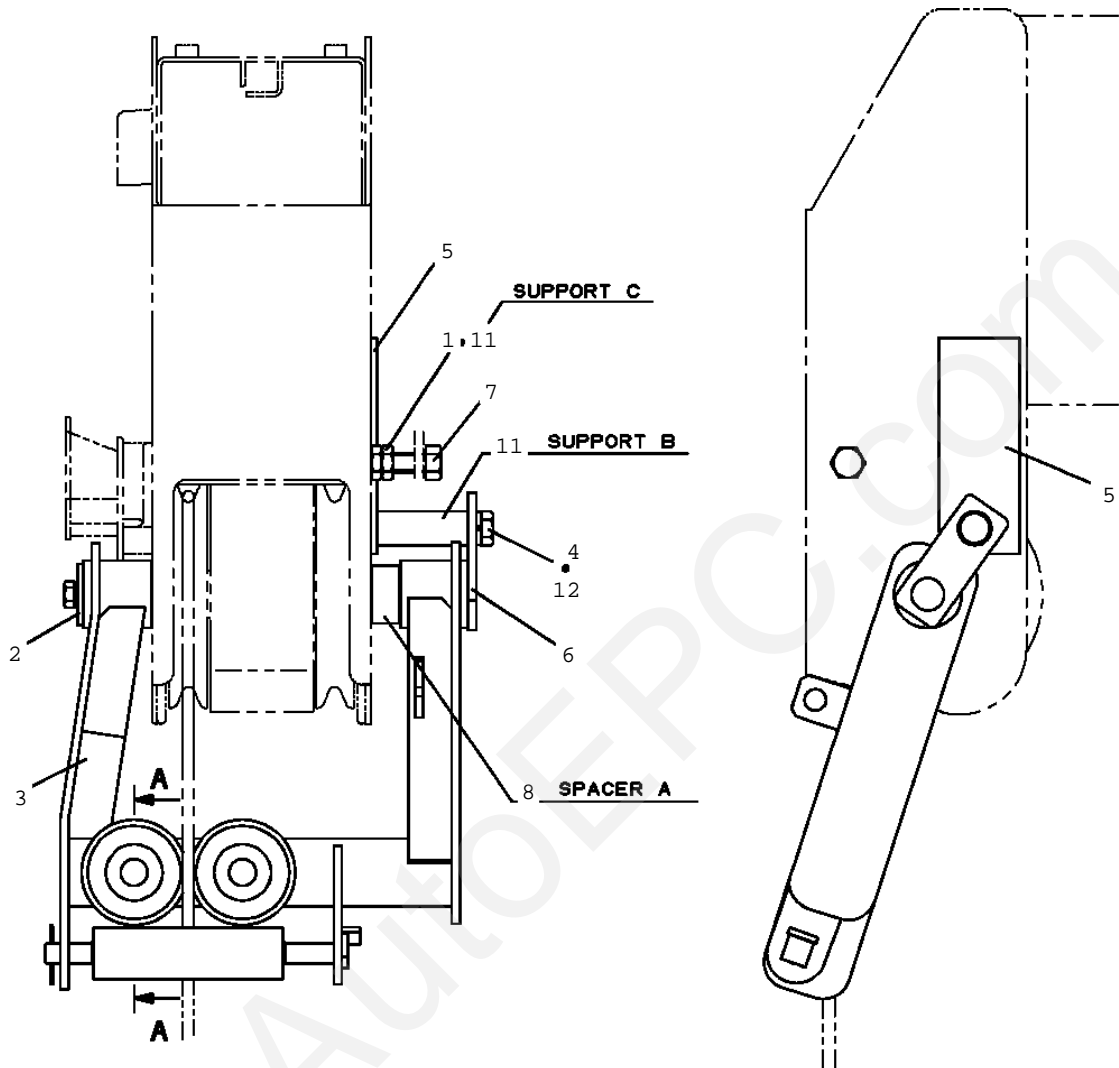


**TM-ZR300 31014010170A FRAME/SL,MANUAL,HOOK-IN**

Pos No.	Parts No	Parts Name	Qty	Unit	Technical Data	Serial
1	(***** )	OUTRIGGER,REAR (FRAME)	1			
2	(***** )	LOCK ASSY	1			
3	(***** )	CYLINDER,JACK (REAR OUTRIGGER)	2			
4	(***** )	PIPING,REAR JACK (2,ROTARY)	1			

www.AutoEPC.com

TM-ZR300 31014010170A FRAME/SL, MANUAL, HOOK-IN  
 PG1020003-04 GUIDE, ROPE (RETAINING WIRE ROPE, 1-PART)



一枚板ブームの場合

**TM-ZR300 31014010170A FRAME/SL,MANUAL,HOOK-IN**

Pos No.	Parts No	Parts Name	Qty	Unit	Technical Data	Serial No (Start)	Serial No (End)
1	90203201400	NUT	2		M14		
2	37000574030	PLATE	1				
3	31477171100	GUIDE ASSY	1				
4	90101214020	BOLT	1		M14X20		
5	37000532240	PLATE	1				
6	31471731600	PIN	1				
7	90101214040	BOLT	1		M14X40		
8	37000303800	SPACER	1		L=48		
11	31477171500	SUPPORT	2				
12	90302041401	WASHER,SPRING	1		14		
14	37000304020	SPACER	1		L=6		
21	31477171200	GUIDE	1				
22	80620210160	PIN,SNAP	1				
23	31471731200	PIN	1				
24	37001102960	ROLLER ASSY	1				
25	80601110150	RING,RITAINING	2		15		
26	80804035050	BUSH	2				
27	31471731500	SHEAVE ASSY	2				
28	80601110200	RING,RITAINING	2		S20		
29	37000300240	SPACER	2		L=7		

www.AutoEPC.com

TM-ZR300 31014010170A FRAME/SL, MANUAL, HOOK-IN  
PG1020004-00 GUIDE, ROPE (RETAINING WIRE ROPE)

1	ガイド , ロープ GUIDE, ROPE
2	フック HOOK
3	ディテクタ , オーバ ワインド DETECTOR, OVER WIND
4	プレートASSY , ネーム PLATE ASSY, NAME

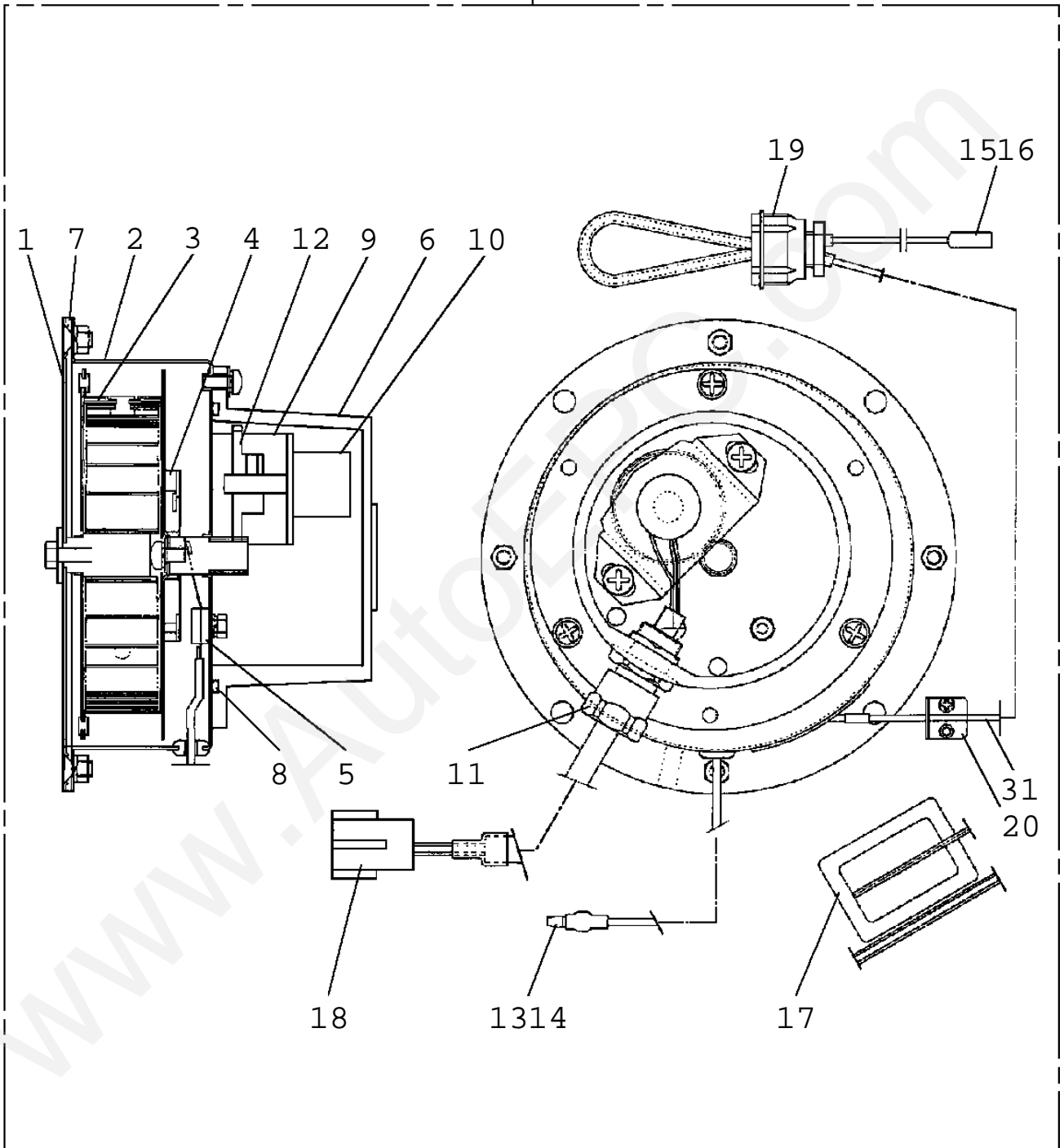
**TM-ZR300 31014010170A FRAME/SL,MANUAL,HOOK-IN**

Pos No.	Parts No	Parts Name	Qty	Unit	Technical Da
1	(***** )	GUIDE,ROPE (RETAINING WIRE ROPE,1-PART)	1		
2	(***** )	HOOK	1		
3	(***** )	DETECTOR,OVER WINDING (RETAINING WIRE RO	1		
4	(***** )	PLATE ASSY,NAME (1-PART LINE OPE.)	1		

www.AutoEPC.com

TM-ZR300 31014010170A FRAME/SL, MANUAL, HOOK-IN  
PG1130134-00 DETECTOR, BOOM LENGTH

100



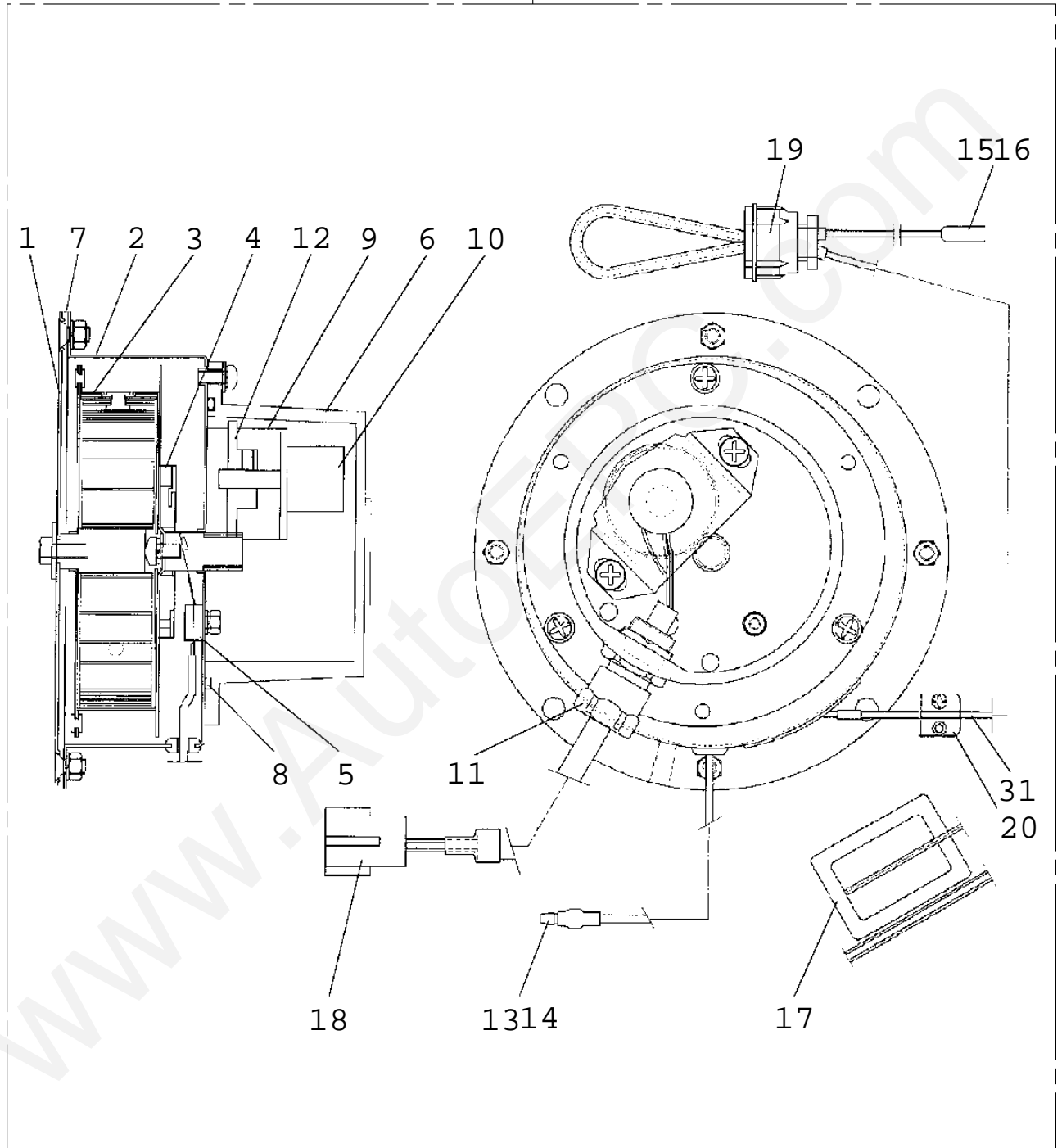
**TM-ZR300 31014010170A FRAME/SL, MANUAL, HOOK-IN**

Pos No.	Parts No	Parts Name	Qty	Unit	Technical Data	Serial No (Start)
1	36131315010	PLATE (BASE)	1			
2	36131745020	CASE	1			
3	36131745030	DRUM ASSY	1			
4	32360005050	RING, SLIP	1			
5	32360005060	CONTACTOR ASSY	1			
6	36131745040	CASE	1			
7	36131745050	PACKING	1			
8	91001209000	O-RING	1		1A G90	
9	36131745060	BRACKET	1			
10	36131745010	POTENTIOMETER	1			
11	36130915030	SEAL	1			
12	36131745070	GEAR	1			
13	82100000192	TERMINAL	1			
14	36161185010	CAP	1			
15	82100000191	TERMINAL	1			
16	36131625050	CAP	1			
17	31370005080	GUIDE (CORD)	1			
18	36131745080	CORD ASSY	1			
19	82100001406	CONNECTOR (SEAL)	1			
20	36130795030	STOPPER	2			
31	36131745090	CORD	13	M		
100	36131740000	DETECTOR, BOOM LENGTH	1			

www.AutoEPC.com

TM-ZR300 31014010170A FRAME/SL, MANUAL, HOOK-IN  
PG1130135-00 DETECTOR, BOOM LENGTH

100



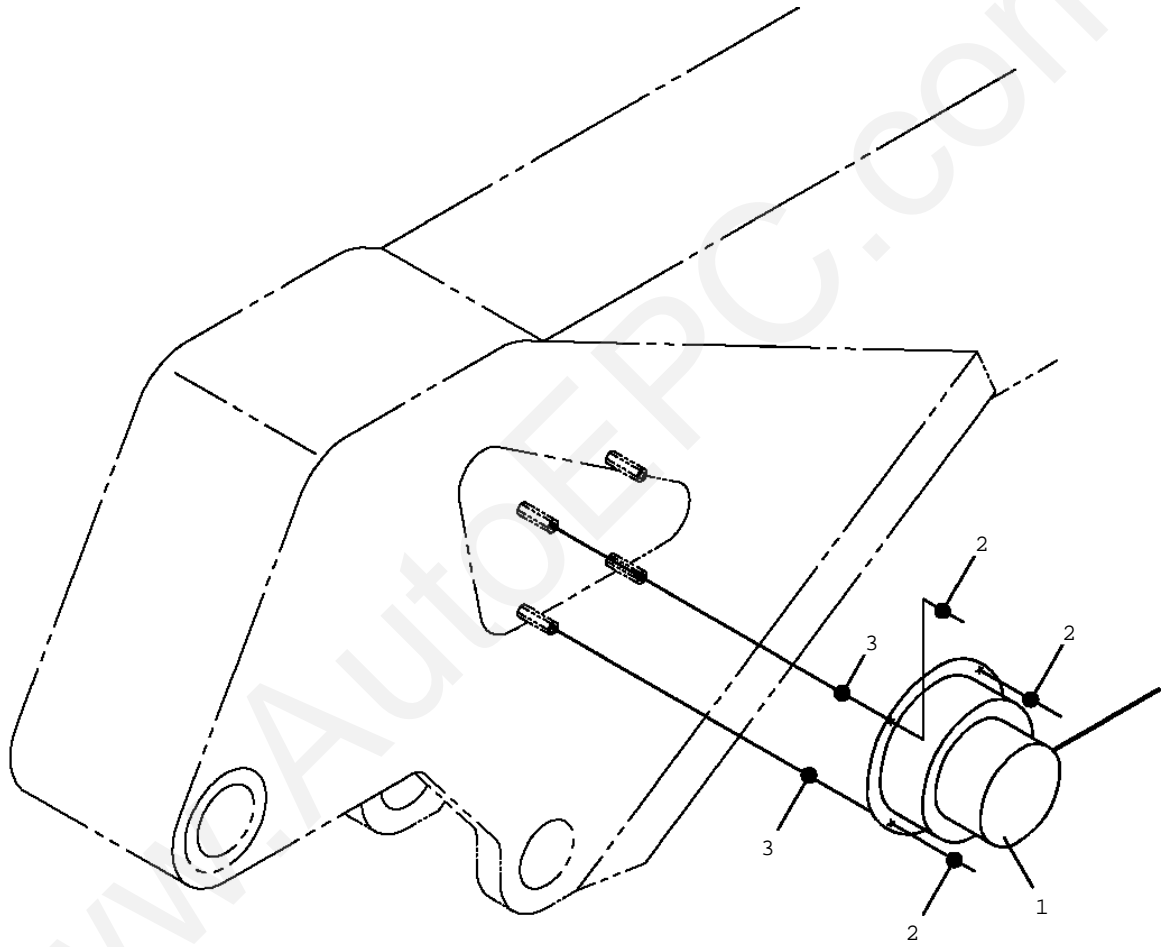


**TM-ZR300 31014010170A FRAME/SL, MANUAL, HOOK-IN**

Pos No.	Parts No	Parts Name	Qty	Unit	Technical Data	Serial No (Start)
1	36130235010	PLATE (BASE)	1			
2	36131755010	CASE	1			
3	36131755020	DRUM ASSY	1			
4	32360005050	RING, SLIP	1			
5	32360005060	CONTACTOR ASSY	1			
6	36131745040	CASE	1			
7	31370105030	PACKING	1			
8	91001209000	O-RING	1		1A G90	
9	36131745060	BRACKET	1			
10	36131745010	POTENTIOMETER	1			
11	36130915030	SEAL	1			
12	36131745070	GEAR	1			
13	82100000192	TERMINAL	1			
14	36161185010	CAP	1			
15	82100000191	TERMINAL	1			
16	36131625050	CAP	1			
17	31370005080	GUIDE (CORD)	1			
18	36131745080	CORD ASSY	1			
19	82100001406	CONNECTOR (SEAL)	1			
20	36130795030	STOPPER	2			
31	36131745090	CORD	17	M		
100	36131750000	DETECTOR, BOOM LENGTH	1			

www.AutoEPC.com

TM-ZR300 31014010170A FRAME/SL, MANUAL, HOOK-IN  
PG1130144-00 DETECTOR, BOOM LENGTH (MOUNT)

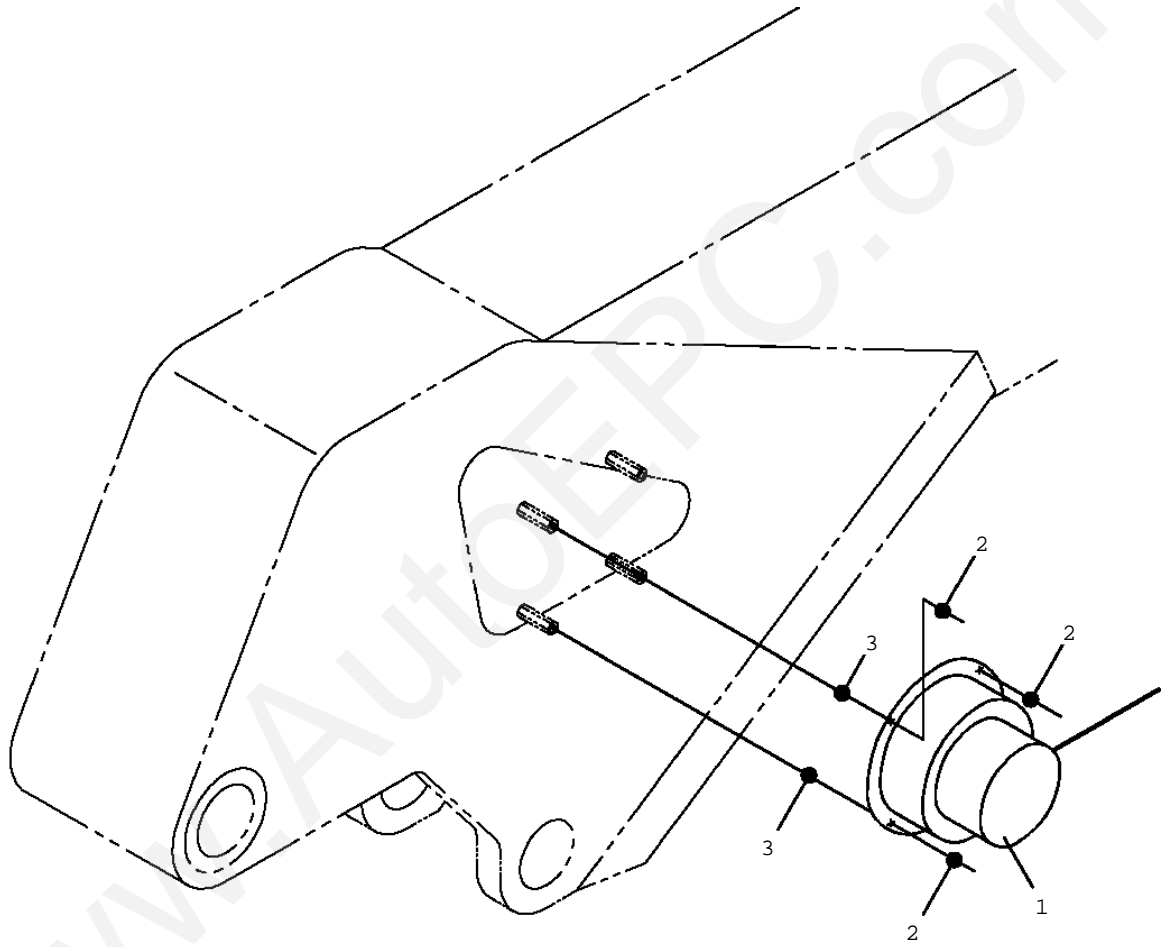


**TM-ZR300 31014010170A FRAME/SL, MANUAL, HOOK-IN**

Pos No.	Parts No	Parts Name	Qty	Unit	Technical Data	Serial No (Start)
1	36131740000	DETECTOR, BOOM LENGTH	1			
2	90186206010	BOLT, FLANGE	4		M6X10	
3	90303070601	WASHER, PLAIN	3		6	

www.AutoEPC.com

TM-ZR300 31014010170A FRAME/SL, MANUAL, HOOK-IN  
PG1130145-00 DETECTOR, BOOM LENGTH (MOUNT)

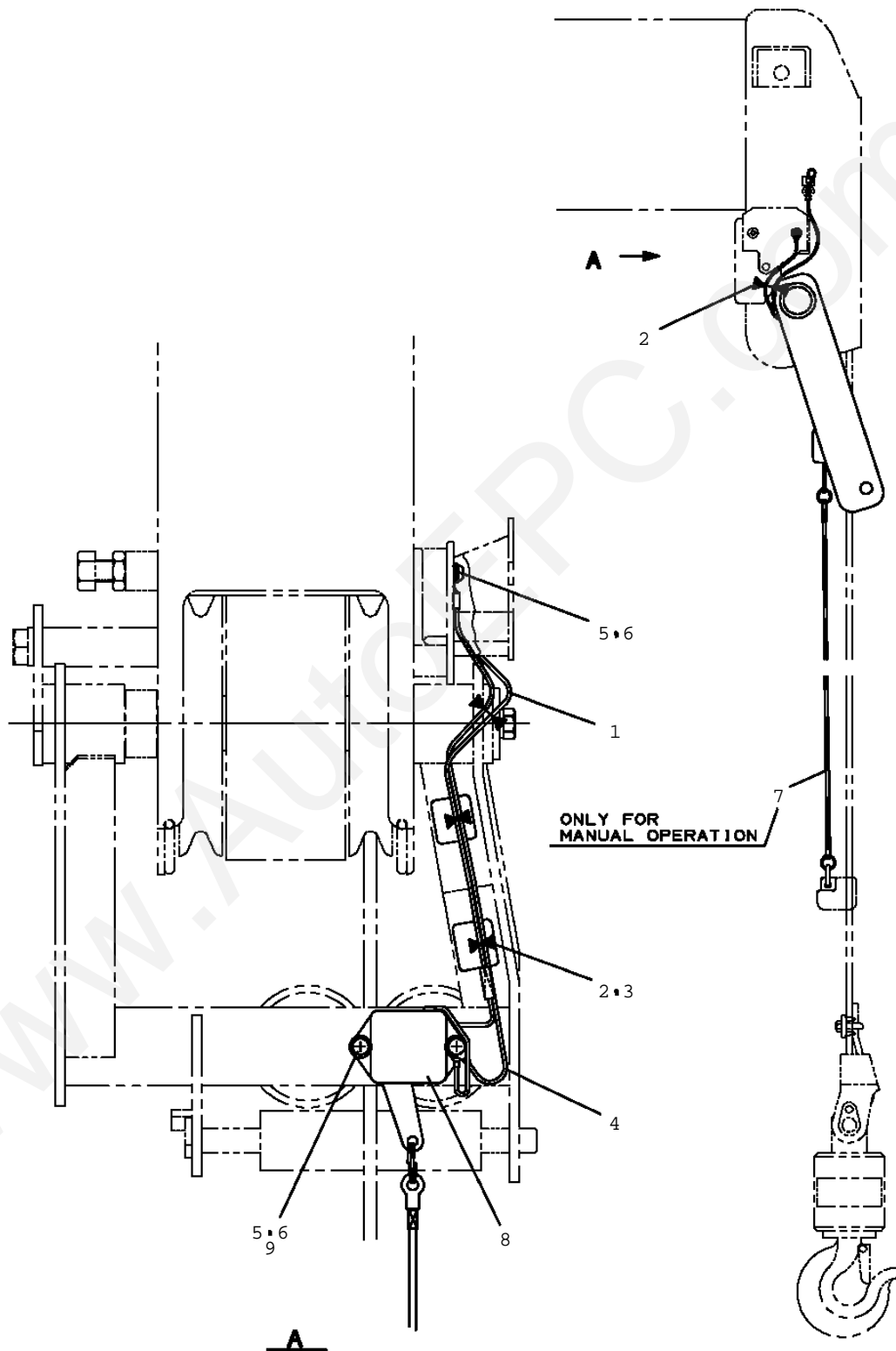


**TM-ZR300 31014010170A FRAME/SL, MANUAL, HOOK-IN**

Pos No.	Parts No	Parts Name	Qty	Unit	Technical Data	Serial No (Start)
1	36131750000	DETECTOR, BOOM LENGTH	1			
2	90186206010	BOLT, FLANGE	4		M6X10	
3	90303070601	WASHER, PLAIN	3		6	

www.AutoEPC.com

TM-ZR300 31014010170A FRAME/SL, MANUAL, HOOK-IN  
PH1060327-00 DETECTOR, OVER WINDING (RETAINING WIRE RO

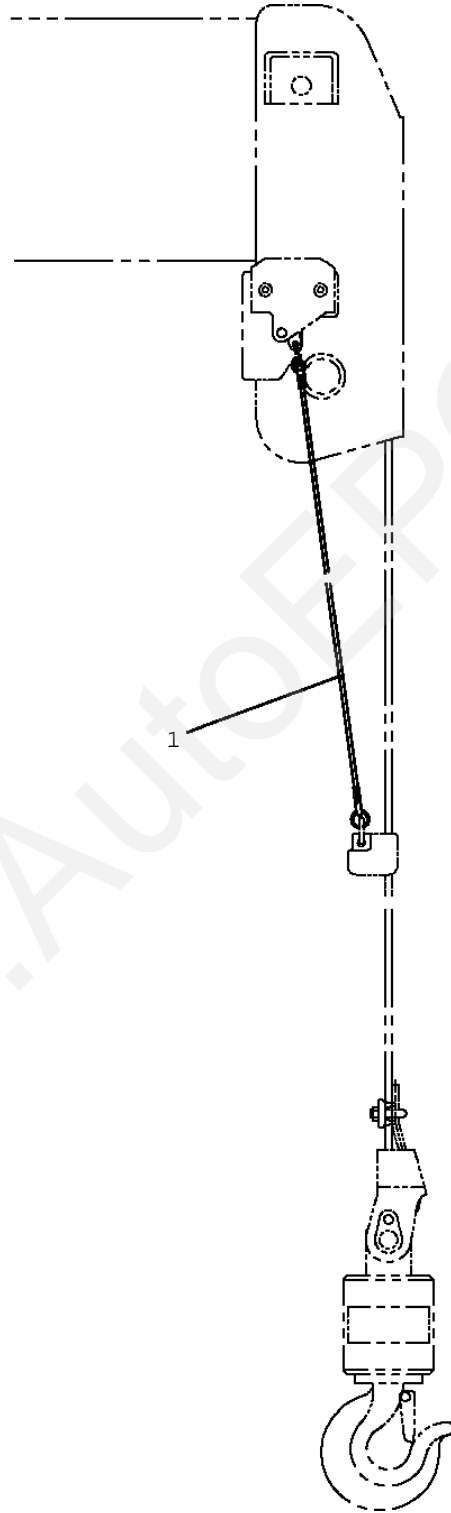


**TM-ZR300 31014010170A FRAME/SL, MANUAL, HOOK-IN**

Pos No.	Parts No	Parts Name	Qty	Unit	Technical Data	Serial No (Star
1	31477172500	HARNES	1		L=440	
2	91810130240	FASTENER	3			
3	91850310405	CLAMP (BLACK)	2			
4	31477172400	HARNES	1		L=440	
5	80182306014	SCREW, MACHINE	3		M6X14	
6	90302040601	WASHER, SPRING	3		6	
7	31477172600	ROPE ASSY	1		L=1480	
8	31371922000	SWITCH ASSY (ASSY ONLY)	1			
9	90303070601	WASHER, PLAIN	2		6	

www.AutoEPC.com

TM-ZR300 31014010170A FRAME/SL, MANUAL, HOOK-IN  
PH1060338-00 DETECTOR, OVER WINDING



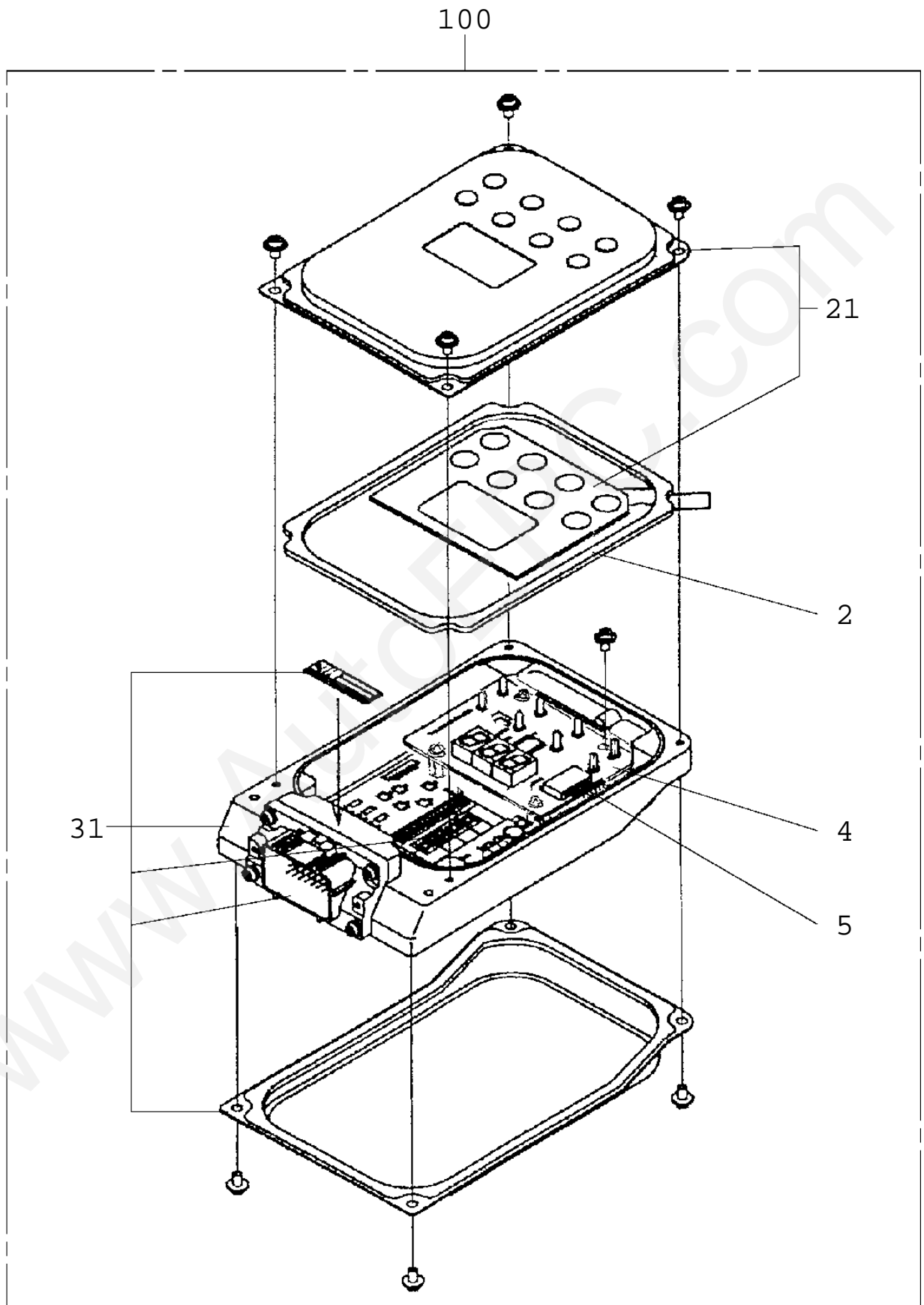


**TM-ZR300 31014010170A FRAME/SL, MANUAL, HOOK-IN**

Pos No.	Parts No	Parts Name	Qty	Unit	Technical Data	Serial No (Start)	Serial No
1	31477172600	ROPE ASSY	1		L=1480		

www.AutoEPC.com

TM-ZR300 31014010170A FRAME/SL, MANUAL, HOOK-IN  
PH1250066-00 MOMENT LIMITER (BML)

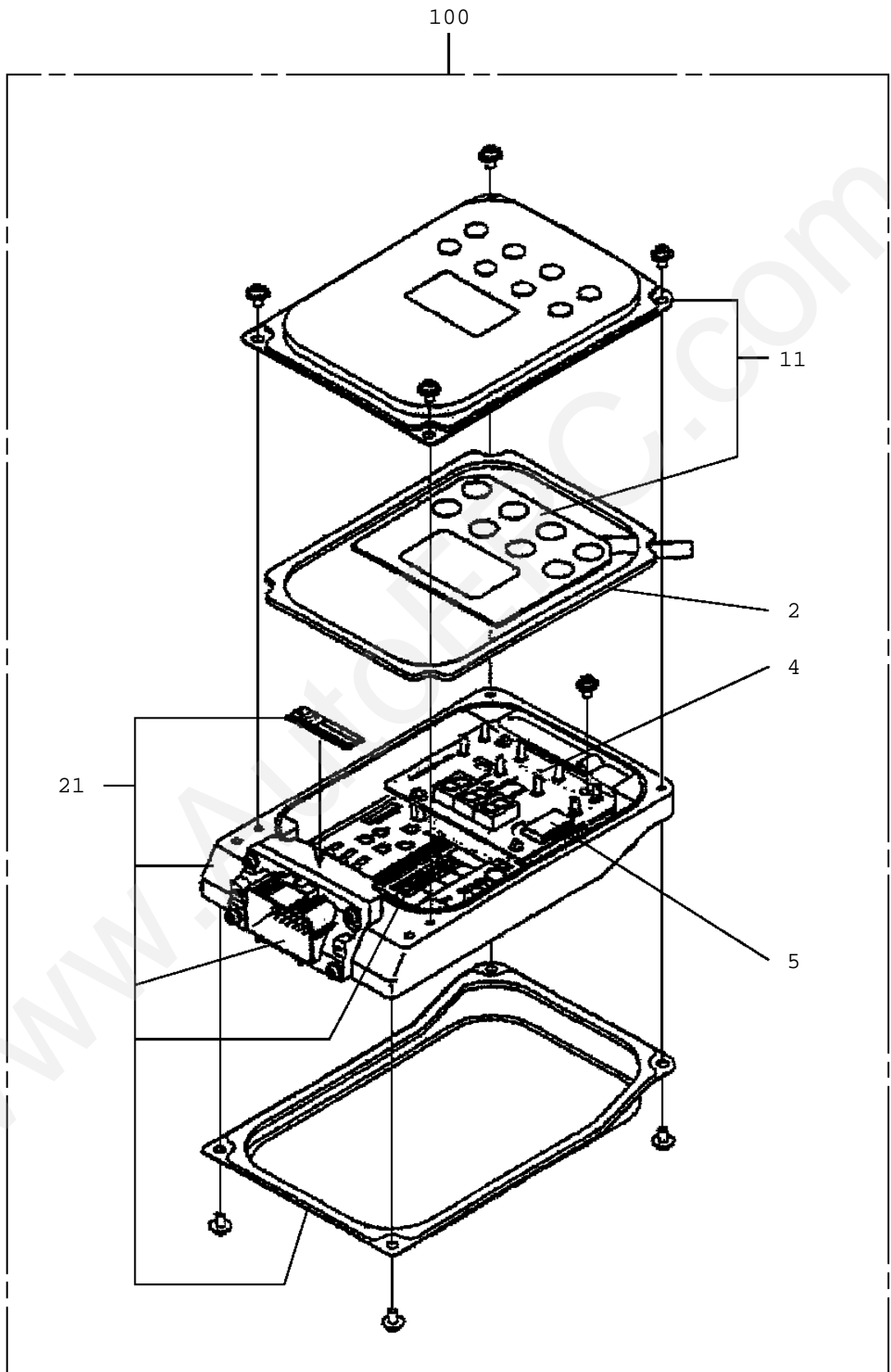


**TM-ZR300 31014010170A FRAME/SL, MANUAL, HOOK-IN**

Pos No.	Parts No	Parts Name	Qty	Unit	Technical Data	Serial No (Start)
2	36116551300	CUSHION	1			
4	36190835020	BOARD, CIRCUIT	1			
5	36190835030	HARNESS	1			
21	36190835010	COVER ASSY	1			
31	36192685010	CPU UNIT (WITH DATA)	1			
100	36192680000	MOMENT LIMITER (BML)	1			

www.AutoEPC.com

TM-ZR300 31014010170A FRAME/SL, MANUAL, HOOK-IN  
PH1250115-00 MOMENT LIMITER (BML)

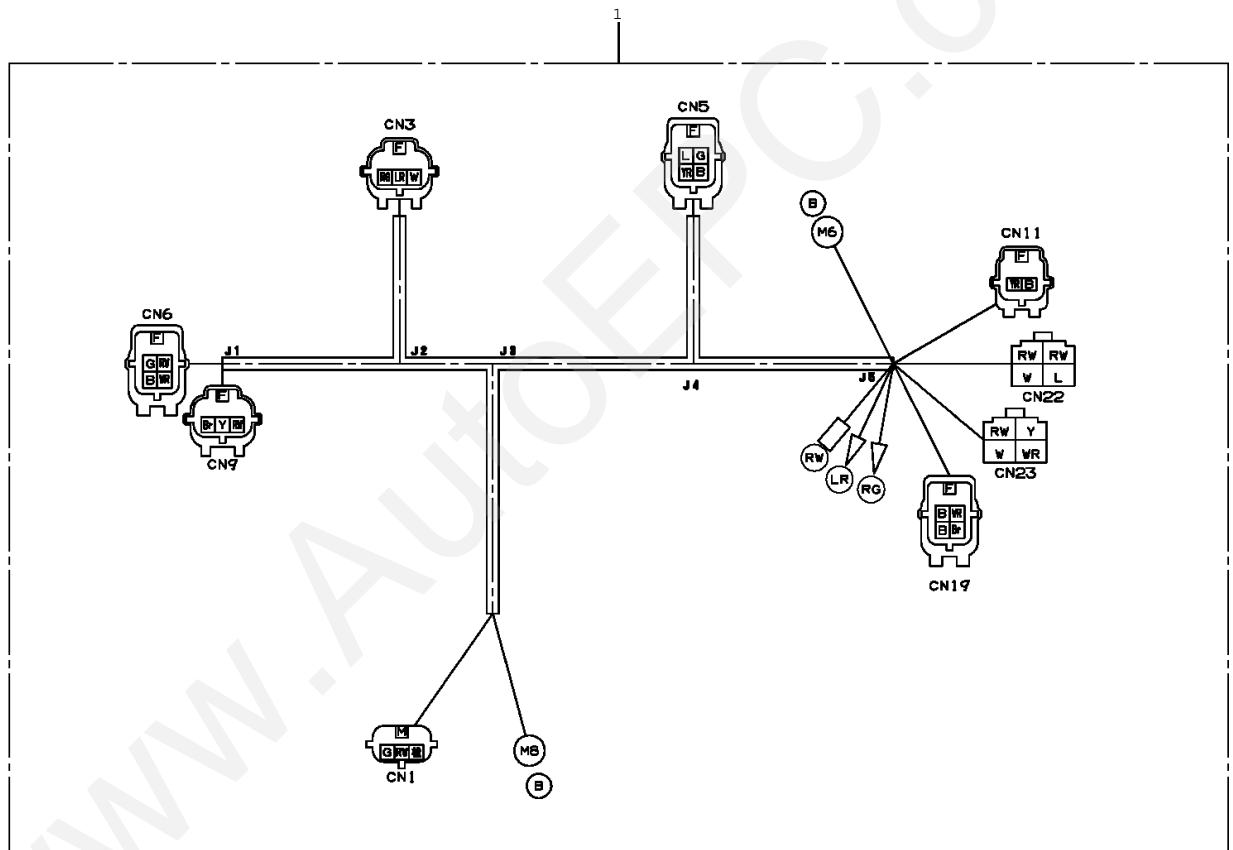


**TM-ZR300 31014010170A FRAME/SL, MANUAL, HOOK-IN**

Pos No.	Parts No	Parts Name	Qty	Unit	Technical Data	Serial No (Start)
2	36116551300	CUSHION	1			
4	36190831930	BOARD, CIRCUIT	1			
5	36190831940	HARNESS	1			
11	36190831800	COVER	1			
21	36194665010	CPU UNIT (WITH DATA)	1			
100	36194660000	MOMENT LIMITER (BML)	1			

www.AutoEPC.com

TM-ZR300 31014010170A FRAME/SL, MANUAL, HOOK-IN  
PH5031464-00 HARNESS

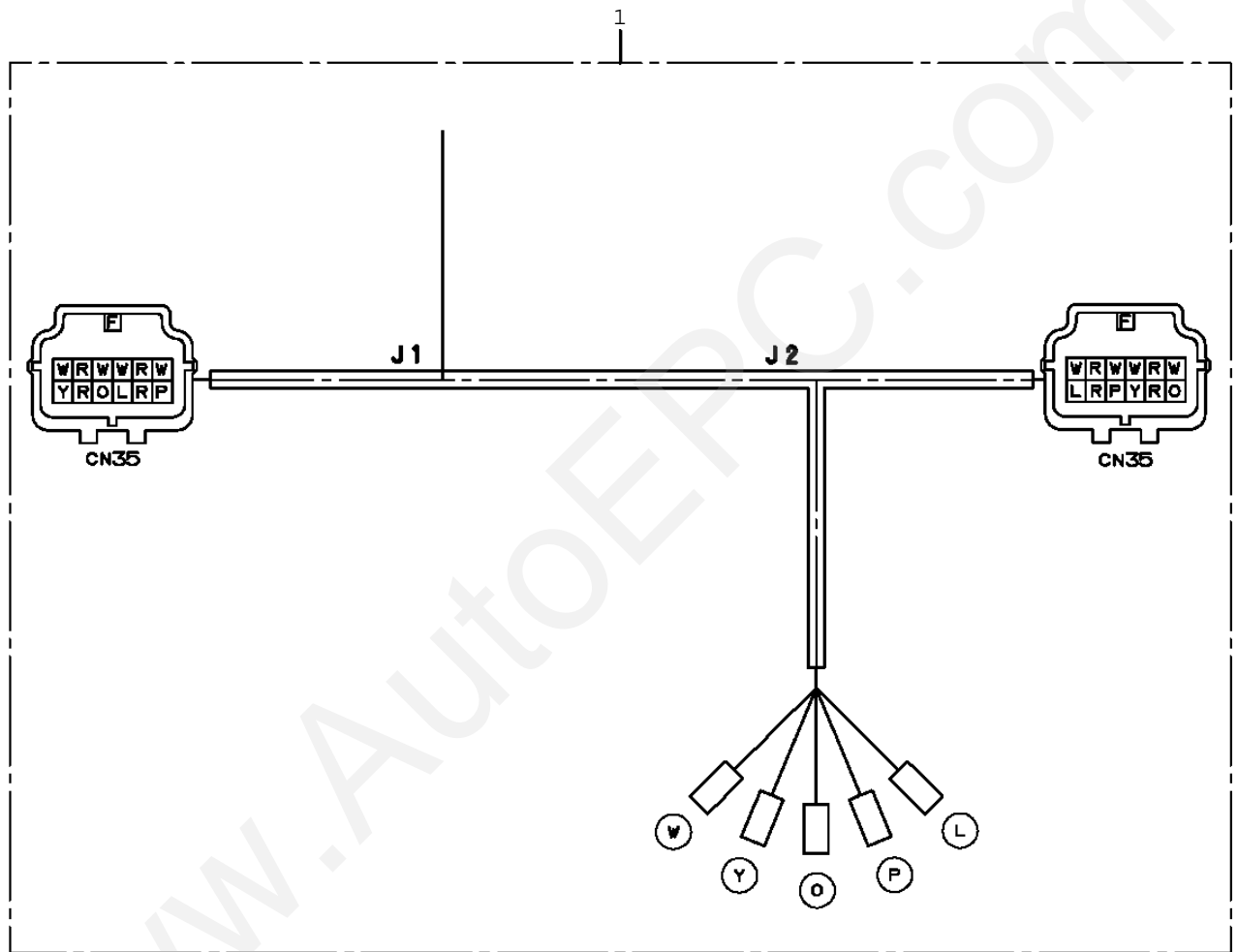


**TM-ZR300 31014010170A FRAME/SL, MANUAL, HOOK-IN**

Pos No.	Parts No	Parts Name	Qty	Unit	Technical Data	Serial No (Start)	Serial No
1	31653241202	HARNESS	1				

www.AutoEPC.com

TM-ZR300 31014010170A FRAME/SL, MANUAL, HOOK-IN  
PH5031732-00 HARNESS





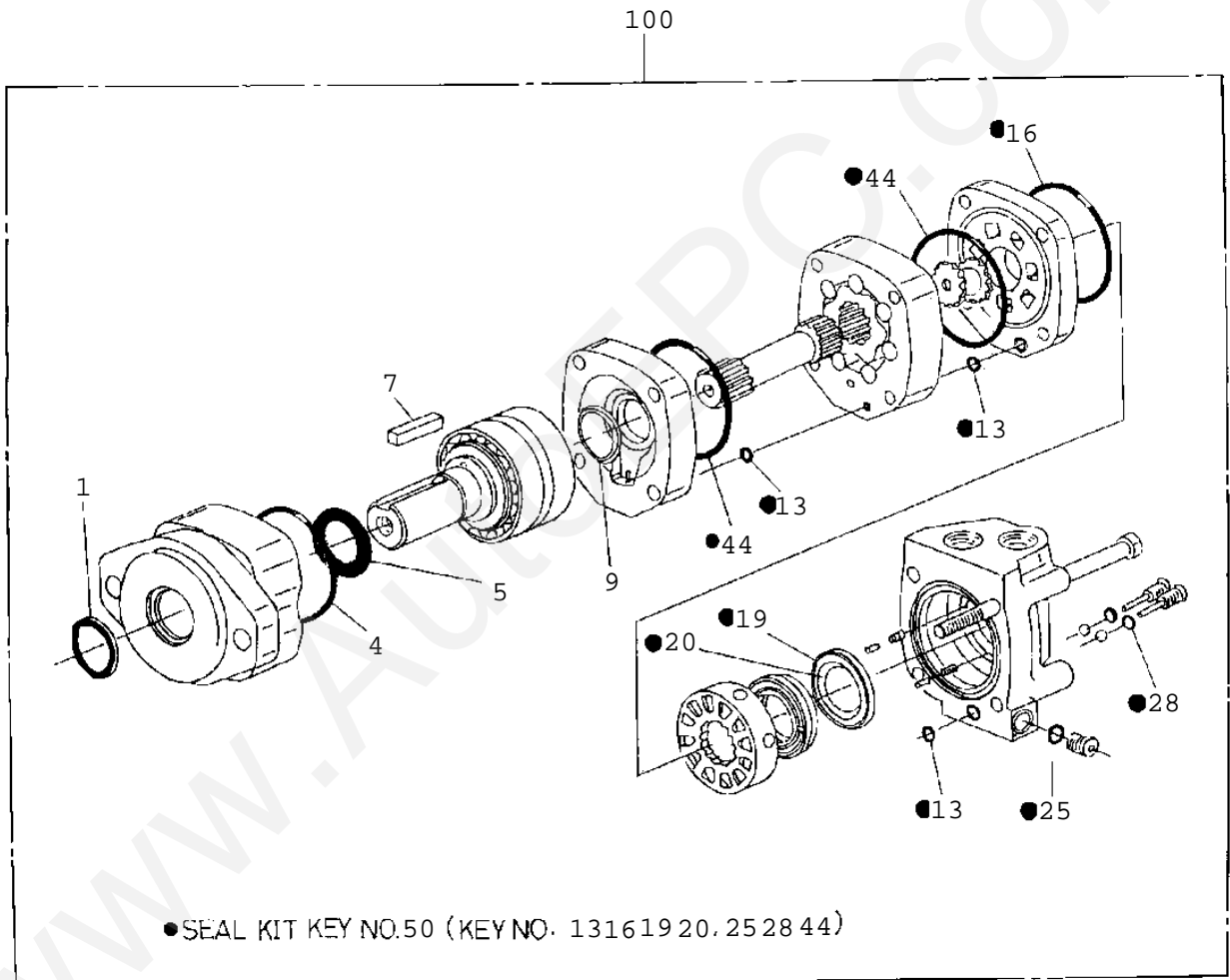
**TM-ZR300 31014010170A FRAME/SL, MANUAL, HOOK-IN**

Pos No.	Parts No	Parts Name	Qty	Unit	Technical Data	Serial No (Start)	Serial No
1	31656330200	HARNESS	1				

www.AutoEPC.com

TM-ZR300 31014010170A FRAME/SL, MANUAL, HOOK-IN  
PI1010085-01 MOTOR, HYDRAULIC

Assembly Name MOTOR, HYDRAULIC (SELF WINCH 31)



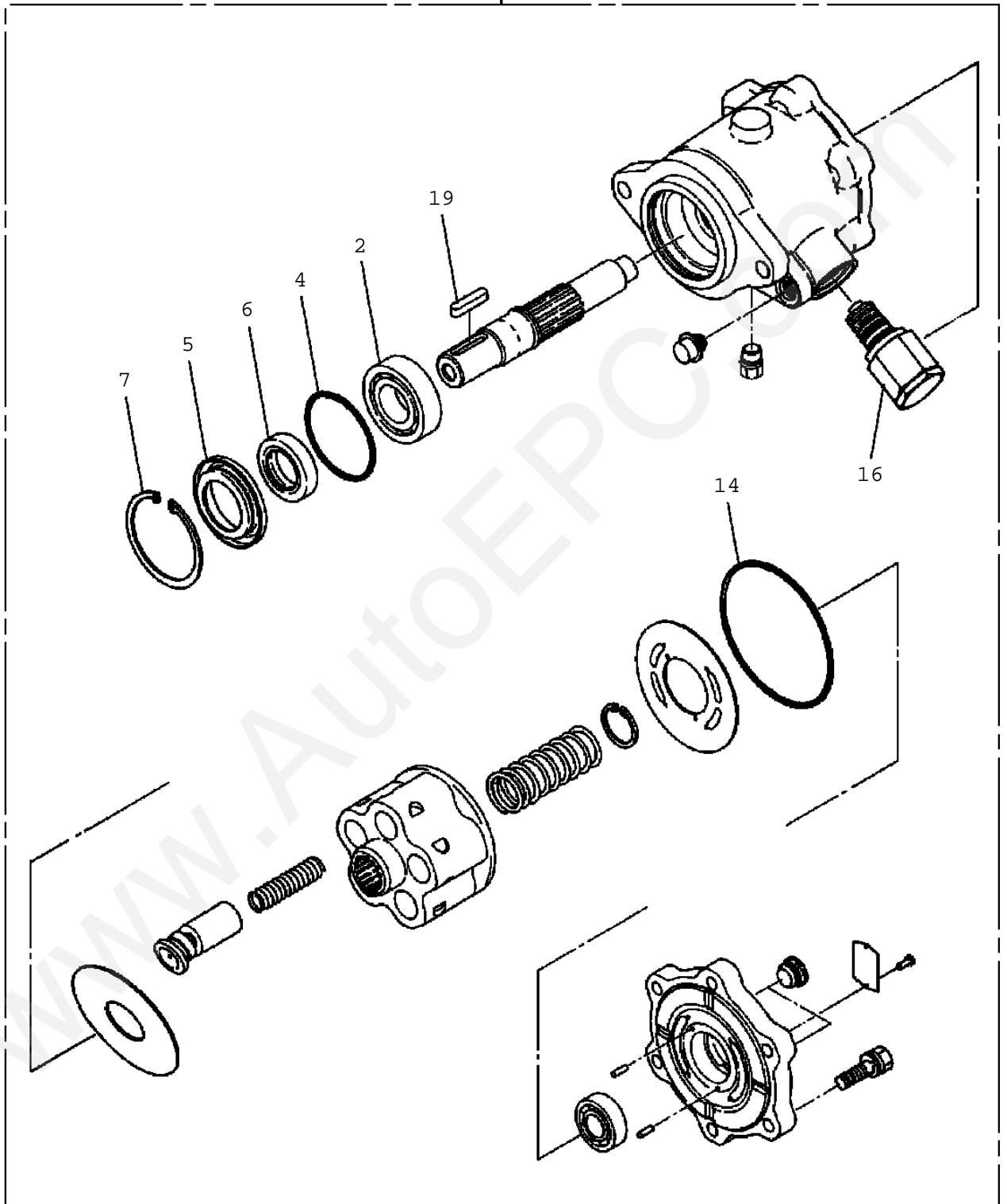
**TM-ZR300 31014010170A FRAME/SL,MANUAL,HOOK-IN**

Pos No.	Parts No	Parts Name	Qty	Unit	Technical Data	Serial No (Start)
1	36662295010	SEAL,DUST	1			
4	91000504100	O-RING	1			
5	36662295020	SEAL,OIL	1			
7	36660375070	KEY	1		7X7X31.5	
9	36662295030	SEAL,SHAFT	1			
13	91000501100	O-RING	3			
16	91000503800	O-RING	1			
19	36660645130	SEAL	1			
20	36660645140	SEAL	1			
25	91001101100	O-RING	1		1A P11	
28	91000590300	O-RING	2			
44	91000504100	O-RING	2			
50	36660645160	SEAL KIT (FOR MOTOR)	1			
100	36662290000	MOTOR,HYDRAULIC	1			

www.AutoEPC.com

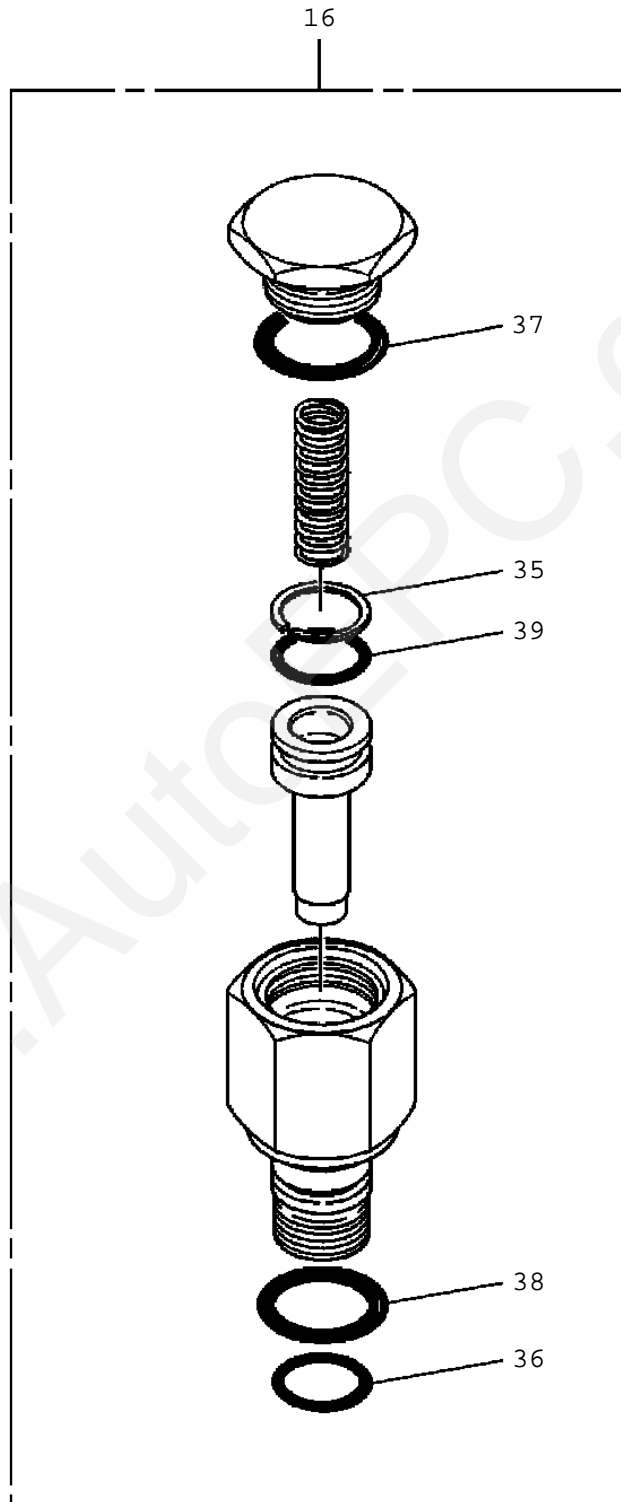
TM-ZR300 31014010170A FRAME/SL, MANUAL, HOOK-IN  
PI1010088-01 MOTOR, HYDRAULIC (SWING)

50



展開図有  
ILLUSTRATED BREAKDOWN NO.16

TM-ZR300 31014010170A FRAME/SL, MANUAL, HOOK-IN  
PI1010088-01 MOTOR, HYDRAULIC (SWING)



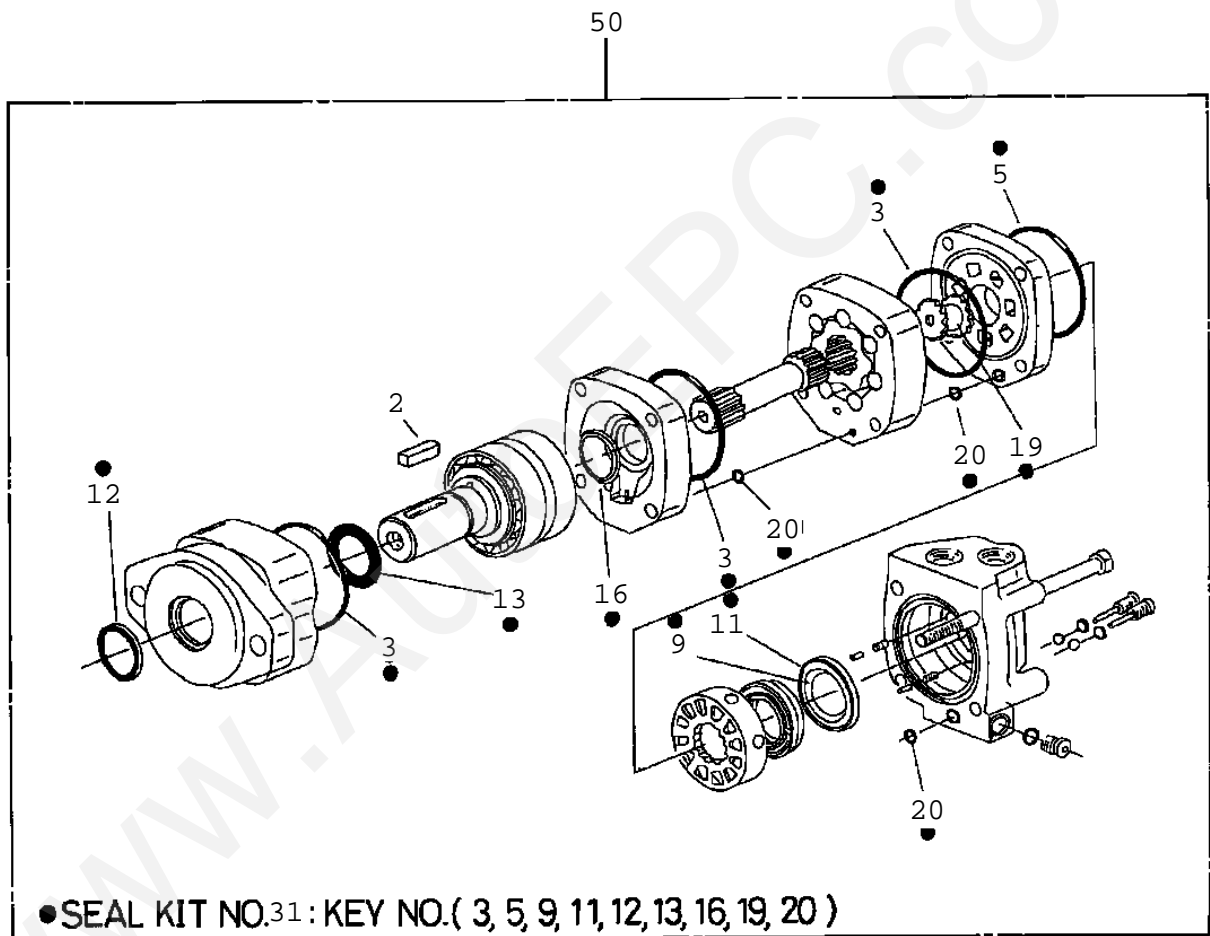
**TM-ZR300 31014010170A FRAME/SL,MANUAL,HOOK-IN**

Pos No.	Parts No	Parts Name	Qty	Unit	Technical Data	Serial No (Star
2	36660025130	BEARING,BALL	1			
4	91001206500	O-RING	1		1A G65	
5	36660025021	COVER (OIL SEAL)	1			
6	36660025140	SEAL,OIL	1			
7	80602110720	RING,RITAINING	1		R72	
14	36661925010	O-RING	1			
16	36661925021	CYLINDER ASSY (LOCK)	1			
19	14125151020	KEY	1			
35	91410001800	RING,BACKUP	1		P18	
36	91002801800	O-RING	1		1B P18	
37	91001102201	O-RING	1		1A P22A	
38	91001102200	O-RING	1		1A P22	
39	91001101800	O-RING	1		1A P18	
50	36662600000	MOTOR,HYDRAULIC (SWING)	1			

www.AutoEPC.com

TM-ZR300 31014010170A FRAME/SL, MANUAL, HOOK-IN  
PI1010117-00 MOTOR, HYDRAULIC

Assembly ITEM MOTOR, HYDRAULIC



**TM-ZR300 31014010170A FRAME/SL,MANUAL,HOOK-IN**

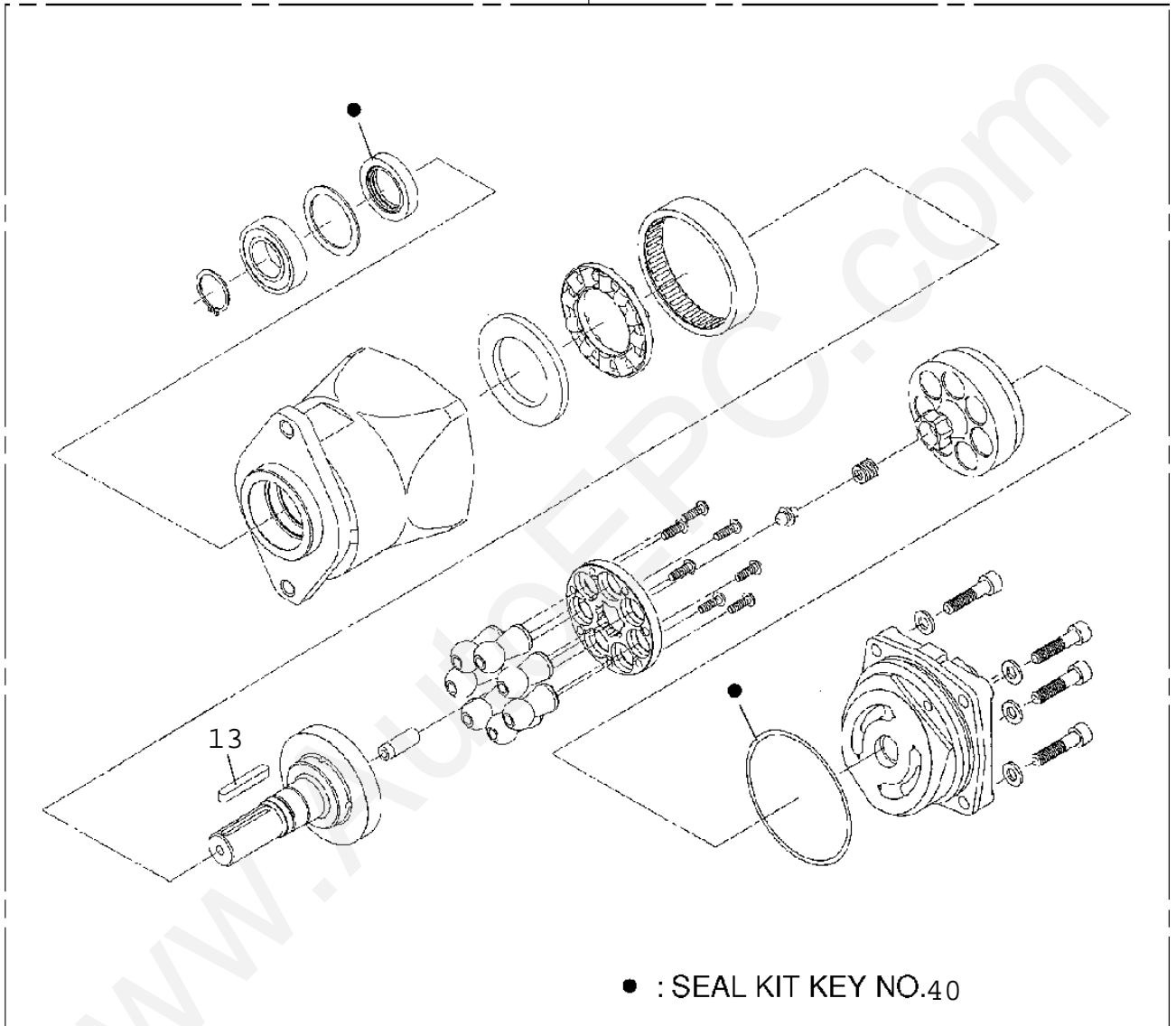
Pos No.	Parts No	Parts Name	Qty	Unit	Technical Data	Serial No (Start)	S
2	36661485030	KEY	1				
3	91000504100	O-RING	3				
5	91000503800	O-RING	1				
9	36660645140	SEAL	1				
11	36660645130	SEAL	1				
12	36662295010	SEAL,DUST	1				
13	36662295020	SEAL,OIL	1				
16	36662295030	SEAL,SHAFT	1				
19	36662655020	GEAR (VALVE DRIVE)	1				
20	91000501100	O-RING	3				
31	36662655010	SEAL KIT	1				
50	36662650000	MOTOR,HYDRAULIC	1				

www.AutoEPC.com



TM-ZR300 31014010170A FRAME/SL, MANUAL, HOOK-IN  
PI1010152-00 MOTOR, HYDRAULIC (WINCH)

50



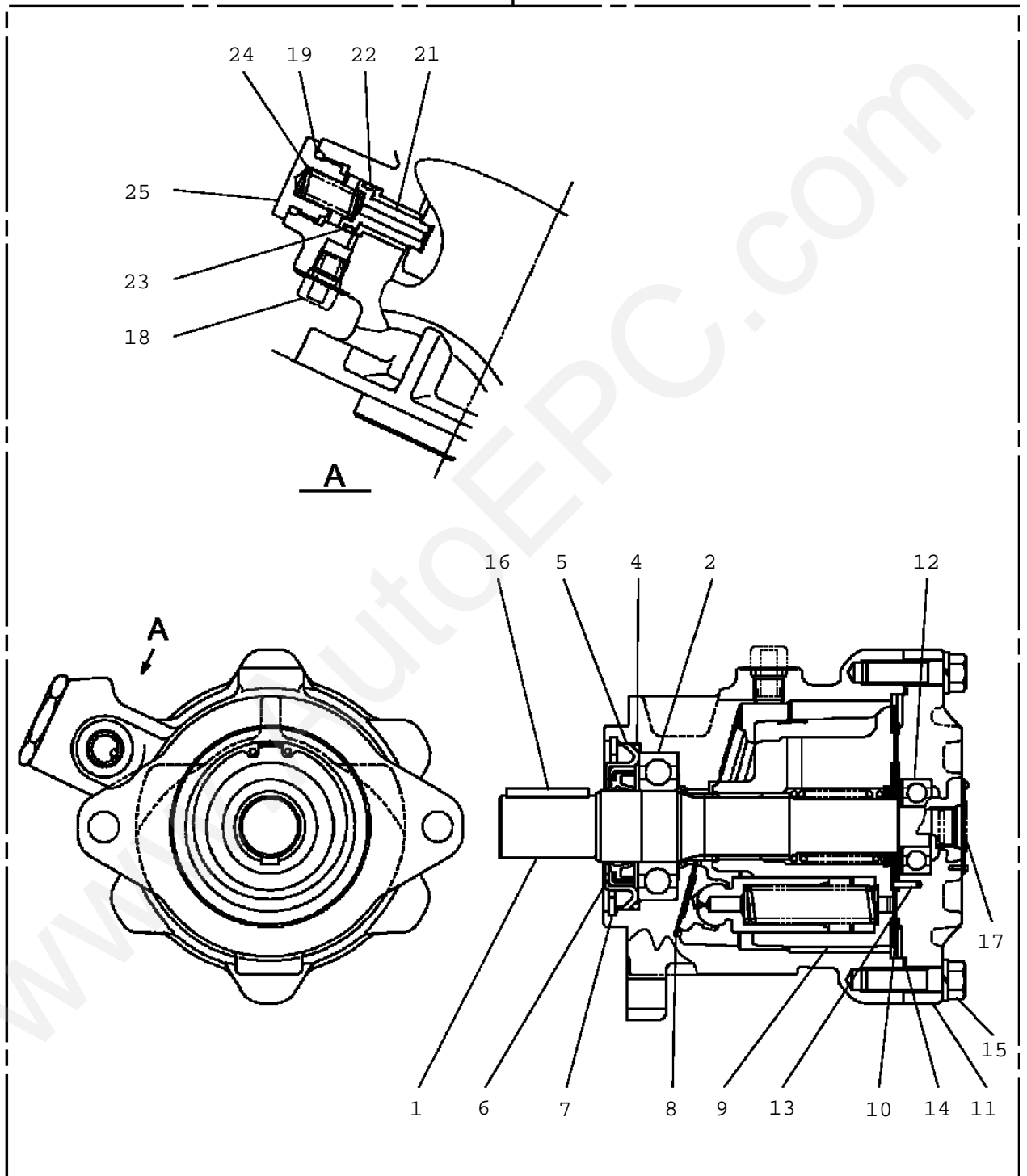
**TM-ZR300 31014010170A FRAME/SL,MANUAL,HOOK-IN**

Pos No.	Parts No	Parts Name	Qty	Unit	Technical Data	Serial No (Star
13	36662185010	KEY (FEATHER)	1			
40	36662415020	SEAL KIT	1			
50	36663100000	MOTOR,HYDRAULIC (WINCH)	1			

www.AutoEPC.com

TM-ZR300 31014010170A FRAME/SL, MANUAL, HOOK-IN  
PI1010223-00 MOTOR, HYDRAULIC

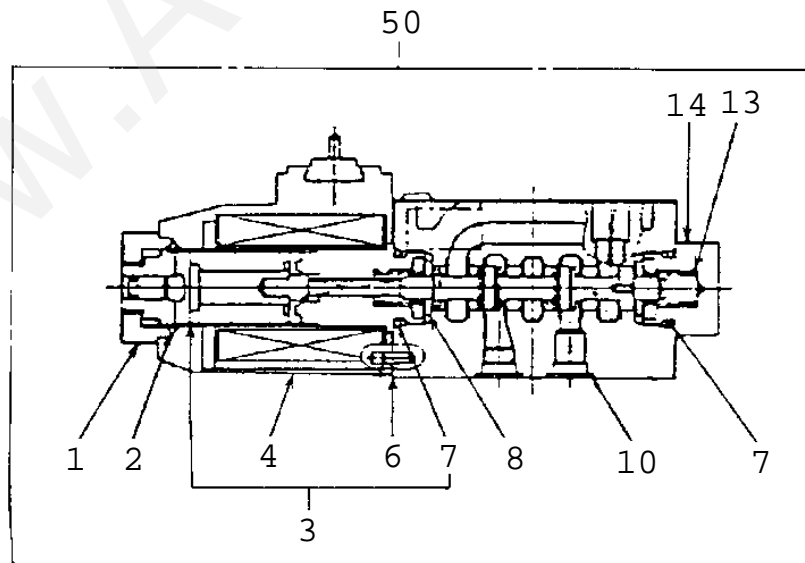
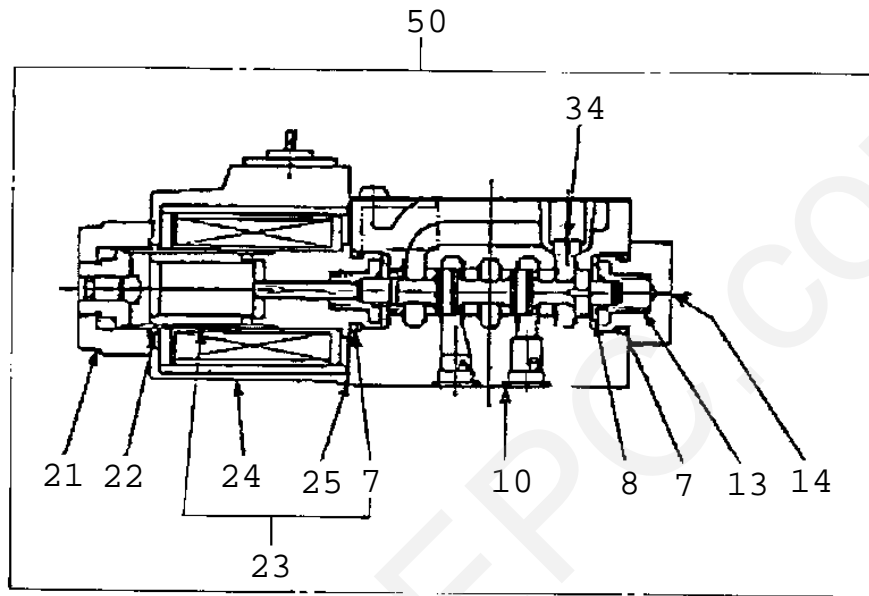
200



**TM-ZR300 31014010170A FRAME/SL, MANUAL, HOOK-IN**

Pos No.	Parts No	Parts Name	Qty	Unit	Technical Data	Serial No (Start
1	36663955100	SHAFT	1			ES7642
2	80500006206	BEARING, BALL	1			
4	91001106500	O-RING	1		1A P65	
5	36660025020	COVER (OIL SEAL)	1			
6	36660025140	SEAL, OIL	1			
7	80601210720	RING, RETAINING	1		R72	
8	36663955020	PLATE, THRUST	1			
9	36663955030	BARREL ASSY (CYLINDER)	1			
10	36663955040	PLATE (VALVE)	1			
11	36661925030	COVER (BOTTOM)	1			
12	80500006203	BEARING, BALL	1			
13	36662355110	PIN	2			
14	36663955050	O-RING	1			
15	36663955060	BOLT	6		M10X35	
16	14125151020	KEY	1			
17	36660125060	PLUG	2		PF3/8	
18	36081315130	PROTECTOR (THREAD)	2			
19	91001102201	O-RING	1		1A P22A	
21	36663955070	PISTON (LOCK)	1			
22	91002801800	O-RING	1		1B P18	
23	91410001800	RING, BACKUP	1		P18	
24	36663955080	SPRING (LOCK)	1			
25	36663955090	CAP (LOCK)	1			
200	36663950000	MOTOR, HYDRAULIC	1			

TM-ZR300 31014010170A FRAME/SL, MANUAL, HOOK-IN  
PI1120142-01 VALVE, SOLENOID

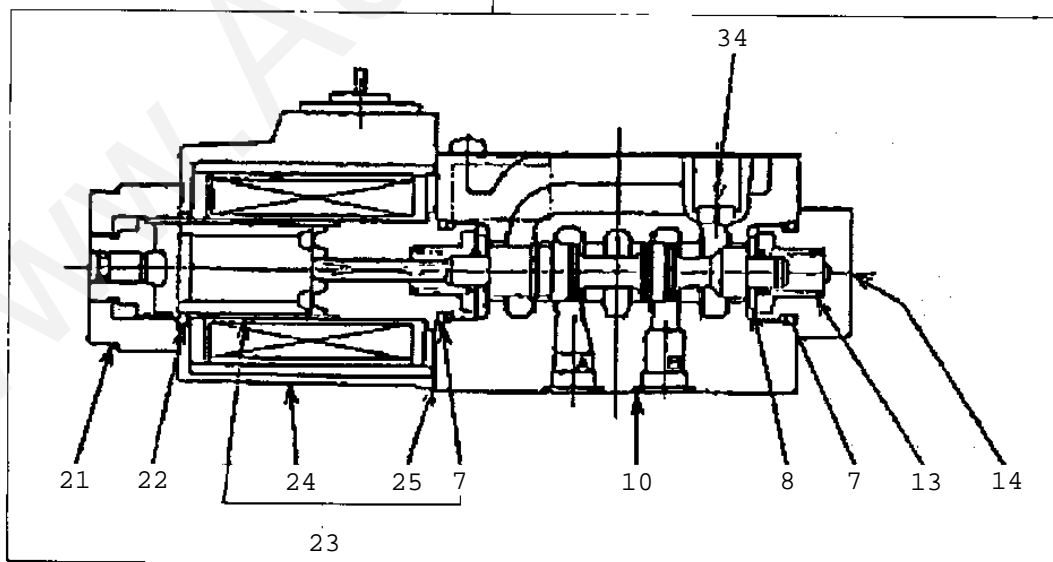
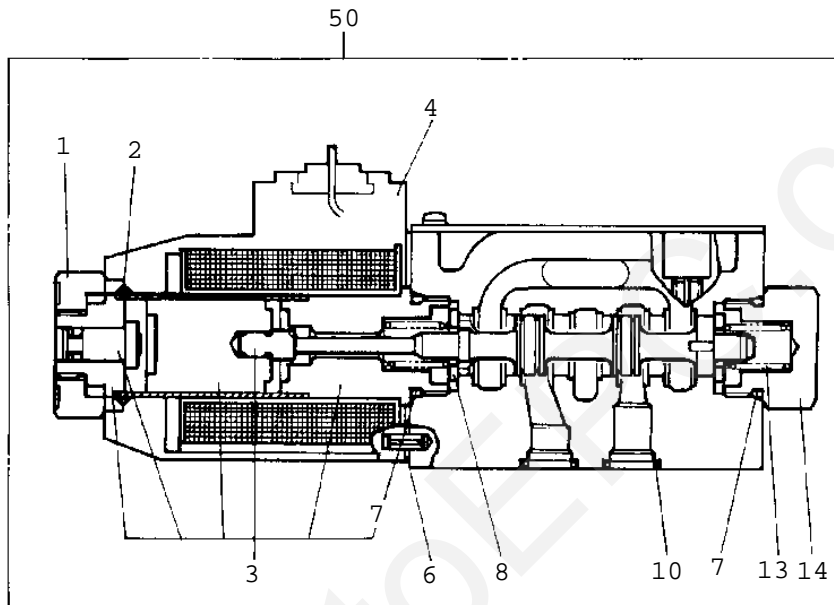


**TM-ZR300 31014010170A FRAME/SL, MANUAL, HOOK-IN**

Pos No.	Parts No	Parts Name	Qty	Unit	Technical Data	Serial No (Start)
7	36642765050	O-RING	2			
8	36642765060	WASHER (CENTER)	2			
10	91000501200	O-RING	4			
13	36643435020	SPRING	2			
14	36642765070	PLUG	1			
21	36643435030	NUT	1			
22	91000501900	O-RING	1			
23	36643435050	CORE ASSY (SOLENOID)	1			
24	36645925020	COIL,SOLENOID	1			
25	36643435070	PACKING	1			
34	36643435040	PIN, SPRING	4			
50	36645920000	VALVE ,SOLENOID	1			

www.AutoEPC.com

TM-ZR300 31014010170A FRAME/SL, MANUAL, HOOK-IN  
PI1120241-00 VALVE, SOLENOID



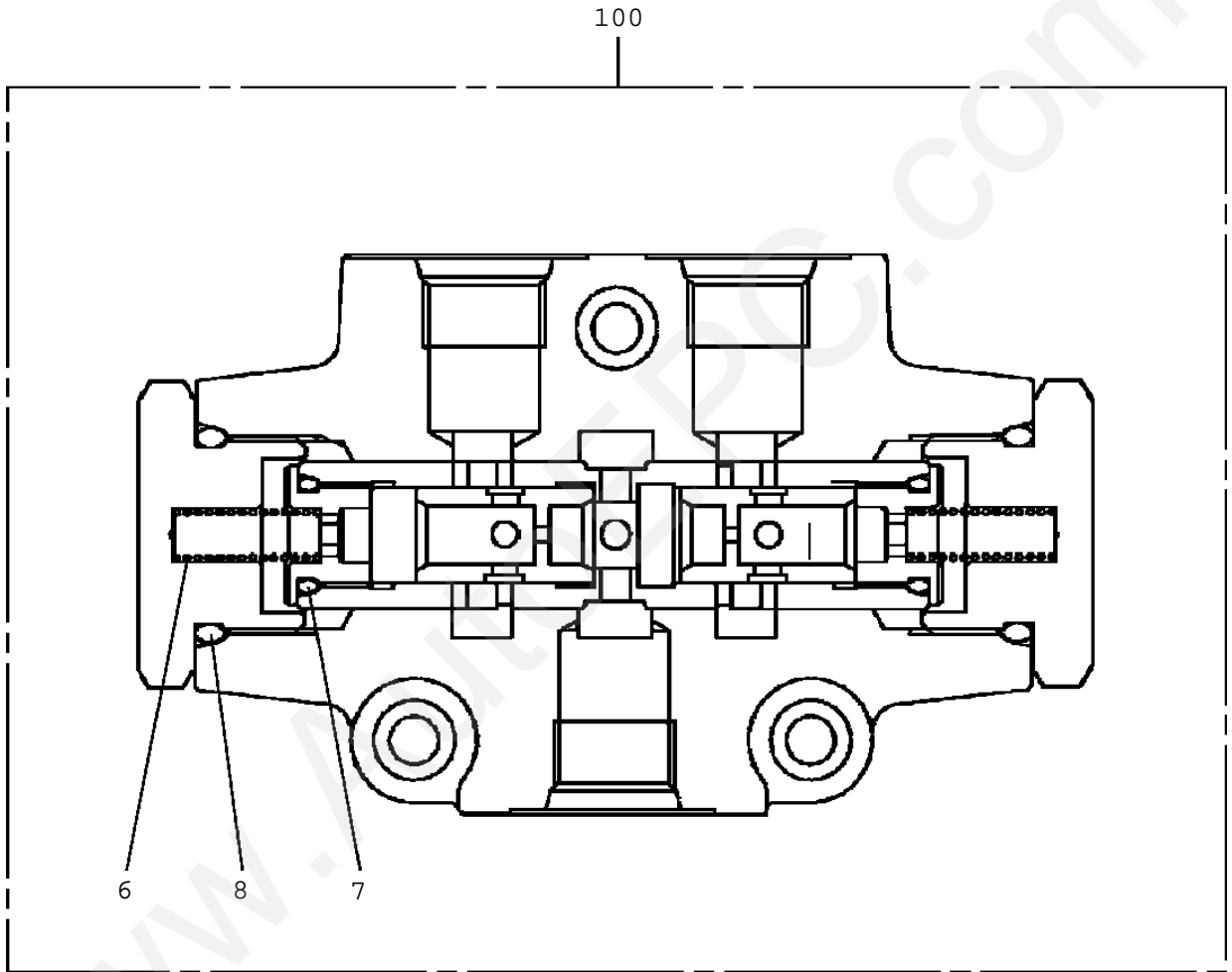
**TM-ZR300 31014010170A FRAME/SL, MANUAL, HOOK-IN**

Pos No.	Parts No	Parts Name	Qty	Unit	Technical Data	Serial No (Start)
7	36642765050	O-RING	2			
8	36642765060	WASHER (CENTER)	2			
10	91000501200	O-RING	4			
13	36642765080	SPRING	2			
14	36642765070	PLUG	1			
21	36643435030	NUT	1			
22	91000501900	O-RING	1			
23	36642765090	CORE ASSY (SOLENOID)	1			
24	36643435060	COIL, SOLENOID	1			
25	36643435070	PACKING	1			
34	36643435040	PIN, SPRING	4			
50	36642760000	VALVE, SOLENOID	1			

www.AutoEPC.com



TM-ZR300 31014010170A FRAME/SL, MANUAL, HOOK-IN  
PI1160047-00 VALVE, FLOW CONTROL

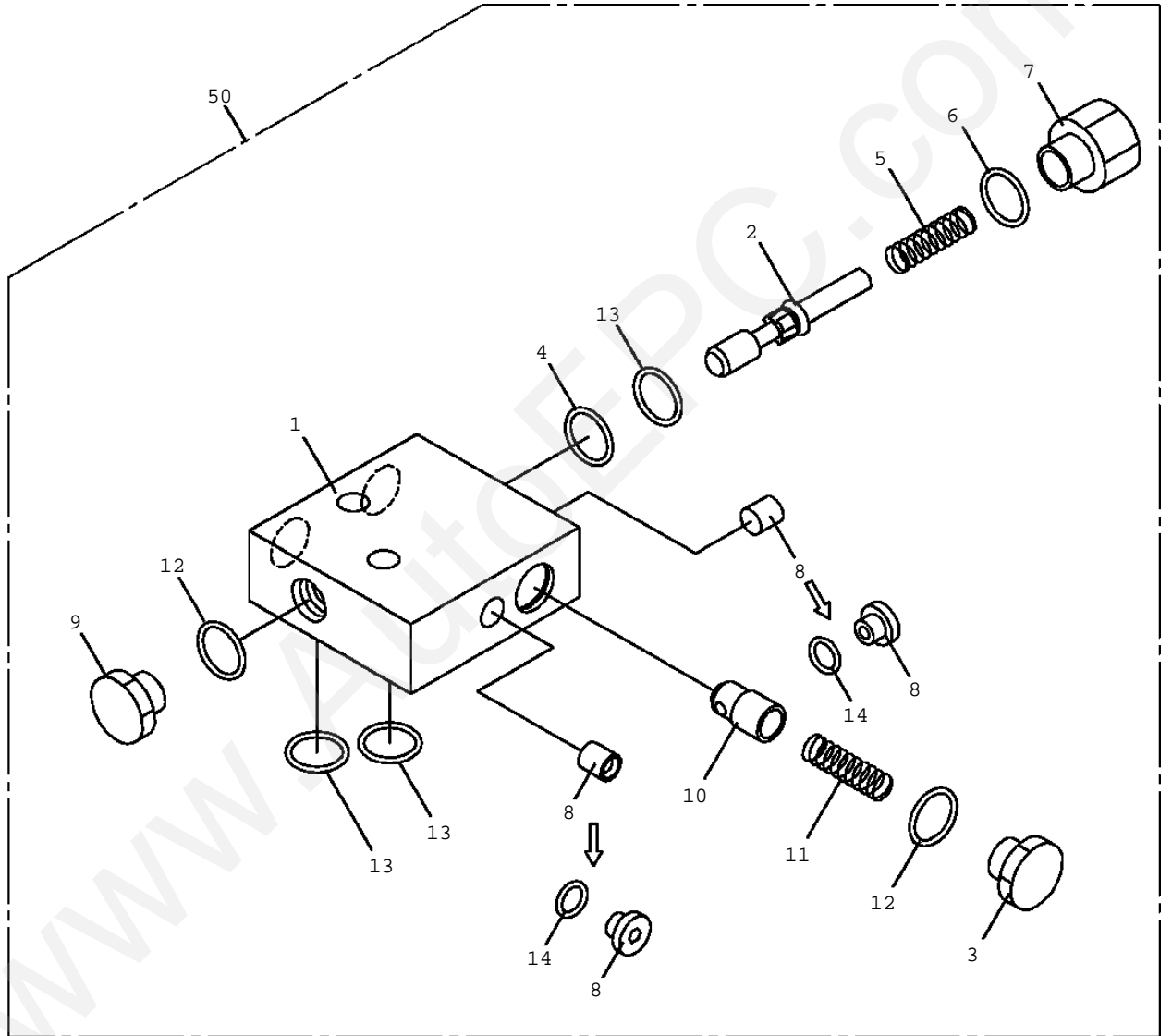


**TM-ZR300 31014010170A FRAME/SL, MANUAL, HOOK-IN**

Pos No.	Parts No	Parts Name	Qty	Unit	Technical Data	Serial No (Start)	S
6	36611675010	SPRING	2				
7	36611675020	O-RING	2		P12		
8	36611675030	O-RING	2		P24		
100	36611670000	VALVE, FLOW CONTROL	1				

www.AutoEPC.com

TM-ZR300 31014010170A FRAME/SL, MANUAL, HOOK-IN  
PI1250126-01 VALVE, COUNTERBALANCE

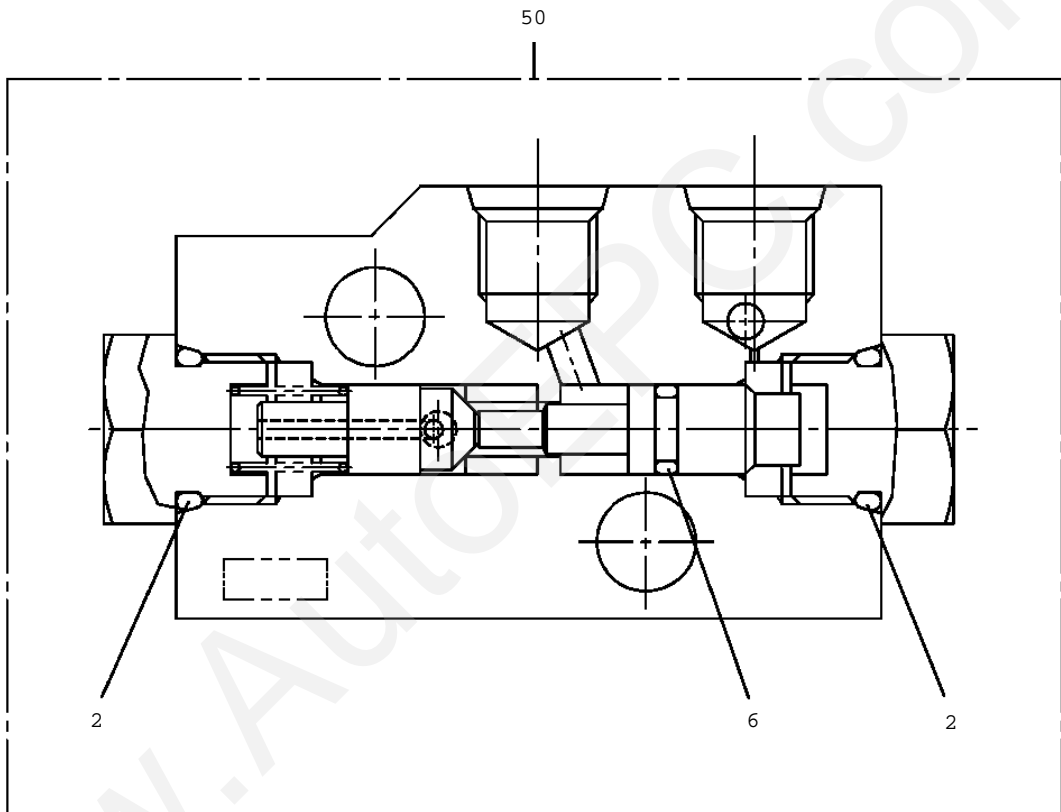


**TM-ZR300 31014010170A FRAME/SL, MANUAL, HOOK-IN**

Pos No.	Parts No	Parts Name	Qty	Unit	Technical Data	Serial No (Start)
1	36605180101	BODY	1			
	36605180400	BODY	1			ES7367
2	36605200201	SPOOL	1			
3	36605200030	PLUG	1			
4	91411001100	RING, BACKUP	1			
5	37001201750	SPRING	1			
6	91002801800	O-RING	1		1B P18	
7	36605200010	PLUG	1			
8	82441810100	PLUG	2			
9	36605180020	PLUG	1			
10	36605200300	POPPET	1			
11	37001201760	SPRING	1			
12	91002801400	O-RING	2		1B P14	
13	91002801100	O-RING	3		1B P11	
14	91002800800	O-RING	2		1B P8	ES7367
28	80316100010	PLUG	2		GPF1/8	ES7367
50	36605180001	VALVE , COUNTERBALANCE	1			

www.AutoEPC.com

TM-ZR300 31014010170A FRAME/SL, MANUAL, HOOK-IN  
PI1280051-00 VALVE, PILOT CHECK

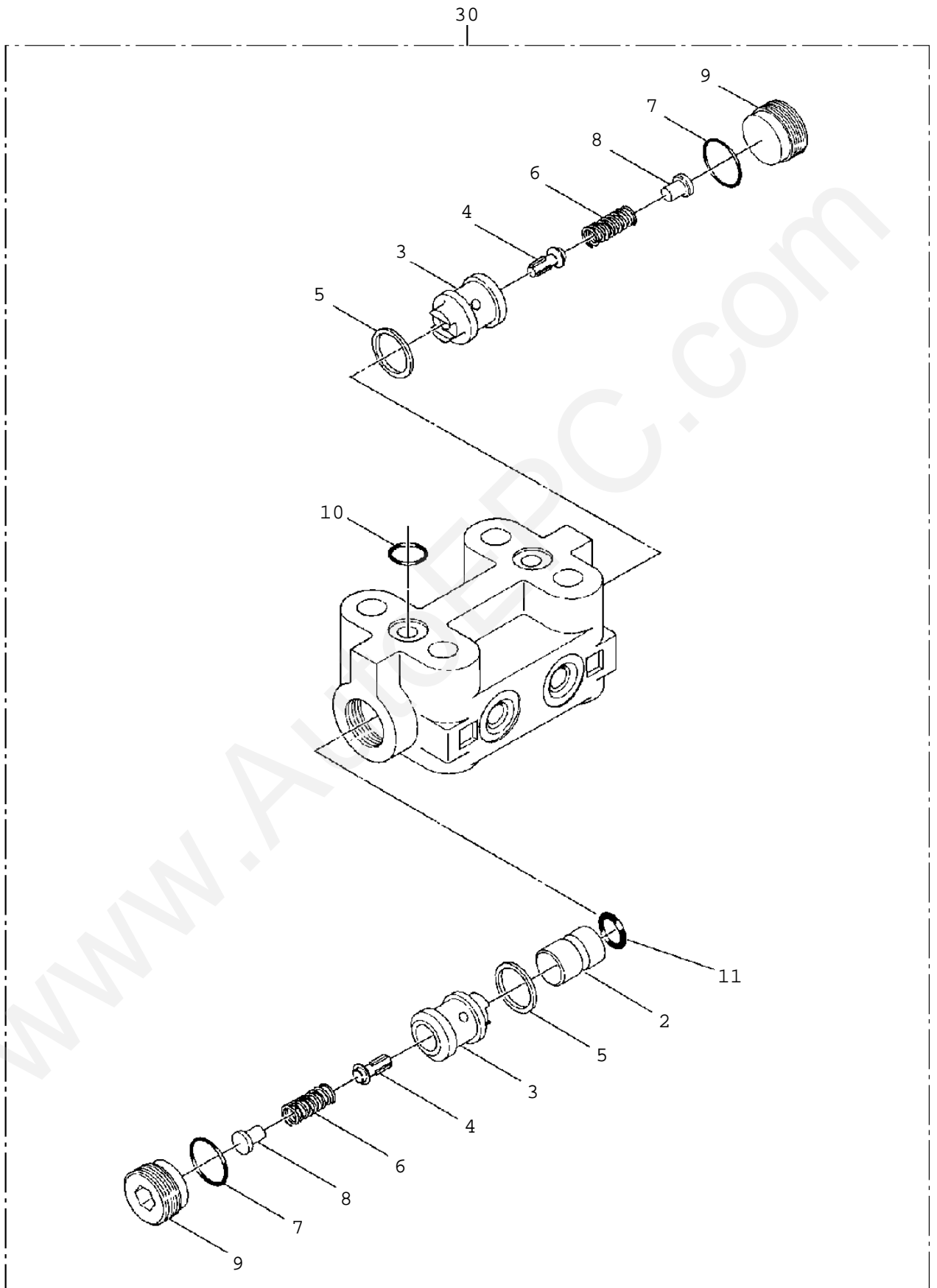


**TM-ZR300 31014010170A FRAME/SL,MANUAL,HOOK-IN**

Pos No.	Parts No	Parts Name	Qty	Unit	Technical Data	Serial No (Start)	Se
2	91002801400	O-RING	2		1B P14		
6	91002800700	O-RING	1		1B P7		
50	36623930000	VALVE,PILOT CHECK	1				

www.AutoEPC.com

TM-ZR300 31014010170A FRAME/SL, MANUAL, HOOK-IN  
PI1280067-00 VALVE, PILOT CHECK



**TM-ZR300 31014010170A FRAME/SL, MANUAL, HOOK-IN**

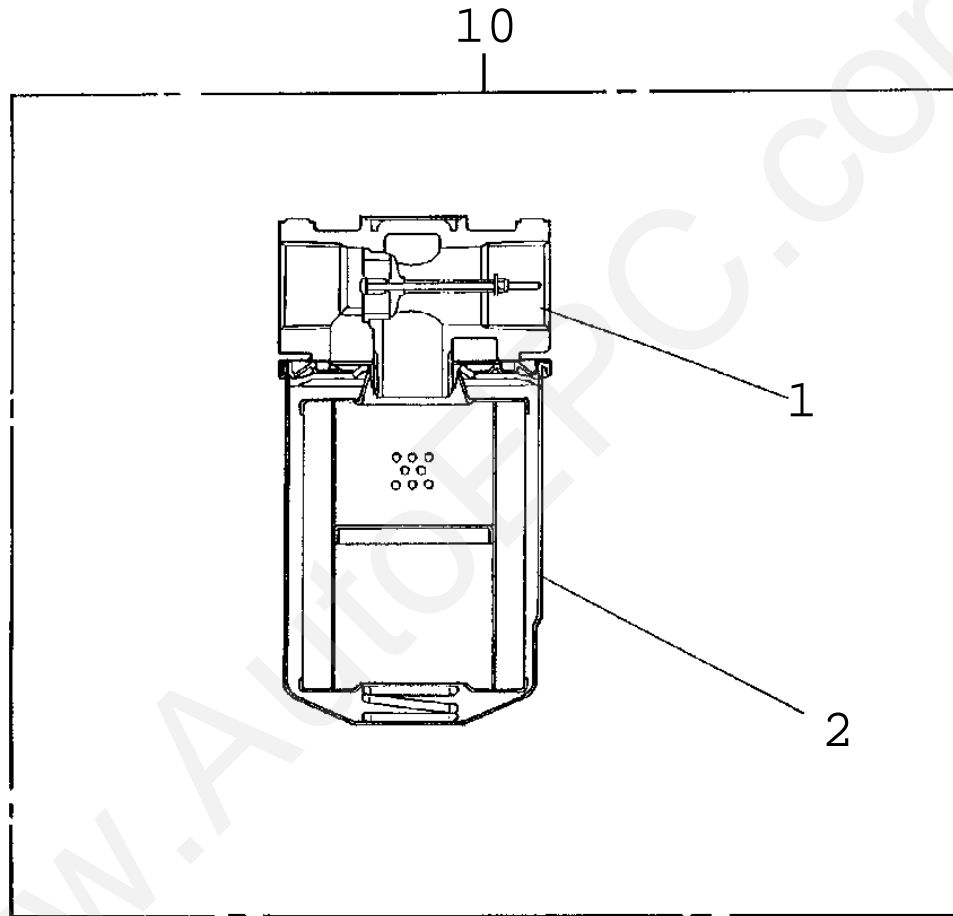
Pos No.	Parts No	Parts Name	Qty	Unit	Technical Data	Serial No (Start)	Se
2	36624205200	PISTON	1				
3	36624690100	HOUSING	2				
4	36624205400	VALVE, PILOT	2				
5	50815054503	PACKING	2				
6	50815054603	SPRING	2				
7	91002801800	O-RING	2		1B P18		
8	50815054703	PIN (STOP)	2				
9	36623835900	PLUG	2				
10	91002801200	O-RING	2		1B P12		
11	36623825200	CAP (SEAL)	1				
30	36624690000	VALVE, PILOT CHECK	1				

www.AutoEPC.com



TM-ZR300 31014010170A FRAME/SL, MANUAL, HOOK-IN  
PI1300061-02 FILTER, OIL (YAMASHIN)

Assembly Name FILTER, OIL

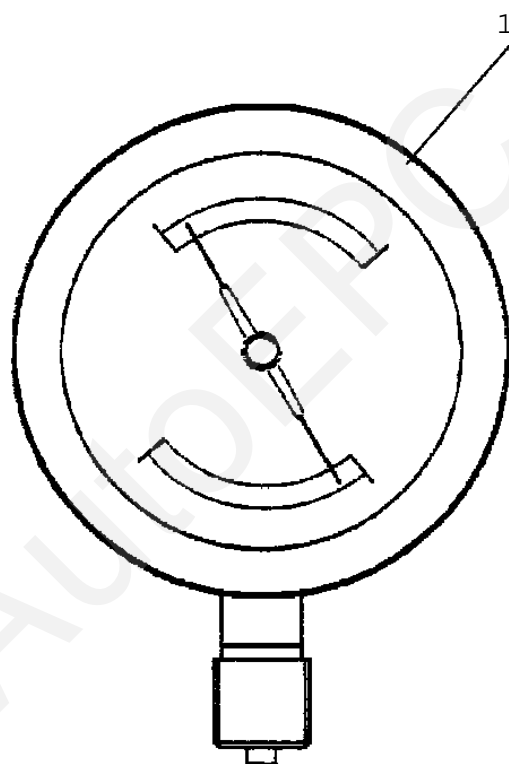


**TM-ZR300 31014010170A FRAME/SL,MANUAL,HOOK-IN**

Pos No.	Parts No	Parts Name	Qty	Unit	Technical Data	Serial No (Start)
1	36672285010	HEAD ASSY	1			
2	36670109511	FILTER,CARTRIDGE	1			
10	36672280000	FILTER,OIL (YAMASHIN)	1			

www.AutoEPC.com

TM-ZR300 31014010170A FRAME/SL, MANUAL, HOOK-IN  
PI1440035-01 METER, LOAD (2.9TON KUSABA/ENG.& JAPANESE)



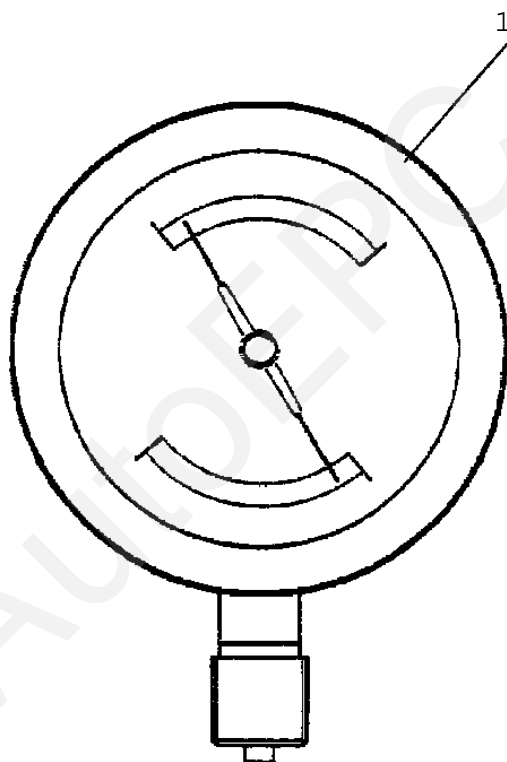
www.AUTOPARTS.com

**TM-ZR300 31014010170A FRAME/SL,MANUAL,HOOK-IN**

Pos No.	Parts No	Parts Name	Qty	Unit	Technical Dat
1	36682150000	METER,LOAD (2.9TON KUSABA/ENG.& JAPANESE)	1		

www.AutoEPC.com

TM-ZR300 31014010170A FRAME/SL, MANUAL, HOOK-IN  
PI1440036-01 METER, LOAD (2.9TON NAGANO/ENG.& JAPANESE)

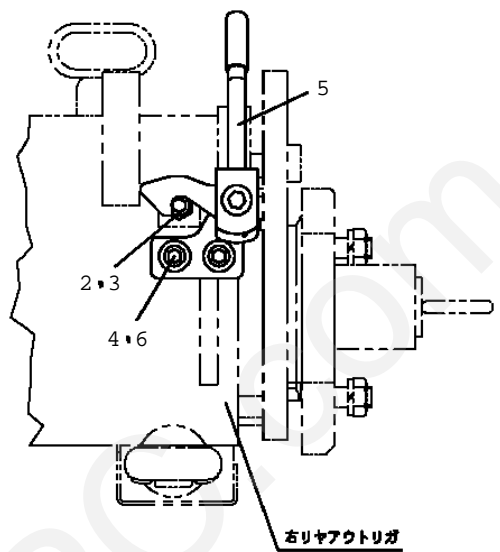
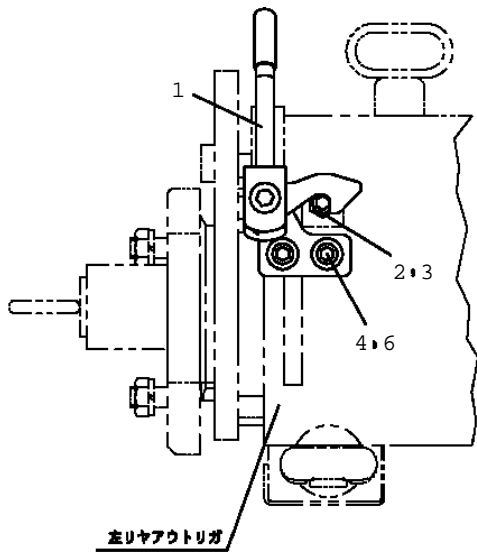


**TM-ZR300 31014010170A FRAME/SL,MANUAL,HOOK-IN**

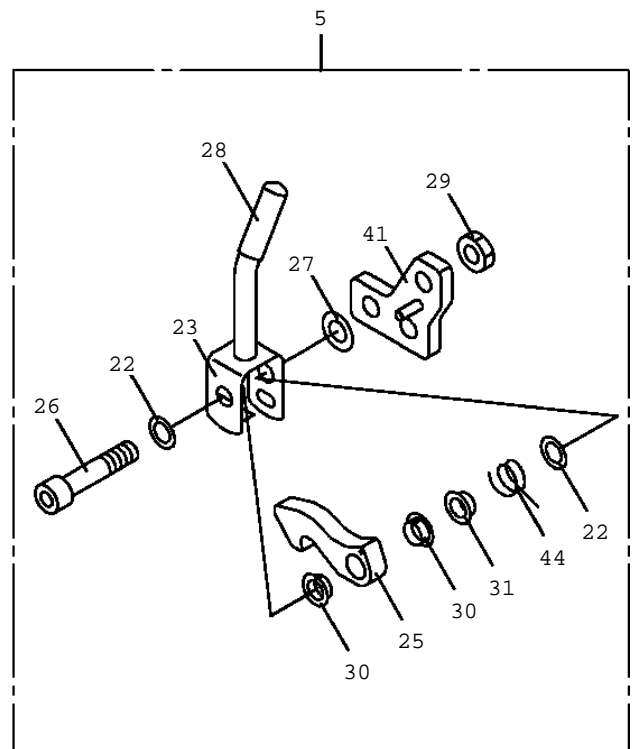
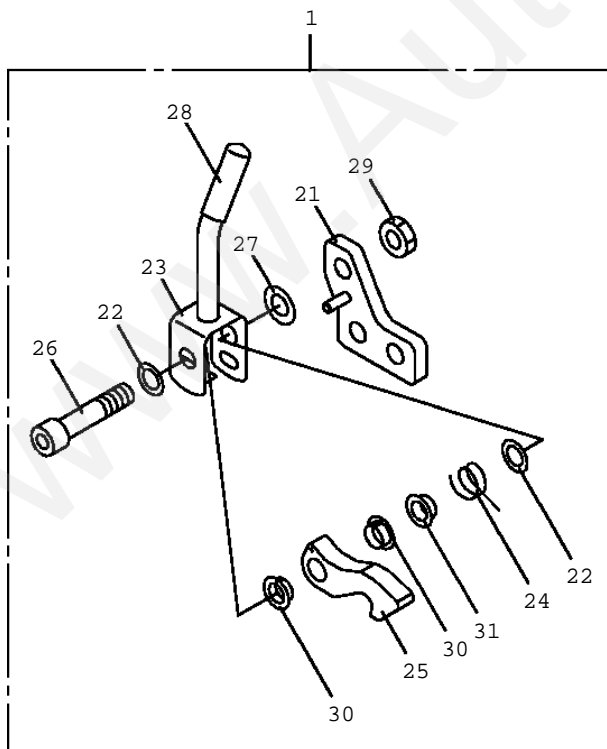
Pos No.	Parts No	Parts Name	Qty	Unit	Technical Dat
1	36682160000	METER,LOAD (2.9TON NAGANO/ENG.& JAPANESE)	1		

www.AutoEPC.com

TM-ZR300 31014010170A FRAME/SL, MANUAL, HOOK-IN  
 PJ3410034-01 LOCK ASSY



車両後端より見る

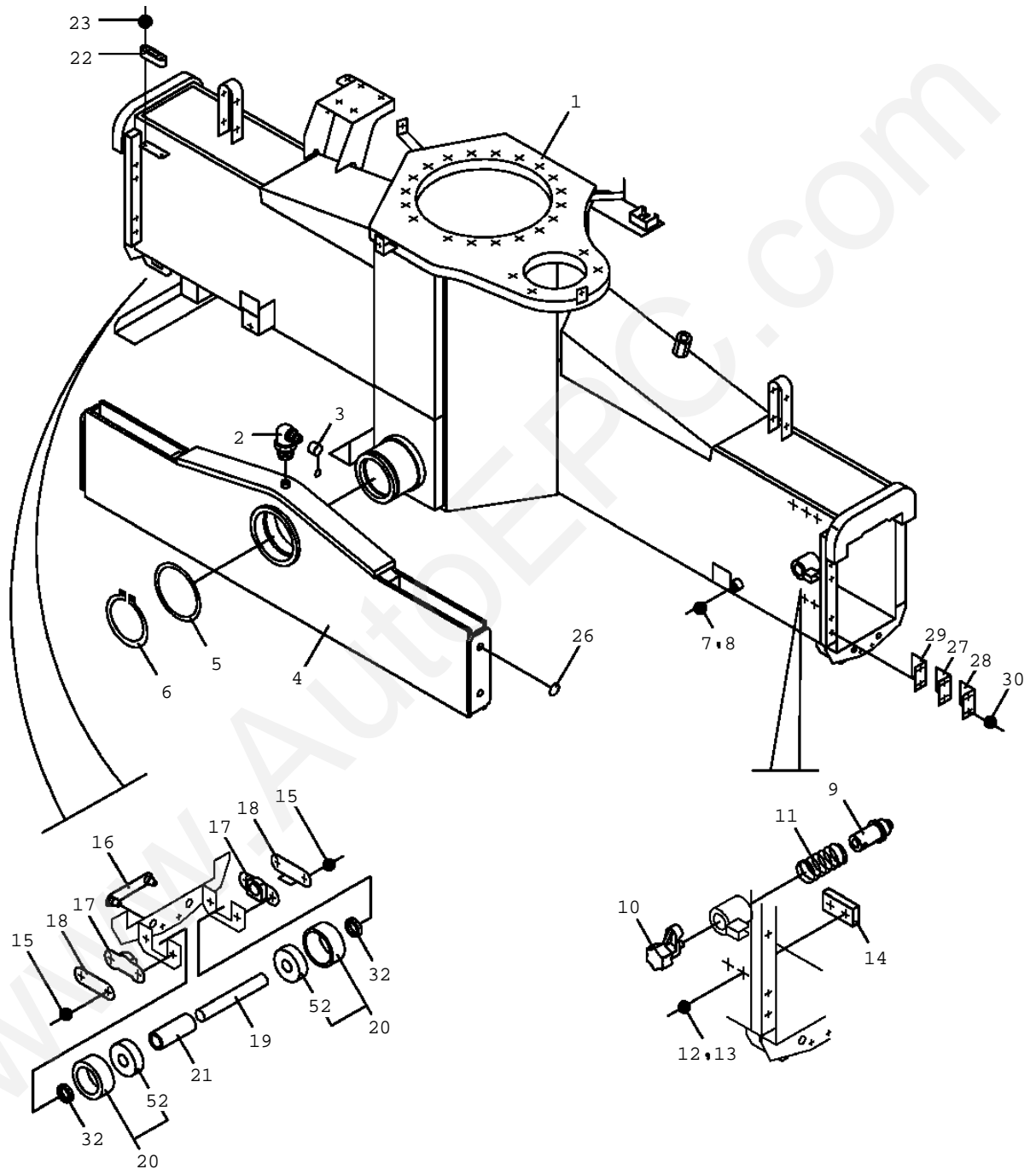


**TM-ZR300 31014010170A FRAME/SL, MANUAL, HOOK-IN**

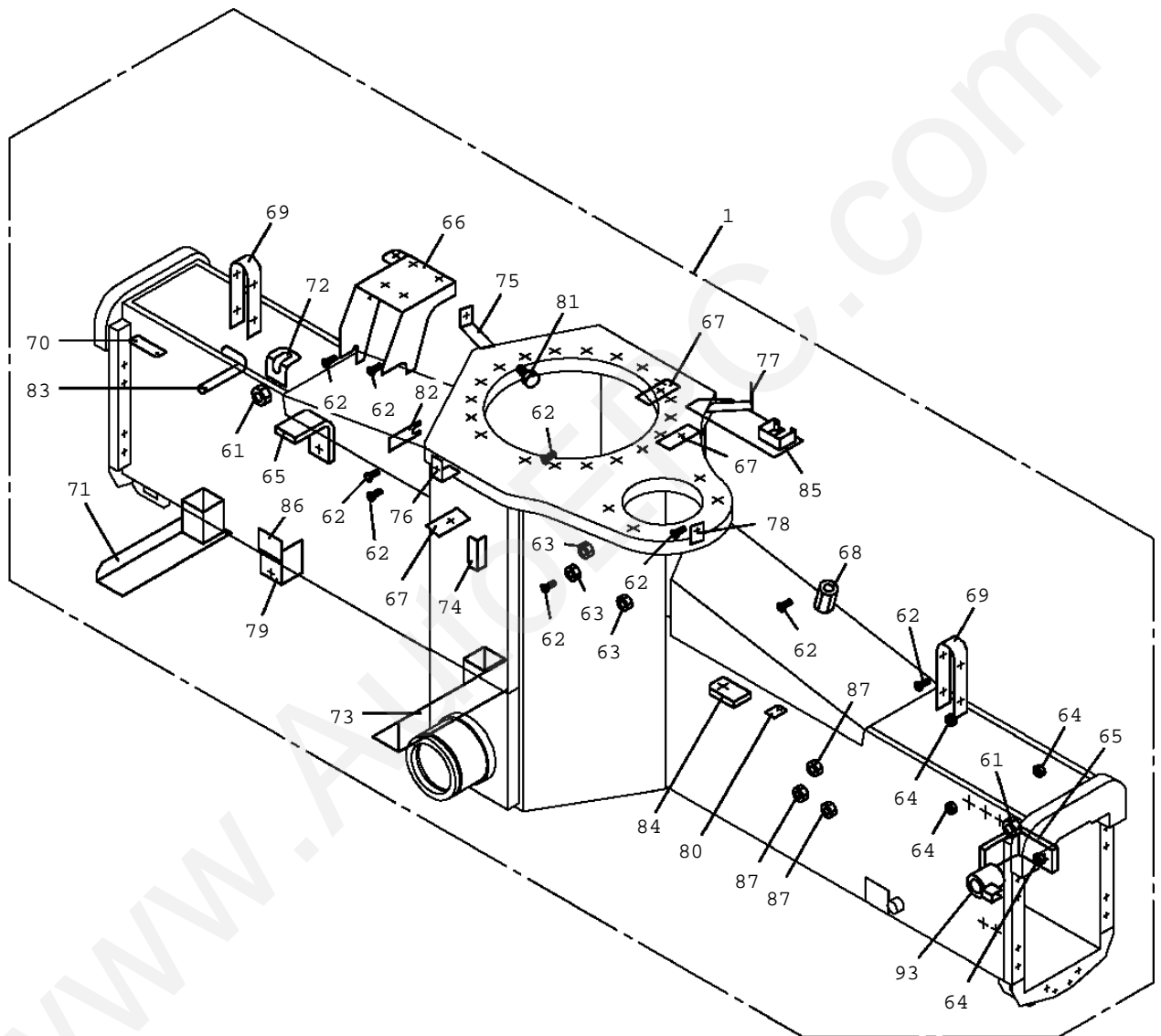
Pos No.	Parts No	Parts Name	Qty	Unit	Technical Data	Serial No (Start)
1	31950302001	LOCK ASSY	1			
	31950302002	LOCK ASSY	1			ES9080
	31950302003	LOCK ASSY	1			KA6223
	31950472000	LOCK ASSY	1			KA9835
2	90203201000	NUT	2		M10	
3	90172110055	BOLT, HEXAGON SOCKET	2		M10X55	
4	90172110020	BOLT, HEXAGON SOCKET	4		M10X20	
5	31950332001	LOCK ASSY	1			
	31950332002	LOCK ASSY	1			ES9080
	31950332003	LOCK ASSY	1			KA6223
	31950492000	LOCK ASSY	1			KA9835
6	90303071001	WASHER, PLAIN	4		10	
21	31950300401	SUPPORT	1			
	31950300460	SUPPORT (STEEL CAST)	1			ES9080
	31950300402	SUPPORT	1			ES9080
22	37000537270	PLATE	2			
	37000537270	PLATE	2			
	37000537270	PLATE	2			ES9080
	37000537270	PLATE	2			KA6223
	37000537270	PLATE	2			KA9835
23	31950300501	LEVER	1			
	31950300501	LEVER	1			
	31950300501	LEVER	1			ES9080
	31950300501	LEVER	1			KA6223
	31950491100	LEVER	2			KA9835
24	37001400341	SPRING	1			
25	31950300601	HOOK	1			
	31950300601	HOOK	1			
	31950300601	HOOK	1			ES9080
	31950300602	HOOK	2			KA6223
26	37001510080	BOLT, HEXAGON SOCKET	1			
	37001510080	BOLT, HEXAGON SOCKET	1			
	37001510080	BOLT, HEXAGON SOCKET	1			ES9080
	37001510080	BOLT, HEXAGON SOCKET	1			KA6223
	37001510080	BOLT, HEXAGON SOCKET	1			KA9835
27	90303071201	WASHER, PLAIN	1		12	
	90303071201	WASHER, PLAIN	1		12	
	90303071201	WASHER, PLAIN	1		12	ES9080
	90303071201	WASHER, PLAIN	1		12	KA6223
	90303071201	WASHER, PLAIN	1		12	KA9835
28	82400000527	CAP	1			
	82400000527	CAP	1			
	82400000527	CAP	1			ES9080
	82400000527	CAP	1			KA6223
	82400000527	CAP	1			KA9835
29	90203201200	NUT	1		M12	
	90203201200	NUT	1		M12	
	90203201200	NUT	1		M12	ES9080
	90203201200	NUT	1		M12	KA6223
	90203201200	NUT	1		M12	KA9835
30	37000400510	BEARING, PLAIN	2			
	37000400510	BEARING, PLAIN	2			
	37000400510	BEARING, PLAIN	2			ES9080
	37000400510	BEARING, PLAIN	2			KA6223
	37000400510	BEARING, PLAIN	2			KA9835
31	80824001206	BEARING, PLAIN	1			
	80824001206	BEARING, PLAIN	1			
	80824001206	BEARING, PLAIN	1			ES9080
	80824001206	BEARING, PLAIN	1			KA6223
	80824001206	BEARING, PLAIN	1			KA9835
41	31950330701	SUPPORT	1			
	31950330720	SUPPORT (STEEL CAST)	1			ES9080
	31950330702	SUPPORT	1			ES9080
44	37001400351	SPRING	1			



TM-ZR300 31014010170A FRAME/SL, MANUAL, HOOK-IN  
PK1011162-00 FRAME



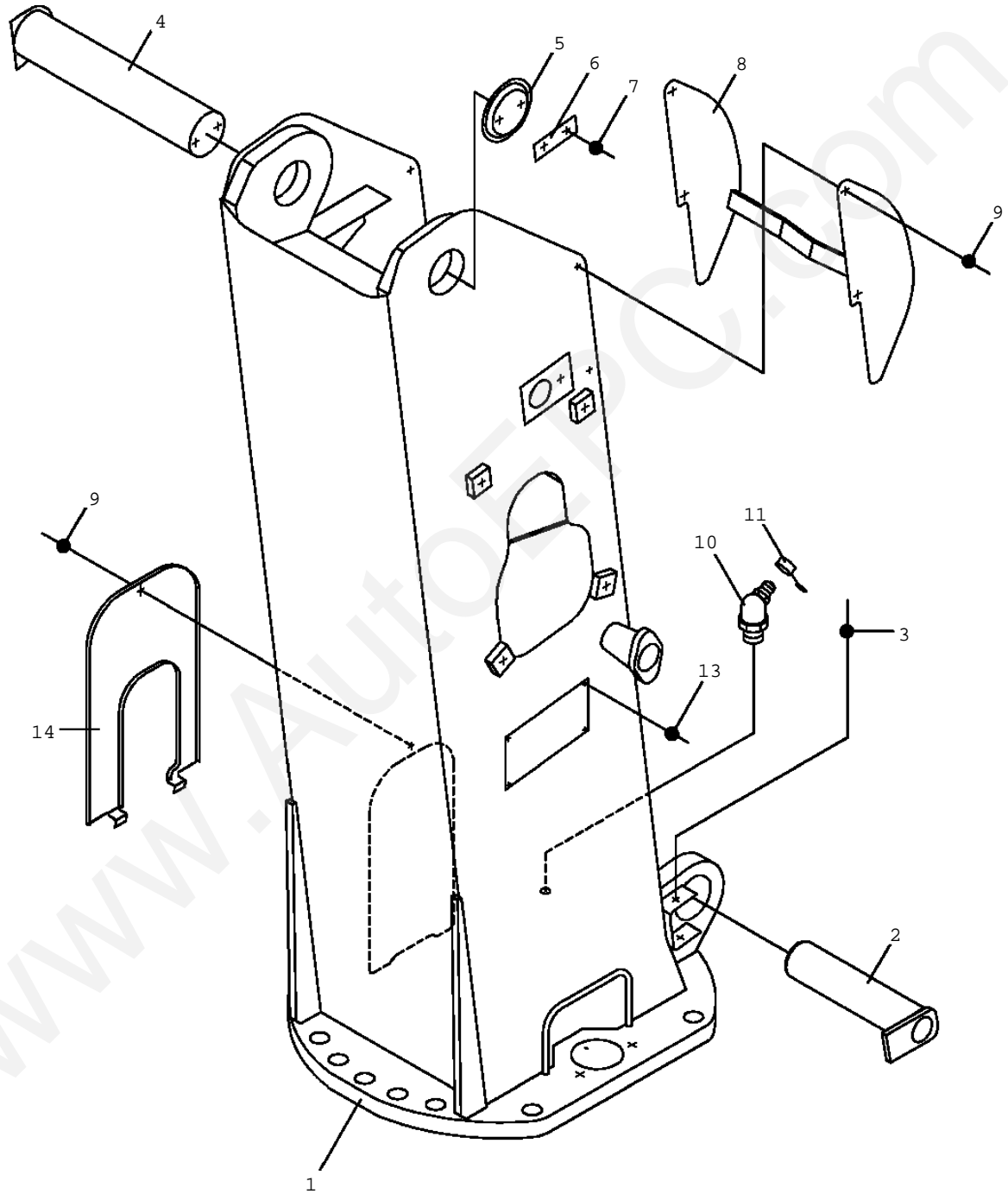
TM-ZR300 31014010170A FRAME/SL, MANUAL, HOOK-IN  
PK1011162-00 FRAME



**TM-ZR300 31014010170A FRAME/SL, MANUAL, HOOK-IN**

Pos No.	Parts No	Parts Name	Qty	Unit	Technical Data	Serial No (Start)
1	31623160102	FRAME ASSY	1			
2	82459103000	NIPPLE, GREASE	1		C-PT1/8	
3	82400000459	CAP	1			
4	31623080200	FRAME	1			
5	37000520580	PLATE	1			
6	80601110950	RING, RITAINING	1		S95	
7	90203201600	NUT	2		M16	
8	90101216045	BOLT	2		M16X45	
9	31621962301	PIN	2			
10	31621962800	KNOB	2			
11	37001201770	SPRING	2			
12	90172110016	BOLT, HEXAGON SOCKET	4		M10X16	
13	90302041001	WASHER, SPRING	4		10	
14	37000571910	PLATE	2			
15	90186208010	BOLT, FLANGE	8		M8X10	
16	31623080300	INSULATOR	2			
17	31621962100	SUPPORT	4			
18	31621962200	PLATE	N		T=0.5	
19	37000161010	PIN	2			
20	37001111050	ROLLER ASSY	4			
21	37000314010	SPACER	2			
22	82400000499	LEVEL	1		SM250	
23	80175803020	SCREW, MACHINE	2		M3X20	
26	82400000475	PLATE	4			
27	31622202200	SHIM	4		T=1.6	
28	31622042200	SPACER	4			
29	31622042300	SHIM	N		T=0.5	
30	90186208020	BOLT, FLANGE	8		M8X20	
32	37000314020	SPACER	4			
52	80516006302	BEARING, BALL	4			
61	37001601060	NUT	2			
62	90190000008	BOLT, STUD	9		M6X20	
63	37001600860	NUT	3		M8X15	
64	37001602100	NUT	4		M6	
65	31622072000	SUPPORT	2			
66	31623152100	SUPPORT	1			
67	37000572550	PLATE	3			
68	37001600920	NUT	1		M10	
69	31621964100	SUPPORT	2			
70	37000574930	PLATE	1			
71	31623162100	SUPPORT	1			
72	31621964700	SUPPORT	1			
73	31623142200	SUPPORT	1			
74	31623142300	SUPPORT	1			
75	31621963700	SUPPORT	1			
76	31621963900	SUPPORT	1			
77	31621963800	SUPPORT	1			
78	31620580250	PLATE	1			
79	31621964400	SUPPORT	1			
80	31623152800	PLATE	1			
81	90101208012	BOLT	1		M8X12	
82	31623082300	PLATE	1			
83	31622072200	SUPPORT	1			
84	31623152600	PLATE	1			
85	31623152700	SUPPORT	1			
86	37000573420	PLATE	1			
87	37001602170	NUT	3			
93	31621963300	SUPPORT	2			

TM-ZR300 31014010170A FRAME/SL, MANUAL, HOOK-IN  
PK1100453-00 SWING FRAME

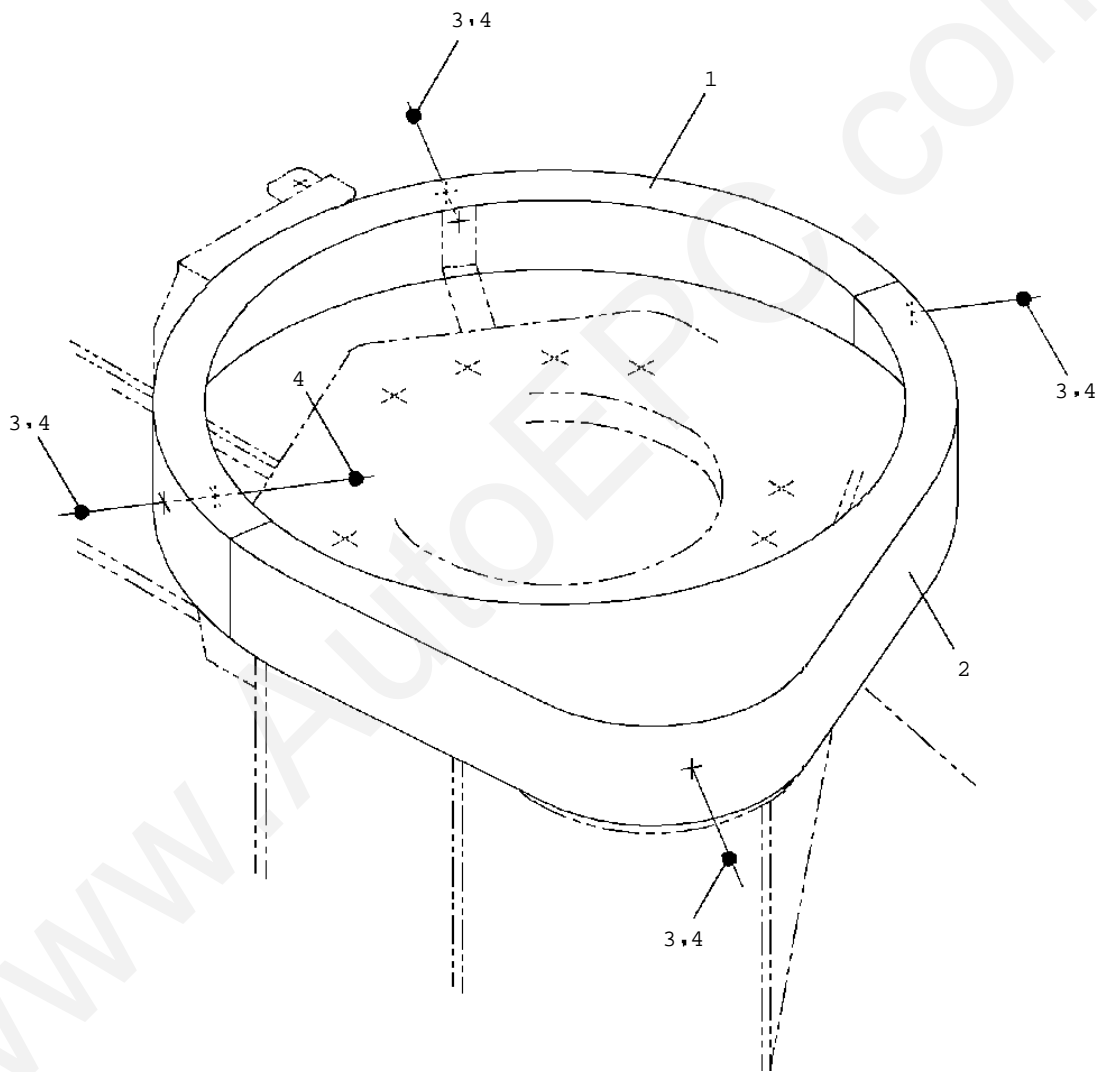


**TM-ZR300 31014010170A FRAME/SL,MANUAL,HOOK-IN**

Pos No.	Parts No	Parts Name	Qty	Unit	Technical Data	Serial No (Start)	Seri
1	31230889510	POST	1				
2	37000205240	PIN (MACHINING)	1				
	37000202780	PIN (WELDING)	1				
3	80136363080	PIN,SPLIT	1		6.3X80		
4	37000202270	PIN (WELDING)	1				
	37000205260	PIN (MACHINING)	1				
5	31230412000	COVER	1				
6	37000527860	PLATE	1				
7	90101210016	BOLT	2		M10X16		
8	31230880200	COVER	1				
9	90186208010	BOLT,FLANGE	5		M8X10		
10	82458202000	NIPPLE,GREASE	1		B-TYPE PT1/8		
11	82400000459	CAP	1				
13	90451700100	SCREW,TAPPING	4		M4X6.4		
14	31230883000	COVER (IRON)	1				
	31230883500	COVER (PLASTIC)	1				

www.AutoEPC.com

TM-ZR300 31014010170A FRAME/SL, MANUAL, HOOK-IN  
PK1330102-00 COVER (SWING BEARING)

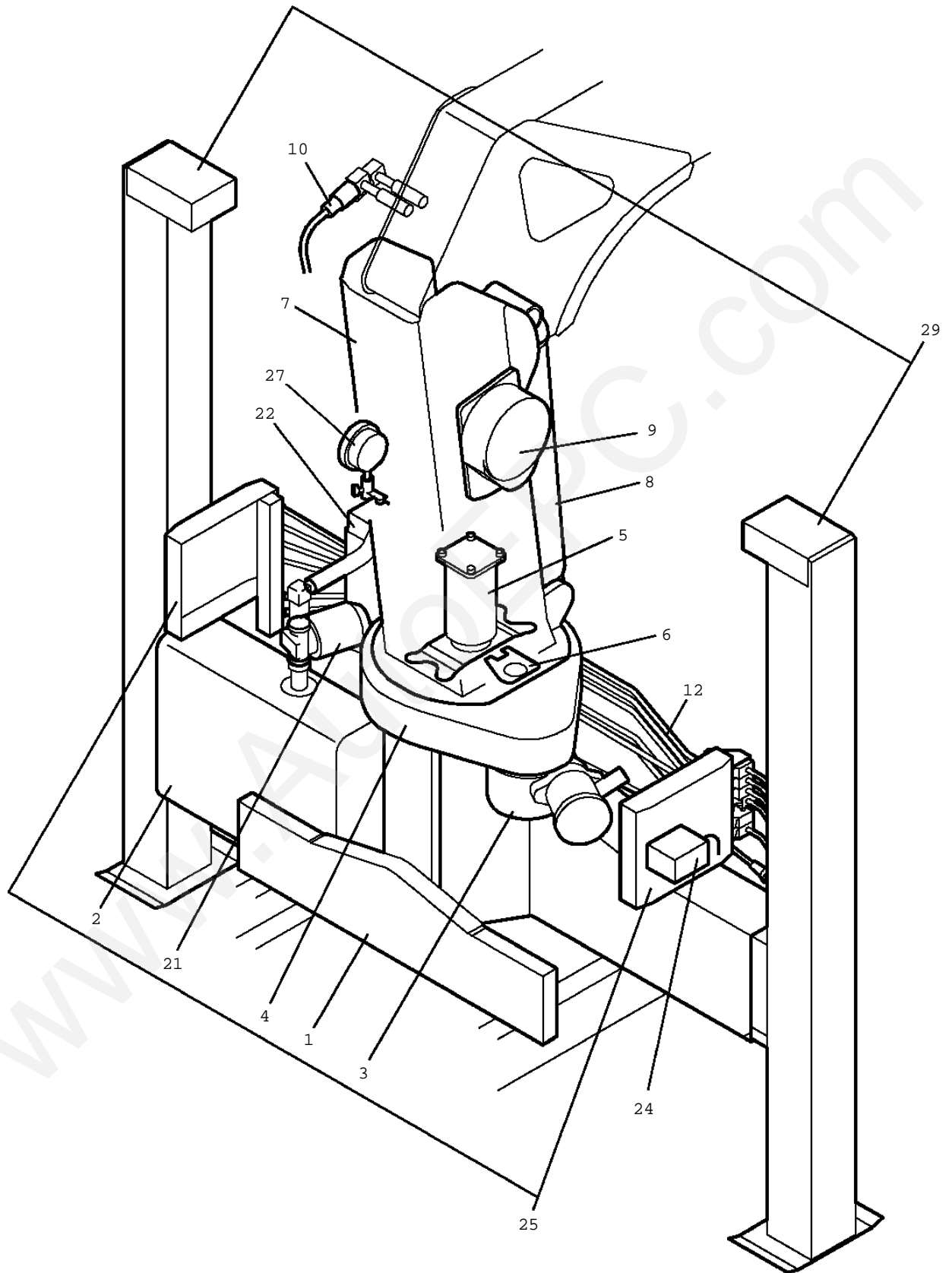


**TM-ZR300 31014010170A FRAME/SL, MANUAL, HOOK-IN**

Pos No.	Parts No	Parts Name	Qty	Unit	Technical Data	Serial No (Start)	Serial
1	31301360100	COVER	1				
2	31301360200	COVER	1				
3	80183308014	SCREW, MACHINE	4		M8X14		
4	90303071001	WASHER, PLAIN	5		10		

www.AutoEPC.com

TM-ZR300 31014010170A FRAME/SL, MANUAL, HOOK-IN  
PK2000856-00 FRAME UNIT



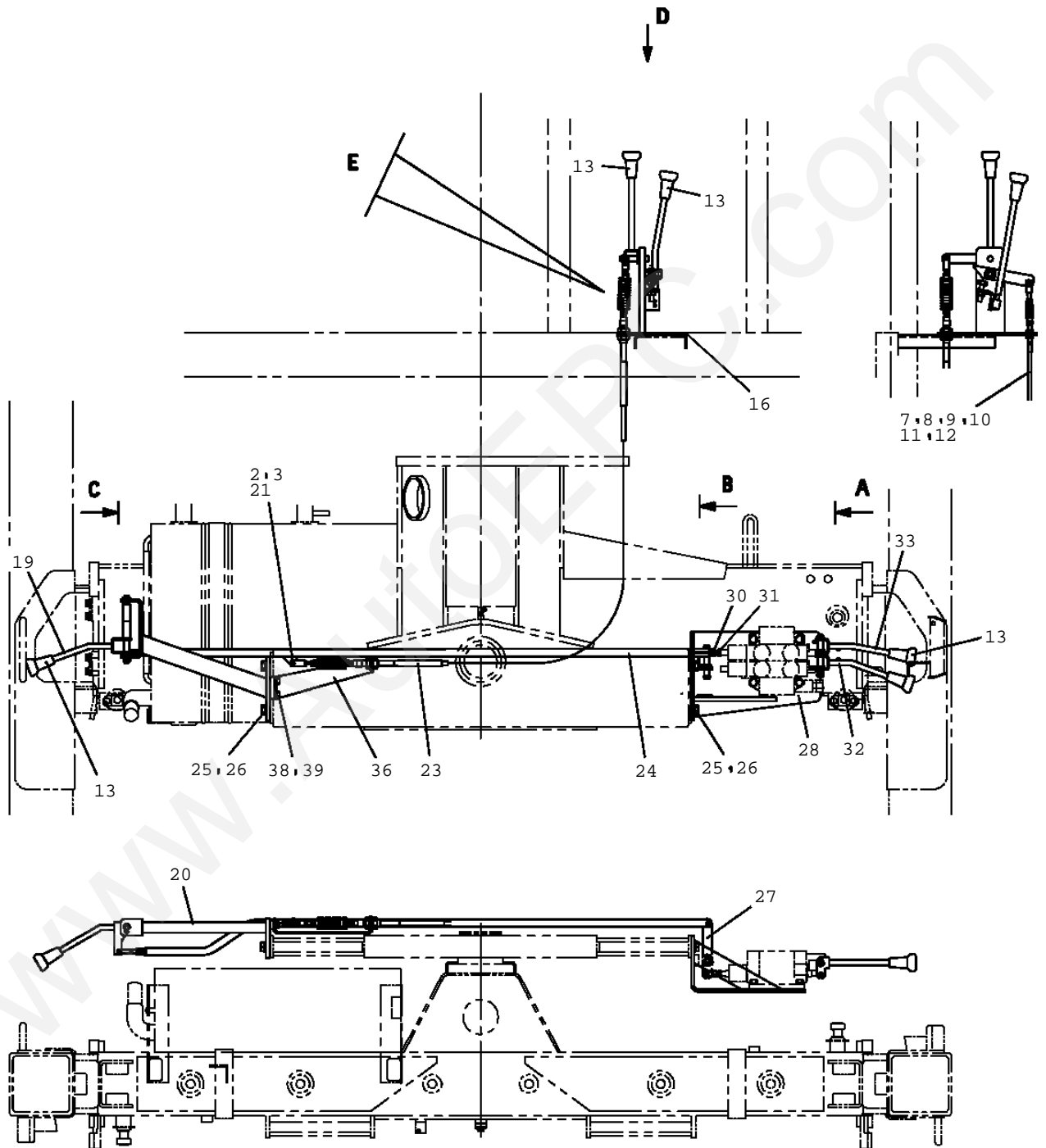


**TM-ZR300 31014010170A FRAME/SL,MANUAL,HOOK-IN**

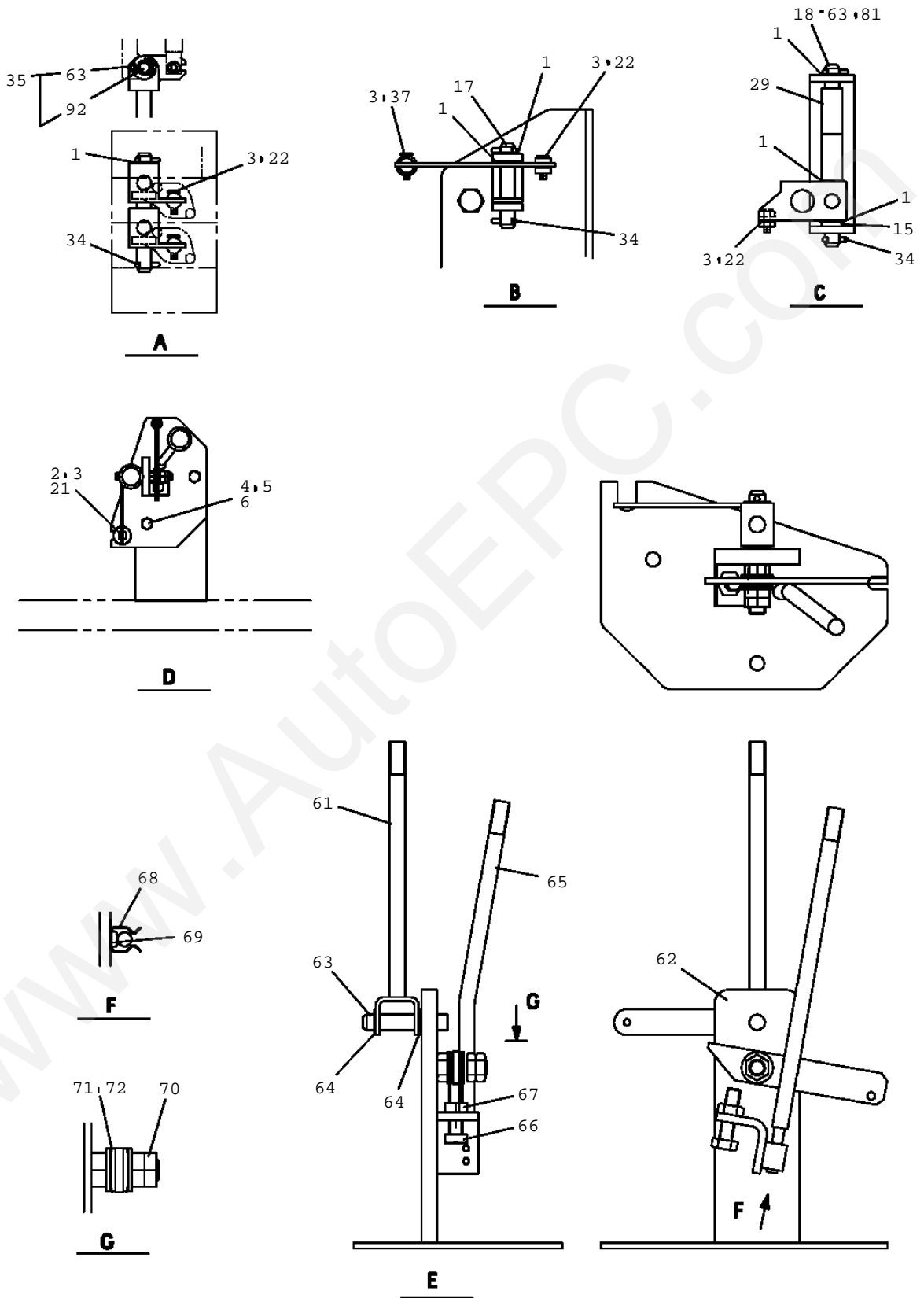
Pos No.	Parts No	Parts Name	Qty	Unit	Technical D
1	(*****)	FRAME	1		
2	(*****)	TANK,OIL (MOUNT)	1		
3	(*****)	REDUCER,SWING SPEED (MOUNT)	1		
4	(*****)	COVER (SWING BEARING)	1		
5	31631640000	JOINT,ROTARY	1		
6	(*****)	STOPPER,ROTARY JOINT	1		
7	(*****)	SWING FRAME	1		
8	(*****)	CYLINDER,ELEVATING	1		
9	(*****)	MOUNT,WINCH	1		
10	(*****)	PIPING,UPPER	1		
12	(*****)	OPE.ASSY,CONT.VALVE (CRANE)	1		
21	(*****)	PIPING,LOWER	1		
22	(*****)	PIPING,LOWER (VALVE/NABCO)	1		
24	(*****)	ELEC.ASSY	1		
25	(*****)	ELEC.ASSY (SWITCH COVER)	1		
27	36682160000	METER,LOAD (2.9TON NAGANO/ENG.& JAPANESE)	1		
	36682150000	METER,LOAD (2.9TON KUSABA/ENG.& JAPANESE)	1		
29	(*****)	OUTRIGGER (G-TYPE)	1		
	(*****)	OUTRIGGER (FOR 4TON)	1		

www.AutoEPC.com

TM-ZR300 31014010170A FRAME/SL, MANUAL, HOOK-IN  
PL1010668-04 OPE.ASSY, CONT. VALVE



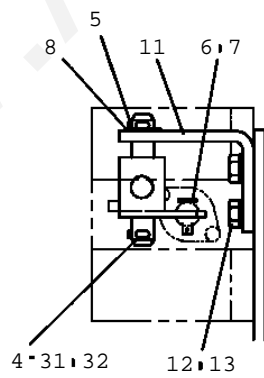
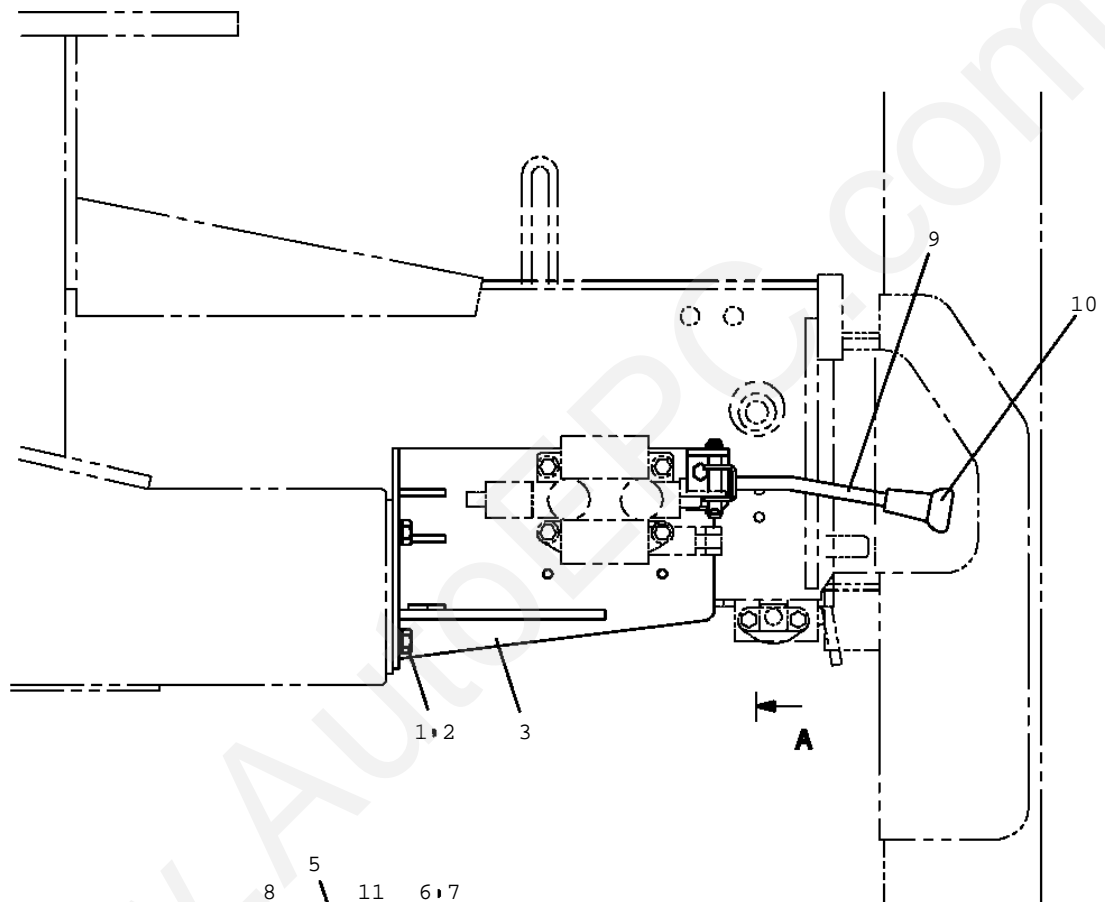
TM-ZR300 31014010170A FRAME/SL, MANUAL, HOOK-IN  
 PL1010668-04 OPE.ASSY, CONT. VALVE



**TM-ZR300 31014010170A FRAME/SL,MANUAL,HOOK-IN**

Pos No.	Parts No	Parts Name	Qty	Unit	Technical Data	Serial No (Start)	Serial
1	31322224200	PLATE	7		L=1		
2	37000147840	PIN	2				
3	80620210050	PIN,SNAP	7				
4	90101210025	BOLT	2		M10X25		
5	90302041001	WASHER,SPRING	2		10		
6	90201201000	NUT	2		M10		
7	37001706340	CABLE,CONTROL	1		L=4000		
8	31710230100	LINK	1				
9	52442101000	PIN	1				
10	90303070601	WASHER,PLAIN	1		6		
11	80136332016	PIN,SPLIT	1		3.2X16		
12	31710230300	SUPPORT	1				
13	31323330100	KNOB (BLACK)	5				
15	37000307020	SPACER	1				
16	31320190090	SUPPORT	1				
17	37000104920	PIN	1				
18	37000157230	PIN ASSY	1				
19	31322432202	LEVER	1				
20	31322430101	SUPPORT	1				
21	31701060900	END	2				
22	37000105610	PIN	4		L=18		
23	37001706660	CABLE,CONTROL	1				
24	31322432301	ROD ASSY	1				
25	90171112020	BOLT	4		M12X20		
26	90302041201	WASHER,SPRING	4		12		
27	31322432401	LINK	1				
28	31322520101	SUPPORT	1				
29	37000310200	SPACER	2				
30	31701530200	END	1				
31	90203200800	NUT	1		M8		
32	31322432901	LEVER	1				
33	31322432801	LEVER	1				
34	80136340020	PIN,SPLIT	3		4X20		
35	37000150250	PIN ASSY	1				
36	31322430300	SUPPORT	1				
37	37000129200	PIN	1				
38	90101208014	BOLT	2		M8X14		
39	90302040801	WASHER,SPRING	2		8		
61	31322431101	LEVER	1				
62	31322431200	SUPPORT	1				
63	80136340020	PIN,SPLIT	3		4X20		
64	37000537270	PLATE	2				
65	31322431301	LEVER	1				
66	90101210040	BOLT	1		M10X40		
67	90203201000	NUT	1		M10		
68	12434402040	SPRING	1				
69	80172105006	SCREW,MACHINE	2		M5X6		
70	90203201200	NUT	2		M12		
71	90303071201	WASHER,PLAIN	2		12		
72	90309331201	WASHER	2		L12		
81	37000157220	PIN	1				
92	37000150260	PIN	1				

TM-ZR300 31014010170A FRAME/SL, MANUAL, HOOK-IN  
PL1010669-03 OPE.ASSY, CONT.VALVE (POWER SUPPLY)

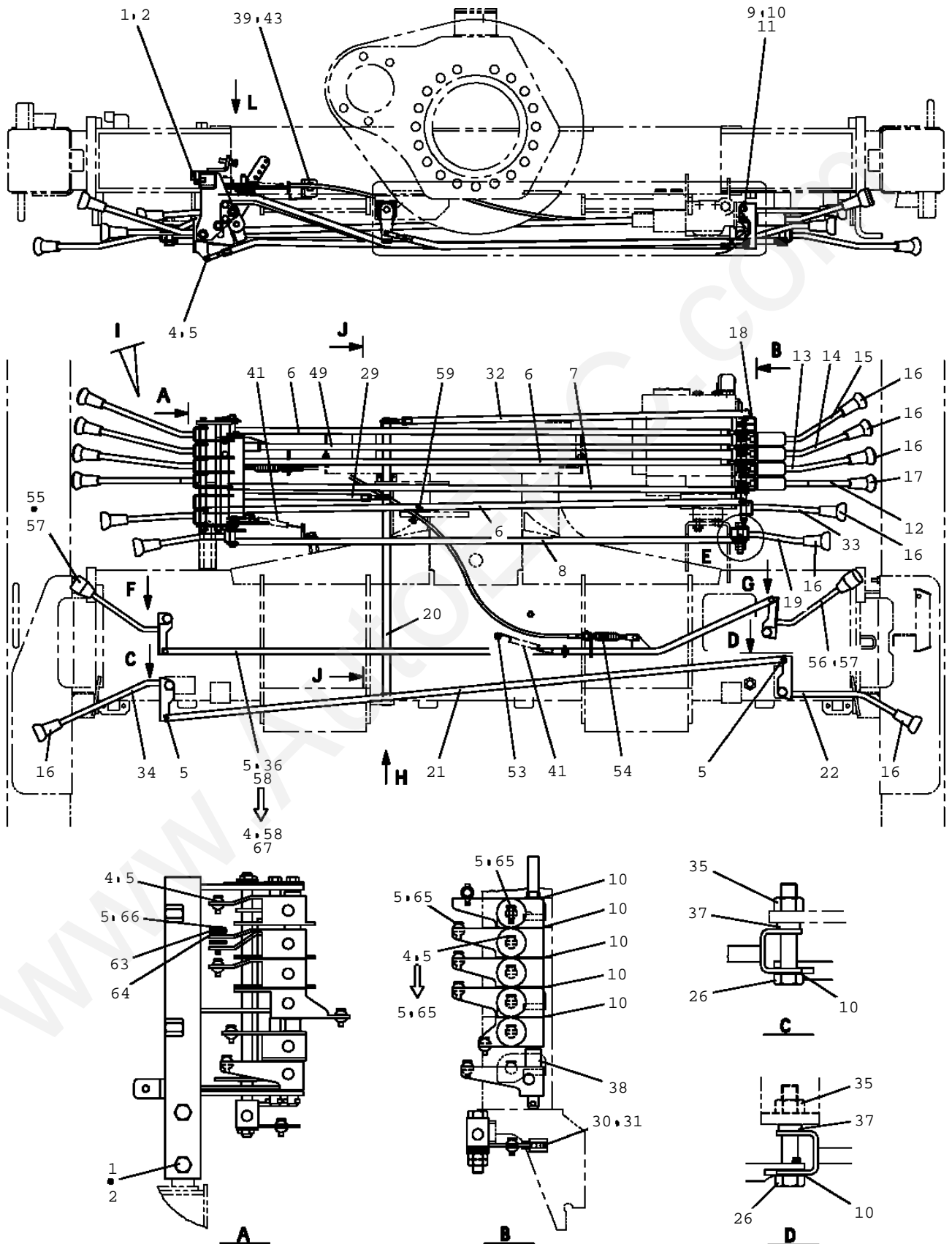


**TM-ZR300 31014010170A FRAME/SL,MANUAL,HOOK-IN**

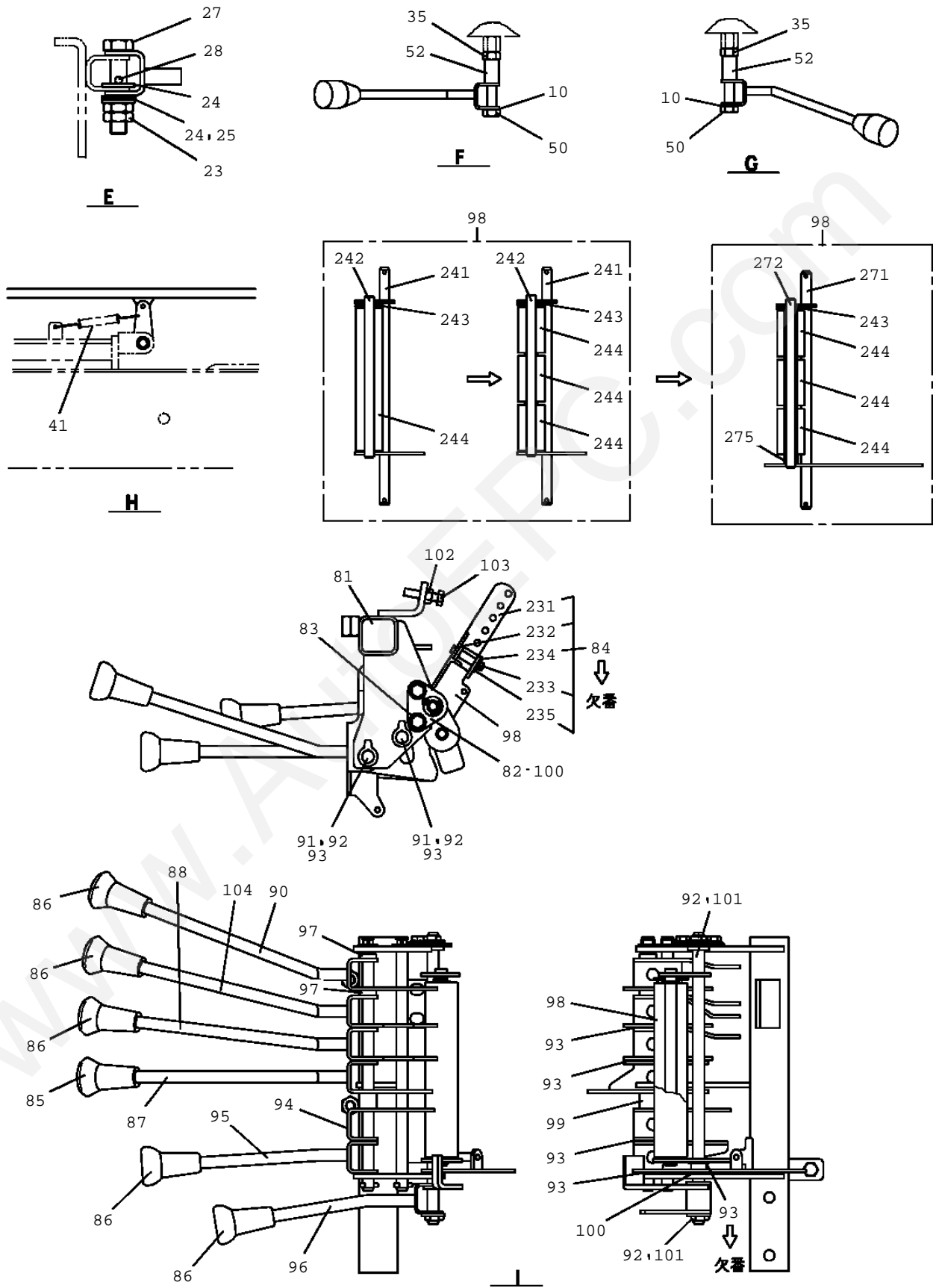
Pos No.	Parts No	Parts Name	Qty	Unit	Technical Data	Serial No (Start)	Serial
1	90171112020	BOLT	2		M12X20		
2	90302041201	WASHER,SPRING	2		12		
3	31322520101	SUPPORT	1				
4	37000119080	PIN ASSY	1				
5	80136340020	PIN,SPLIT	1		4X20		
6	37000105610	PIN	1		L=18		
7	80620210050	PIN,SNAP	1				
8	31322224200	PLATE	1		L=1		
9	31322432901	LEVER	1				
10	31323330100	KNOB (BLACK)	1				
11	31322470100	SUPPORT	1				
12	90101208016	BOLT	2		M8X16		
13	90302040801	WASHER,SPRING	2		8		
31	80136340020	PIN,SPLIT	1		4X20		
32	37000119090	PIN	1				

www.AutoEPC.com

TM-ZR300 31014010170A FRAME/SL, MANUAL, HOOK-IN  
 PL1010805-04 OPE.ASSY, CONT.VALVE (CRANE)

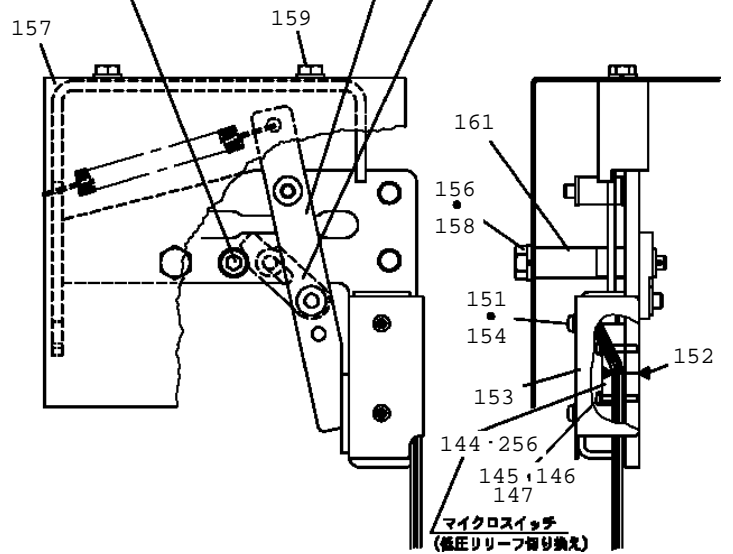
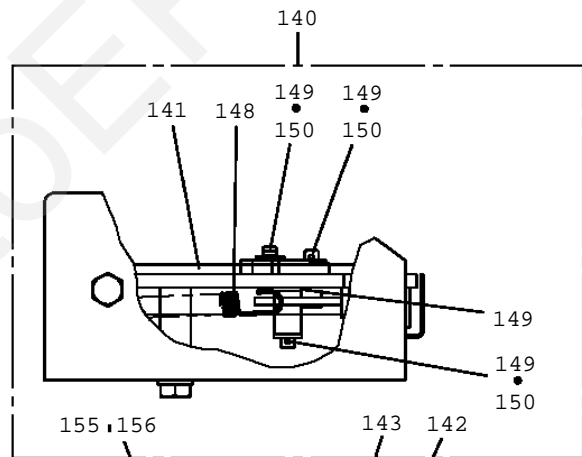
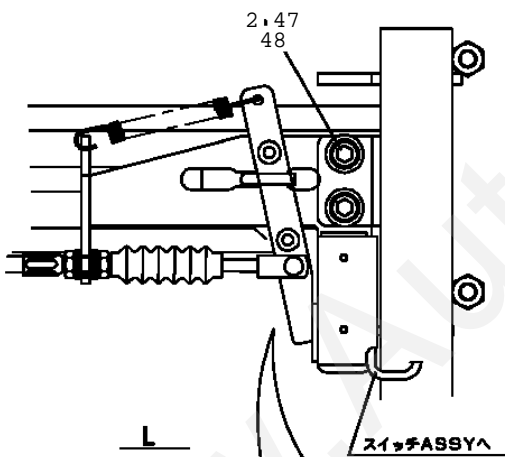
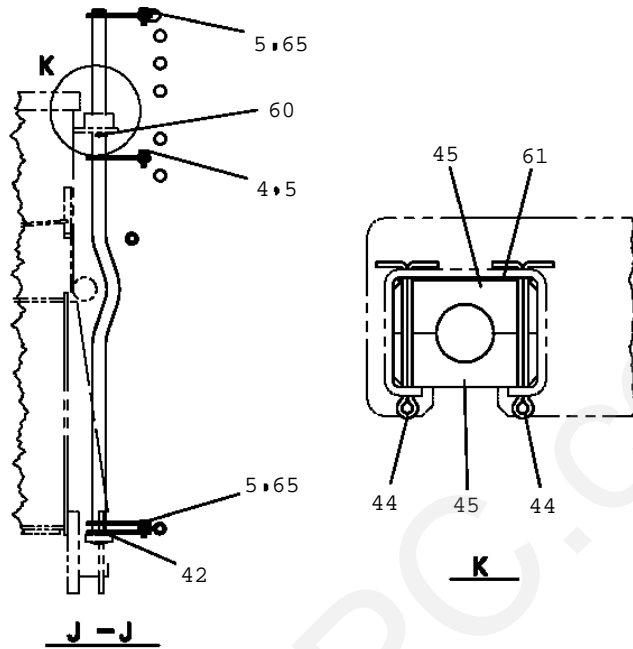


TM-ZR300 31014010170A FRAME/SL, MANUAL, HOOK-IN  
 PL1010805-04 OPE.ASSY, CONT.VALVE (CRANE)

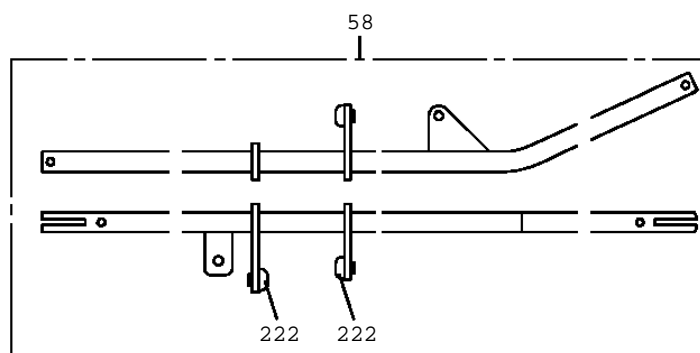
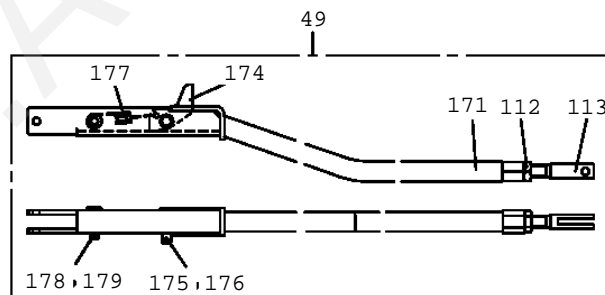
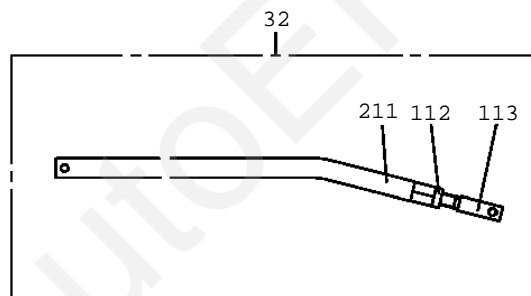
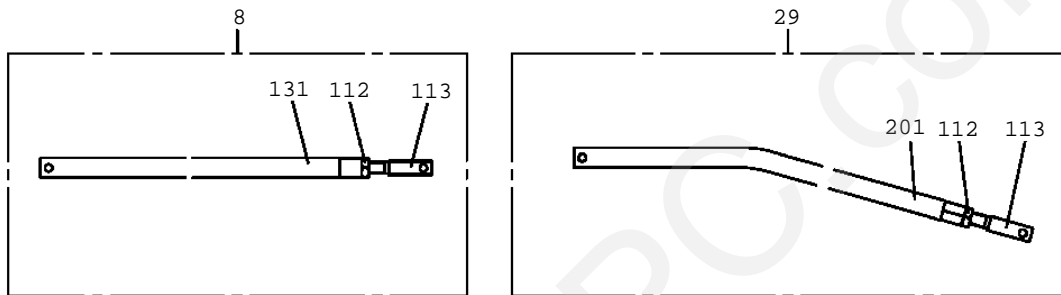
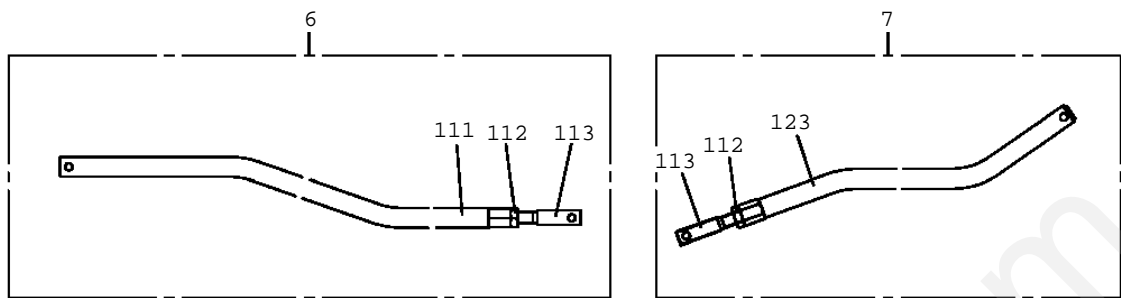




TM-ZR300 31014010170A FRAME/SL, MANUAL, HOOK-IN  
 PL1010805-04 OPE.ASSY, CONT. VALVE (CRANE)



TM-ZR300 31014010170A FRAME/SL, MANUAL, HOOK-IN  
PL1010805-04 OPE.ASSY, CONT.VALVE (CRANE)



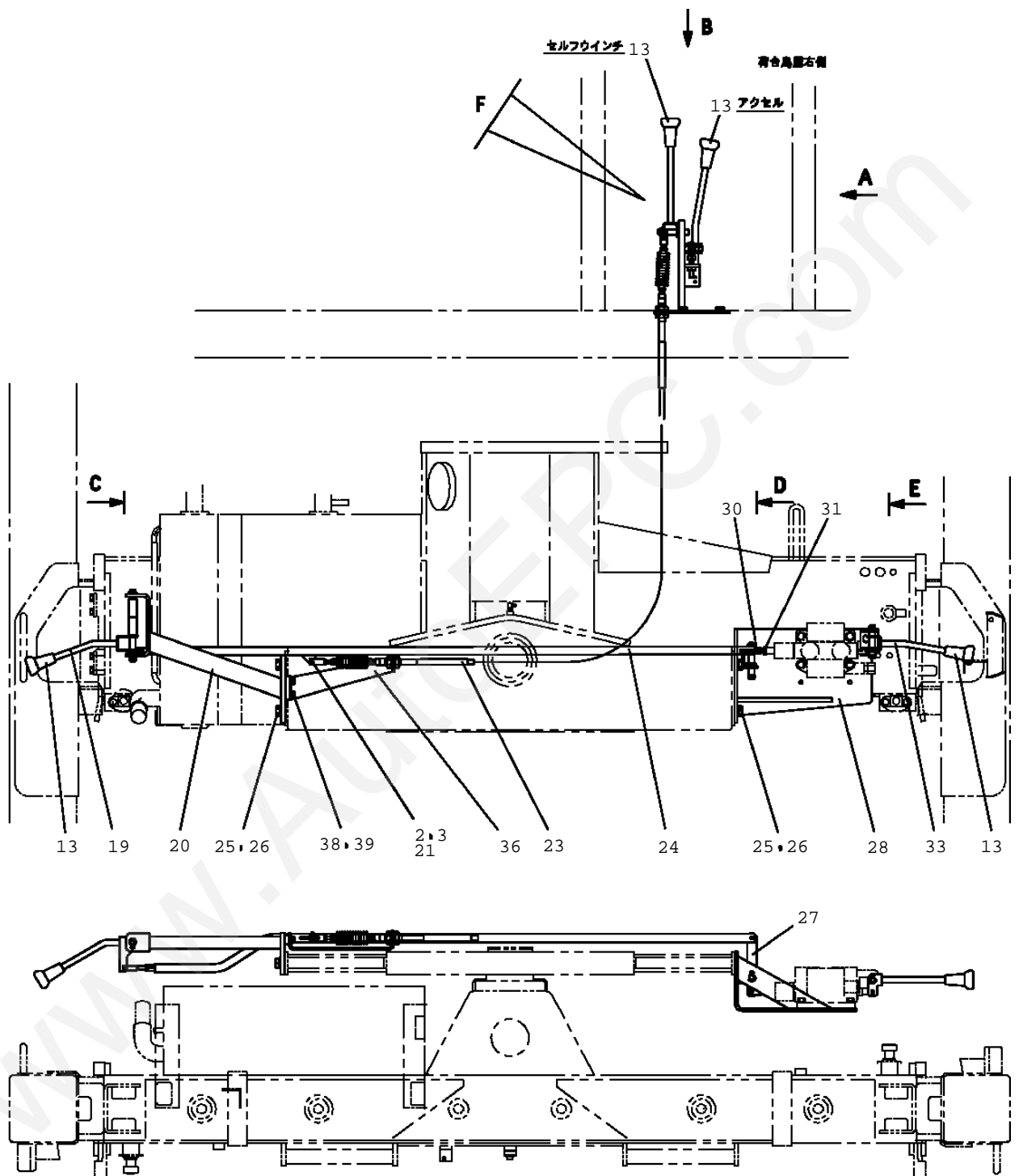
**TM-ZR300 31014010170A FRAME/SL, MANUAL, HOOK-IN**

Pos No.	Parts No	Parts Name	Qty	Unit	Technical Data	Serial No (S
1	90171110016	BOLT	4		M10X16	
2	90302041001	WASHER, SPRING	6		10	
4	37000105610	PIN	18		L=18	
5	80620210050	PIN, SNAP	25			
6	31322102100	ROD ASSY	3			
7	31322032600	ROD ASSY	1			
8	31322032300	ROD ASSY	1			
9	37000164970	PIN	1			
10	31322224200	PLATE	9		L=1	
11	80136840020	PIN, SPLIT	1		4X20	
12	31323340450	LEVER	1			
13	31323340350	LEVER	1			
14	31323340250	LEVER	1			
15	31323340150	LEVER	1			
16	31323330100	KNOB (BLACK)	7			
17	31323330200	KNOB (RED)	1			
18	31323340101	FORK	1			
19	31323330750	LEVER	1			
20	31323340501	SUPPORT	1			
21	31323340401	ROD	1			
22	31323340300	LEVER	1			
23	90203201200	NUT	2		M12	
24	90303071201	WASHER, PLAIN	2		12	
25	90309331205	WASHER, CONICAL SPRING	2		L12	
26	90101212070	BOLT	2		M12X70	
27	31322050600	BOLT	1			
28	80136850025	PIN, SPLIT	1			
29	31323342300	ROD ASSY	1			
30	12434402040	SPRING	1			
31	80172305008	SCREW, MACHINE	2		M5X8	
32	31323342101	ROD ASSY	1			
33	31323340600	LEVER	1			
34	31323340200	LEVER	1			
35	90201201200	NUT	4		M12	
37	37000311460	SPACER	2		L=5	
38	37000311490	SPACER	1		L=20	
39	90186210014	BOLT, FLANGE	1		M10X14	
41	37001300530	SPRING	3			
42	80824001610	BEARING, PLAIN	1			
43	31322100100	SUPPORT	1			
44	80136332045	PIN, SPLIT	2			
45	31323340701	PLATE	2			
47	90172110018	BOLT, HEXAGON SOCKET	2		M10X18	
48	90303071001	WASHER, PLAIN	2		10	
49	31323130201	ROD ASSY	1			
50	90101212085	BOLT	2		M12X85	
52	37000311510	SPACER	2		L=30	
53	90101208040	BOLT	1		M8X40	
54	37001707920	CABLE, CONTROL	1			
55	31323130500	LEVER	1			
56	31323130600	LEVER	1			
57	31320020010	KNOB (BLACK)	2			
58	31323310100	ROD ASSY	1			
59	91810130240	FASTENER	1			
60	80620210160	PIN, SNAP	1			
61	31323340800	SHIM	N			
63	37000551250	PLATE	3			
64	37000562510	PLATE	1		T=0.5	
65	37000171010	PIN	5			
66	31322380200	PIN	1			
67	80136820010	PIN, SPLIT	1		2X10	
81	31323341101	SUPPORT	1			
82	31322031150	SUPPORT	1			
83	90186208010	BOLT, FLANGE	2		M8X10	
85	31323330200	KNOB (RED)	1			
86	31323330100	KNOB (BLACK)	5			
87	31323341850	LEVER	1			
88	31323341800	LEVER	1			
90	31323341650	LEVER	1			
91	37000164920	PIN	2			
92	80136840020	PIN, SPLIT	4		4X20	
93	31322224200	PLATE	6		L=1	
94	31323341200	FORK	1			
95	31323340600	LEVER	1			

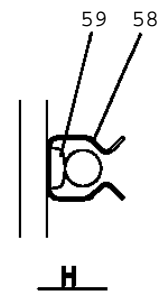
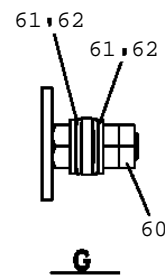
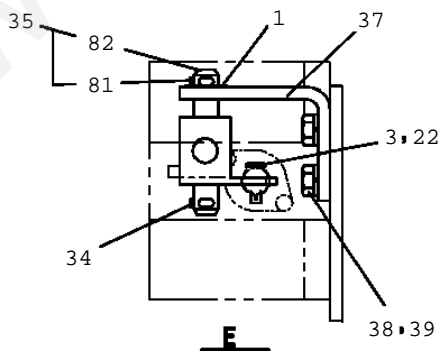
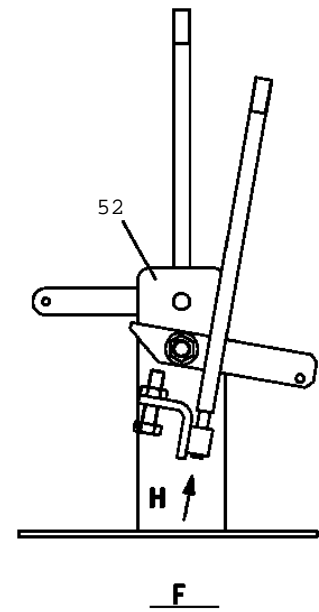
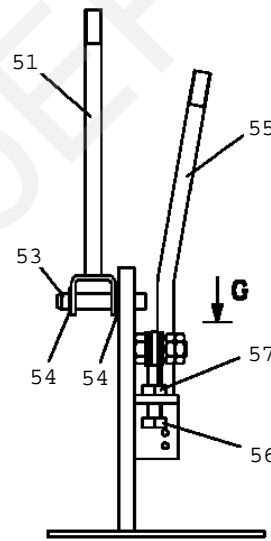
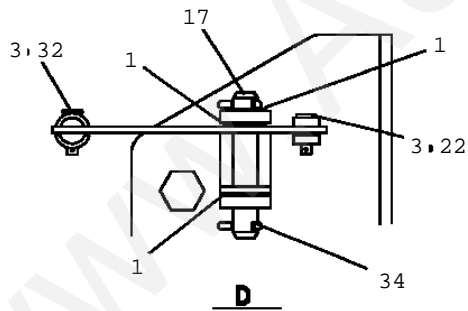
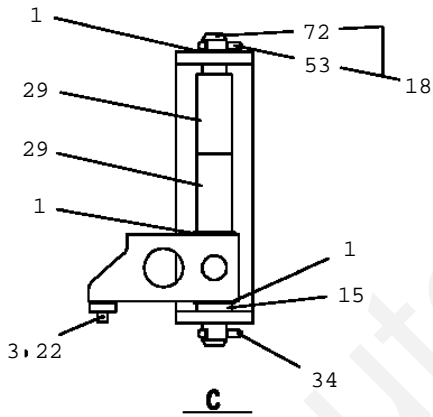
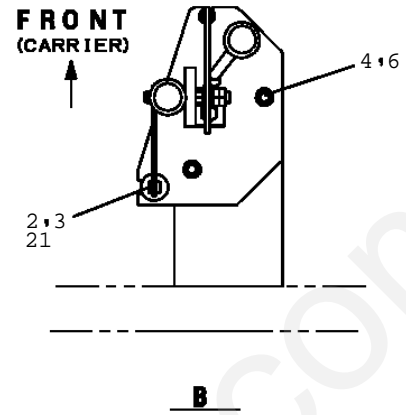
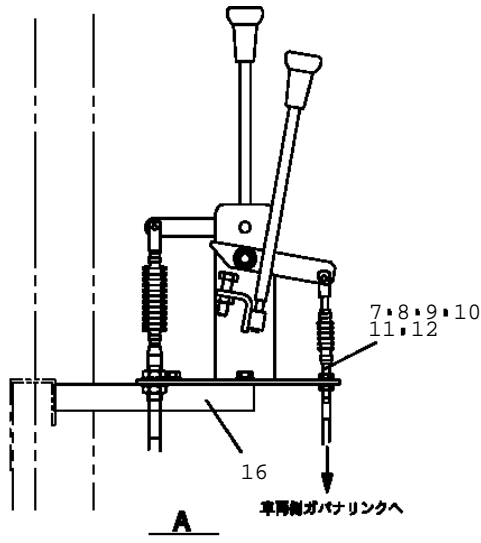
**TM-ZR300 31014010170A FRAME/SL,MANUAL,HOOK-IN**

Pos No.	Parts No	Parts Name	Qty	Unit	Technical Data	Serial No (S
96	31323331450	LEVER	1			
97	37000311460	SPACER	2		L=5	
98	31323331201	LINK	1			
99	37000311190	SPACER	1		L=16	
100	80824001206	BEARING,PLAIN	2			
101	90303071201	WASHER,PLAIN	2		12	
102	90201200800	NUT	1		M8	
103	90102208035	BOLT	1		M8X35	
104	31323341751	LEVER	1			
111	31322032000	ROD	3			
112	90203200800	NUT	8		M8	
113	31320810210	END	8			
123	31322032650	ROD	1			
131	31322032350	ROD	1			
140	31323138011	LINK ASSY	1			
141	31323132101	SUPPORT	1			
142	31323132201	LINK	1			
143	31323132301	LINK	1			
144	31323132500	SWITCH ASSY (WITH HARNESS)	1			
145	80192483016	SCREW,MACHINE	2		M3X16	
148	16314010000	SPRING	1			
149	90303070601	WASHER,PLAIN	4		6	
150	80136320010	PIN,SPLIT	3		2X10	
151	90302040401	WASHER,SPRING	2		4	
152	91810130240	FASTENER	1			
153	31323132400	COVER	1			
154	80171304008	SCREW,MACHINE	2		M4X8	
155	90172108012	BOLT,HEXAGON SOCKET	1		M8X12	
156	90302040801	WASHER,SPRING	2		8	
157	31323132600	COVER	1			
158	90101208050	BOLT	1		M8X50	
159	90186206010	BOLT,FLANGE	2		M6X10	
161	37000310680	SPACER	1			
171	31323130301	ROD	1			
174	31323130401	PLATE	1			
175	80620210060	PIN,SNAP	1			
176	37000116610	PIN	1			
177	37001300540	SPRING	1			
178	37000101210	PIN	1			
179	80620210050	PIN,SNAP	1			
201	31323342400	ROD	1			
211	31323342201	ROD	1			
222	82466003005	INSULATOR	2			
243	80620210120	PIN,SNAP	1			
244	31323141350	ROLLER	3			
256	82104420660	SWITCH,LIMIT	1			
271	31323331251	LINK	1			
272	31323331301	PIN	1			
275	37000311480	SPACER	1		L=10	

TM-ZR300 31014010170A FRAME/SL, MANUAL, HOOK-IN  
PL1010810-01 OPE.ASSY, CONT.VALVE (SL WINCH, MANUAL)



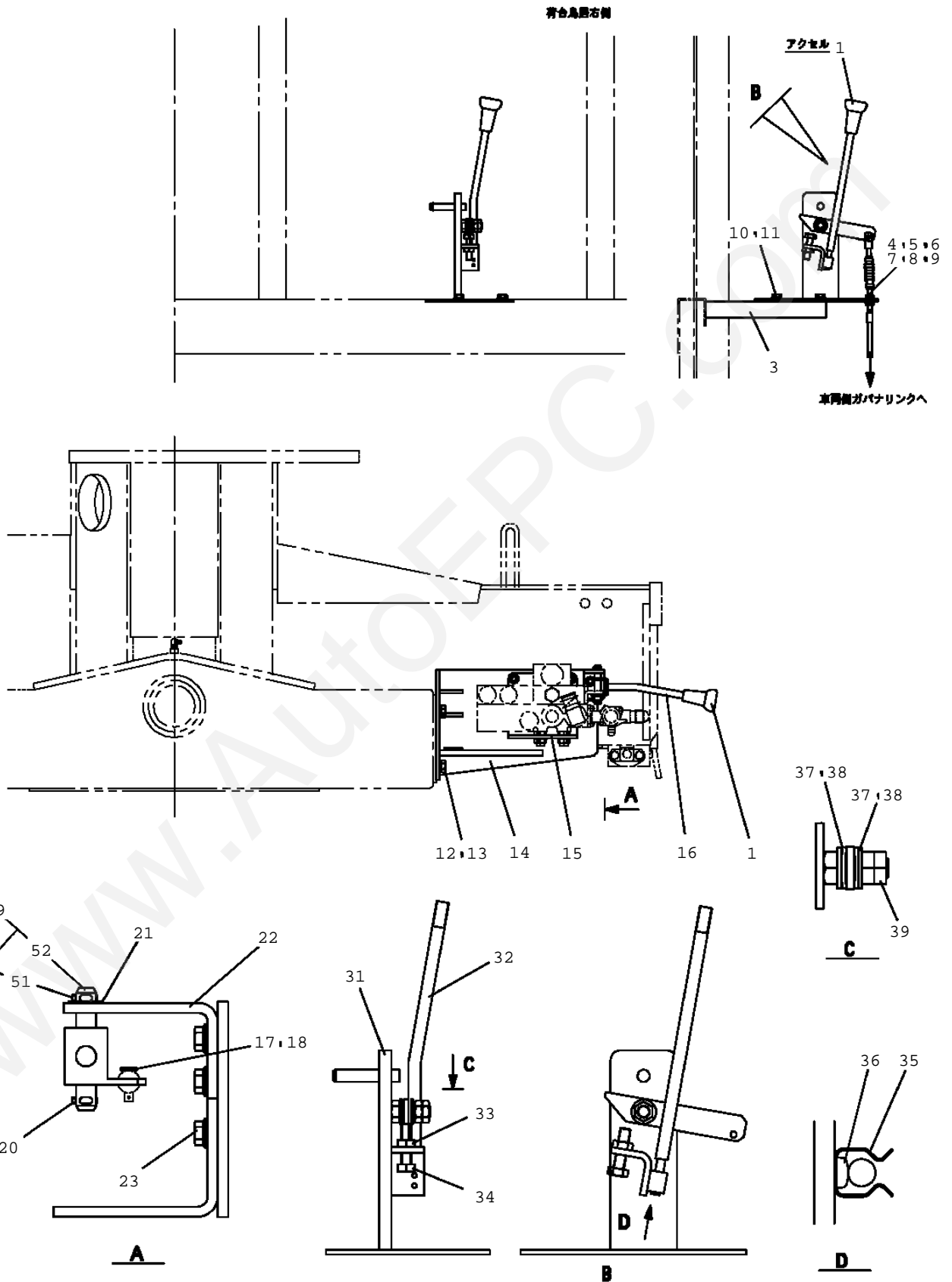
TM-ZR300 31014010170A FRAME/SL, MANUAL, HOOK-IN  
 PL1010810-01 OPE.ASSY, CONT. VALVE (SL WINCH, MANUAL)



**TM-ZR300 31014010170A FRAME/SL, MANUAL, HOOK-IN**

Pos No.	Parts No	Parts Name	Qty	Unit	Technical Data	Serial No (Start)	Serial
1	31322224200	PLATE	7		L=1		
2	37000147840	PIN	2				
3	80620210050	PIN, SNAP	6				
4	90186210025	BOLT, FLANGE	2		M10X25		
6	90280201000	NUT, FLANGE	2		M10		
7	37001706340	CABLE, CONTROL	1		L=4000		
8	31710230100	LINK	1				
9	52442101000	PIN	1				
10	90303070601	WASHER, PLAIN	1		6		
11	80136332016	PIN, SPLIT	1		3.2X16		
12	31710230300	SUPPORT	1				
13	31323330100	KNOB (BLACK)	4				
15	37000307020	SPACER	1				
16	31320190090	SUPPORT	1				
17	37000104920	PIN	1				
18	37000157230	PIN ASSY	1				
19	31322432202	LEVER	1				
20	31322430101	SUPPORT	1				
21	31701060900	END	2				
22	37000105610	PIN	3		L=18		
23	37001706660	CABLE, CONTROL	1				
24	31322432301	ROD ASSY	1				
25	90171112020	BOLT	4		M12X20		
26	90302041201	WASHER, SPRING	4		12		
27	31322432401	LINK	1				
28	31322520101	SUPPORT	1				
29	37000310200	SPACER	2				
30	31701530200	END	1				
31	90203200800	NUT	1		M8		
32	37000129200	PIN	1				
33	31322432801	LEVER	1				
34	80136340020	PIN, SPLIT	3		4X20		
35	37000119080	PIN ASSY	1				
36	31322430300	SUPPORT	1				
37	31322470100	SUPPORT	1				
38	90101208014	BOLT	4		M8X14		
39	90302040801	WASHER, SPRING	4		8		
51	31322431101	LEVER	1				
52	31322431200	SUPPORT	1				
53	80136340020	PIN, SPLIT	3		4X20		
54	37000537270	PLATE	2				
55	31322431301	LEVER	1				
56	90101210040	BOLT	1		M10X40		
57	90203201000	NUT	1		M10		
58	12434402040	SPRING	1				
59	80172105006	SCREW, MACHINE	2		M5X6		
60	90203201200	NUT	2		M12		
61	90303071201	WASHER, PLAIN	2		12		
62	90309331201	WASHER	2		L12		
72	37000157220	PIN	1				
82	37000119090	PIN	1				

TM-ZR300 31014010170A FRAME/SL, MANUAL, HOOK-IN  
 PL1010811-01 OPE.ASSY, CONT. VALVE (SL WINCH, RADICON)

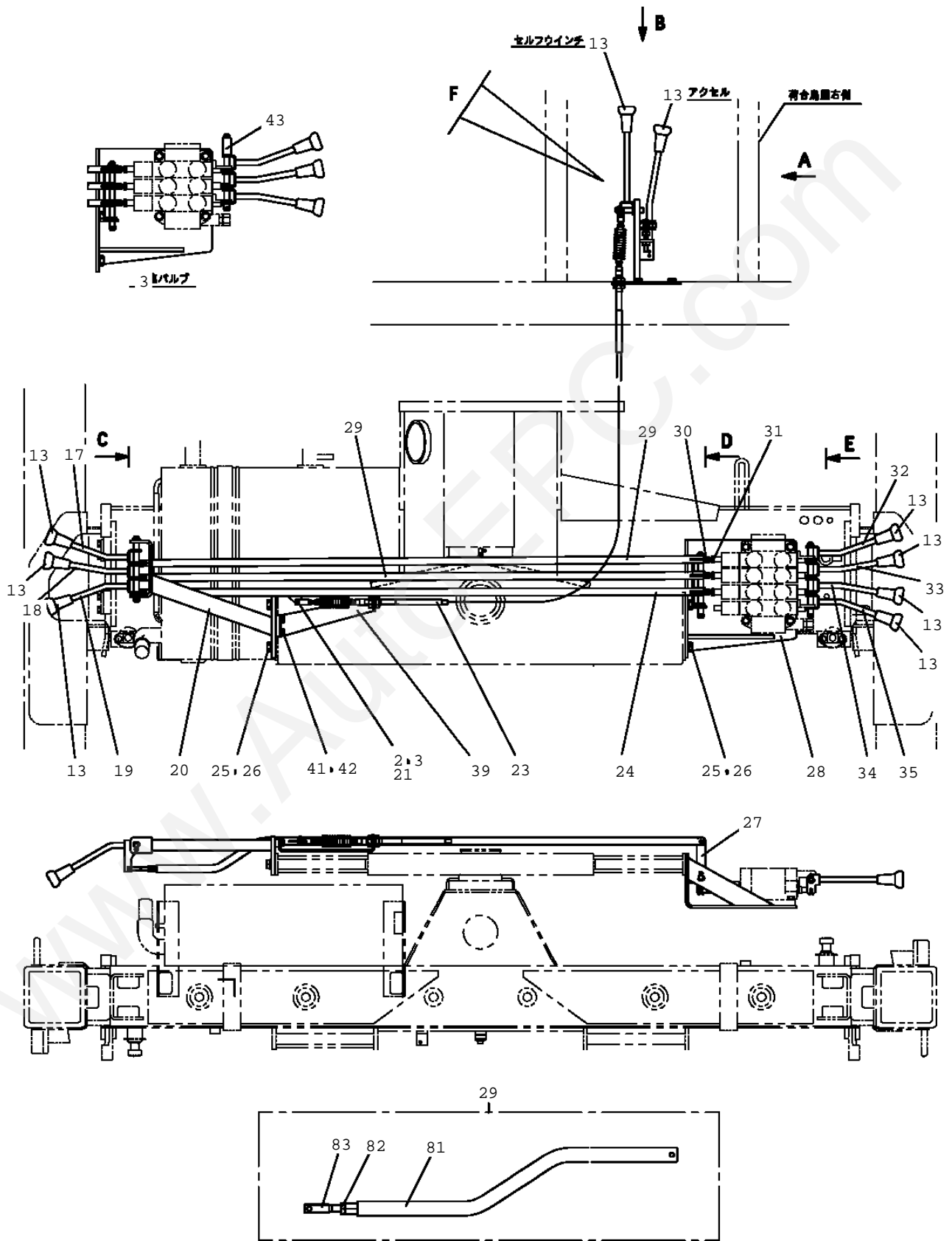




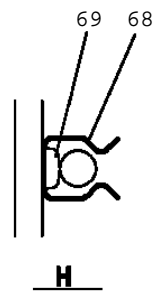
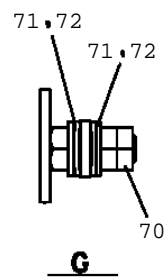
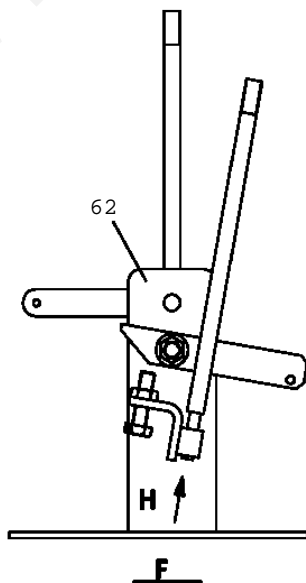
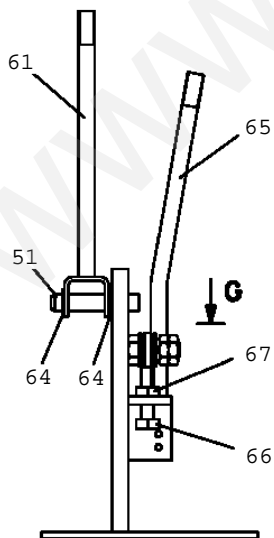
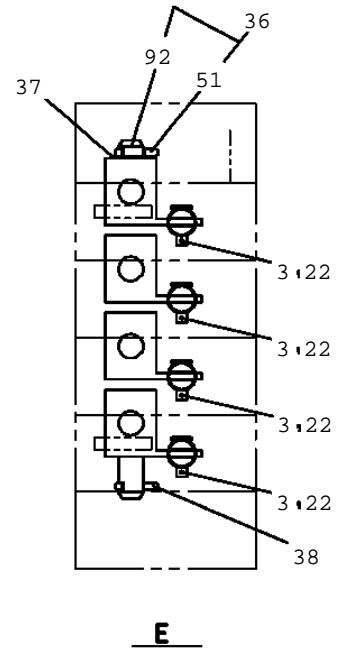
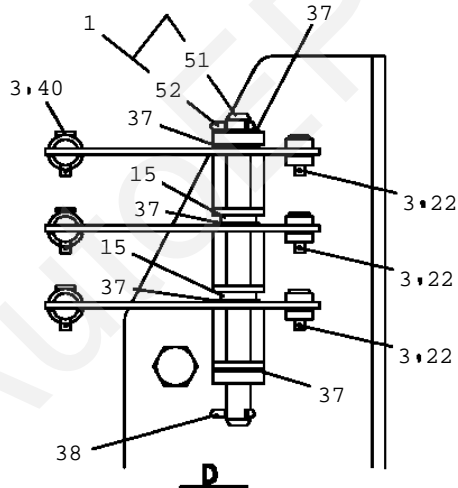
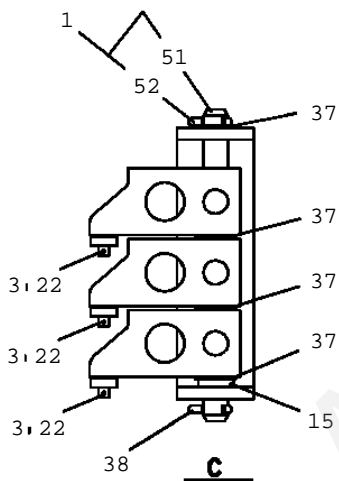
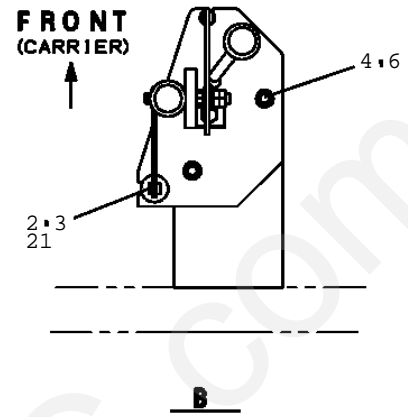
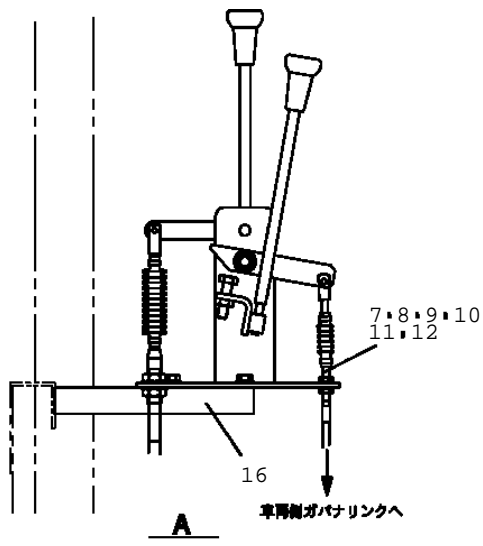
**TM-ZR300 31014010170A FRAME/SL,MANUAL,HOOK-IN**

Pos No.	Parts No	Parts Name	Qty	Unit	Technical Data	Serial No (Start)	Serial
1	31323330100	KNOB (BLACK)	2				
3	31320190090	SUPPORT	1				
4	31710230300	SUPPORT	1				
5	80136332016	PIN,SPLIT	1		3.2X16		
6	90303070601	WASHER,PLAIN	1		6		
7	52442101000	PIN	1				
8	31710230100	LINK	1				
9	37001706340	CABLE,CONTROL	1		L=4000		
10	90186210025	BOLT,FLANGE	2		M10X25		
11	90280201000	NUT,FLANGE	2		M10		
12	90171112020	BOLT	2		M12X20		
13	90302041201	WASHER,SPRING	2		12		
14	31322520101	SUPPORT	1				
15	31475471200	SUPPORT	1				
16	31322432801	LEVER	1				
17	37000105610	PIN	1		L=18		
18	80620210050	PIN,SNAP	1				
19	37000119080	PIN ASSY	1				
20	80136340020	PIN,SPLIT	1		4X20		
21	31322224200	PLATE	1		L=1		
22	31475471100	SUPPORT	1				
23	90186208014	BOLT,FLANGE	6		M8X14		
31	31322431200	SUPPORT	1				
32	31322431301	LEVER	1				
33	90203201000	NUT	1		M10		
34	90101210040	BOLT	1		M10X40		
35	12434402040	SPRING	1				
36	80172105006	SCREW,MACHINE	2		M5X6		
37	90303071201	WASHER,PLAIN	2		12		
38	90309331201	WASHER	2		L12		
39	90203201200	NUT	2		M12		
51	80136340020	PIN,SPLIT	1		4X20		
52	37000119090	PIN	1				

TM-ZR300 31014010170A FRAME/SL, MANUAL, HOOK-IN  
PL1010813-00 OPE.ASSY, CONT. VALVE (R/J+SELF)



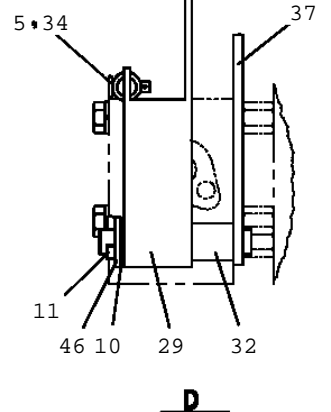
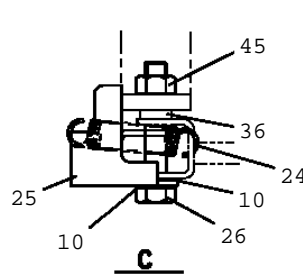
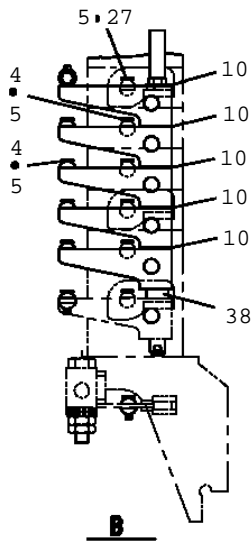
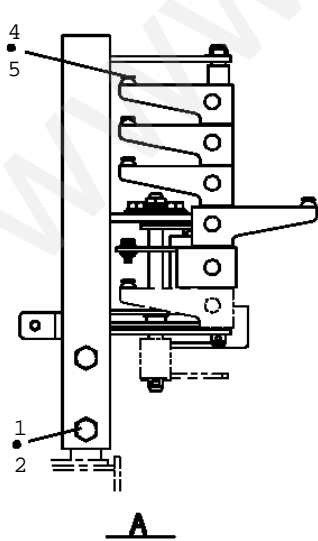
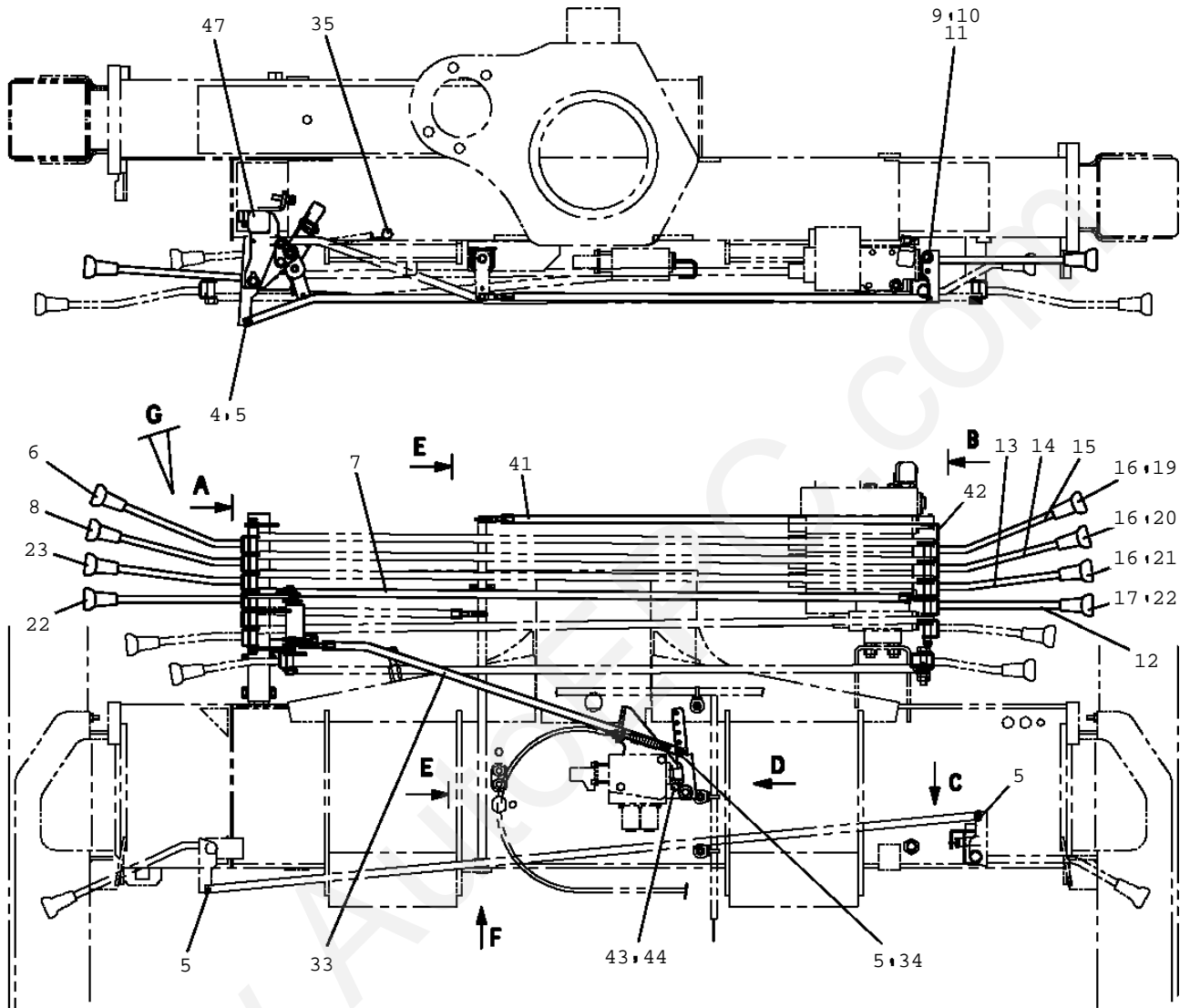
TM-ZR300 31014010170A FRAME/SL, MANUAL, HOOK-IN  
 PL1010813-00 OPE.ASSY, CONT.VALVE (R/J+SELF)



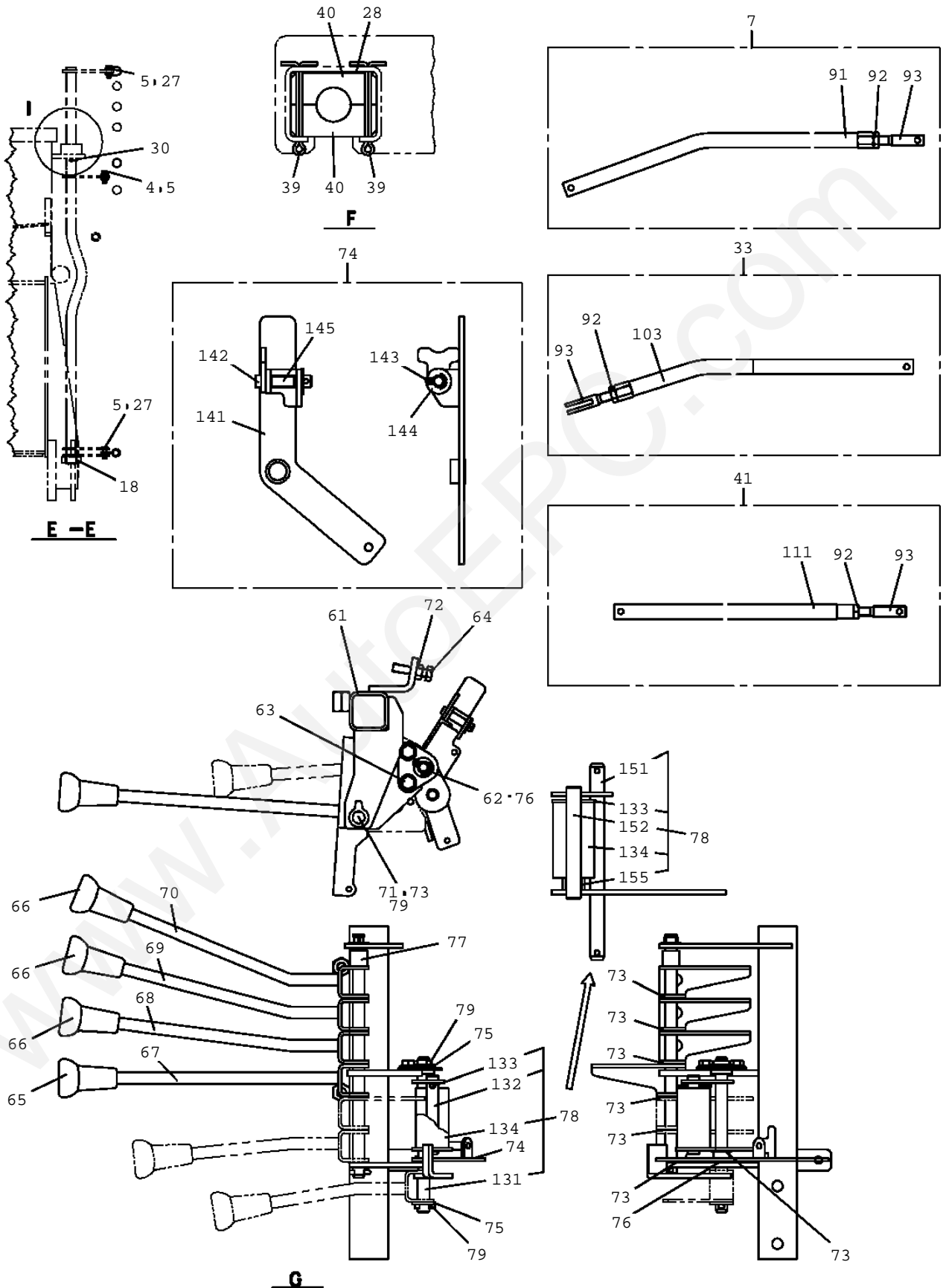
**TM-ZR300 31014010170A FRAME/SL,MANUAL,HOOK-IN**

Pos No.	Parts No	Parts Name	Qty	Unit	Technical Data	Serial No (Start)	Serial
1	37000157230	PIN ASSY	2				
2	37000147840	PIN	2				
3	80620210050	PIN, SNAP	15				
4	90186210025	BOLT, FLANGE	2		M10X25		
6	90280201000	NUT, FLANGE	2		M10		
7	37001706340	CABLE, CONTROL	1		L=4000		
8	31710230100	LINK	1				
9	52442101000	PIN	1				
10	90303070601	WASHER, PLAIN	1		6		
11	80136332016	PIN, SPLIT	1		3.2X16		
12	31710230300	SUPPORT	1				
13	31323330100	KNOB (BLACK)	9				
15	37000307020	SPACER	3				
16	31320190090	SUPPORT	1				
17	31322432002	LEVER	1				
18	31322432102	LEVER	1				
19	31322432202	LEVER	1				
20	31322430101	SUPPORT	1				
21	31701060900	END	2				
22	37000105610	PIN	9		L=18		
23	37001706660	CABLE, CONTROL	1				
24	31322432301	ROD ASSY	1				
25	90171112020	BOLT	4		M12X20		
26	90302041201	WASHER, SPRING	4		12		
27	31322432401	LINK	3				
28	31322430200	SUPPORT	1				
29	31322432501	ROD ASSY	2				
30	31701530200	END	3				
31	90203200800	NUT	3		M8		
32	31322432601	LEVER	1				
33	31322432701	LEVER	1				
34	31322432801	LEVER	1				
35	31322432901	LEVER	1				
36	37000163080	PIN ASSY	1				
37	31322224200	PLATE	10		L=1		
38	80136340020	PIN, SPLIT	3		4X20		
39	31322430300	SUPPORT	1				
40	37000129200	PIN	3				
41	90101208014	BOLT	2		M8X14		
42	90302040801	WASHER, SPRING	2		8		
43	37000310200	SPACER	1				
51	80136340020	PIN, SPLIT	4		4X20		
52	37000157220	PIN	2				
61	31322431101	LEVER	1				
62	31322431200	SUPPORT	1				
64	37000537270	PLATE	2				
65	31322431301	LEVER	1				
66	90101210040	BOLT	1		M10X40		
67	90203201000	NUT	1		M10		
68	12434402040	SPRING	1				
69	80172105006	SCREW, MACHINE	2		M5X6		
70	90203201200	NUT	2		M12		
71	90303071201	WASHER, PLAIN	2		12		
72	90309331201	WASHER	2		L12		
81	31322432550	ROD	2				
82	90203200800	NUT	2		M8		
83	31320810210	END	2				
92	37000163090	PIN	1				

TM-ZR300 31014010170A FRAME/SL, MANUAL, HOOK-IN  
 PL1010815-03 OPE.ASSY, CONT.VALVE (RADIO CONTROL)



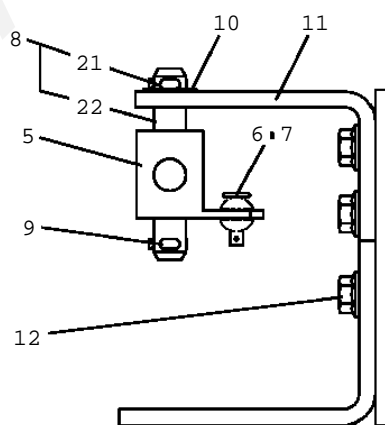
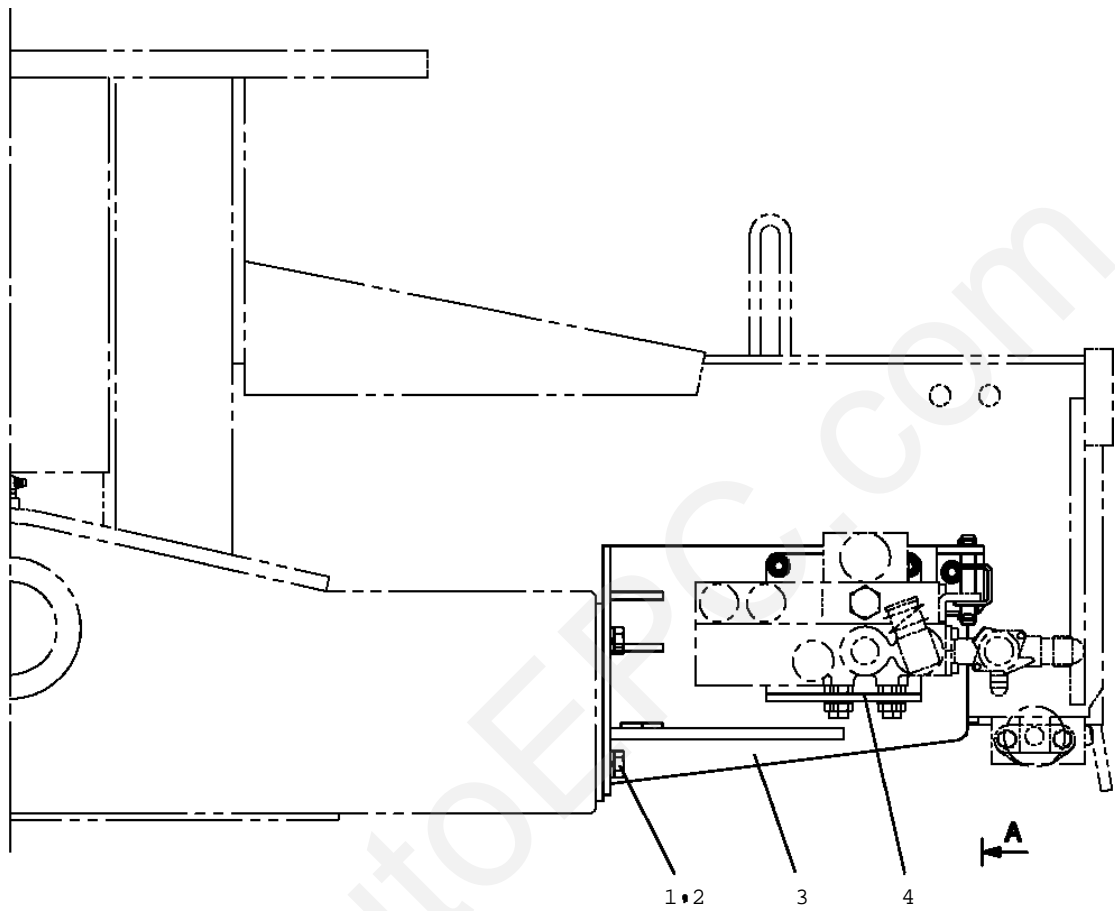
TM-ZR300 31014010170A FRAME/SL, MANUAL, HOOK-IN  
 PL1010815-03 OPE.ASSY, CONT. VALVE (RADIO CONTROL)



**TM-ZR300 31014010170A FRAME/SL, MANUAL, HOOK-IN**

Pos No.	Parts No	Parts Name	Qty	Unit	Technical Data	Serial No (Start)	Serial
1	90171110016	BOLT	4		M10X16		
2	90302041001	WASHER, SPRING	4		10		
4	37000105610	PIN	20		L=18		
5	80620210050	PIN, SNAP	27				
6	37002220530	PLATE, NAME	1				
7	31322052600	ROD ASSY	1				
8	37002220540	PLATE, NAME	1				
9	37000164930	PIN	1				
10	31322224200	PLATE	8		L=1		
11	80136840020	PIN, SPLIT	2		4X20		
12	31323140450	LEVER	1				
13	31323140350	LEVER	1				
14	31323140250	LEVER	1				
15	31323140150	LEVER	1				
16	31323330100	KNOB (BLACK)	3				
17	31323330200	KNOB (RED)	1				
18	80824001610	BEARING, PLAIN	1				
19	37002220460	PLATE, NAME	1				
20	37002220470	PLATE, NAME	1				
21	37002220480	PLATE, NAME	1				
22	37002220490	PLATE, NAME	2				
23	37002220550	PLATE, NAME	1				
24	37001300390	SPRING	1				
25	31323300100	STOPPER	1				
26	90101212070	BOLT	1		M12X70		
27	37000171010	PIN	3				
28	31323340800	SHIM	3				
29	31323144300	LINK	1				
30	80620210160	PIN, SNAP	1				
32	37000311490	SPACER	1		L=20		
33	31323144000	ROD ASSY	1				
34	37000147840	PIN	1				
35	90191210050	BOLT	1		M10X50		
36	37000311460	SPACER	1		L=5		
37	31323144200	SUPPORT	1				
38	37000311470	SPACER	1		L=8		
39	80136332045	PIN, SPLIT	2				
40	31323340701	PLATE	2				
41	31323302100	ROD ASSY	1				
42	31321960100	FORK	1				
43	90101208016	BOLT	1		M8X16		
44	90302040801	WASHER, SPRING	1		8		
45	90201201200	NUT	1		M12		
46	90303071201	WASHER, PLAIN	1		12		
47	31270212000	CAP	1				
61	31323301100	SUPPORT	1				
62	31322031150	SUPPORT	1				
63	90186208010	BOLT, FLANGE	2		M8X10		
64	90102208035	BOLT	1		M8X35		
65	31323330200	KNOB (RED)	1				
66	31323330100	KNOB (BLACK)	3				
67	31323141850	LEVER	1				
68	31323140350	LEVER	1				
69	31323140250	LEVER	1				
70	31323140150	LEVER	1				
71	37000175340	PIN	1				
72	90201200800	NUT	1		M8		
73	31322224200	PLATE	7		L=1		
75	90303071201	WASHER, PLAIN	2		12		
76	80824001206	BEARING, PLAIN	2				
77	37000311190	SPACER	1		L=16		
78	31323141201	LINK	1				
79	80136840020	PIN, SPLIT	3		4X20		
91	31322052650	ROD	1				
92	90203200800	NUT	3		M8		
93	31320810210	END	3				
103	31323144100	ROD	1				
111	31323302200	ROD	1				
133	80620210120	PIN, SNAP	1				
134	31323141350	ROLLER	1				
151	31323141251	LINK	1				
152	31323141301	PIN	1				
155	37000311480	SPACER	1		L=10		

TM-ZR300 31014010170A FRAME/SL, MANUAL, HOOK-IN  
PL1010904-00 OPE.ASSY, CONT.VALVE (SELF, F-RADIO CONT.)



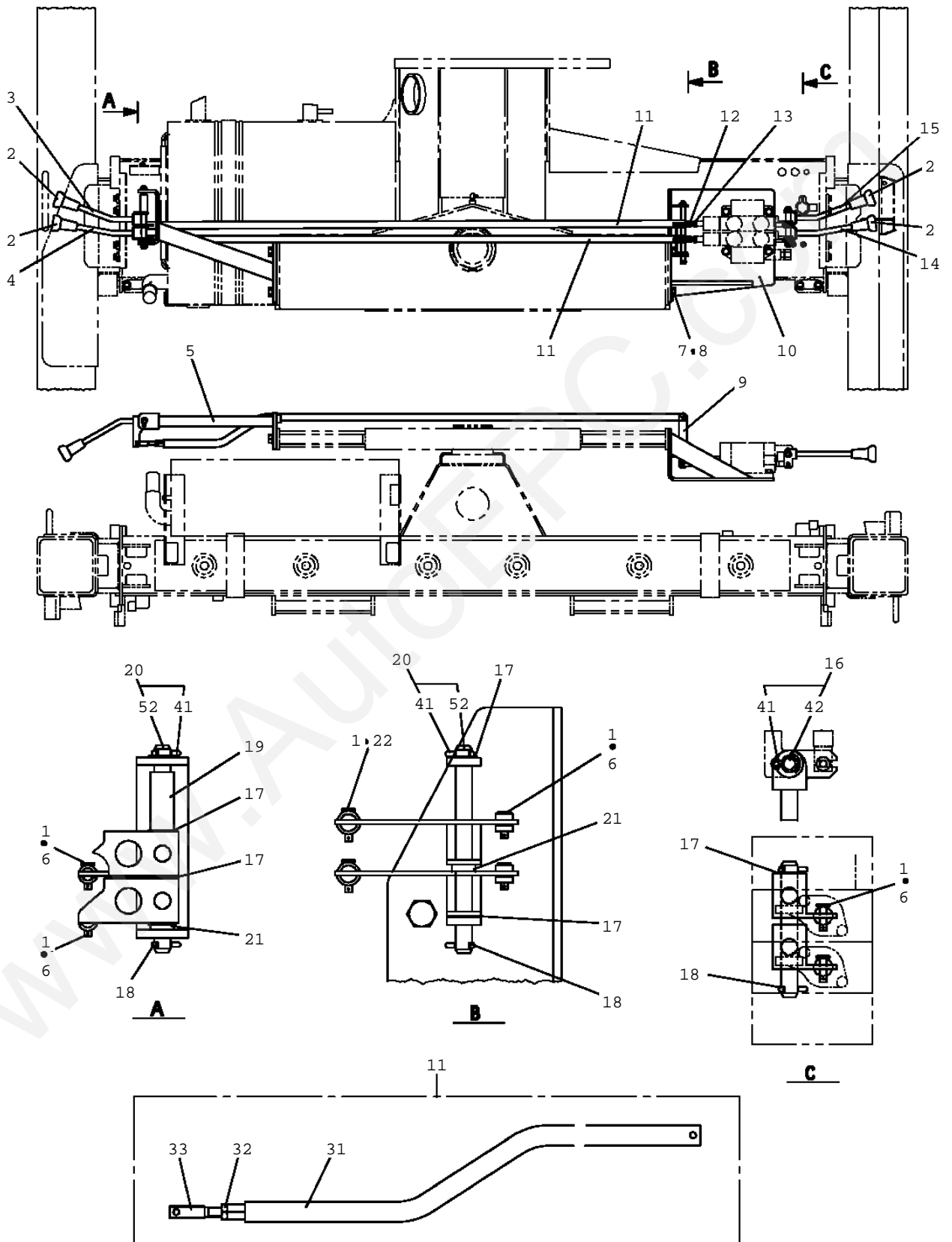


**TM-ZR300 31014010170A FRAME/SL,MANUAL,HOOK-IN**

Pos No.	Parts No	Parts Name	Qty	Unit	Technical Data	Serial No (Start)	Serial
1	90171112020	BOLT	2		M12X20		
2	90302041201	WASHER,SPRING	2		12		
3	31322520101	SUPPORT	1				
4	31475471200	SUPPORT	1				
5	31322160150	FORK	1				
6	37000105610	PIN	1		L=18		
7	80620210050	PIN,SNAP	1				
8	37000119080	PIN ASSY	1				
9	80136340020	PIN,SPLIT	1		4X20		
10	31322224200	PLATE	1		L=1		
11	31475471100	SUPPORT	1				
12	90186208014	BOLT,FLANGE	6		M8X14		
21	80136340020	PIN,SPLIT	1		4X20		
22	37000119090	PIN	1				

www.AutoEPC.com

TM-ZR300 31014010170A FRAME/SL, MANUAL, HOOK-IN  
 PL1011067-00 OPE.ASSY, CONT. VALVE

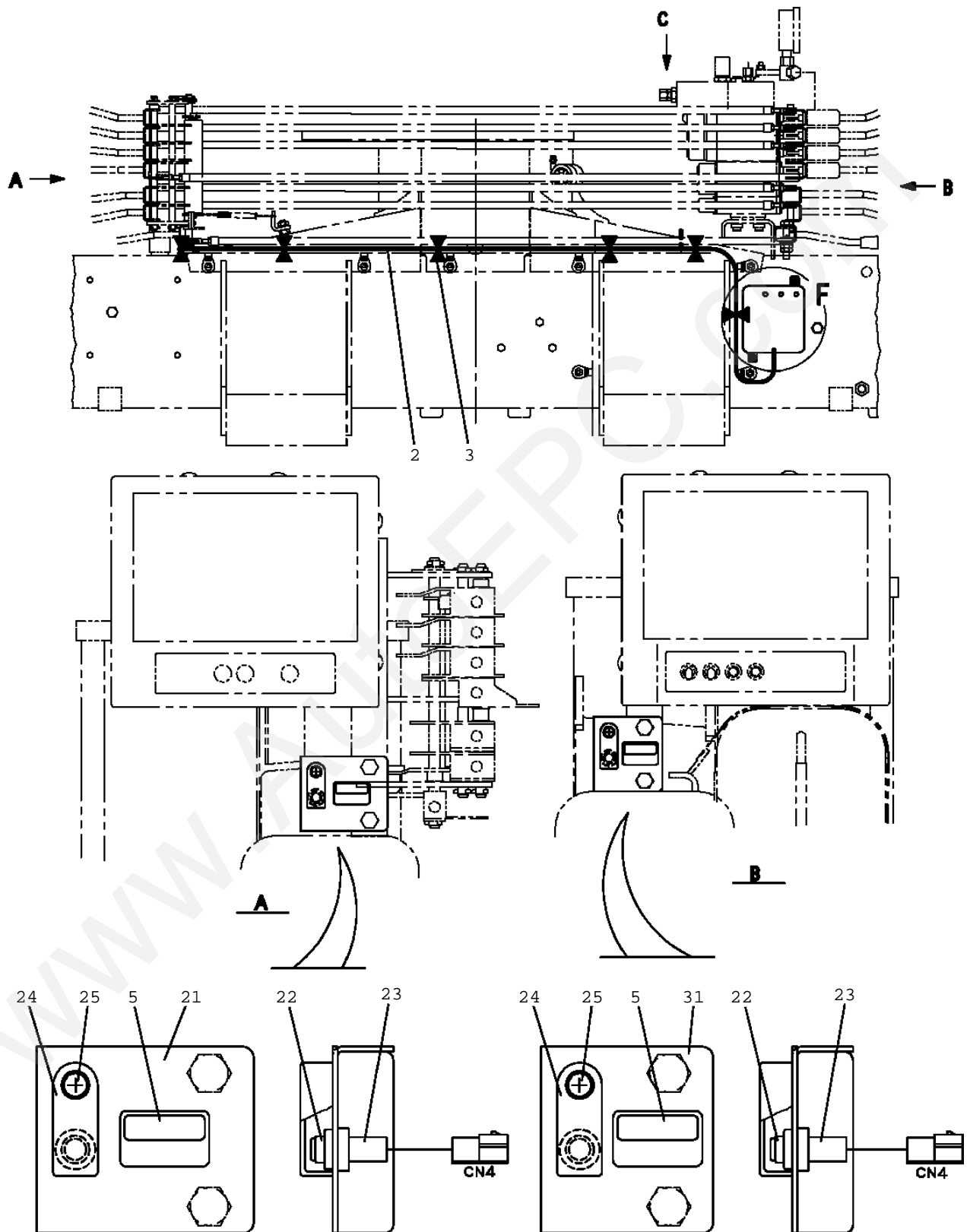


**TM-ZR300 31014010170A FRAME/SL,MANUAL,HOOK-IN**

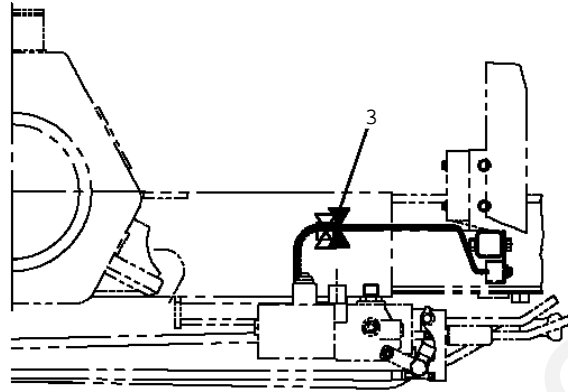
Pos No.	Parts No	Parts Name	Qty	Unit	Technical Data	Serial No (Start)	Serial
1	80620210050	PIN,SNAP	8				
2	31323330100	KNOB (BLACK)	4				
3	31322432002	LEVER	1				
4	31322432102	LEVER	1				
5	31322430101	SUPPORT	1				
6	37000105610	PIN	6		L=18		
7	90171112020	BOLT	4		M12X20		
8	90302041201	WASHER,SPRING	4		12		
9	31322432401	LINK	2				
10	31322430200	SUPPORT	1				
11	31322432501	ROD ASSY	2				
12	31701530200	END	2				
13	90203200800	NUT	2		M8		
14	31322432701	LEVER	1				
15	31322432601	LEVER	1				
16	37000150250	PIN ASSY	1				
17	31322224200	PLATE	5		L=1		
18	80136340020	PIN,SPLIT	3		4X20		
19	37000303890	SPACER	1		L=43		
20	37000157230	PIN ASSY	2				
21	37000311460	SPACER	2		L=5		
22	37000129200	PIN	2				
31	31322432550	ROD	2				
32	90203200800	NUT	2		M8		
33	31320810210	END	2				
41	80136340020	PIN,SPLIT	3		4X20		
42	37000150260	PIN	1				
52	37000157220	PIN	2				

www.AutoEPC.com

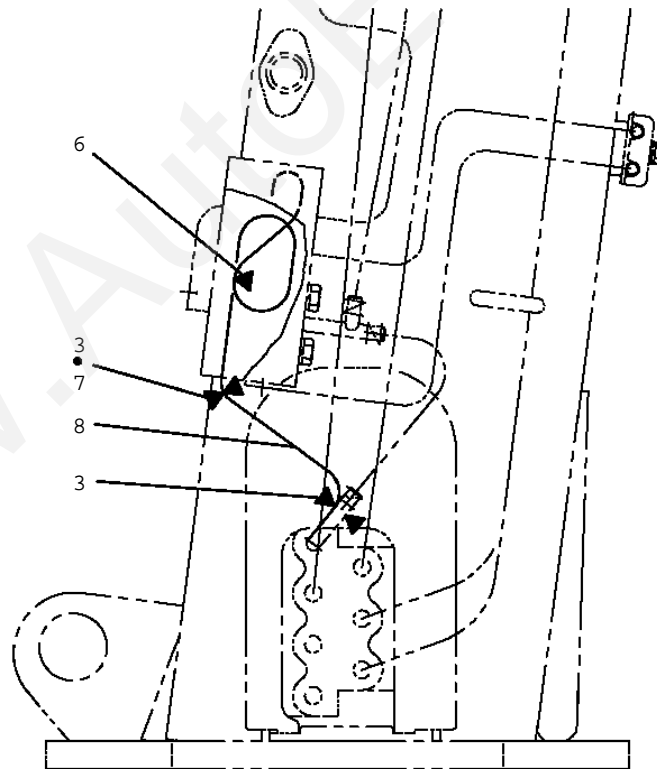
TM-ZR300 31014010170A FRAME/SL, MANUAL, HOOK-IN  
PN1012300-03 ELEC.ASSY (DRUM FREE)



TM-ZR300 31014010170A FRAME/SL, MANUAL, HOOK-IN  
PN1012300-03 ELEC.ASSY (DRUM FREE)



3



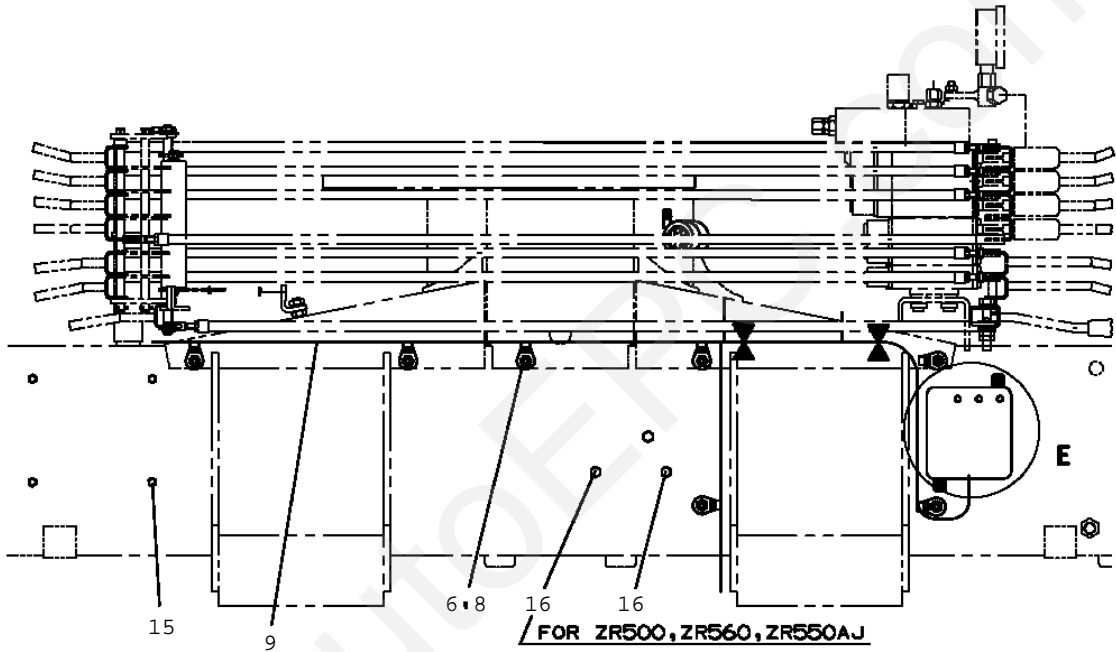
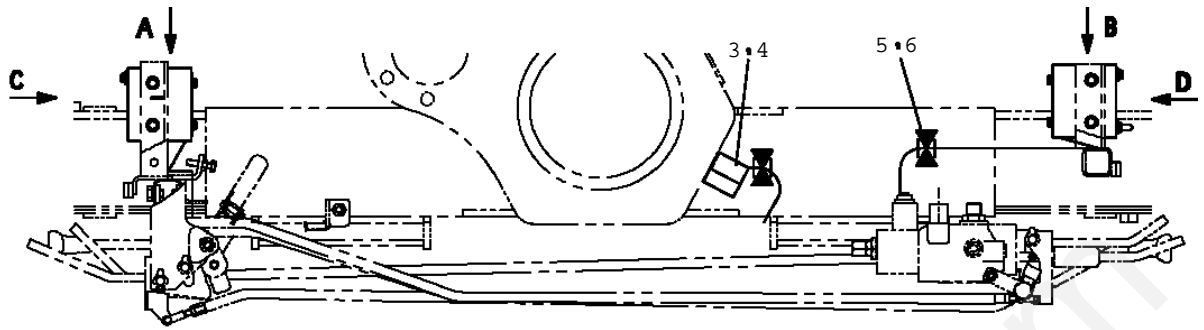
上部配線

**TM-ZR300 31014010170A FRAME/SL,MANUAL,HOOK-IN**

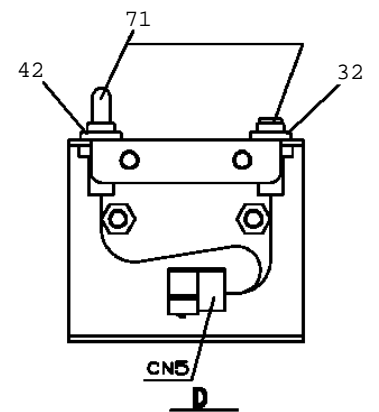
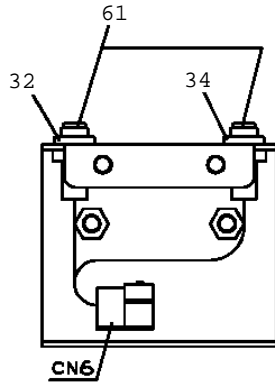
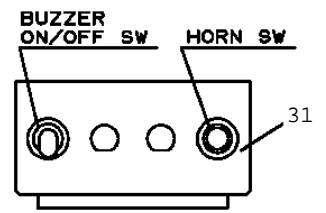
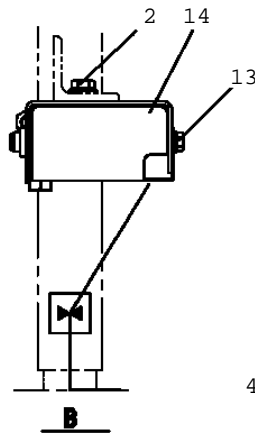
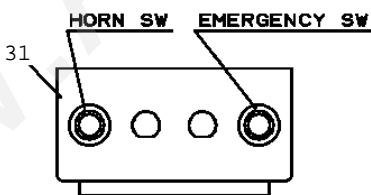
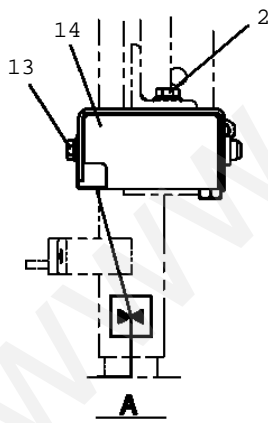
Pos No.	Parts No	Parts Name	Qty	Unit	Technical Data	Serial No
2	31477163300	HARNESS	1			
3	91810130240	FASTENER	9			
5	31473744160	PLATE,NAME	2			
6	91810130250	FASTENER	1			
7	91850310405	CLAMP (BLACK)	1			
8	31473462500	HARNESS	1			
21	31477163150	SUPPORT	1			
22	82197600101	CAP (BLACK)	2			
23	31653303200	SWITCH ASSY (NIHON AUTOMATIC)	2			
24	31651762400	COVER	2			
25	80192486010	SCREW,MACHINE	2		M6X10	
31	31477163250	SUPPORT	1			

www.AutoEPC.com

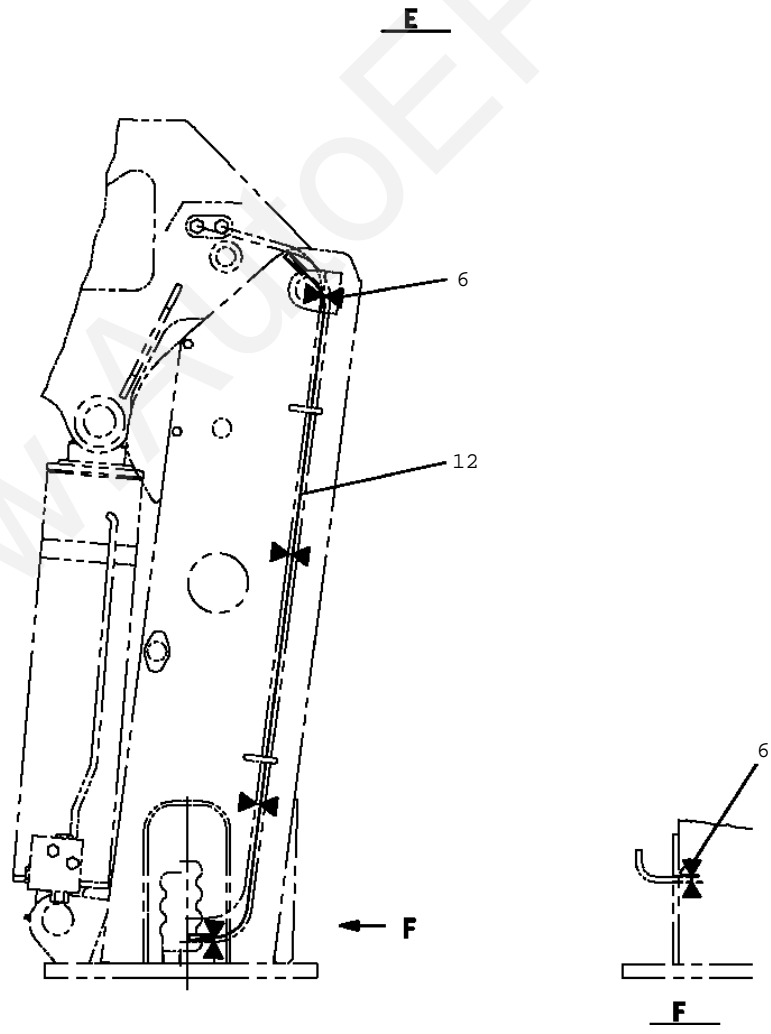
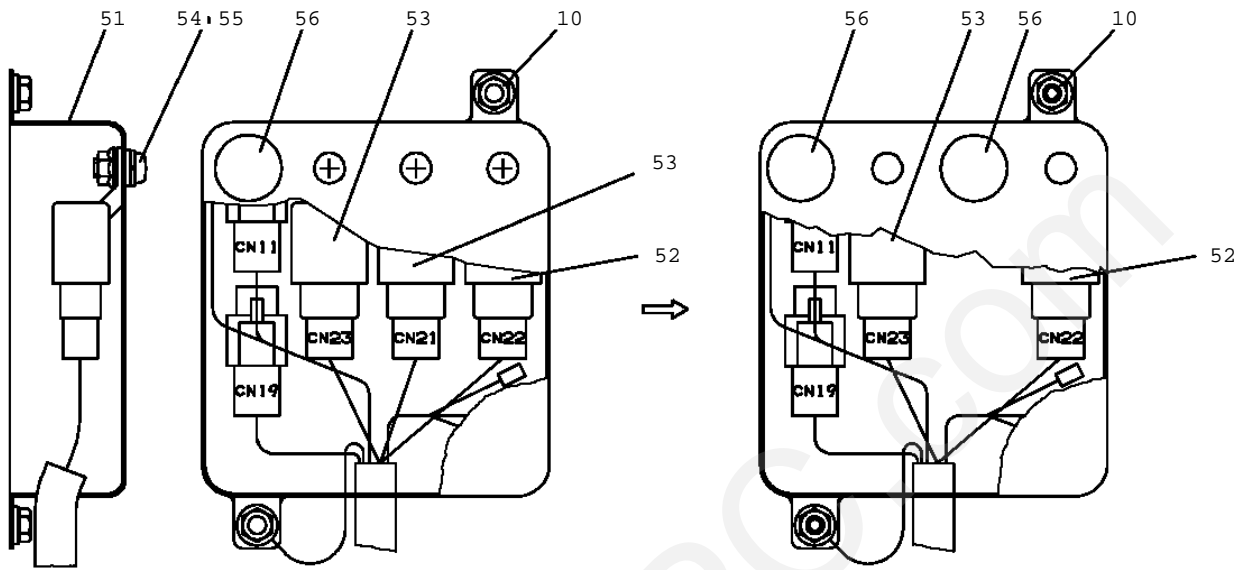
TM-ZR300 31014010170A FRAME/SL, MANUAL, HOOK-IN  
 PN1012301-06 ELEC.ASSY



FOR ZR500, ZR560, ZR550AJ



TM-ZR300 31014010170A FRAME/SL, MANUAL, HOOK-IN  
PN1012301-06 ELEC.ASSY

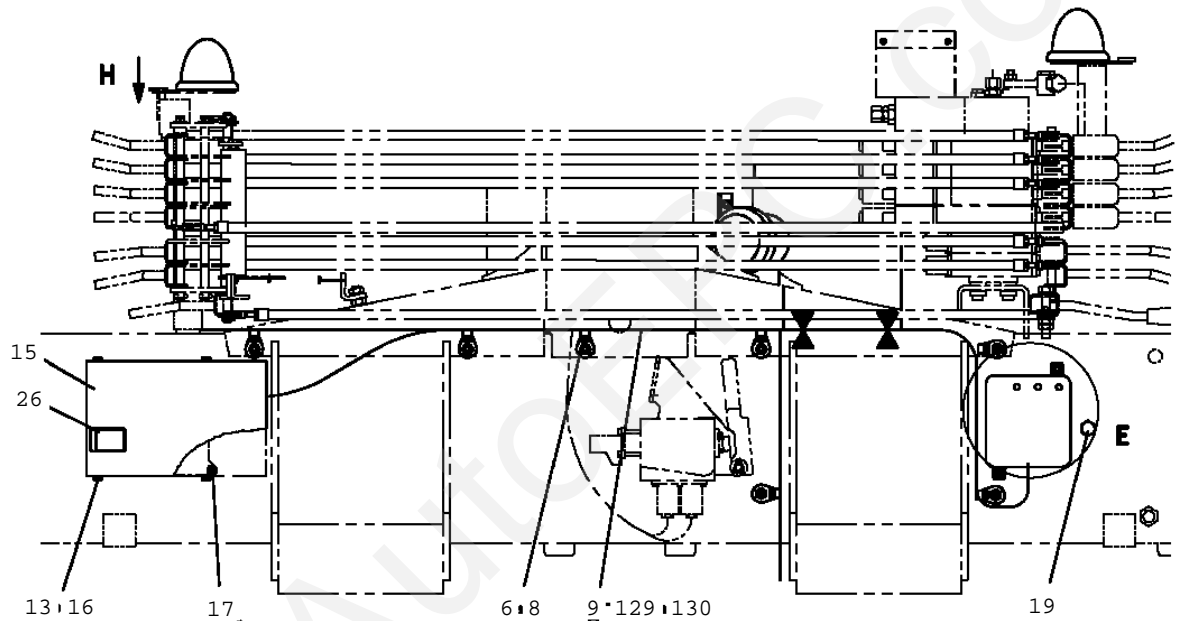
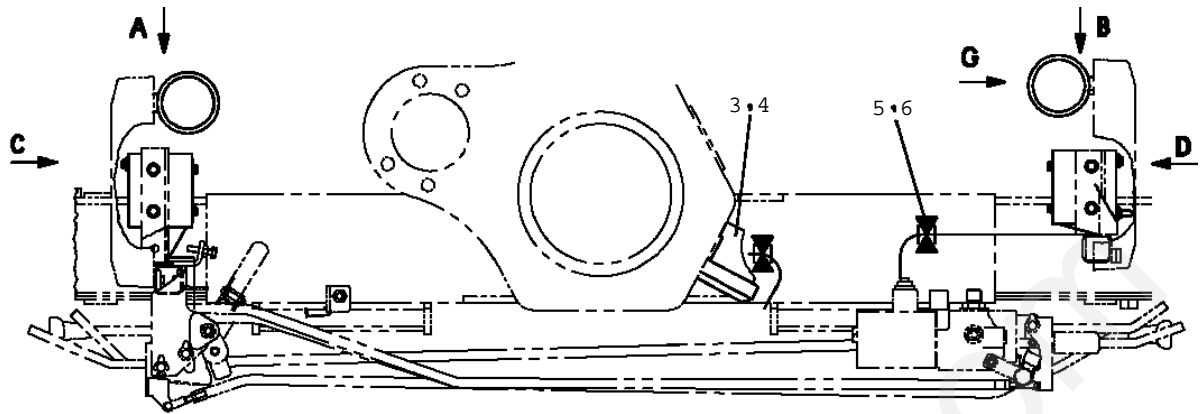




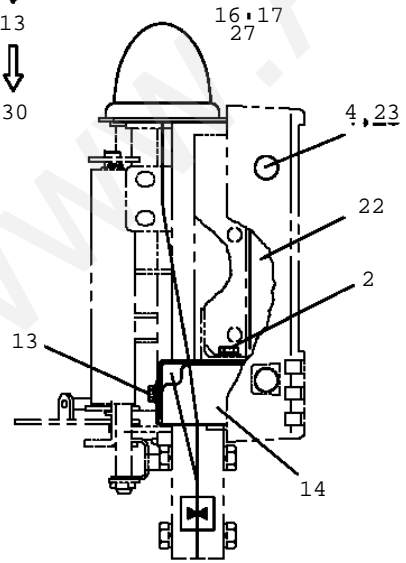
**TM-ZR300 31014010170A FRAME/SL,MANUAL,HOOK-IN**

Pos No.	Parts No	Parts Name	Qty	Unit	Technical Data	Serial No
2	90186208014	BOLT,FLANGE	4		M8X14	
3	31653241100	BUZZER ASSY	1			
4	90280200800	NUT,FLANGE	1		M8	
5	91850310405	CLAMP (BLACK)	4			
6	91810130240	FASTENER	18			
8	91850100802	CLAMP (STUD BOLT MOUNT)	7			
9	31653241202	HARNESS	1			
10	90280200600	NUT,FLANGE	2		M6	
12	31652160100	HARNESS	1		L=1400	
13	90186206010	BOLT,FLANGE	4		M6X10	
14	31653241300	COVER	2			
15	82401800060	PLUG (FOR M6)	4			
16	82401800080	PLUG (FOR M8)	3			
31	31653243100	SUPPORT	2			
32	82197600101	CAP (BLACK)	2			
34	82197600103	CAP (RED)	1			
42	82197518114	CAP (MATSUSHITA/BLACK)	1			
	82197518119	CAP (PLUS ONE MFG./BLACK)	1			
51	31653242200	COVER (PLASTIC)	1			
	31653242100	COVER (IRON)	1			
52	82100002597	RELAY	1			
53	82100002596	RELAY	1			
54	90280200600	NUT,FLANGE	2		M6	
55	80192486012	SCREW,MACHINE	2		M6X12	
56	82400000475	PLATE	2			
61	31653243400	SWITCH ASSY (GREEN: PANASONIC)	1			
	31653243300	SWITCH ASSY (PLATING: NACC)	1			
71	31653244200	SWITCH ASSY (PLATING: NACC)	1			
	31653244300	SWITCH ASSY (GREEN: PANASONIC)	1			

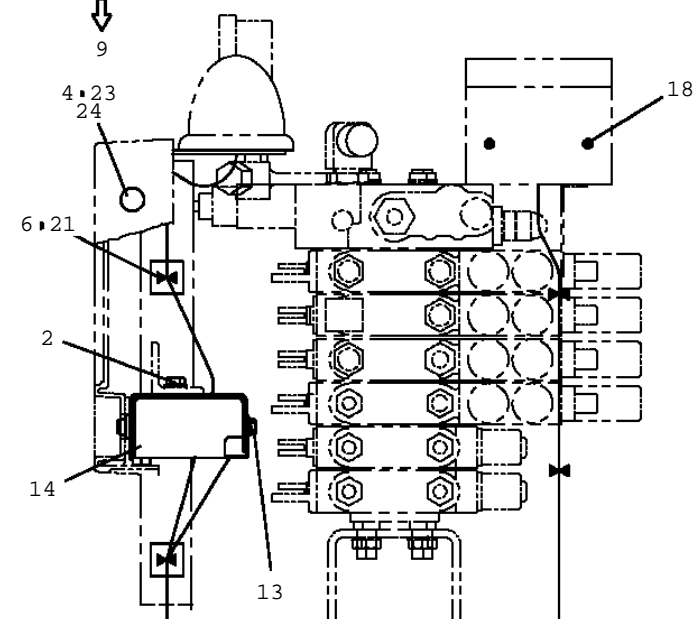
TM-ZR300 31014010170A FRAME/SL, MANUAL, HOOK-IN  
PN1012303-03 ELEC.ASSY



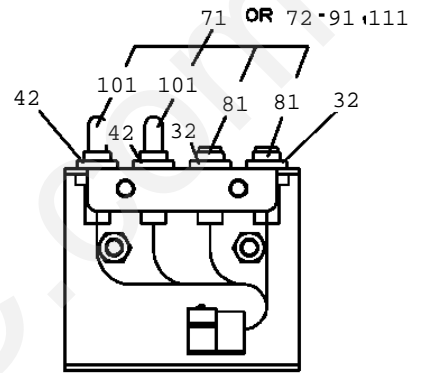
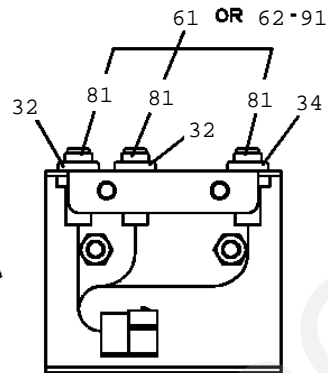
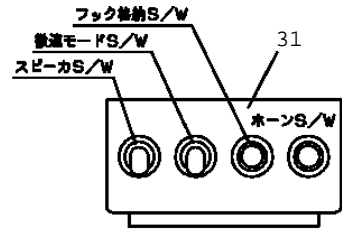
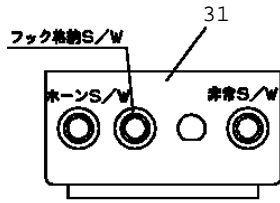
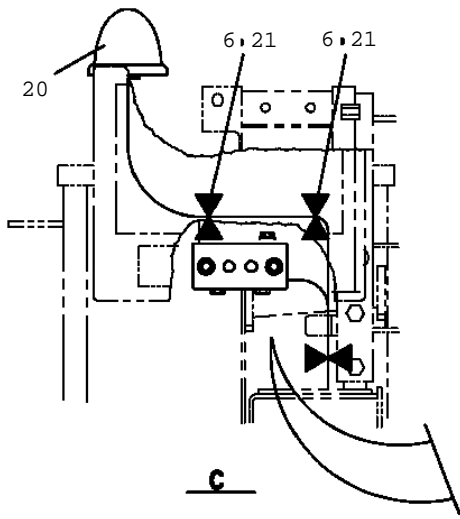
13.16  
↓  
13  
↓  
30



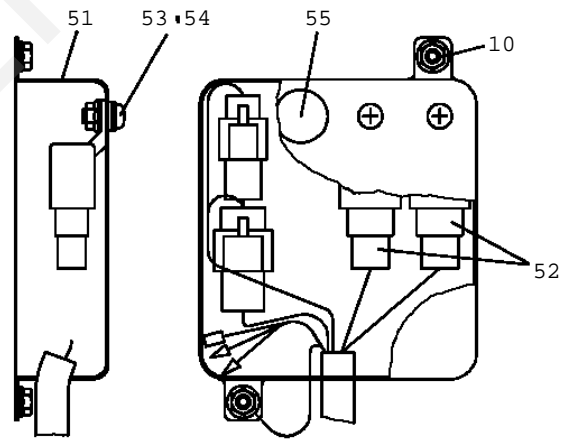
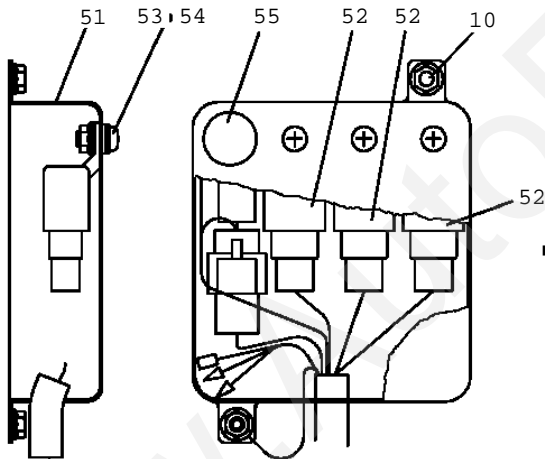
**A**



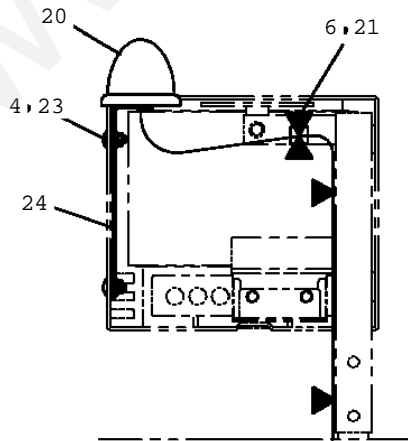
**B**



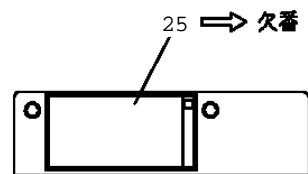
**D**



**E**

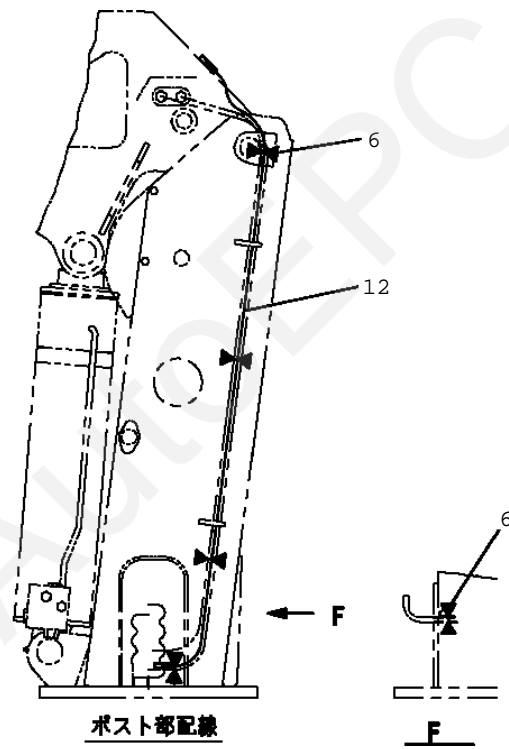


**G**



**H**

TM-ZR300 31014010170A FRAME/SL, MANUAL, HOOK-IN  
PN1012303-03 ELEC.ASSY

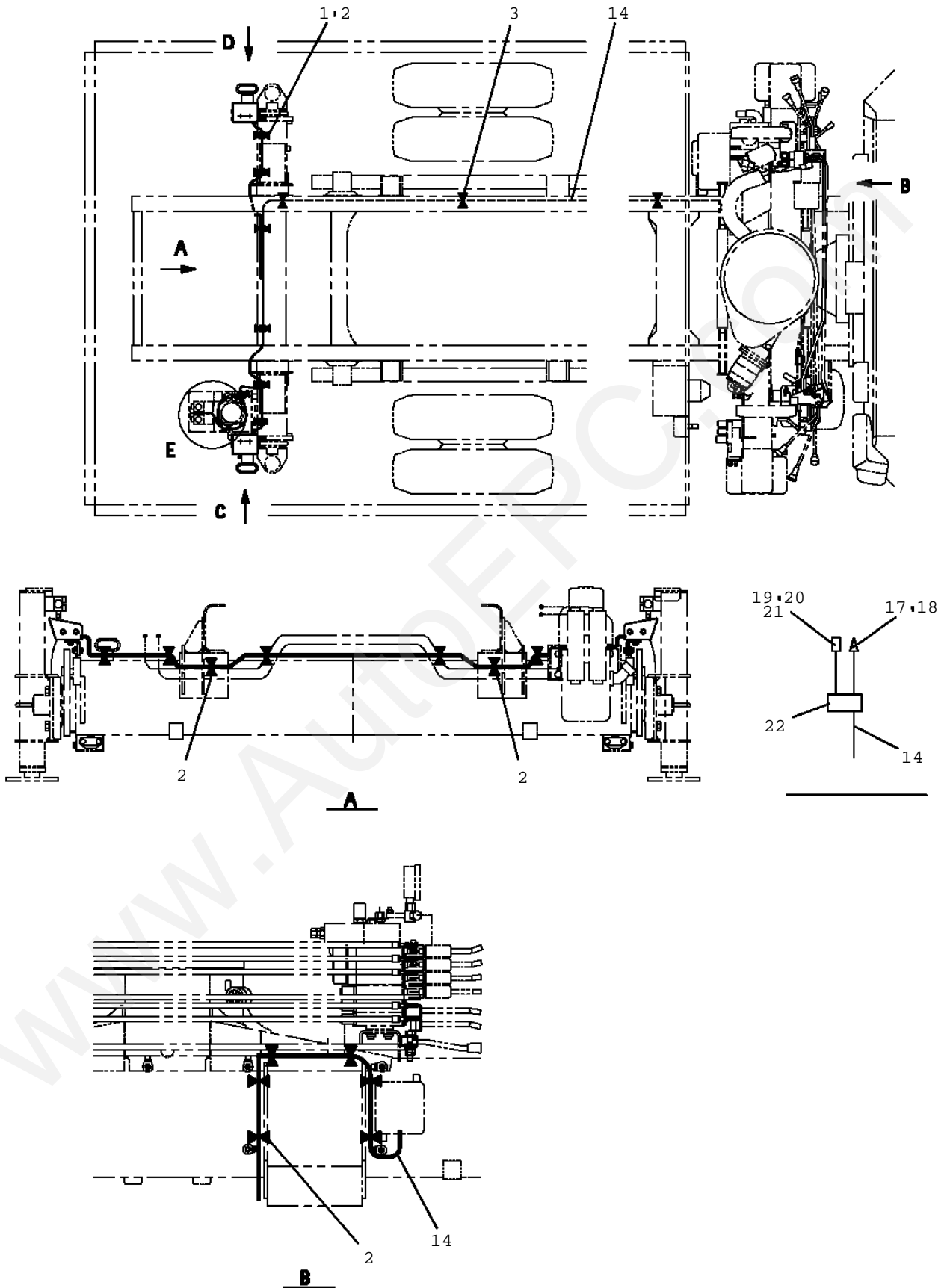


WWW.AJPHOTO.COM

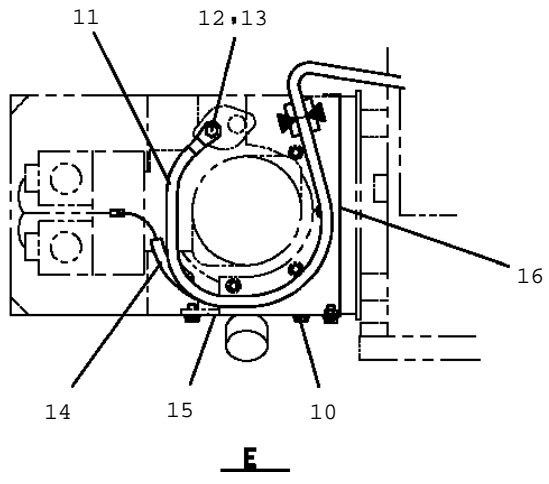
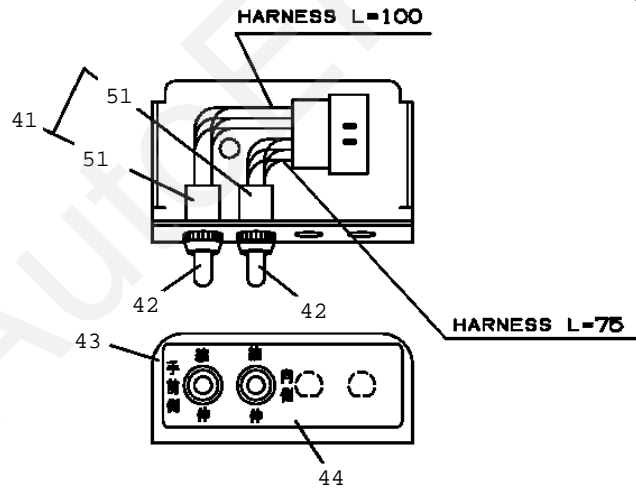
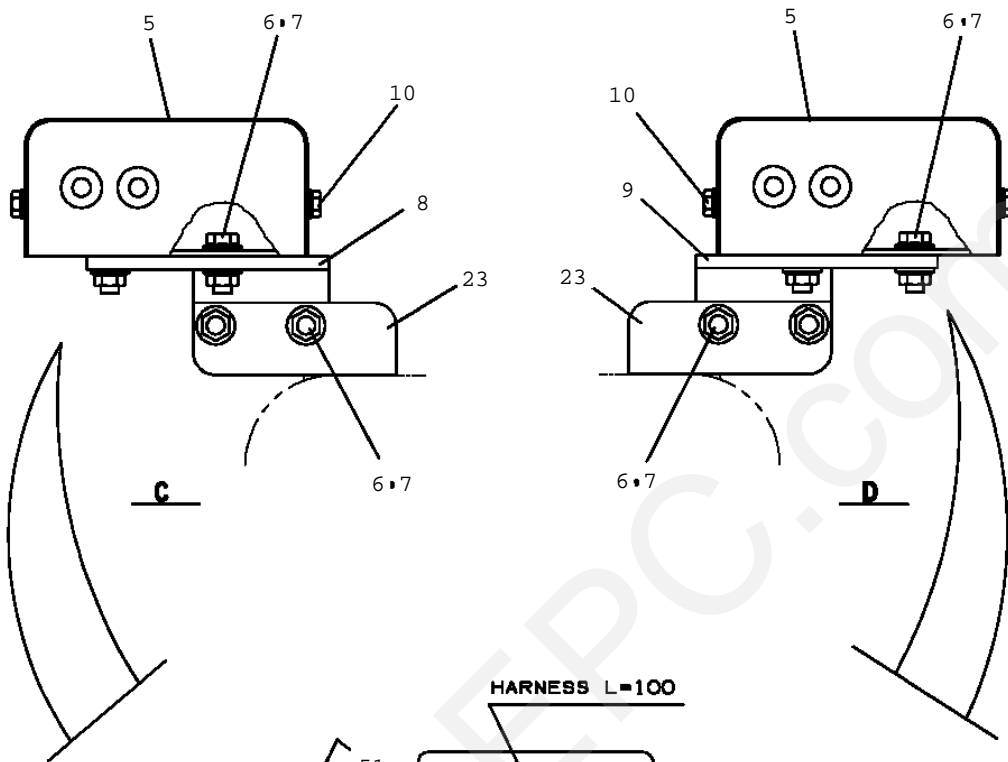
**TM-ZR300 31014010170A FRAME/SL, MANUAL, HOOK-IN**

Pos No.	Parts No	Parts Name	Qty	Unit	Technical Data	Serial No
2	90186208014	BOLT, FLANGE	4		M8X14	
3	31653221100	SPEAKER	1			
4	90280200800	NUT, FLANGE	5		M8	
5	91850310405	CLAMP (BLACK)	4			
6	91810130240	FASTENER	26			
8	91850100802	CLAMP (STUD BOLT MOUNT)	7			
9	31652561102	HARNESS	1			
10	90280200600	NUT, FLANGE	2		M6	
12	31652160100	HARNESS	1		L=1400	
13	90186206010	BOLT, FLANGE	4		M6X10	
14	31653241300	COVER	2			
15	31653221300	COVER	1			
	31653221500	COVER (IP)	1			
16	90303070601	WASHER, PLAIN	2		6	
17	90101206035	BOLT	4		M6X35	
18	80192483006	SCREW, MACHINE	4		M3X6	
19	82401800120	PLUG (FOR M12)	1			
20	82199444326	LAMP (YELLOW) <24V 12W)	2			
21	91850310305	CLAMP	4			
22	31653271200	SUPPORT	1			
23	80183308020	SCREW, MACHINE	4		M8X20	
24	31653271300	SUPPORT	1			
26	31651760800	PLATE, CAUTION	1			
27	90302040601	WASHER, SPRING	4		6	
30	90186306010	BOLT, FLANGE	4		M6X10	
32	31732211000	GUARD ASSY	1			
33	37010500850	PLATE	1		T=1.5	
34	91810130250	FASTENER	3			
41	31653243100	SUPPORT	2			
42	82197518114	CAP (MATSUSHITA/BLACK)	2			
	82197518119	CAP (PLUS ONE MFG./BLACK)	2			
44	82197600101	CAP (BLACK)	4			
51	31653242100	COVER (IRON)	1			
	31653242200	COVER (PLASTIC)	1			
52	82100002596	RELAY	2			
53	90280200600	NUT, FLANGE	2		M6	
54	80192486012	SCREW, MACHINE	2		M6X12	
55	82400000475	PLATE	2			
61	31653223200	SWITCH ASSY (PLATING:NACC)	1			
62	31653223300	SWITCH ASSY (GREEN: PANASONIC)	1			
71	31653224200	SWITCH ASSY (PLATING:NACC)	1			
72	31653224300	SWITCH ASSY (GREEN: PANASONIC)	1			
134	82197600103	CAP (RED)	1			
146	82166136411	BULB, LAMP	2		24V/12W	
151	31732211100	SUPPORT	1			
152	31732201200	PLATE	1			
153	31732201300	SEAL	1			

TM-ZR300 31014010170A FRAME/SL, MANUAL, HOOK-IN  
PN1012323-01 ELEC.ASSY (R/O, ROTARY, POWER SUPPLY)



TM-ZR300 31014010170A FRAME/SL, MANUAL, HOOK-IN  
PN1012323-01 ELEC.ASSY (R/O, ROTARY, POWER SUPPLY)

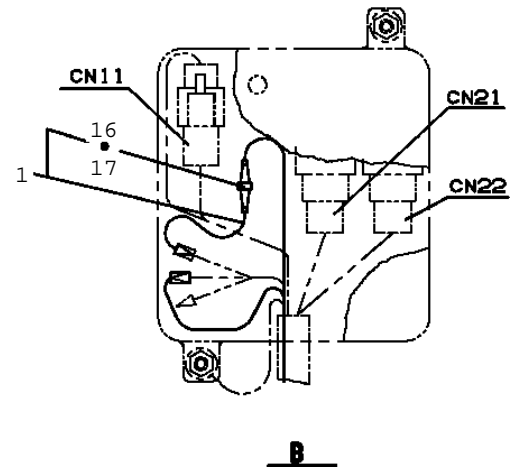
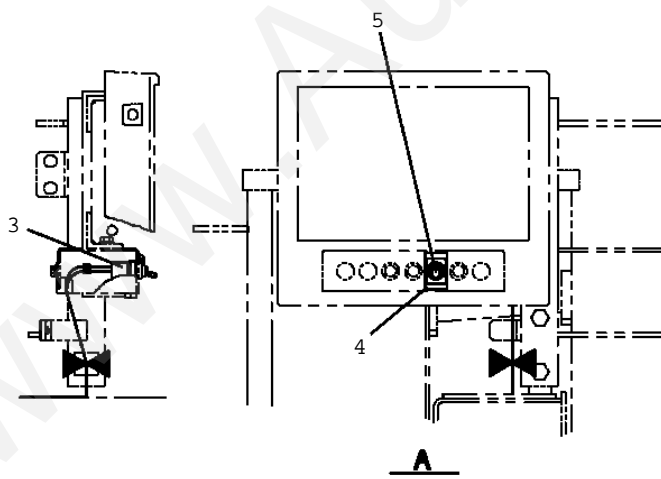
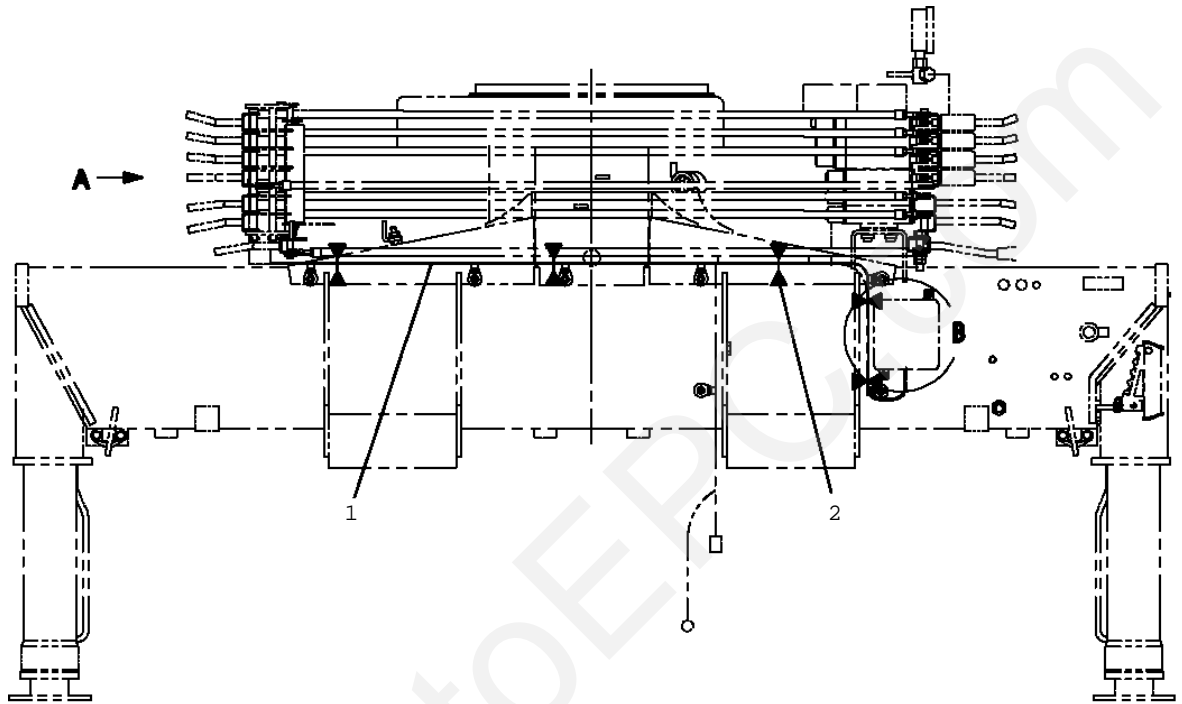


**TM-ZR300 31014010170A FRAME/SL,MANUAL,HOOK-IN**

Pos No.	Parts No	Parts Name	Qty	Unit	Technical Data	Serial
1	91850310405	CLAMP (BLACK)	7			
2	91810130240	FASTENER	15			
3	91810130250	FASTENER	5			
5	31653321200	COVER	2			
6	90186208020	BOLT,FLANGE	8		M8X20	
7	90280200800	NUT,FLANGE	8		M8	
8	31653470100	SUPPORT	1			
9	31653470200	SUPPORT	1			
10	90186206010	BOLT,FLANGE	12		M6X10	
11	31611614300	HARNESS	1		L=10000	
12	82100002503	TERMINAL	1			
13	82100001226	INSULATOR	1			
14	31653470300	HARNESS	1			
15	31611614500	COVER	1			
16	31611614400	COVER	1			
17	82100000192	TERMINAL	1			
18	82100000182	INSULATOR	1			
19	82100000191	TERMINAL	1			
20	82100000183	INSULATOR	1			
21	82100002855	CAP	1			
22	82100002674	CONNECTOR (1.25-2)	1			
23	37000573560	PLATE	2			
41	31653322200	SWITCH ASSY (WITH HARNESS,2-SW)	2			
42	82197518119	CAP (PLUS ONE MFG./BLACK)	4			
	82197518114	CAP (MATSUSHITA/BLACK)	4			
43	31653322100	SUPPORT	2			
44	31653471100	PLATE,NAME	2			



TM-ZR300 31014010170A FRAME/SL, MANUAL, HOOK-IN  
PN1012343-02 ELEC.ASSY (LAMP, LOWER/FRAME)

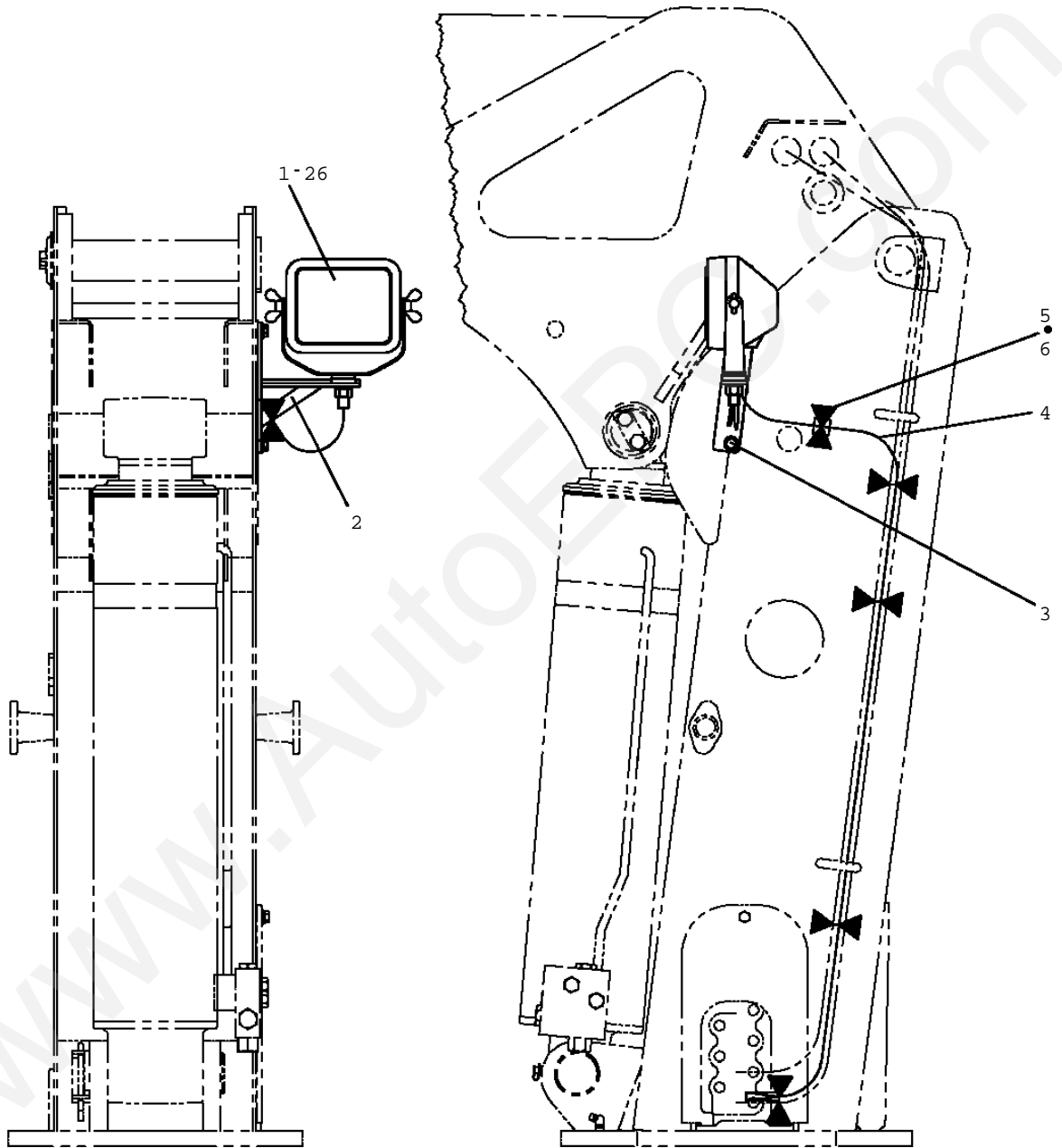


**TM-ZR300 31014010170A FRAME/SL,MANUAL,HOOK-IN**

Pos No.	Parts No	Parts Name	Qty	Unit	Technical Data	Serial No (S
1	31477311300	HARNES	1			
2	91810130240	FASTENER	6			
3	31477311200	SWITCH ASSY (PLATING:NACC)	1			
4	31477311100	PLATE,NAME	1			
5	82197518119	CAP (PLUS ONE MFG./BLACK)	1			
	82197518114	CAP (MATSUSHITA/BLACK)	1			
16	82100002832	HOLDER,FUSE	1			
17	82100000791	FUSE	1		5A,6.5X30	

www.AutoEPC.com

TM-ZR300 31014010170A FRAME/SL, MANUAL, HOOK-IN  
PN1012344-02 ELEC.ASSY (24V60W LAMP/MOUNT, POST)

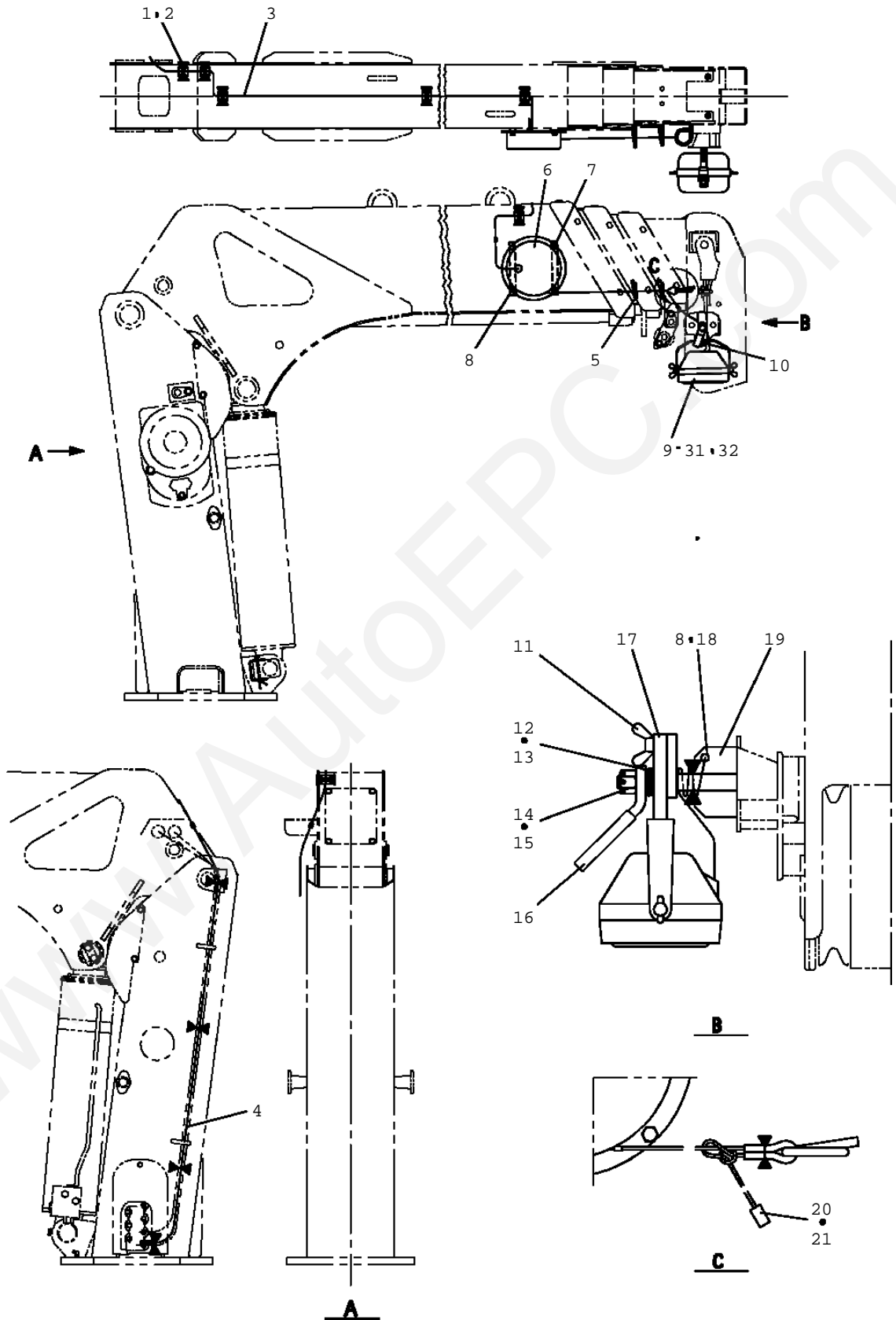


**TM-ZR300 31014010170A FRAME/SL,MANUAL,HOOK-IN**

Pos No.	Parts No	Parts Name	Qty	Unit	Technical Data	Serial No (Start)	Serial
1	82199100026	LAMP	1		24V 60W		
2	31473462100	SUPPORT	1				
3	90186208014	BOLT,FLANGE	2		M8X14		
4	31473744700	HARNES (RED)	1		L=1000		
5	91850310305	CLAMP	1				
6	91810130240	FASTENER	5				
26	82100000054	BULB,LAMP	1		24V 60W		

www.AutoEPC.com

TM-ZR300 31014010170A FRAME/SL, MANUAL, HOOK-IN  
PN1012345-01 ELEC.ASSY (24V45W LAMP/MOUNT, BOOM)

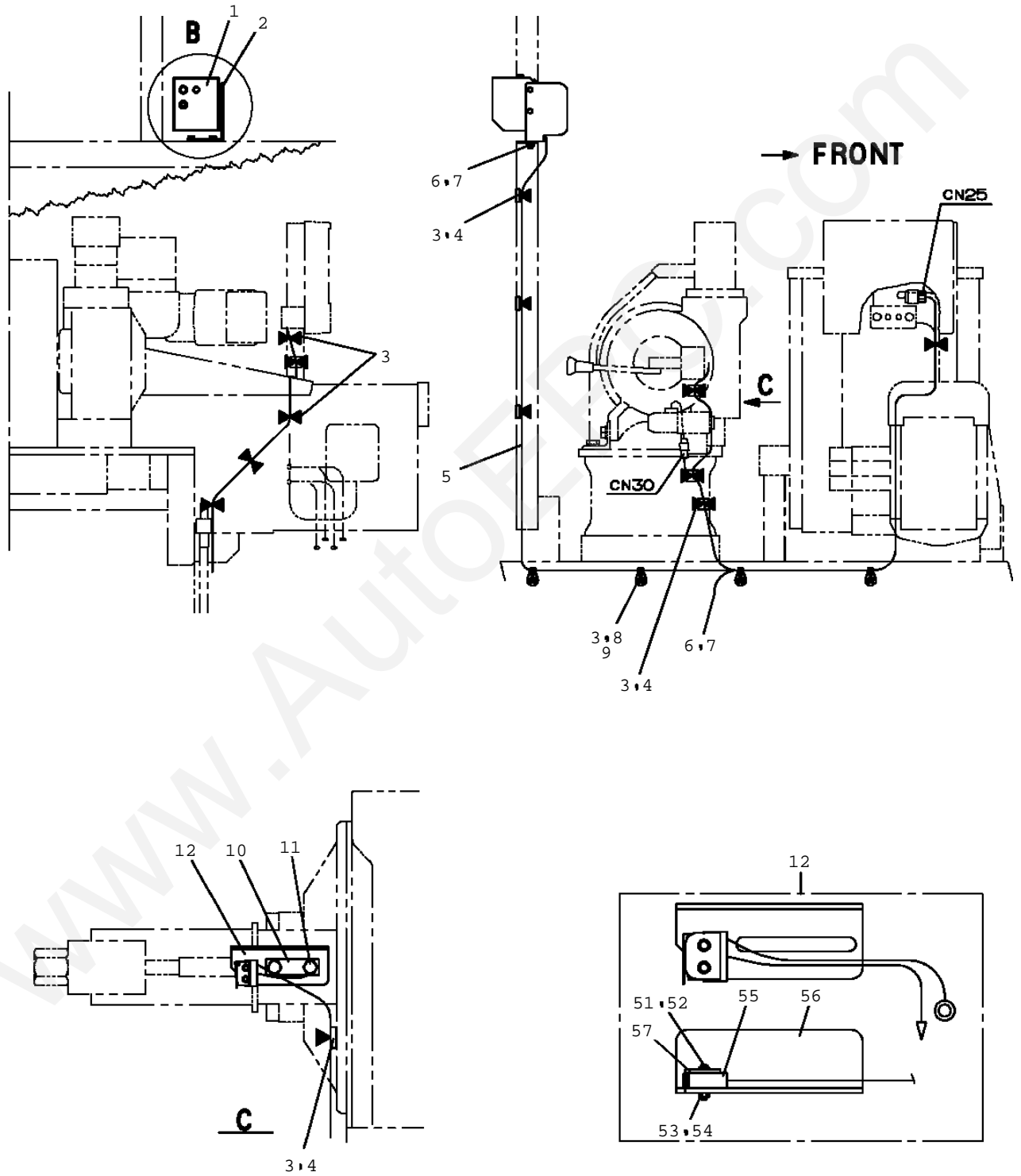


**TM-ZR300 31014010170A FRAME/SL, MANUAL, HOOK-IN**

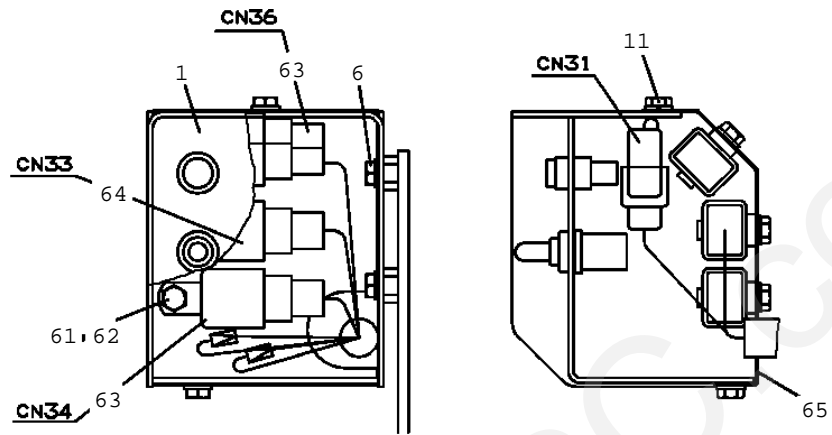
Pos No.	Parts No	Parts Name	Qty	Unit	Technical Data	Serial No (Start)	Serial
1	91850310305	CLAMP	8				
2	91810130240	FASTENER	14				
3	31473472100	HARNES (RED)	1		L=3000		
4	31473460300	HARNES (RED)	1		L=1600		
5	32200156090	SUPPORT	5				
6	36160670000	REEL, CORD	1				
7	31650690200	PLATE	2		T=9		
8	90186206010	BOLT, FLANGE	5		M6X10		
9	82165904030	LAMP	1		24V 45W		
10	90280201000	NUT, FLANGE	1		M10		
11	90813108020	BOLT, WING	1		M8X20		
12	90309331201	WASHER	2		L12		
13	90303071201	WASHER, PLAIN	1		12		
14	90236201200	NUT, CASTLE	1		2H M12		
15	80136325025	PIN, SPLIT	1		2.5X25		
16	31650690500	LEVER	1				
17	31650690400	SUPPORT	1				
18	90280200600	NUT, FLANGE	1		M6		
19	31477322100	SUPPORT	1				
20	82100000191	TERMINAL	1				
21	82100000183	INSULATOR	1				
31	82100002850	LENS	1				
32	82166025550	BULB, LAMP	1		24V 45W		

www.AutoEPC.com

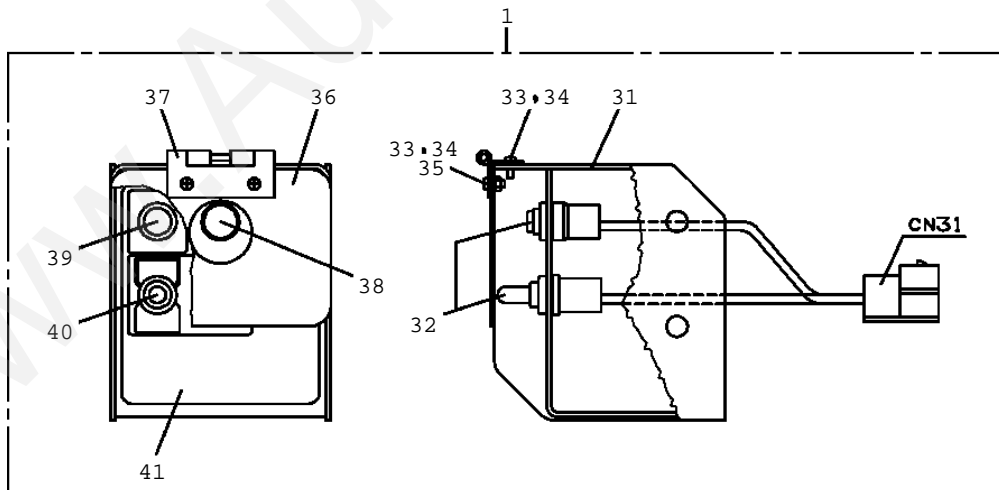
TM-ZR300 31014010170A FRAME/SL, MANUAL, HOOK-IN  
PN1012530-03 ELEC.ASSY (SL,F-RADIO CONTROL/SWITCH)



TM-ZR300 31014010170A FRAME/SL, MANUAL, HOOK-IN  
PN1012530-03 ELEC.ASSY (SL, F-RADIO CONTROL/SWITCH)



**B**

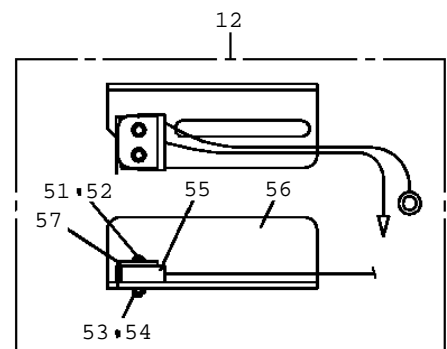
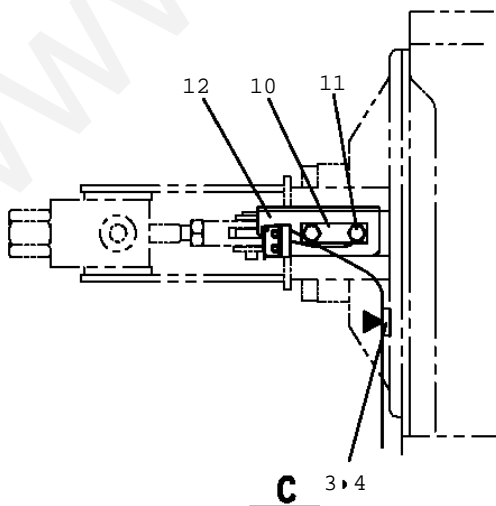
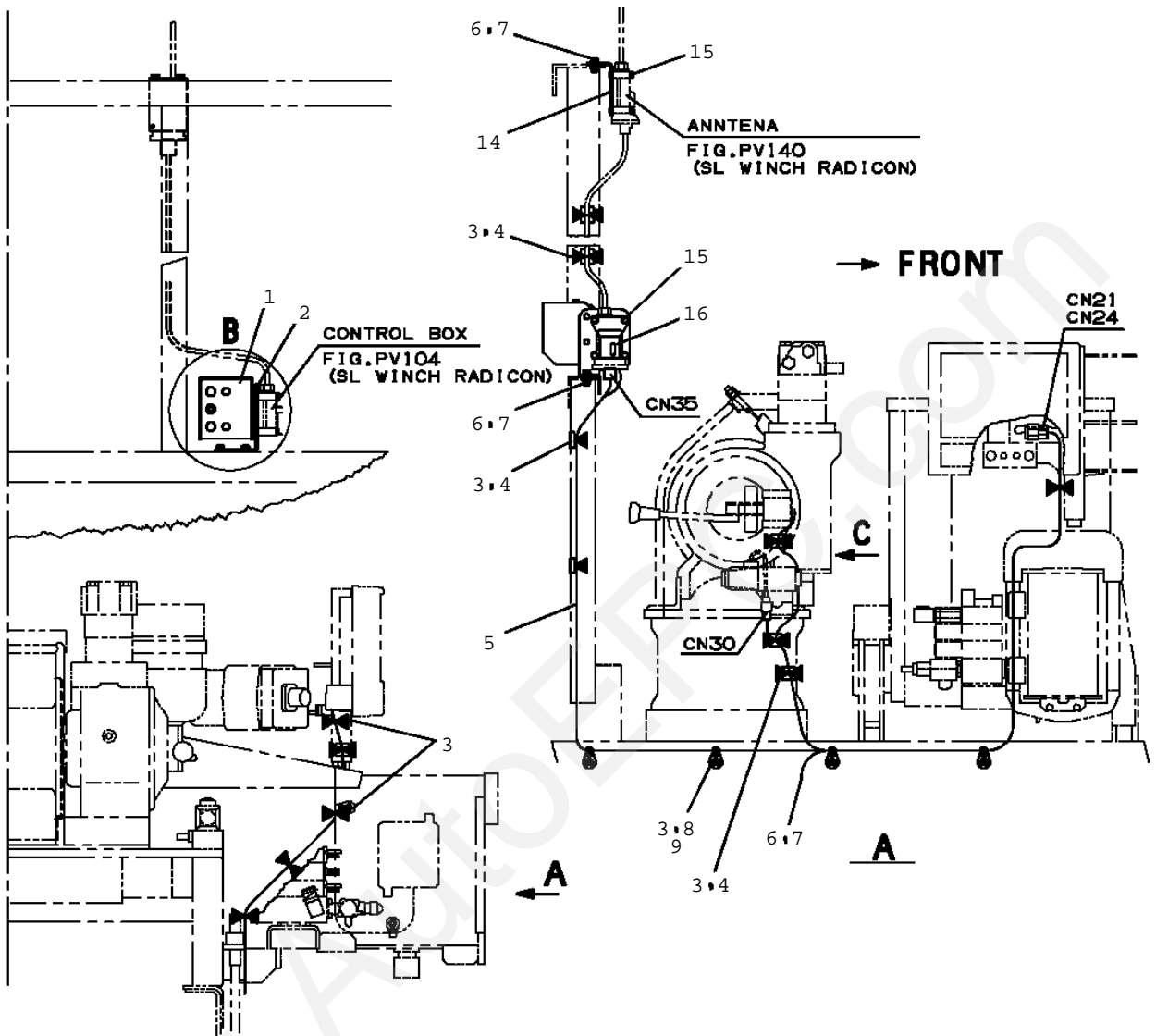




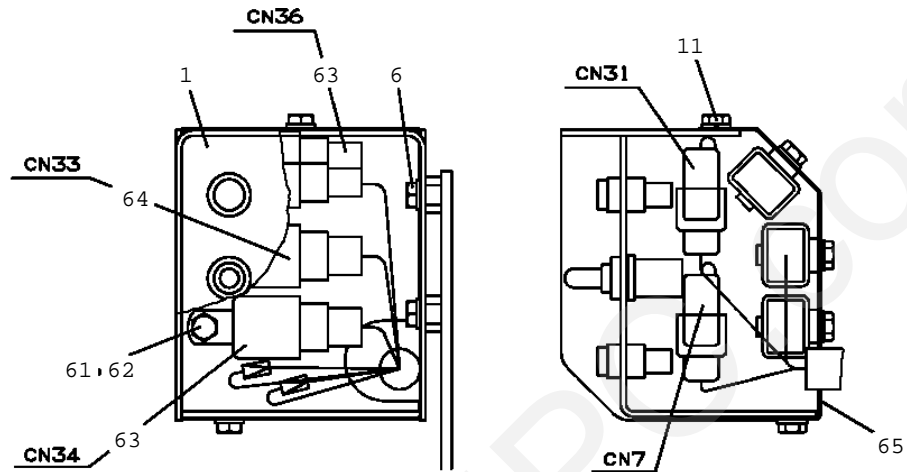
**TM-ZR300 31014010170A FRAME/SL,MANUAL,HOOK-IN**

Pos No.	Parts No	Parts Name	Qty	Unit	Technical Data	Serial No
1	31653741000	SWITCH ASSY	1			
2	31653740300	SUPPORT	1			
3	91810130240	FASTENER	20			
4	91850310405	CLAMP (BLACK)	10			
5	31653740100	HARNESS	1			
6	90186208025	BOLT, FLANGE	5		M8X25	
7	90280200800	NUT, FLANGE	3		M8	
8	91850100802	CLAMP (STUD BOLT MOUNT)	4			
9	90101206025	BOLT	4		M6X25	
10	37000576020	PLATE	1			
11	90186206016	BOLT, FLANGE	5		M6X16	
12	31653740500	SWITCH ASSY	1			
31	31653741100	PANEL	1			
32	31653741600	SWITCH ASSY (GREEN: PANASONIC)	1			
	31653741200	SWITCH ASSY (PLATING: NACC)	1			
33	80171303008	SCREW, MACHINE	4		M3X8	
34	90302040301	WASHER, SPRING	4		3	
35	90201200300	NUT	2		M3	
36	31653741300	COVER	1			
37	82464104601	HINGE	1			
38	42650551130	LAMP ASSY (GREEN)	1			
39	82197600103	CAP (RED)	1			
40	82197518119	CAP (PLUS ONE MFG./BLACK)	1			
	82197518114	CAP (MATSUSHITA/BLACK)	1			
41	31653741400	PLATE, NAME	1			
51	80161302014	SCREW, MACHINE	2		M2X14	
52	90303070201	WASHER, PLAIN	2		2	
53	90302040201	WASHER, SPRING (2)	2			
54	90201200200	NUT	2		M2	
55	31652231120	SWITCH	1			
56	31653740510	SUPPORT	1			
57	31653740520	SUPPORT	1			
61	90186206014	BOLT, FLANGE	3		M6X14	
62	90201200600	NUT	3		M6	
63	82100002596	RELAY	1			
64	82100002597	RELAY	2			
65	31653742100	COVER	1			

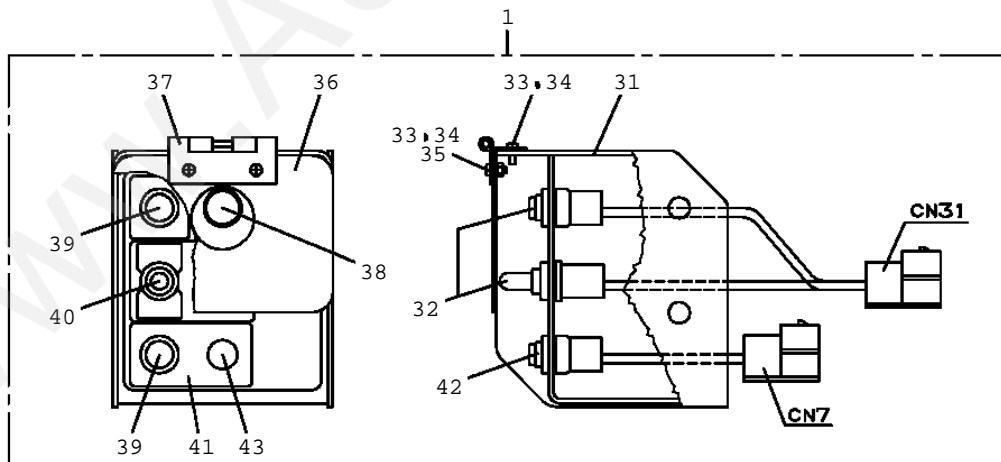
TM-ZR300 31014010170A FRAME/SL, MANUAL, HOOK-IN  
 PN1012531-03 ELEC.ASSY (SELF,S-RADIO CONTROL)



TM-ZR300 31014010170A FRAME/SL, MANUAL, HOOK-IN  
PN1012531-03 ELEC.ASSY (SELF, S-RADIO CONTROL)



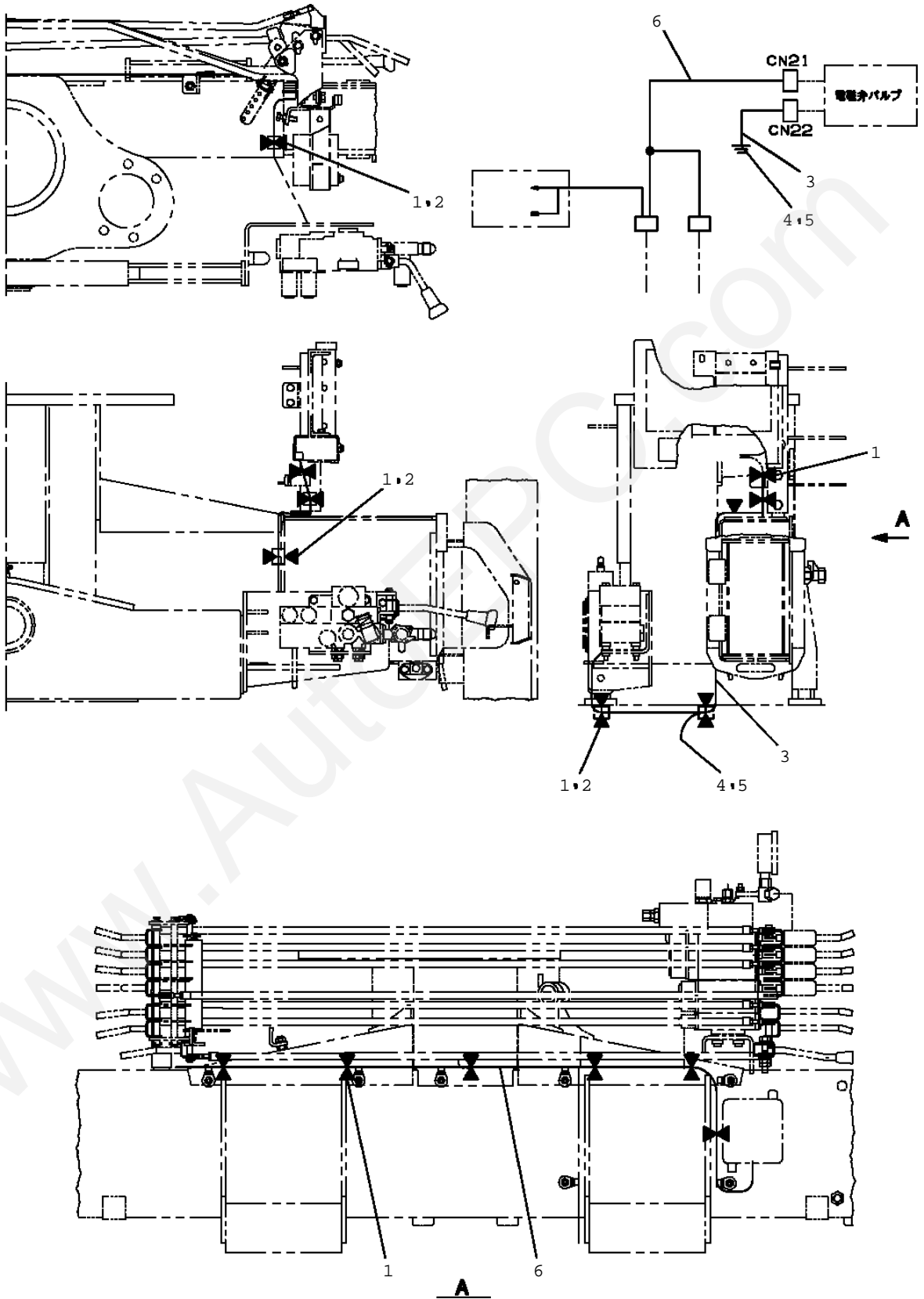
**B**



**TM-ZR300 31014010170A FRAME/SL,MANUAL,HOOK-IN**

Pos No.	Parts No	Parts Name	Qty	Unit	Technical Data	Serial No
1	31653861000	SWITCH ASSY	1			
2	31653740300	SUPPORT	1			
3	91810130240	FASTENER	25			
4	91850310405	CLAMP (BLACK)	15			
5	31653860100	HARNES	1			
6	90186208025	BOLT,FLANGE	7		M8X25	
7	90280200800	NUT,FLANGE	5		M8	
8	91850100802	CLAMP (STUD BOLT MOUNT)	4			
9	90101206025	BOLT	4		M6X25	
10	37000576020	PLATE	1			
11	90186206016	BOLT,FLANGE	5		M6X16	
12	31653740500	SWITCH ASSY	1			
13	31653862000	COVER ASSY	1			
14	31652840100	SUPPORT	1			
15	90186206045	BOLT,FLANGE	8		M6X45	
16	31652391300	COVER	1			
31	31653741100	PANEL	1			
32	31653741200	SWITCH ASSY (PLATING:NACC)	1			
33	80171303008	SCREW,MACHINE	4		M3X8	
34	90302040301	WASHER,SPRING	4		3	
35	90201200300	NUT	2		M3	
36	31653741300	COVER	1			
37	82464104601	HINGE	1			
38	42650551130	LAMP ASSY (GREEN)	1			
39	82197600103	CAP (RED)	2			
40	82197518114	CAP (MATSUSHITA/BLACK)	1			
	82197518119	CAP (PLUS ONE MFG./BLACK)	1			
41	31653861100	PLATE,NAME	1			
42	31652112300	SWITCH ASSY (NIHON AUTOMATIC)	1			
43	42433333300	LAMP ASSY (RED)<24V)	1			
51	80161302014	SCREW,MACHINE	2		M2X14	
52	90303070201	WASHER,PLAIN	2		2	
53	90302040201	WASHER,SPRING (2)	2			
54	90201200200	NUT	2		M2	
55	31652231120	SWITCH	1			
56	31653740510	SUPPORT	1			
57	31653740520	SUPPORT	1			
61	90186206014	BOLT,FLANGE	3		M6X14	
62	90201200600	NUT	3		M6	
63	82100002596	RELAY	2			
64	82100002597	RELAY	1			
65	31653742100	COVER	1			

TM-ZR300 31014010170A FRAME/SL, MANUAL, HOOK-IN  
PN1012644-00 ELEC.ASSY (SELF WINCH, RADIO CONTROL)

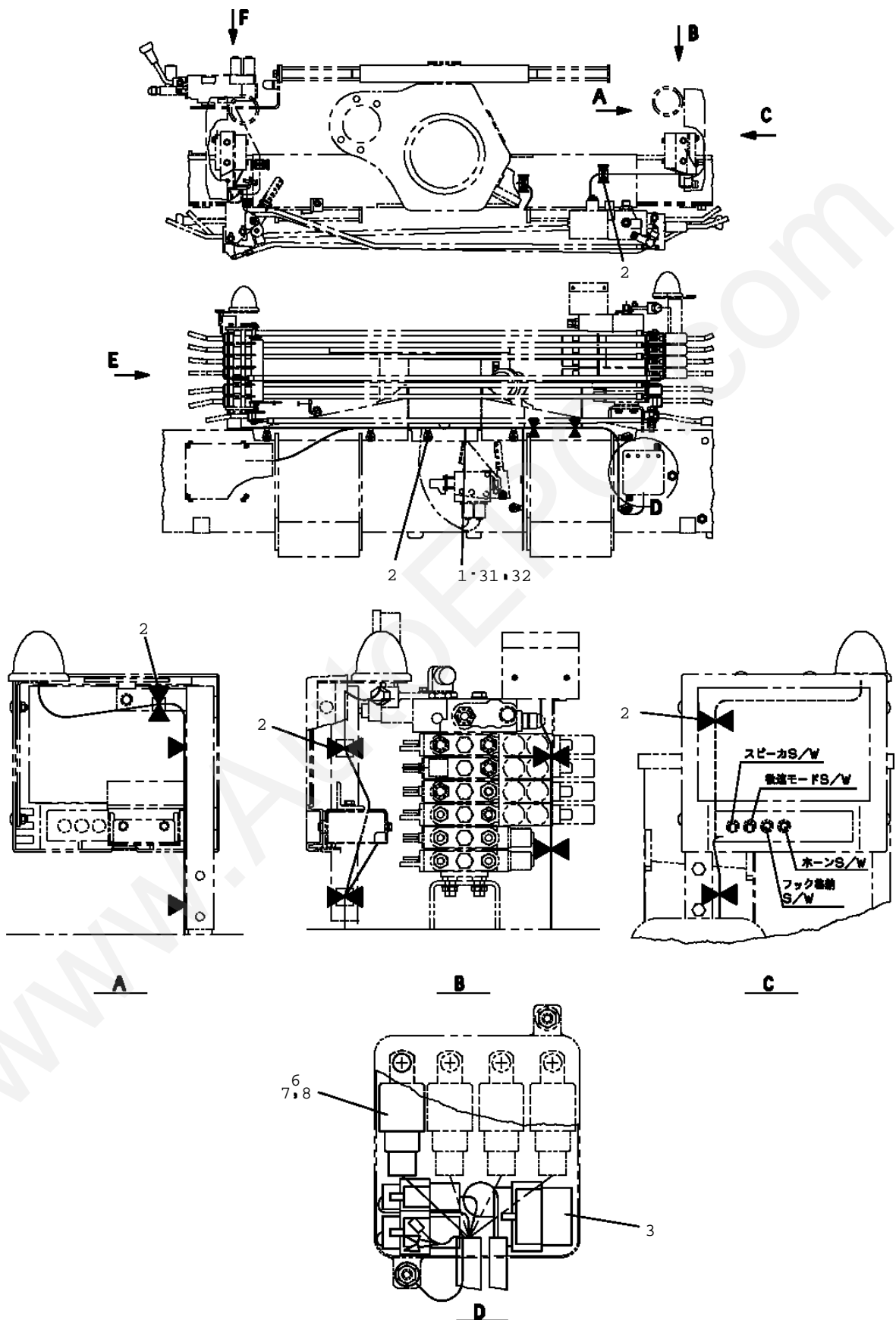


**TM-ZR300 31014010170A FRAME/SL,MANUAL,HOOK-IN**

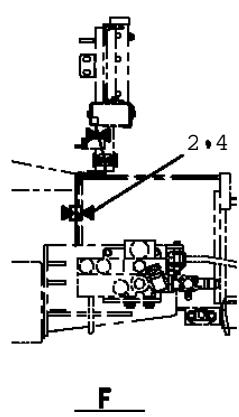
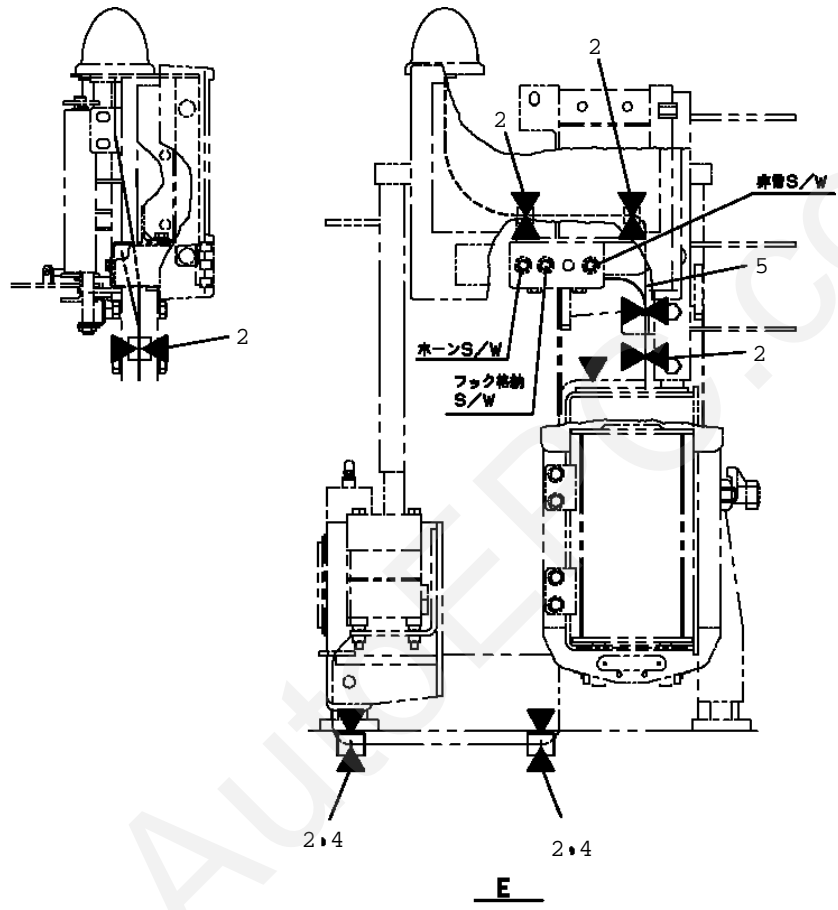
Pos No.	Parts No	Parts Name	Qty	Unit	Technical Data	Serial No (Start)	Serial
1	91810130240	FASTENER	11				
2	91850310405	CLAMP (BLACK)	4				
3	31653890100	HARNESS	1				
4	90186208025	BOLT, FLANGE	1		M8X25		
5	90280200800	NUT, FLANGE	1		M8		
6	31653890200	HARNESS	1				

www.AutoEPC.com

TM-ZR300 31014010170A FRAME/SL, MANUAL, HOOK-IN  
 PN1013075-00 ELEC.ASSY (SELF WINCH, F-RADIO CONTROL)



TM-ZR300 31014010170A FRAME/SL, MANUAL, HOOK-IN  
PN1013075-00 ELEC.ASSY (SELF WINCH, F-RADIO CONTROL)

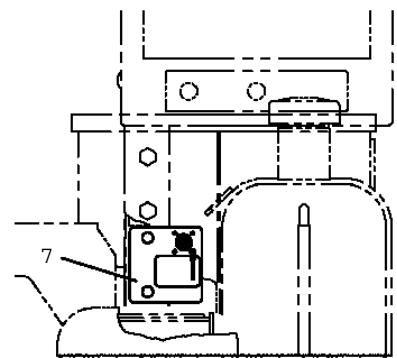
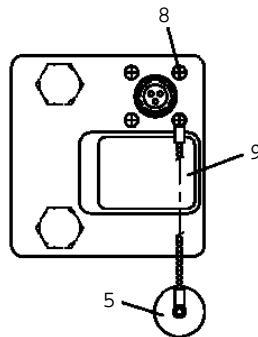
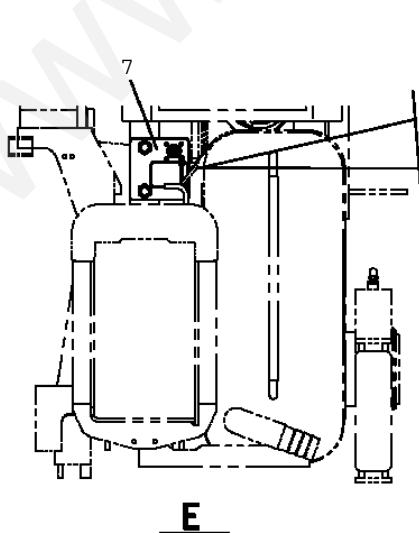
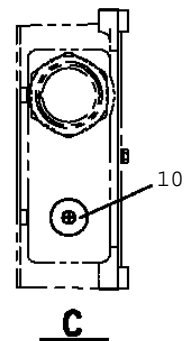
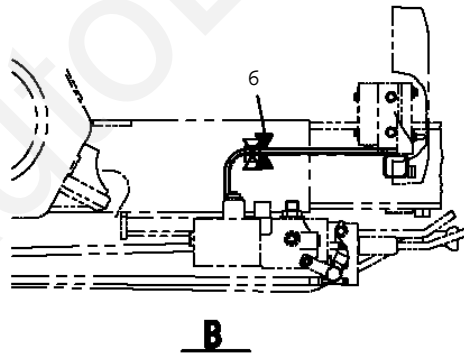
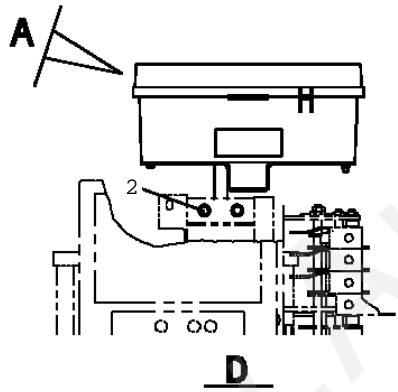
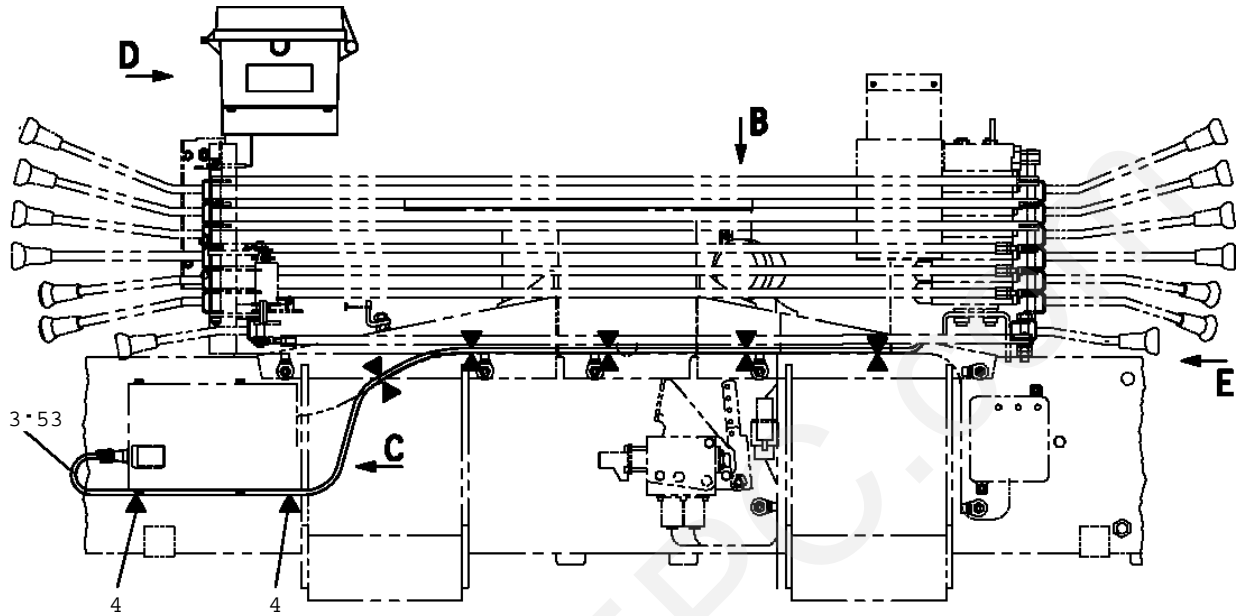




**TM-ZR300 31014010170A FRAME/SL,MANUAL,HOOK-IN**

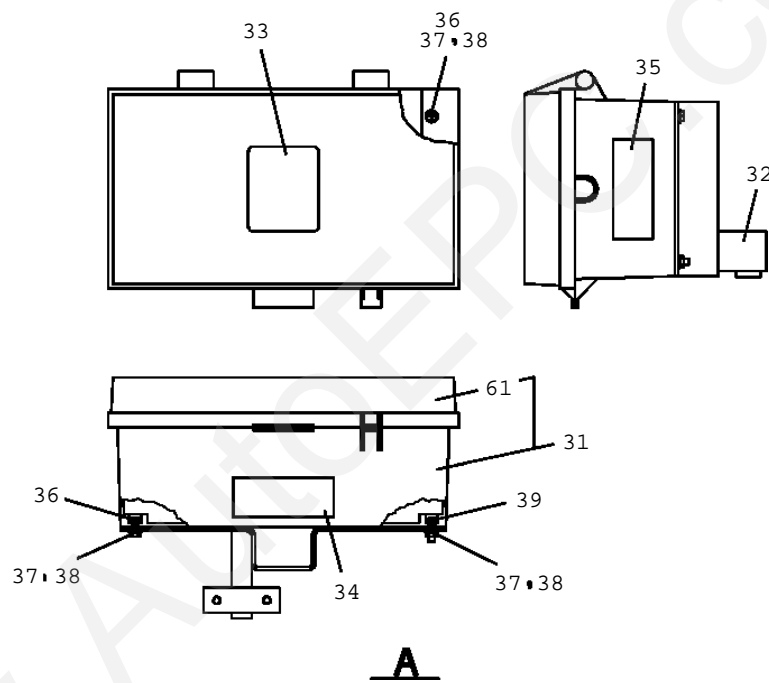
Pos No.	Parts No	Parts Name	Qty	Unit	Technical Data	Serial No (Start)	Serial
1	31653271103	HARNESS	1				
2	91810130240	FASTENER	25				
3	31479062010	CONNECTOR	2				
4	91850310405	CLAMP (BLACK)	4				
5	31479062020	HARNESS	1				
6	82100002596	RELAY	1				
7	90280200600	NUT, FLANGE	1		M6		
8	80192486012	SCREW, MACHINE	1		M6X12		
31	82100000745	FUSE	1		10A, 6.5X30		
32	82100002832	HOLDER, FUSE	1				

www.AutoEPC.com



ZR290, ZR260  
 ZR300Jの場合

TM-ZR300 31014010170A FRAME/SL, MANUAL, HOOK-IN  
PN1013753-00 ELEC.ASSY

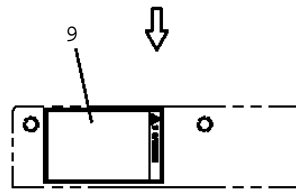
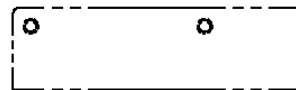
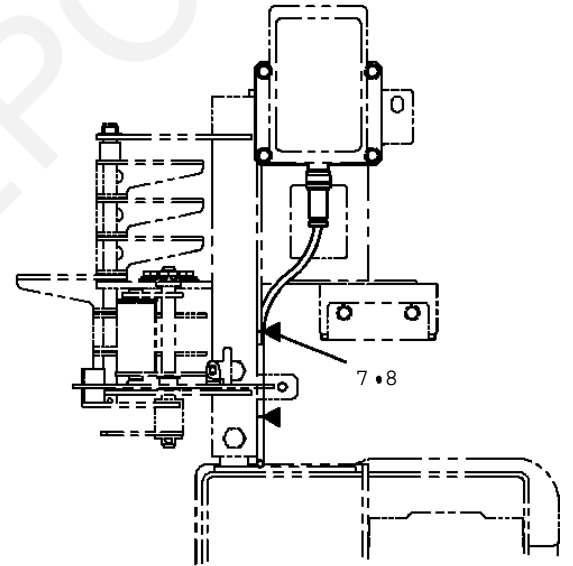
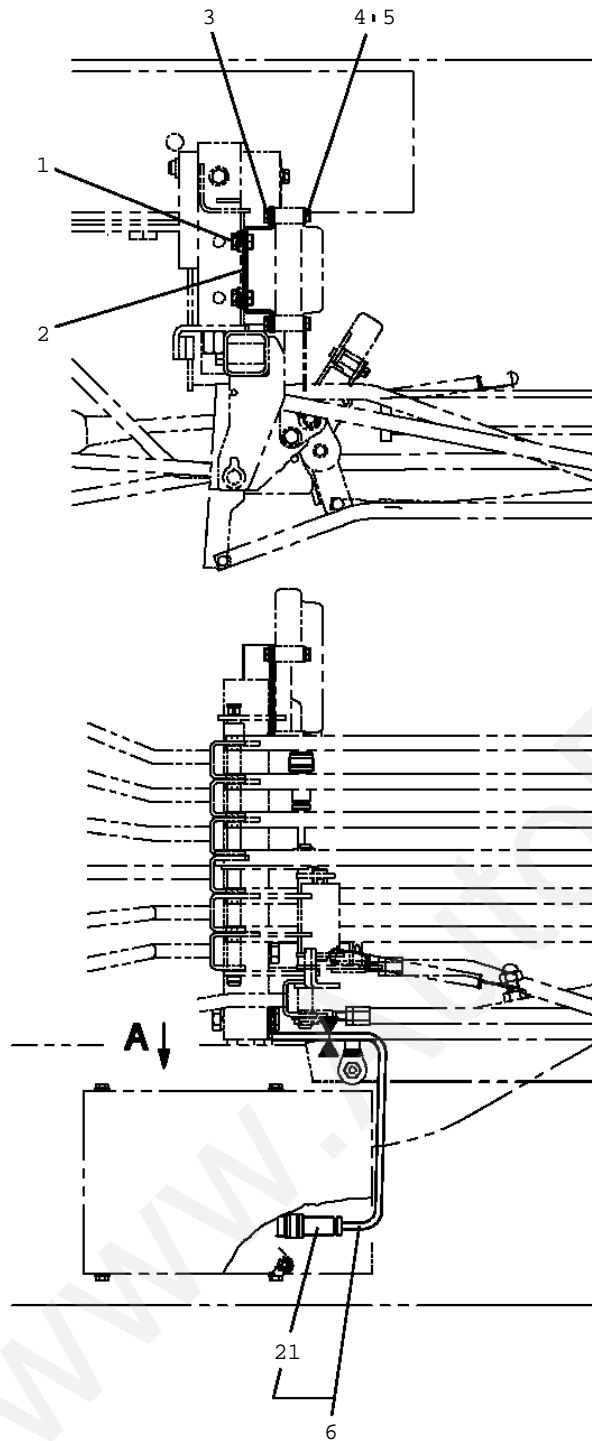


**TM-ZR300 31014010170A FRAME/SL, MANUAL, HOOK-IN**

Pos No.	Parts No	Parts Name	Qty	Unit	Technical Data	Serial No (Start)	Ser
2	90186208010	BOLT, FLANGE	2		M8X10		
3	31651762300	HARNES	1				
4	82401600510	CLAMP	2		10		
5	82100002490	CAP	1				
6	91810130240	FASTENER	6				
7	31653450100	SUPPORT	1				
8	80192483010	SCREW, MACHINE	4		M3X10		
9	31651760800	PLATE, CAUTION	1				
10	82100001209	CAP (RECEPTACLE)	1				
31	36800174100	BOX	1				
32	31653312100	SUPPORT	1				
33	31642171600	PLATE, NAME	1				
34	36800174300	PLATE, CAUTION	1				
35	31652170320	PLATE, NAME	1				
36	80182306016	SCREW, MACHINE	3		M6X16		
37	90303100601	WASHER, PLAIN	4		6		
38	90280200600	NUT, FLANGE	4		M6		
39	80182306020	SCREW, MACHINE	1		M6X20		
53	82100002478	CAP	1				
61	36800175090	COVER (UPPER)	1				

www.AutoEPC.com

TM-ZR300 31014010170A FRAME/SL, MANUAL, HOOK-IN  
 PN1013754-01 ELEC.ASSY (ANTENNA)



**A**

9

**⚠ 危険 / 高圧電圧注意**

- 制御ユニット等の電線等は、高圧電圧に接しないようご注意ください。
- 部品が脱落し、昇降機が落下し、クレーンが異常動作をする恐れがあります。
- 制御ユニットは日常点検時に点検を行い、異常がある場合は直ちにクレーンメーカーに連絡し、修理を行ってください。

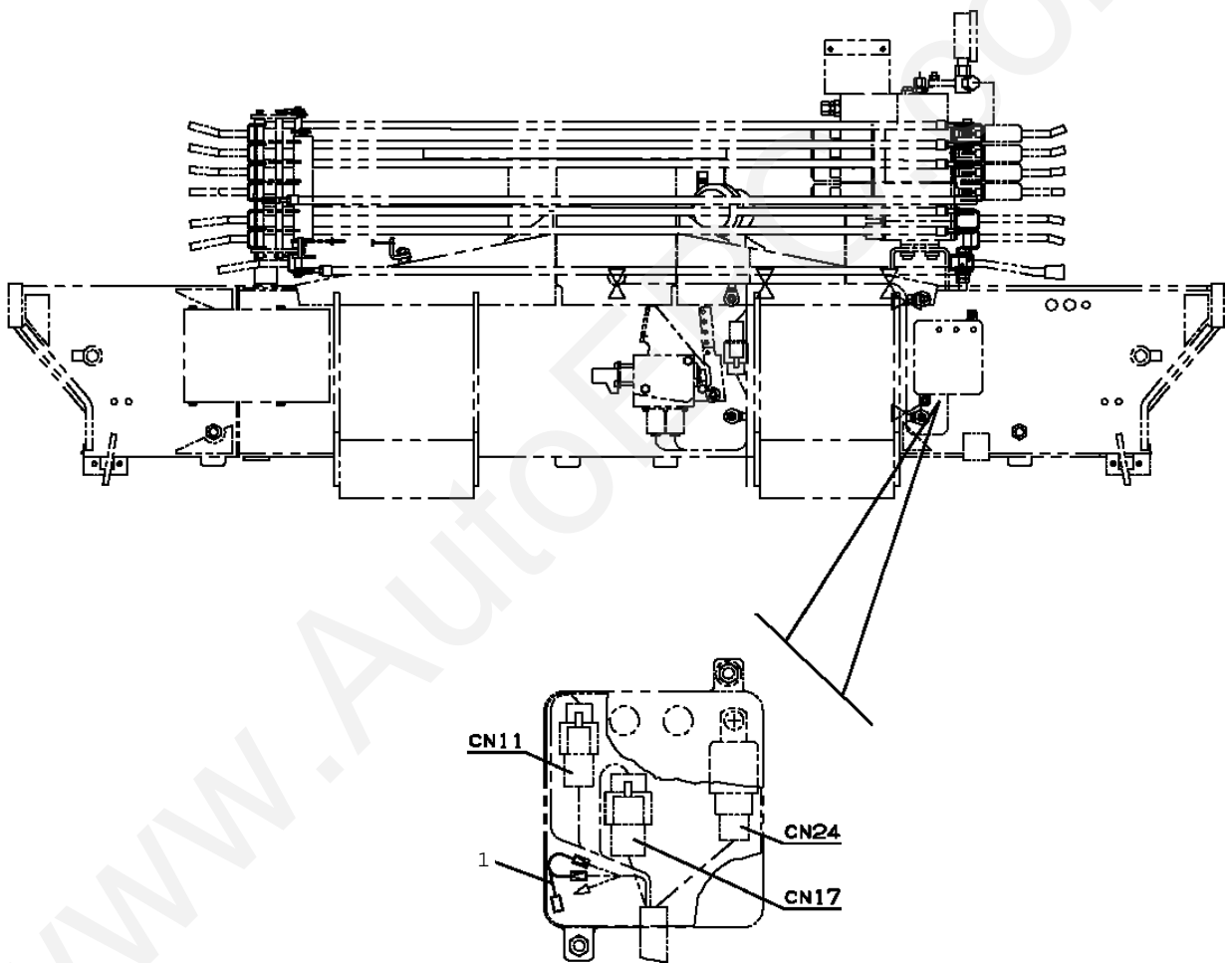
制御ユニット

**TM-ZR300 31014010170A FRAME/SL,MANUAL,HOOK-IN**

Pos No.	Parts No	Parts Name	Qty	Unit	Technical Data	Serial No (Start)	Serial
1	90186208014	BOLT, FLANGE	2		M8X14		
2	31653230100	SUPPORT	1				
3	90280200600	NUT, FLANGE	4		M6		
4	90101206040	BOLT	4		M6X40		
5	90303070601	WASHER, PLAIN	4		6		
6	31653230200	CABLE ASSY	1		L=800		
7	91850310405	CLAMP (BLACK)	1				
8	91810130240	FASTENER	3				
21	82100002385	CONNECTOR	2				

www.AutoEPC.com

TM-ZR300 31014010170A FRAME/SL, MANUAL, HOOK-IN  
PN1013757-01 ELEC.ASSY (HARNESS FOR STANDBY POWER)



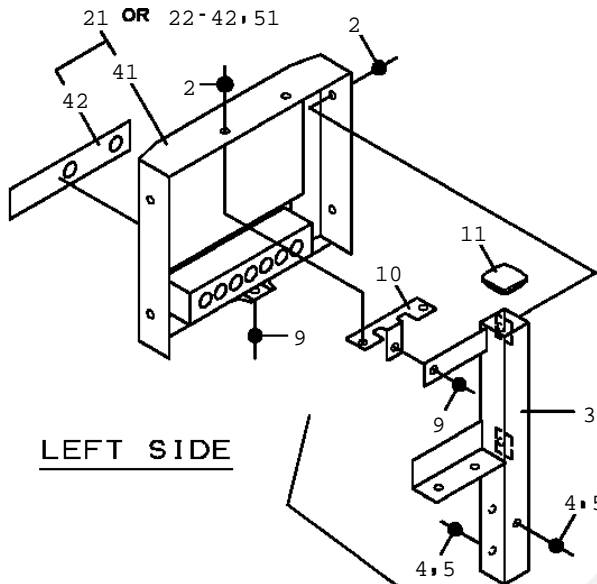
**TM-ZR300 31014010170A FRAME/SL, MANUAL, HOOK-IN**

Pos No.	Parts No	Parts Name	Qty	Unit	Technical Data	Serial No (Start)	Serial No
1	31361312100	HARNESS	1				

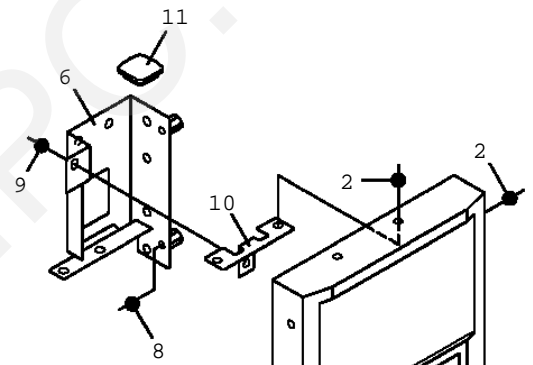
www.AutoEPC.com



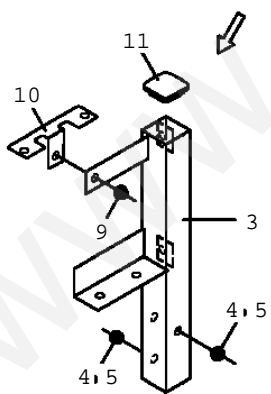
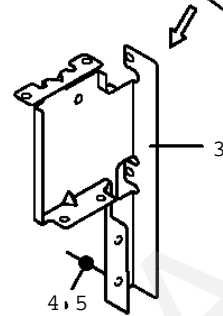
TM-ZR300 31014010170A FRAME/SL, MANUAL, HOOK-IN  
 PN1013976-02 ELEC.ASSY (SWITCH COVER)



LEFT SIDE



RIGHT SIDE



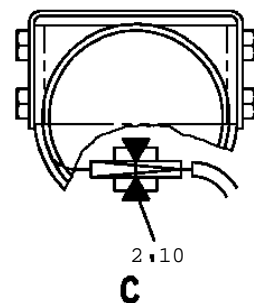
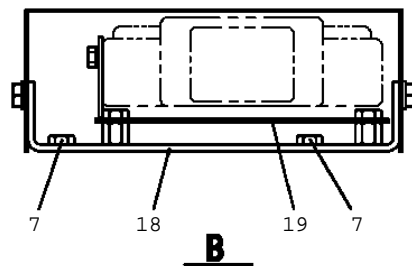
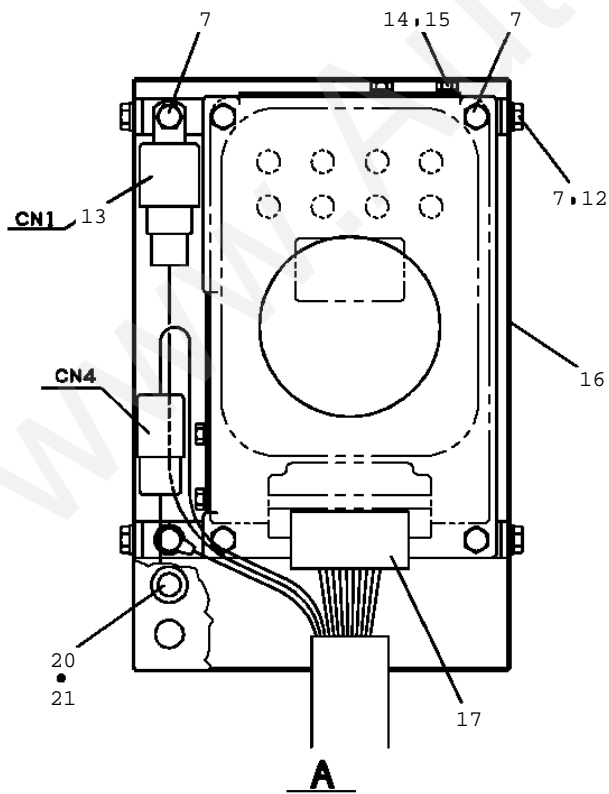
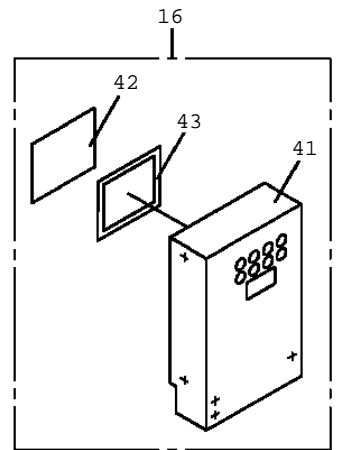
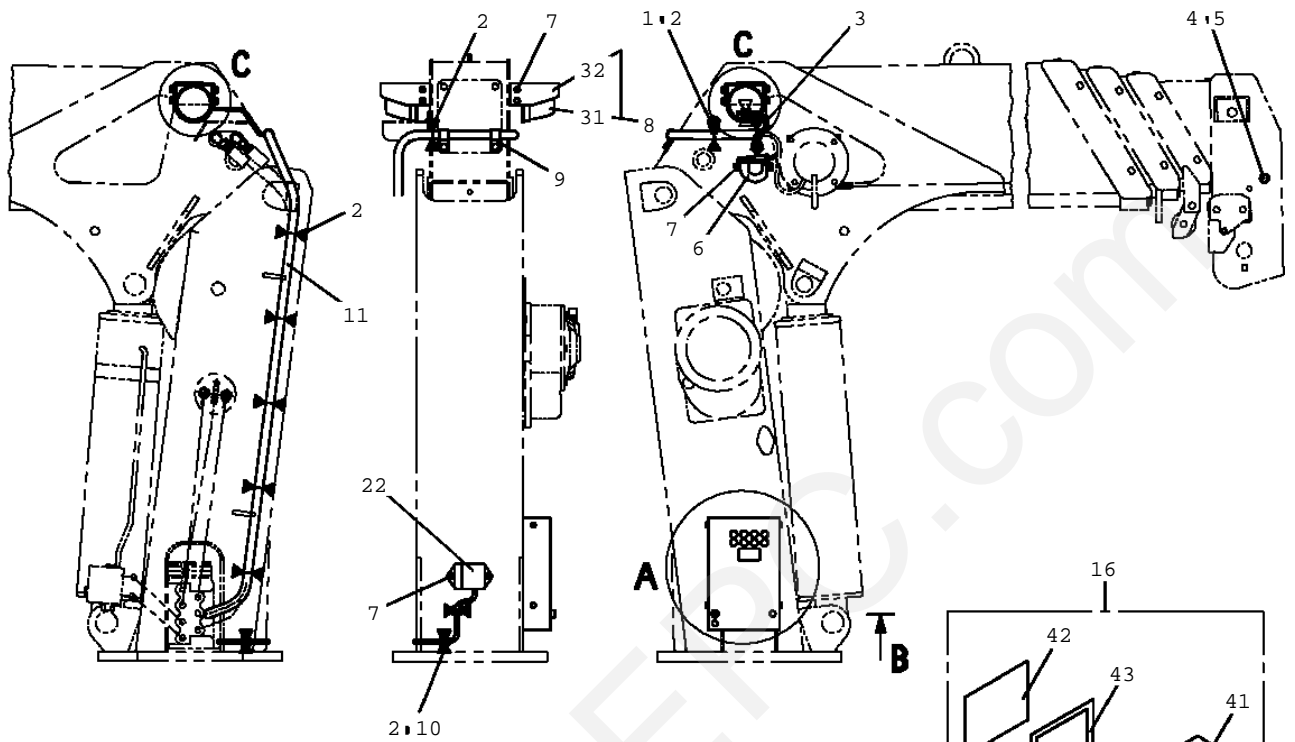
31  
 OR  
 32-51, 52

**TM-ZR300 31014010170A FRAME/SL,MANUAL,HOOK-IN**

Pos No.	Parts No	Parts Name	Qty	Unit	Technical Data	Serial No (Start)	Serial
2	80183308014	SCREW,MACHINE	8		M8X14		
3	31270211700	SUPPORT	1				
4	90302041001	WASHER,SPRING	2		10		
5	90171110016	BOLT	2		M10X16		
6	31270211200	SUPPORT	1				
8	90186210014	BOLT,FLANGE	2		M10X14		
9	90186208014	BOLT,FLANGE	3		M8X14		
10	31270211300	SUPPORT	1				
11	31270212000	CAP	1				
21	31270390100	COVER	1				
22	31270391200	COVER (IP)	1				
31	31270390500	COVER	1				
32	31270391600	COVER (IP)	1				
41	31270210200	COVER	2				
42	31270390110	PLATE,NAME	2				
51	31270211400	COVER (IP)	2				
52	31270390510	PLATE,NAME	2				

www.AutoEPC.com

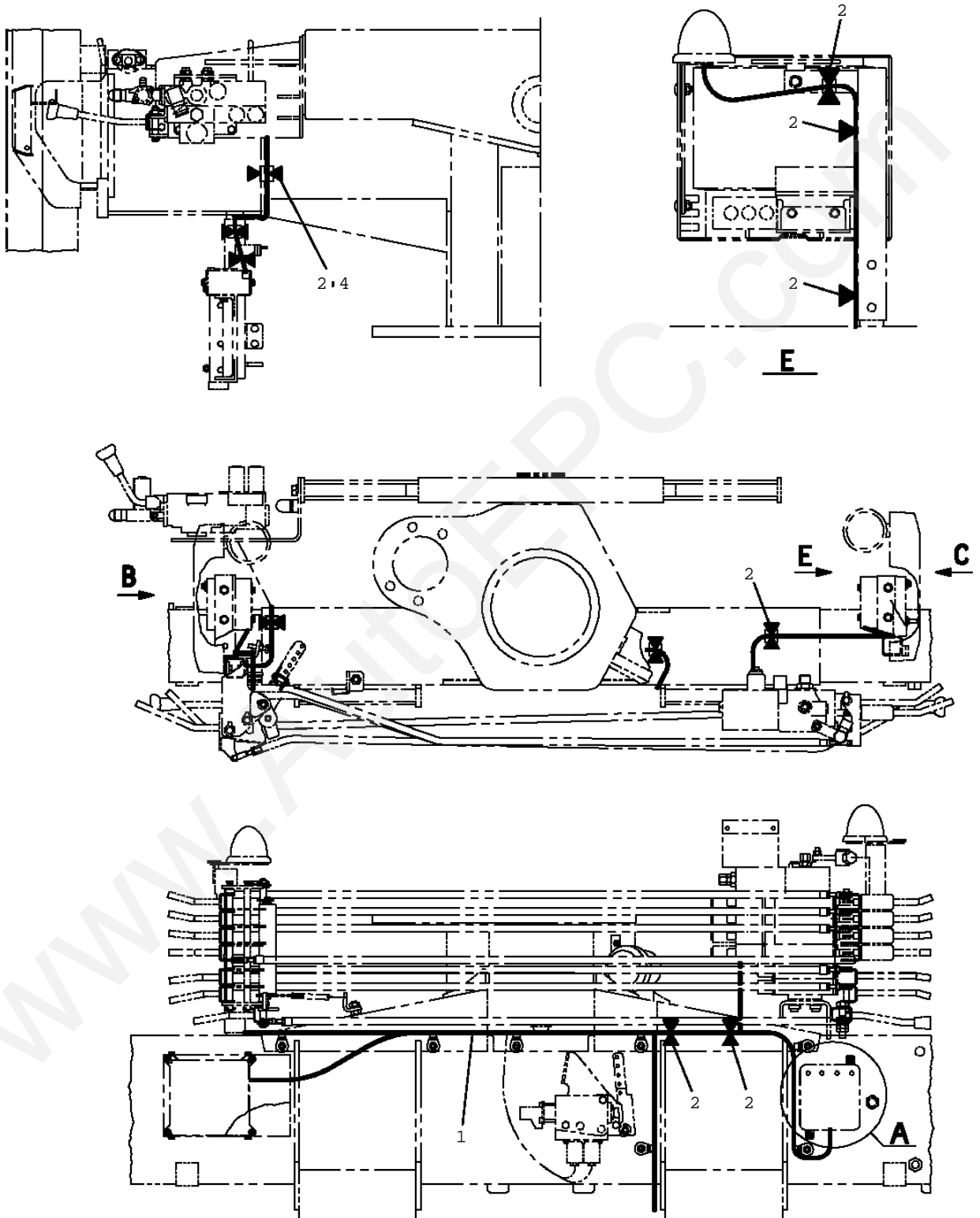
TM-ZR300 31014010170A FRAME/SL, MANUAL, HOOK-IN  
 PN1013979-01 ELEC.ASSY (UPPER)



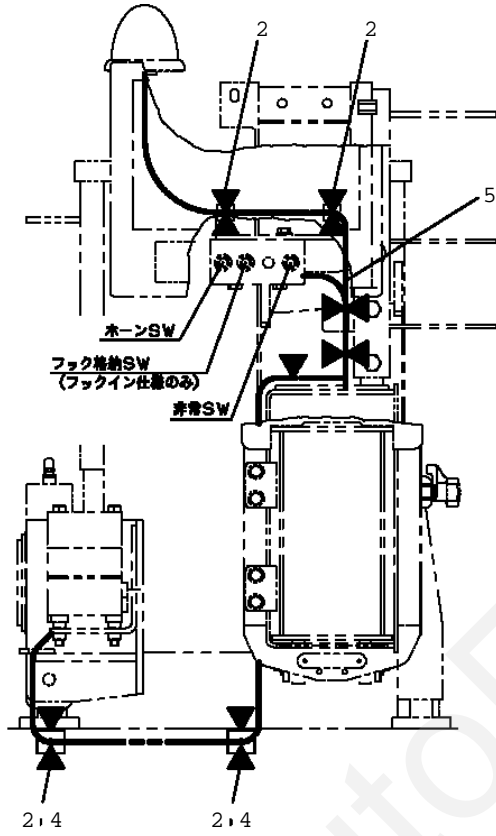
**TM-ZR300 31014010170A FRAME/SL,MANUAL,HOOK-IN**

Pos No.	Parts No	Parts Name	Qty	Unit	Technical Data	Serial No
1	91850100802	CLAMP (STUD BOLT MOUNT)	2			
2	91810130240	FASTENER	18			
3	31360741200	HARNESS	1			
4	31360191200	SUPPORT	1			
5	90203201200	NUT	1		M12	
6	36140470000	DETECTOR,BOOM ANGLE	1			
7	90186206010	BOLT,FLANGE	24		M6X10	
8	31360741300	LAMP ASSY	2			
9	82100002015	CLAMP	2		WRC20	
10	91850310305	CLAMP	5			
11	31360191010	COVER	1			
12	90303070601	WASHER,PLAIN	4		6	
13	82100002596	RELAY	1			
14	90101205010	BOLT	4		M5X10	
15	90302040501	WASHER,SPRING	4		5	
16	31361112100	COVER ASSY	1			
17	31361471100	HARNESS	1			
18	31360741600	SUPPORT	2			
19	31360741700	SUPPORT	1			
20	31653303200	SWITCH ASSY (NIHON AUTOMATIC)	1			
21	82197600101	CAP (BLACK)	1			
22	31652030200	BUZZER ASSY	1			
31	82199444326	LAMP (YELLOW) <24V 12W)	2			
32	31360741310	SUPPORT	2			
41	31361112110	COVER	1			
42	31361112120	PLATE	1			
43	31361112130	SEAL	1			
56	82166136411	BULB,LAMP	2		24V/12W	

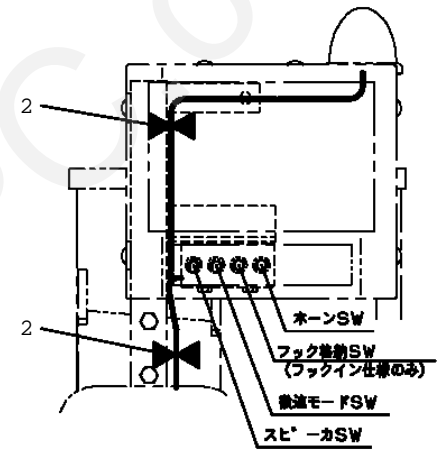
TM-ZR300 31014010170A FRAME/SL, MANUAL, HOOK-IN  
PN1014016-00 ELEC.ASSY



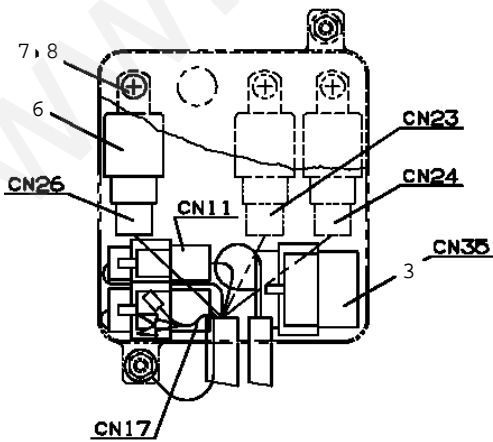
TM-ZR300 31014010170A FRAME/SL, MANUAL, HOOK-IN  
 PN1014016-00 ELEC.ASSY



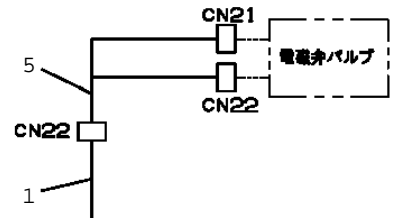
**B**



**C**



**A**

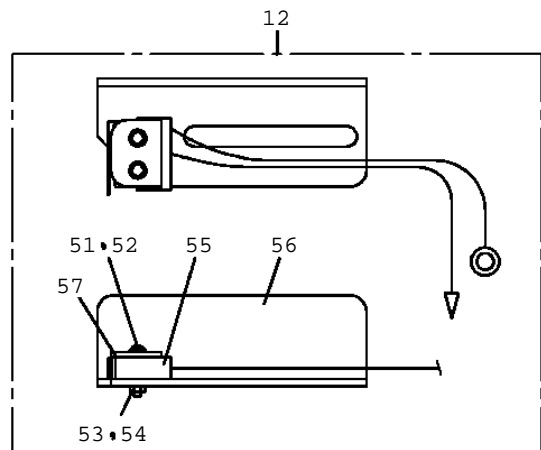
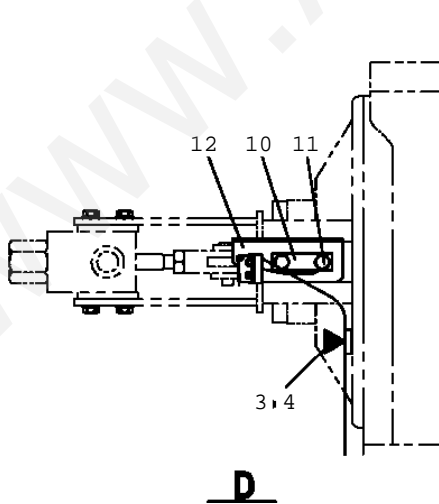
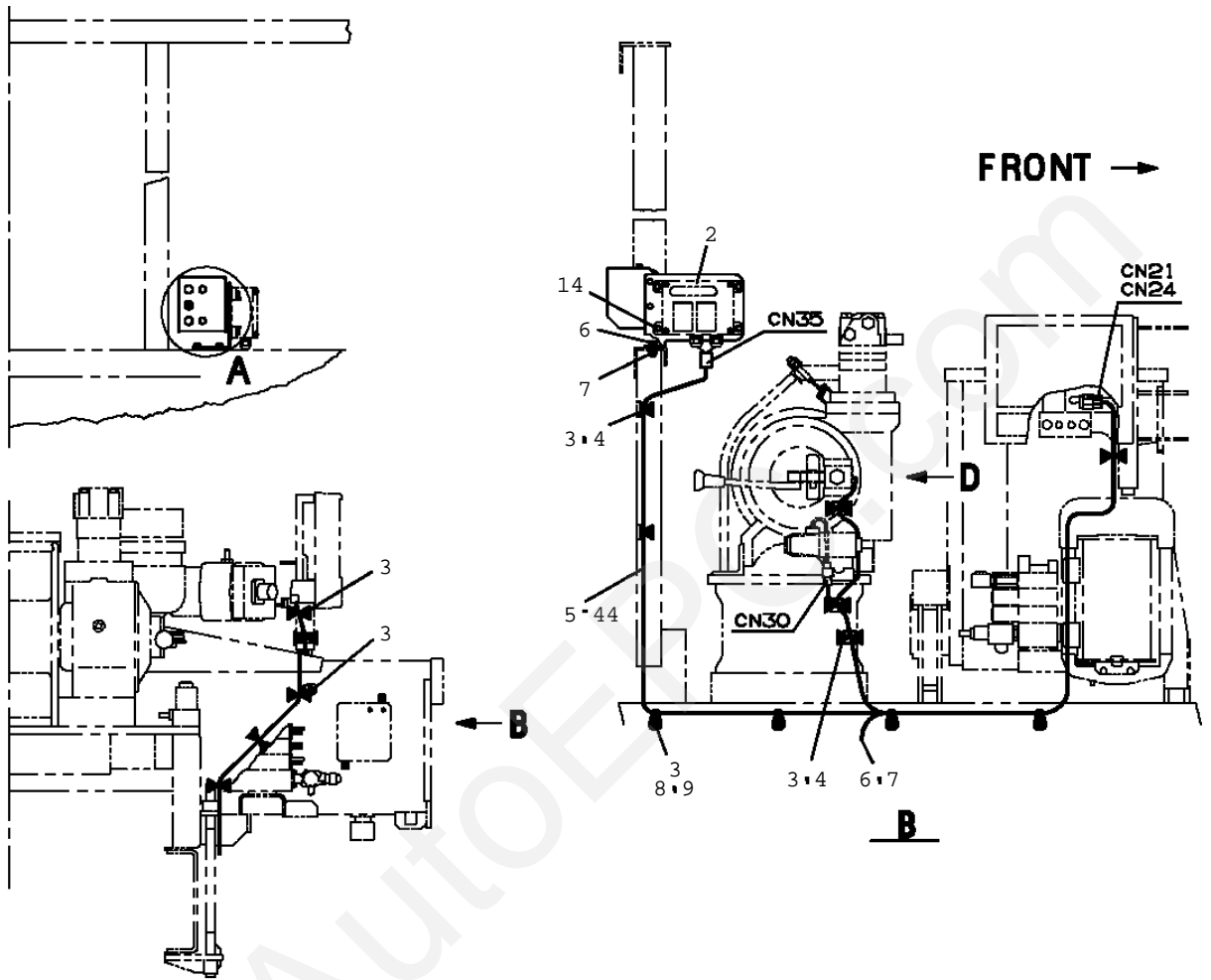


**TM-ZR300 31014010170A FRAME/SL,MANUAL,HOOK-IN**

Pos No.	Parts No	Parts Name	Qty	Unit	Technical Data	Serial No (Start)	Serial
1	31653271104	HARNESS	1				
2	91810130240	FASTENER	25				
3	31479062010	CONNECTOR	2				
4	91850310405	CLAMP (BLACK)	4				
5	31479062020	HARNESS	1				
6	82100002596	RELAY	1				
7	90280200600	NUT, FLANGE	1		M6		
8	80192486012	SCREW, MACHINE	1		M6X12		

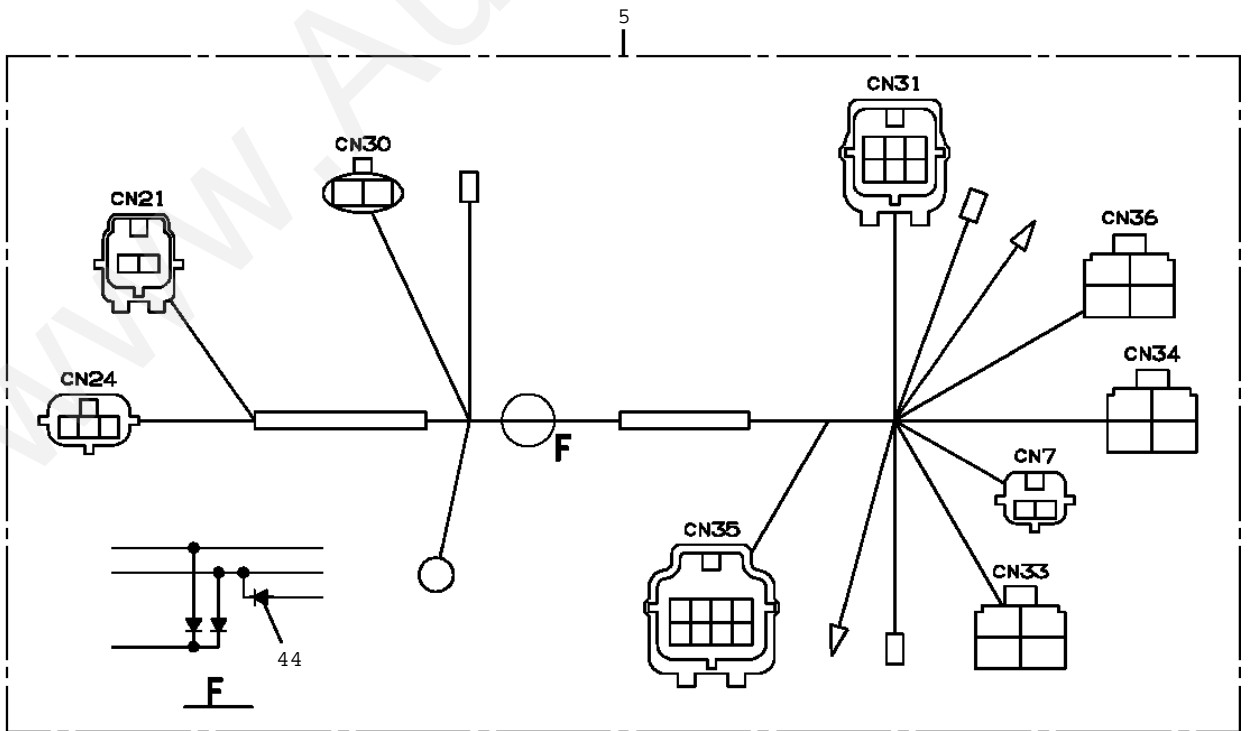
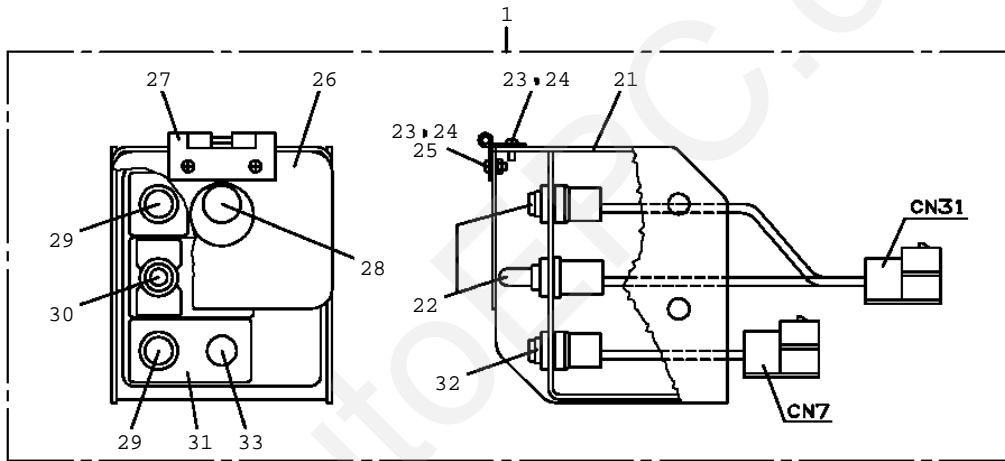
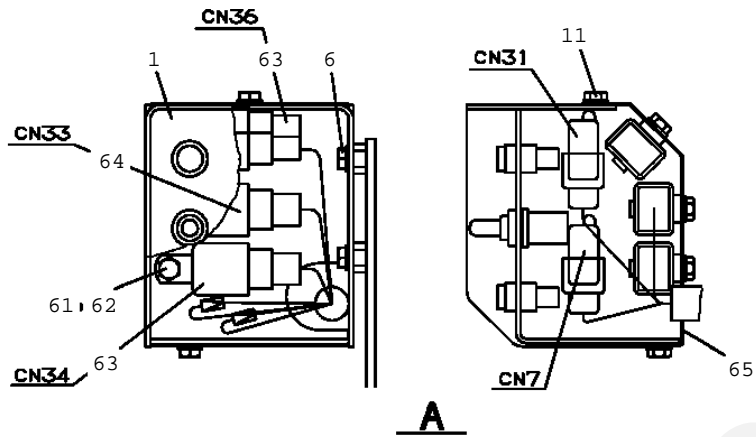
www.AutoEPC.com

TM-ZR300 31014010170A FRAME/SL, MANUAL, HOOK-IN  
 PN1014222-03 ELEC.ASSY (KYOKUTO RADICON)





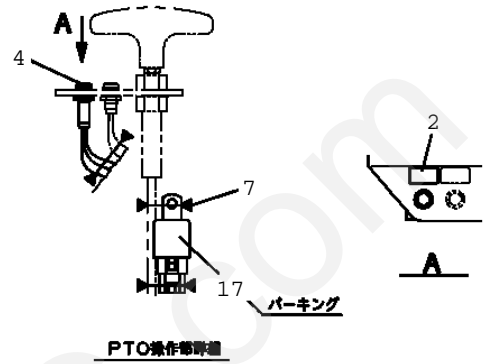
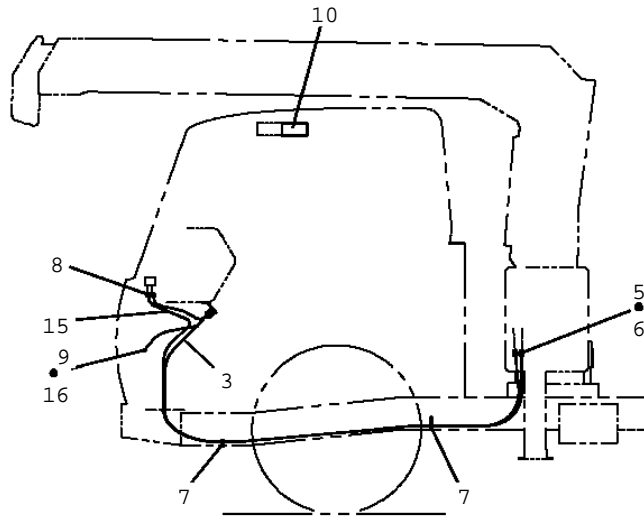
TM-ZR300 31014010170A FRAME/SL, MANUAL, HOOK-IN  
 PN1014222-03 ELEC.ASSY (KYOKUTO RADICON)



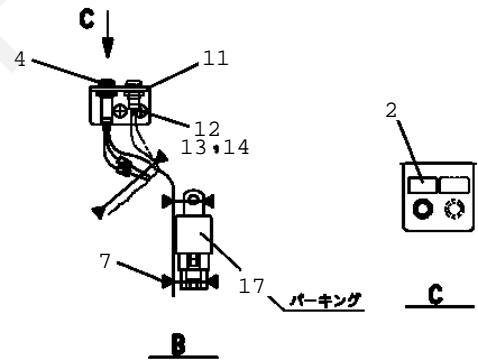
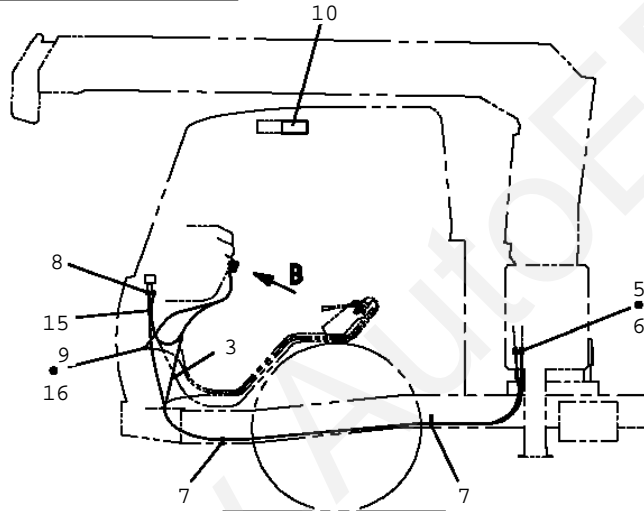
**TM-ZR300 31014010170A FRAME/SL,MANUAL,HOOK-IN**

Pos No.	Parts No	Parts Name	Qty	Unit	Technical Data	Serial No
1	31653861000	SWITCH ASSY	1			
2	31655850100	SUPPORT	1			
3	91810130240	FASTENER	23			
4	91850310405	CLAMP (BLACK)	13			
5	31653860101	HARNESS	1			
6	90186208025	BOLT, FLANGE	5		M8X25	
7	90280200800	NUT, FLANGE	3		M8	
8	91850100802	CLAMP (STUD BOLT MOUNT)	4			
9	90101206025	BOLT	4		M6X25	
10	37000576020	PLATE	1			
11	90186206016	BOLT, FLANGE	5		M6X16	
12	31653740500	SWITCH ASSY	1			
13	31653862000	COVER ASSY	1			
14	90186206020	BOLT, FLANGE	4		M6X20	
21	31653741100	PANEL	1			
22	31653741200	SWITCH ASSY (PLATING:NACC)	1			
23	80171303008	SCREW, MACHINE	4		M3X8	
24	90302040301	WASHER, SPRING	4		3	
25	90201200300	NUT	2		M3	
26	31653741300	COVER	1			
27	82464104601	HINGE	1			
28	42650551130	LAMP ASSY (GREEN)	1			
29	82197600103	CAP (RED)	2			
30	82197518114	CAP (MATSUSHITA/BLACK)	1			
	82197518119	CAP (PLUS ONE MFG./BLACK)	1			
31	31653861100	PLATE, NAME	1			
32	31652112300	SWITCH ASSY (NIHON AUTOMATIC)	1			
33	42433333300	LAMP ASSY (RED)<24V)	1			
44	82100000638	DIODE	3			
51	80161302014	SCREW, MACHINE	2		M2X14	
52	90303070201	WASHER, PLAIN	2		2	
53	90302040201	WASHER, SPRING (2)	2			
54	90201200200	NUT	2		M2	
55	31652231120	SWITCH	1			
56	31653740510	SUPPORT	1			
57	31653740520	SUPPORT	1			
61	90186206014	BOLT, FLANGE	3		M6X14	
62	90201200600	NUT	3		M6	
63	82100002596	RELAY	2			
64	82100002597	RELAY	1			
65	31653742100	COVER	1			

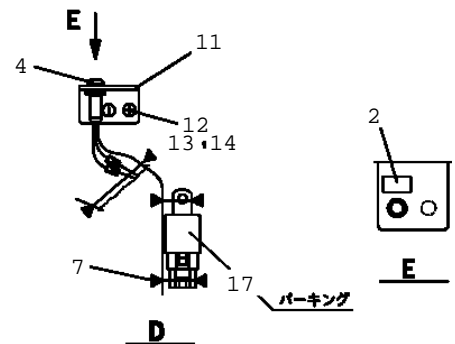
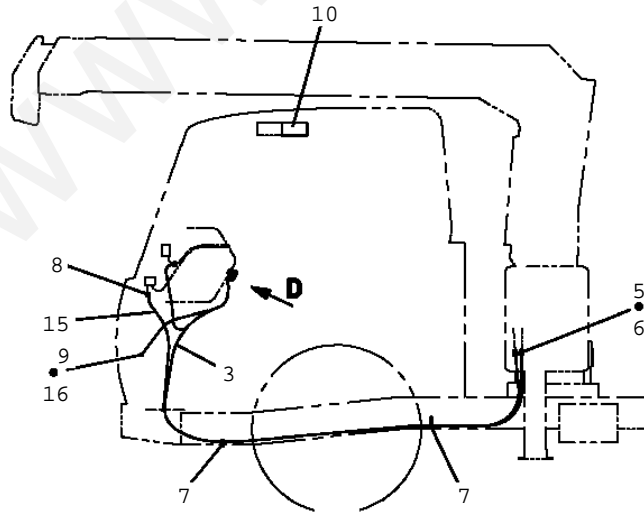
**PTOレバーがハンドル横にある場合**

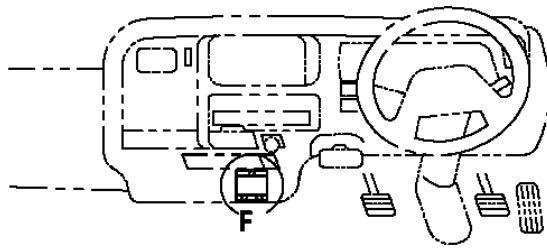


**PTOレバーが駆動機にある場合**

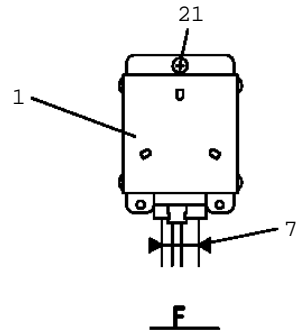


**純正PTO付巻の場合**

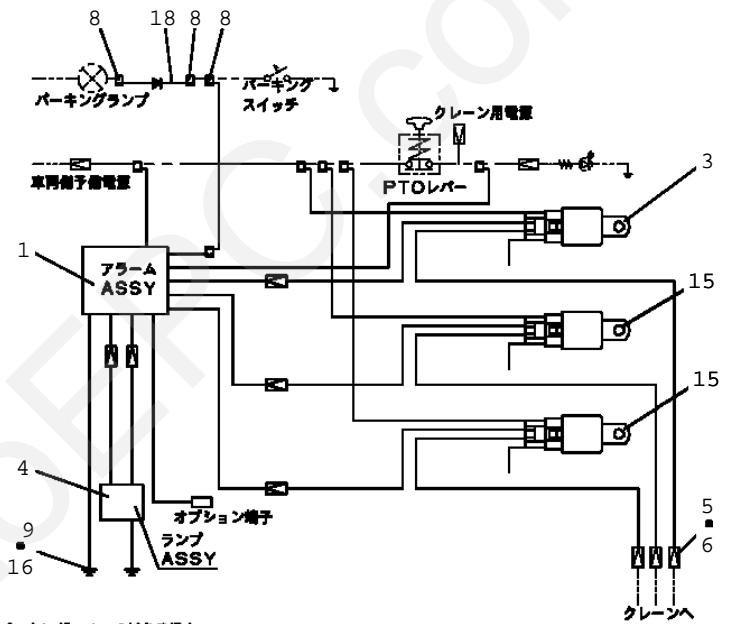
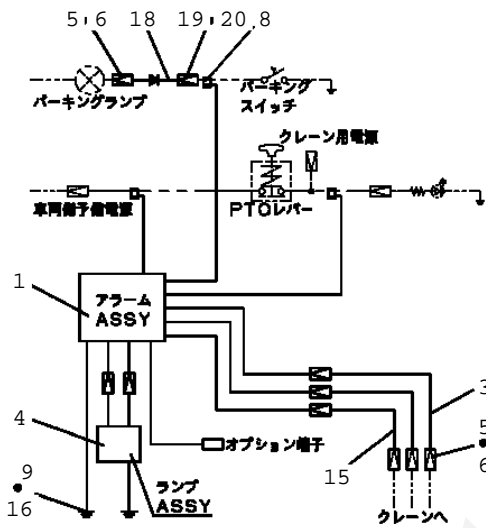




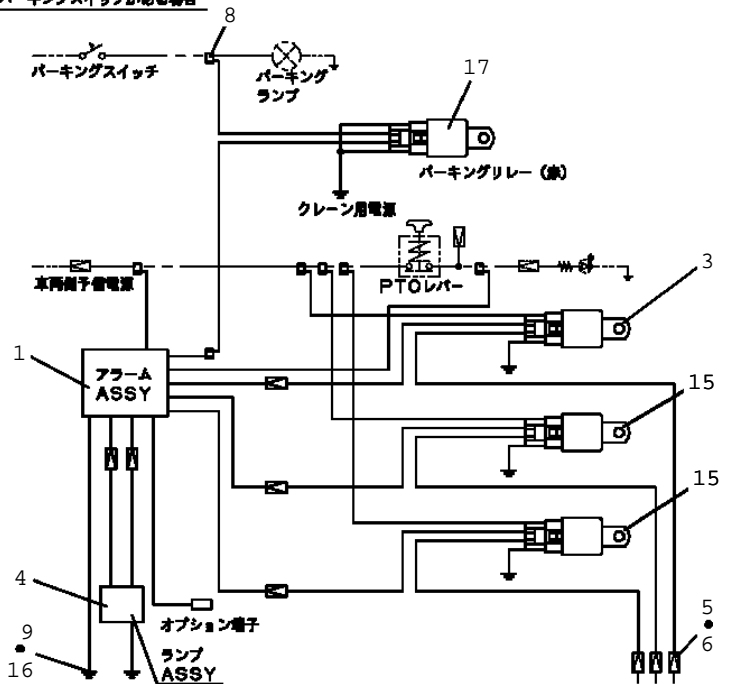
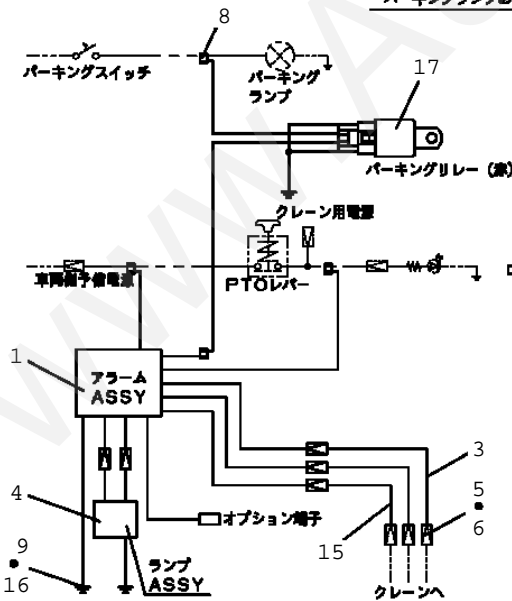
アラームAASSY取付



F



パーキングランプの下側にパーキングスイッチがある場合



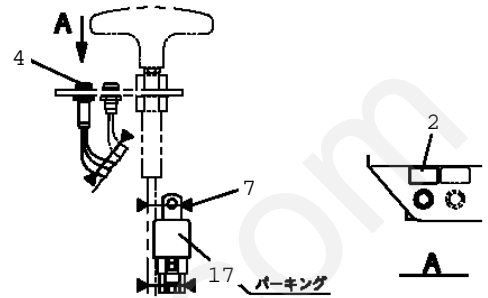
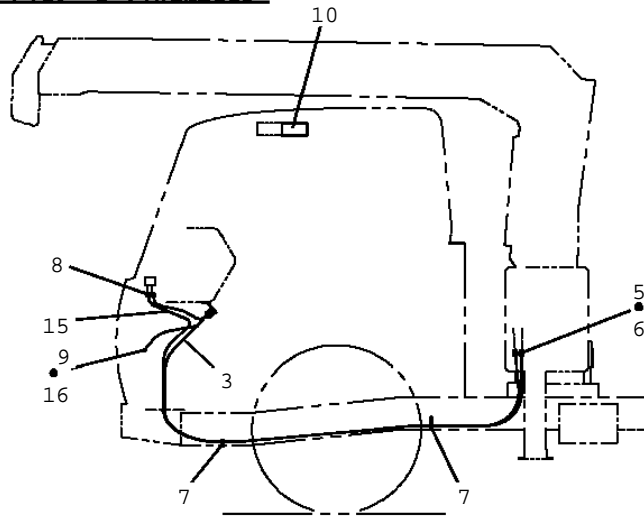
パーキングランプの上側にパーキングスイッチがある場合

**TM-ZR300 31014010170A FRAME/SL, MANUAL, HOOK-IN**

Pos No.	Parts No	Parts Name	Qty	Unit	Technical Data	Serial No (Start)	Serial
1	31476362102	ALARM ASSY	1				KB2389
	31476362103	ALARM ASSY	1			KB2390	
2	31475352100	PLATE, NAME	1				
3	31476362500	RELAY ASSY	1				
4	31380174000	LAMP ASSY	1				
5	82100000191	TERMINAL	3				
6	82100000183	INSULATOR	3				
7	91810130240	FASTENER	10				
8	82115001002	CONNECTOR	9				
9	82100001400	TERMINAL	6				
10	31475982100	PLATE, CAUTION	1				ES8335
	31476362700	PLATE, CAUTION	1			ES8336	
11	31380292600	SUPPORT	1				
12	80172305020	SCREW, MACHINE	2		M5X20		
13	90302040501	WASHER, SPRING	2		5		
14	90303070501	WASHER, PLAIN	2		5		
15	31476362600	RELAY ASSY	2				
16	82100001220	INSULATOR	6				
17	31476362300	RELAY ASSY	1				
18	31475982400	DIODE ASSY	1				
21	90928040101	SCREW, TAPPING	3		M4X10		
23	82115001005	CONNECTOR	9				

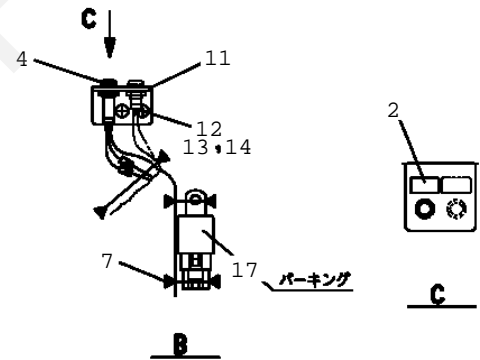
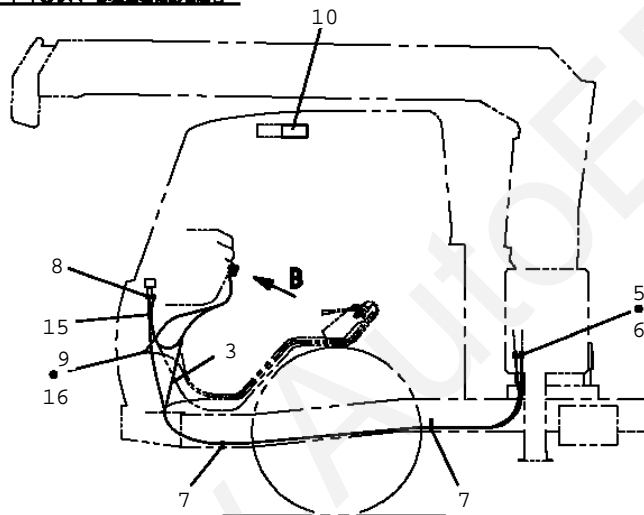
www.AutoEPC.com

PTOレバーがハンドル位置にある場合

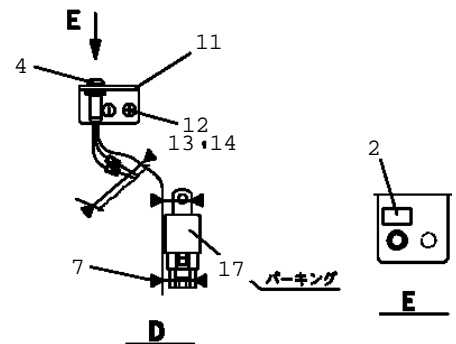
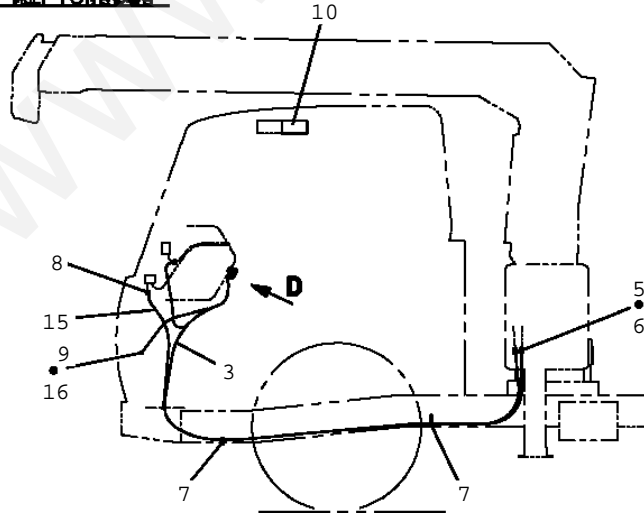


PTO操作状態

PTOレバーが車体前側にある場合



PTOレバーの場合

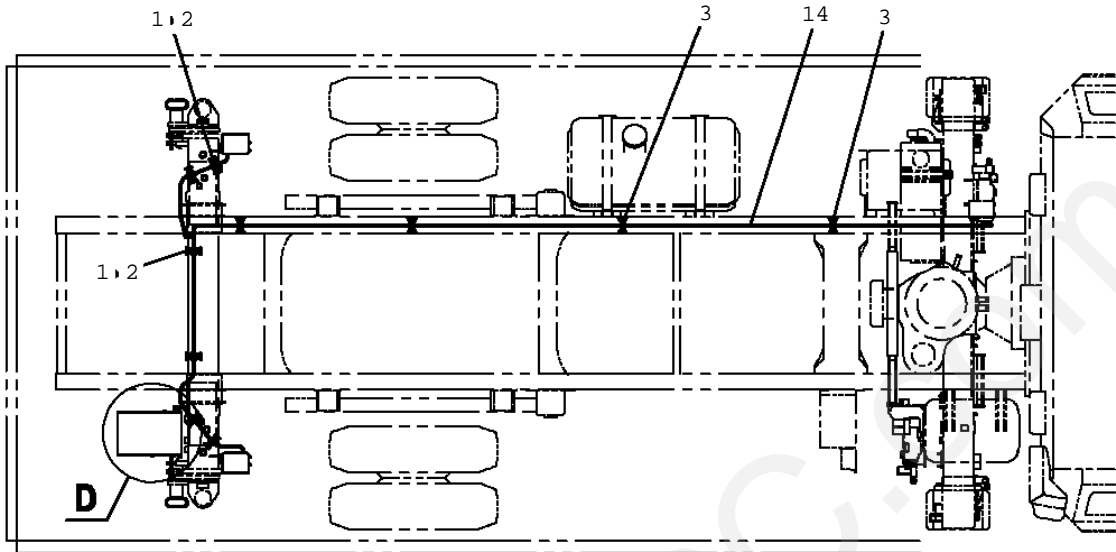


**TM-ZR300 31014010170A FRAME/SL,MANUAL,HOOK-IN**

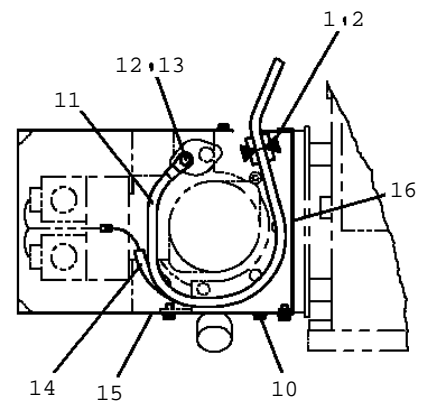
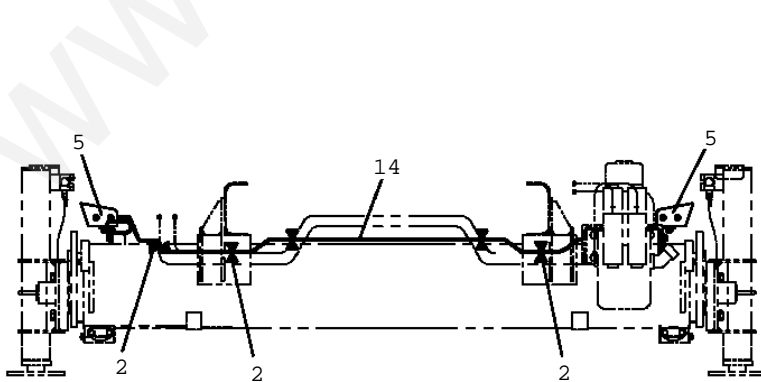
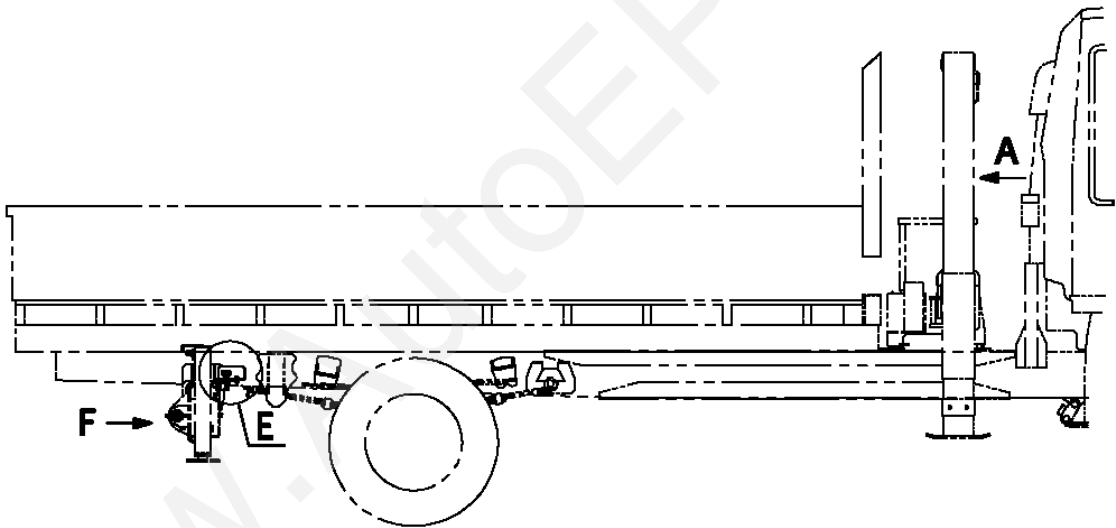
Pos No.	Parts No	Parts Name	Qty	Unit	Technical Data	Serial No (Start)	Serial
1	31476362102	ALARM ASSY	1				KB2389
	31476362103	ALARM ASSY	1			KB2390	
2	31475352100	PLATE,NAME	1				
3	31476362500	RELAY ASSY	1				
4	31380174000	LAMP ASSY	1				
5	82100000191	TERMINAL	1				
6	82100000183	INSULATOR	1				
7	91810130240	FASTENER	10				
8	82115001002	CONNECTOR	7				
9	82100001400	TERMINAL	6				
10	31475982100	PLATE,CAUTION	1				ES8335
	31476362700	PLATE,CAUTION	1			ES8336	
11	31380292600	SUPPORT	1				
12	80172305020	SCREW,MACHINE	2		M5X20		
13	90302040501	WASHER,SPRING	2		5		
14	90303070501	WASHER,PLAIN	2		5		
15	31477472100	HARNES (RED)	2		L=1000		
16	82100001220	INSULATOR	6				
17	31476362300	RELAY ASSY	1				
18	31475982400	DIODE ASSY	1				
21	90928040101	SCREW,TAPPING	3		M4X10		
23	82115001005	CONNECTOR	7				

www.AutoEPC.com

TM-ZR300 31014010170A FRAME/SL, MANUAL, HOOK-IN  
PN1014685-02 ELEC.ASSY



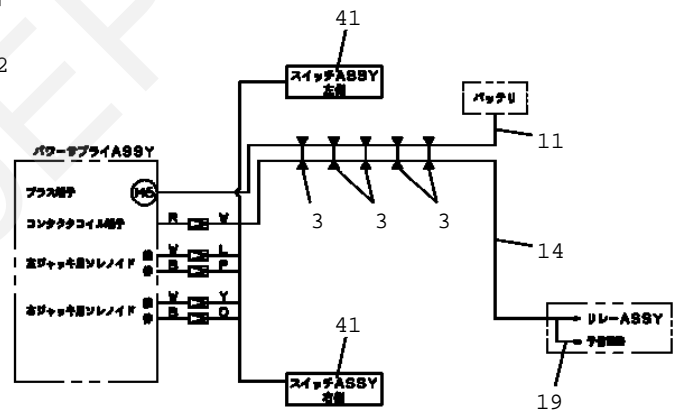
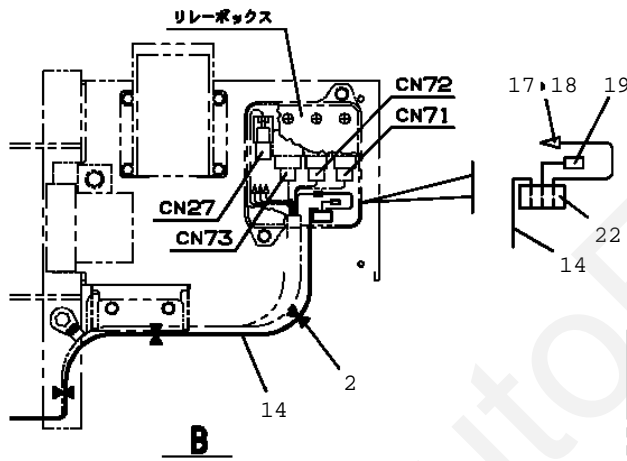
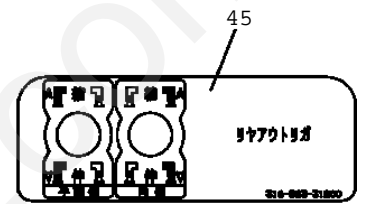
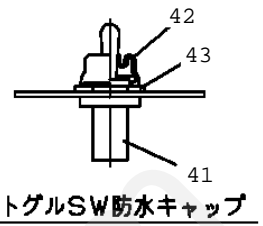
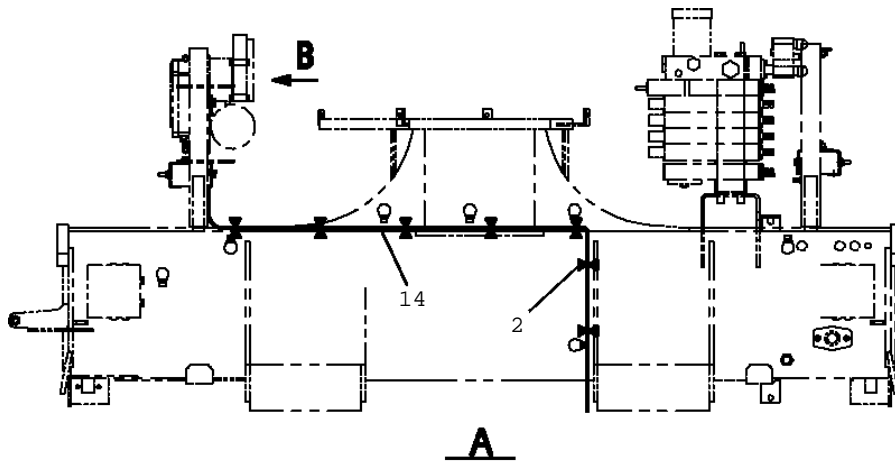
→ FRONT



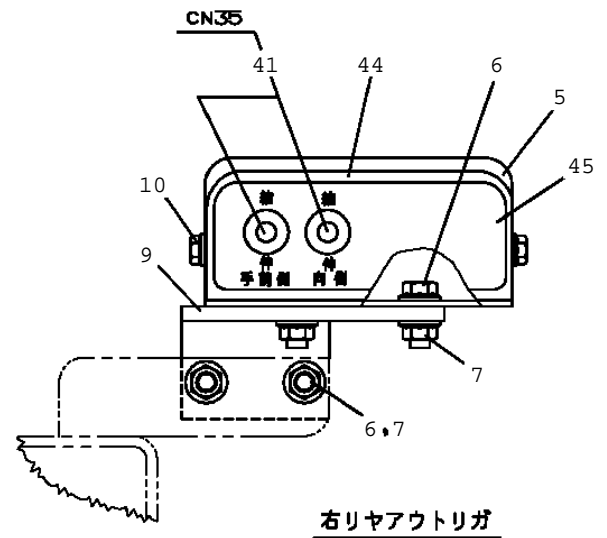
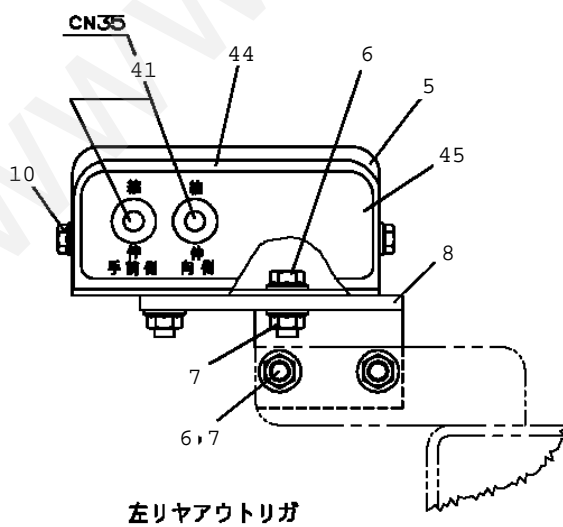
F

D





ハーネス経路



E

**TM-ZR300 31014010170A FRAME/SL,MANUAL,HOOK-IN**

Pos No.	Parts No	Parts Name	Qty	Unit	Technical Data	Serial
1	91850310405	CLAMP (BLACK)	7			
2	91810130240	FASTENER	20			
3	91810130250	FASTENER	5			
5	31657280200	COVER	2			
6	90186208020	BOLT,FLANGE	8		M8X20	
7	90280200800	NUT,FLANGE	8		M8	
8	31653470100	SUPPORT	1			
9	31653470200	SUPPORT	1			
10	90186206010	BOLT,FLANGE	12		M6X10	
11	31611614300	HARNESS	1		L=10000	
12	82100002503	TERMINAL	1			
13	82100001226	INSULATOR	1			
14	31656330200	HARNESS	1			
15	31611614500	COVER	1			
16	31611614400	COVER	1			
17	82100000192	TERMINAL	1			
18	82100000182	INSULATOR	1			
19	31478092200	HARNESS	1		L=100	
22	82115001005	CONNECTOR	1			
41	31653322200	SWITCH ASSY (WITH HARNESS,2-SW)	2			
42	82199514013	CAP	4			
43	82199504017	NUT	4		AT-401N	
44	31656331100	SUPPORT	2			
	31657282100	SUPPORT	2			
45	31656331200	PLATE,NAME	2			KB1701

www.AutoEPC.com

TM-ZR300 31014010170A FRAME/SL,MANUAL,HOOK-IN  
PN1080229-00 LAMP (MOUNT,POST/24V-60W)

1	ハイゼンASSY (ロー) ELEC. ASSY (LOWER)
2	ハイゼンASSY (アツパ) ELEC. ASSY (UPPER)

**TM-ZR300 31014010170A FRAME/SL,MANUAL,HOOK-IN**

Pos No.	Parts No	Parts Name	Qty	Unit	Technical Data	Se
1	(*****)	ELEC.ASSY (LAMP,LOWER/FRAME)	1			
2	(*****)	ELEC.ASSY (24V60W LAMP/MOUNT,POST)	1			

www.AutoEPC.com

TM-ZR300 31014010170A FRAME/SL, MANUAL, HOOK-IN  
PN1080230-01 LAMP (MOUNT, BOOM/24V-45W)

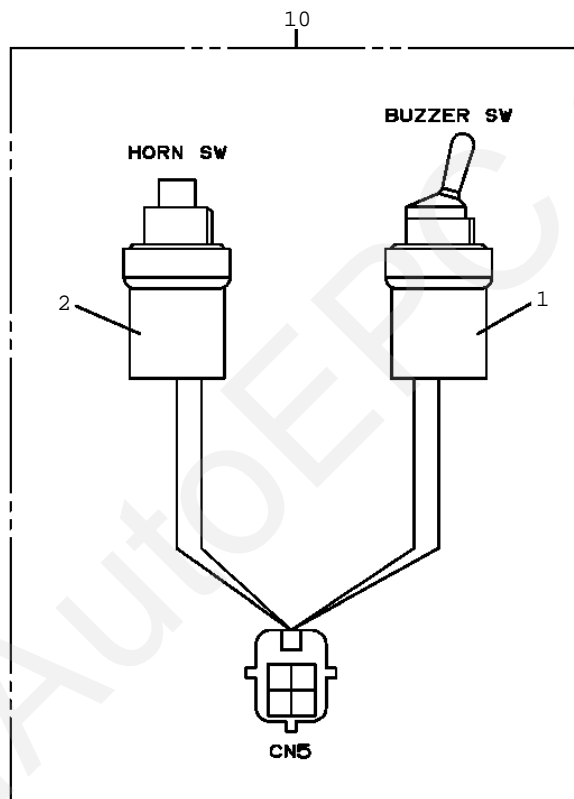
指示番号 KEY NO.	ランプ (フームトリツケ/24V-45W:フツクイン,ラジコン) LAMP (MOUNT, BOOM/24V-45W:HOOK-IN, RADIO CONTROL)
1	ハイセンASSY (ロー) ELEC. ASSY (LOWER)
2	ハイセンASSY (アツハ) ELEC. ASSY (UPPER)

**TM-ZR300 31014010170A FRAME/SL,MANUAL,HOOK-IN**

Pos No.	Parts No	Parts Name	Qty	Unit	Technical Data	Se
1	(***** )	ELEC.ASSY (LAMP,LOWER/FRAME)	1			
2	(***** )	ELEC.ASSY (24V45W LAMP/MOUNT,BOOM)	1			

www.AutoEPC.com

TM-ZR300 31014010170A FRAME/SL, MANUAL, HOOK-IN  
PN1140220-00 SWITCH ASSY (PLATING:NACC)



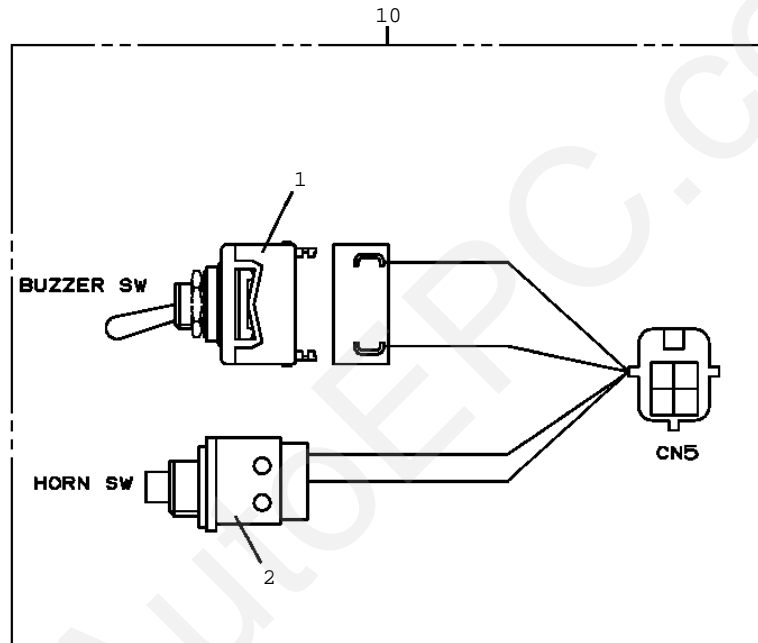
**TM-ZR300 31014010170A FRAME/SL,MANUAL,HOOK-IN**

Pos No.	Parts No	Parts Name	Qty	Unit	Technical Data	Serial No
1	82105501001	SWITCH,TOGGLE (PLATING)	1			
2	82101940130	SWITCH,PUSH (3PJW106F-021-CC)	1			
10	31653244200	SWITCH ASSY (PLATING:NACC)	1			

www.AutoEPC.com



TM-ZR300 31014010170A FRAME/SL, MANUAL, HOOK-IN  
PN1140221-00 SWITCH ASSY (GREEN: PANASONIC)

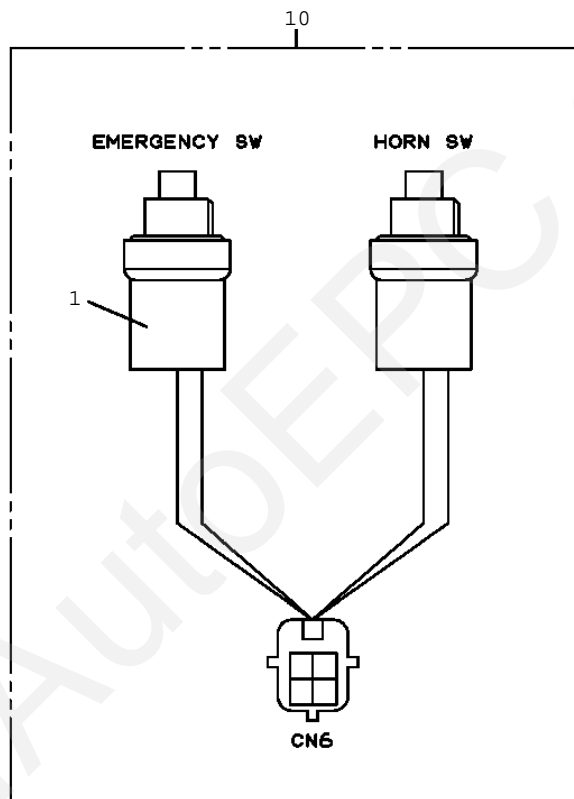


**TM-ZR300 31014010170A FRAME/SL,MANUAL,HOOK-IN**

Pos No.	Parts No	Parts Name	Qty	Unit	Technical Data	Serial No
1	82105410110	SWITCH,TOGGLE	1			
2	82101429241	SWITCH,PUSH (GREEN)	1			
10	31653244300	SWITCH ASSY (GREEN:PANASONIC)	1			

www.AutoEPC.com

TM-ZR300 31014010170A FRAME/SL, MANUAL, HOOK-IN  
PN1140222-00 SWITCH ASSY (PLATING:NACC)

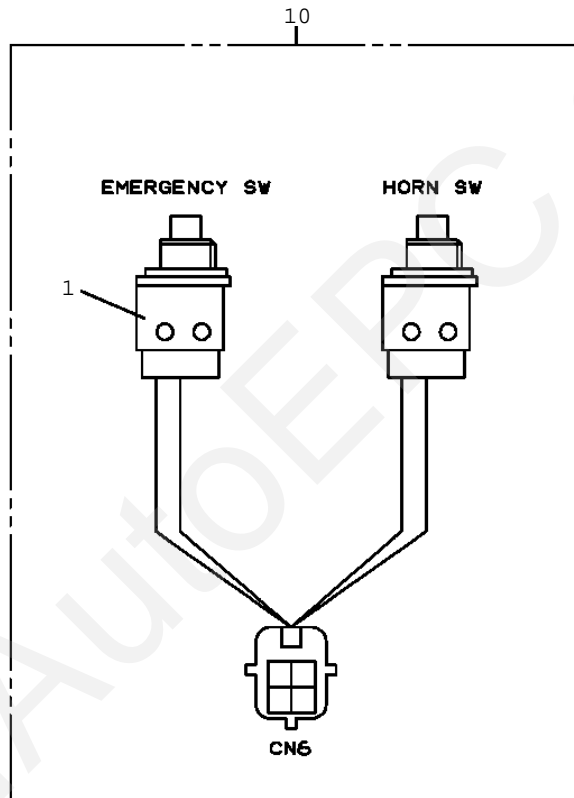


**TM-ZR300 31014010170A FRAME/SL,MANUAL,HOOK-IN**

Pos No.	Parts No	Parts Name	Qty	Unit	Technical Data	Serial No
1	82101940130	SWITCH,PUSH (3PJW106F-021-CC)	2			
10	31653243300	SWITCH ASSY (PLATING:NACC)	1			

www.AutoEPC.com

TM-ZR300 31014010170A FRAME/SL, MANUAL, HOOK-IN  
PN1140223-00 SWITCH ASSY (GREEN: PANASONIC)

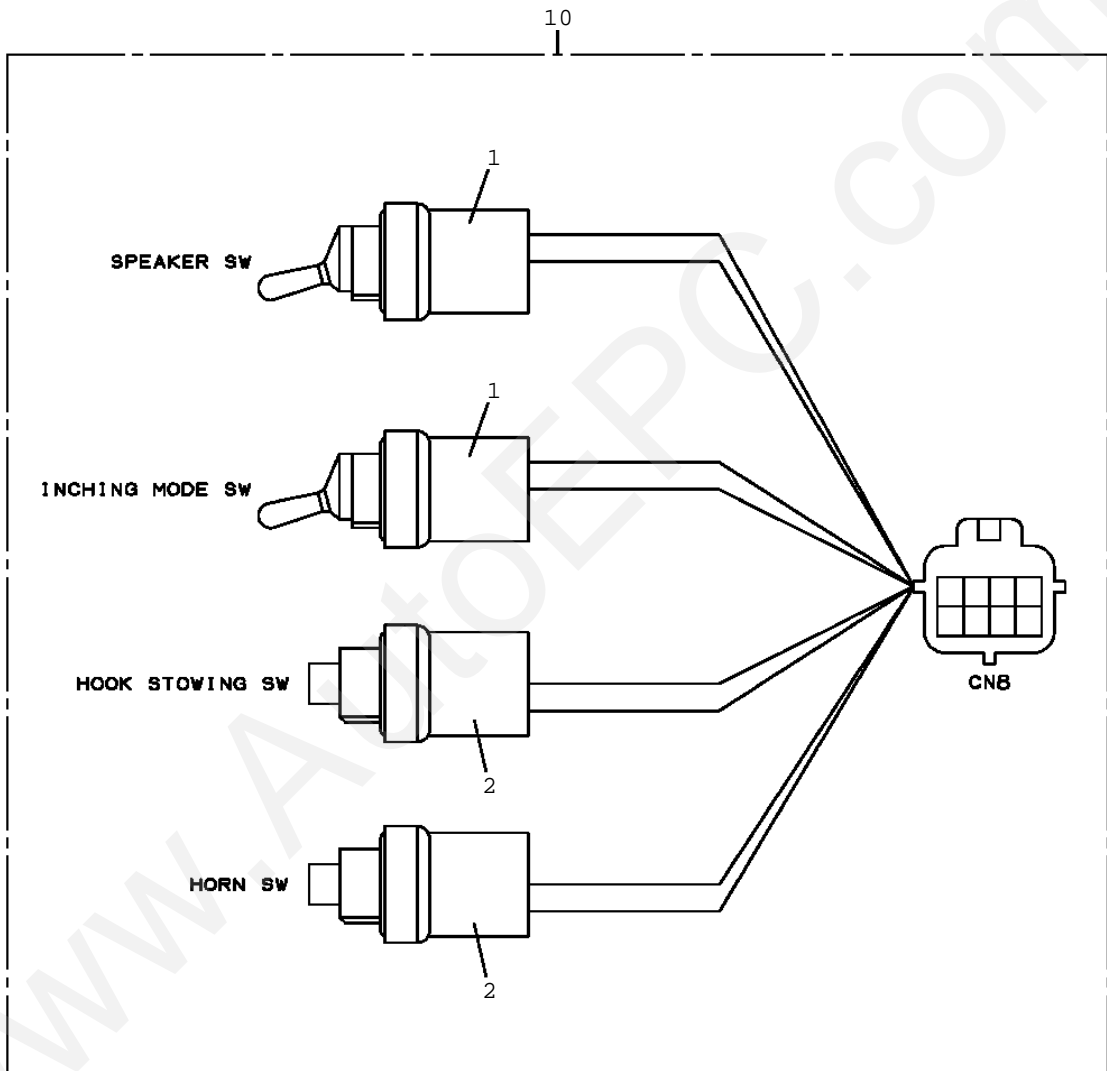


**TM-ZR300 31014010170A FRAME/SL,MANUAL,HOOK-IN**

Pos No.	Parts No	Parts Name	Qty	Unit	Technical Data	Serial No
1	82101429241	SWITCH,PUSH (GREEN)	2			
10	31653243400	SWITCH ASSY (GREEN:PANASONIC)	1			

www.AutoEPC.com

TM-ZR300 31014010170A FRAME/SL, MANUAL, HOOK-IN  
PN1140224-00 SWITCH ASSY (PLATING:NACC)



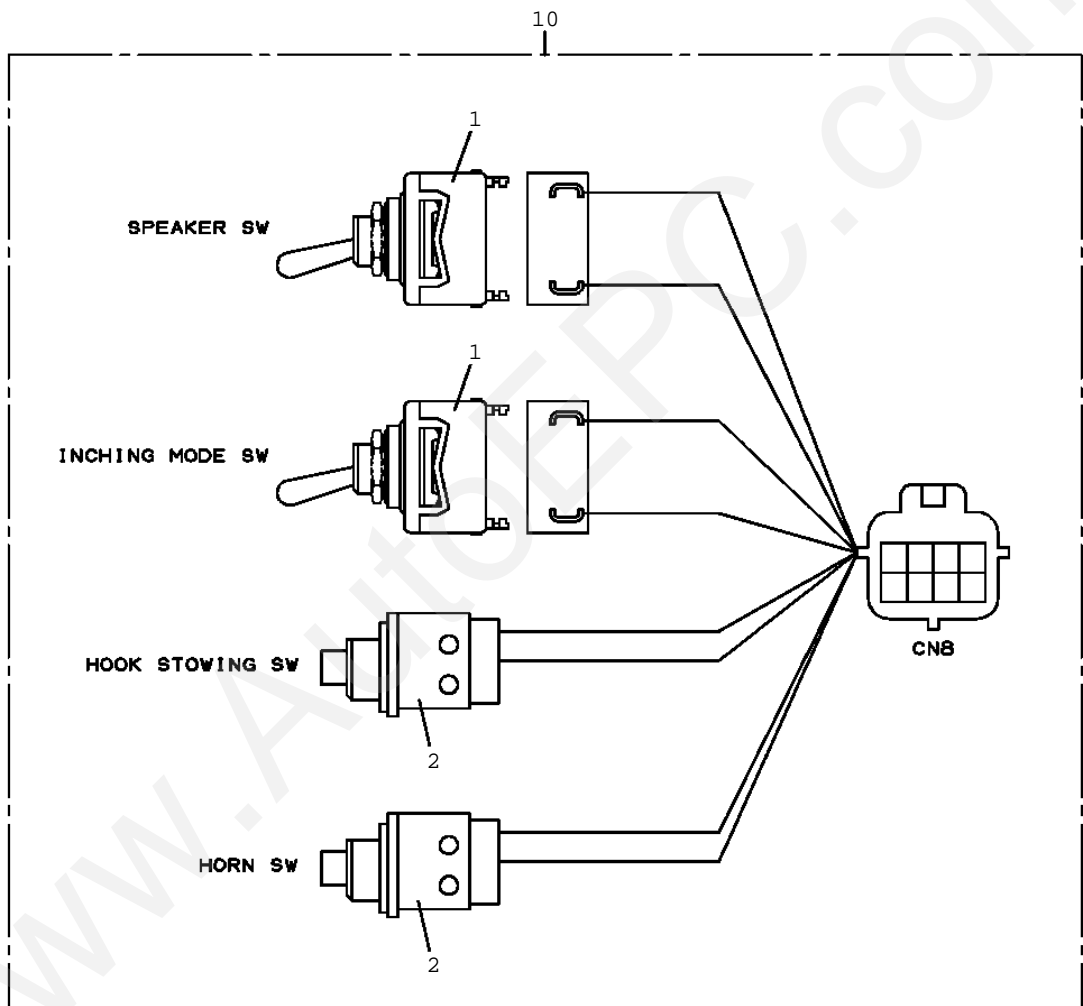
**TM-ZR300 31014010170A FRAME/SL,MANUAL,HOOK-IN**

Pos No.	Parts No	Parts Name	Qty	Unit	Technical Data	Serial No
1	82105501001	SWITCH,TOGGLE (PLATING)	2			
2	82101940130	SWITCH,PUSH (3PJW106F-021-CC)	2			
10	31653224200	SWITCH ASSY (PLATING:NACC)	1			

www.AutoEPC.com



TM-ZR300 31014010170A FRAME/SL, MANUAL, HOOK-IN  
PN1140225-00 SWITCH ASSY (GREEN: PANASONIC)

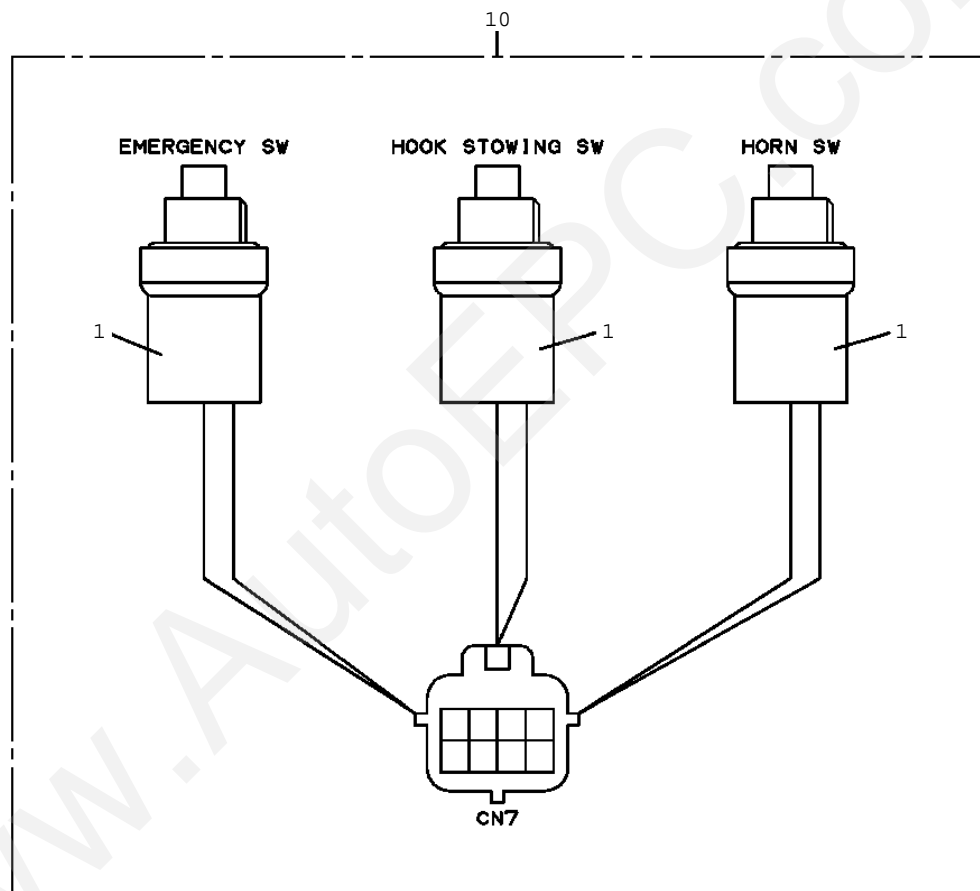


**TM-ZR300 31014010170A FRAME/SL,MANUAL,HOOK-IN**

Pos No.	Parts No	Parts Name	Qty	Unit	Technical Data	Serial No
1	82105410110	SWITCH,TOGGLE	2			
2	82101429241	SWITCH,PUSH (GREEN)	2			
10	31653224300	SWITCH ASSY (GREEN:PANASONIC)	1			

www.AutoEPC.com

TM-ZR300 31014010170A FRAME/SL, MANUAL, HOOK-IN  
PN1140226-00 SWITCH ASSY (PLATING:NACC)

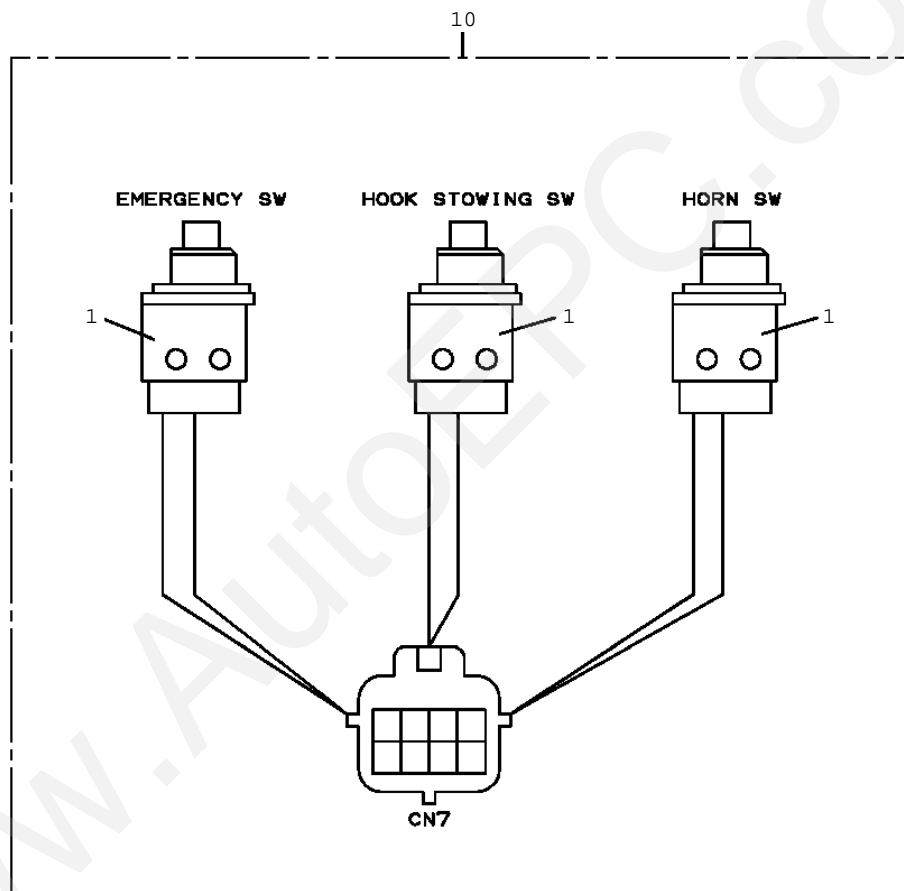


**TM-ZR300 31014010170A FRAME/SL,MANUAL,HOOK-IN**

Pos No.	Parts No	Parts Name	Qty	Unit	Technical Data	Serial No
1	82101940130	SWITCH,PUSH (3PJW106F-021-CC)	3			
10	31653223200	SWITCH ASSY (PLATING:NACC)	1			

www.AutoEPC.com

TM-ZR300 31014010170A FRAME/SL, MANUAL, HOOK-IN  
PN1140227-00 SWITCH ASSY (GREEN: PANASONIC)

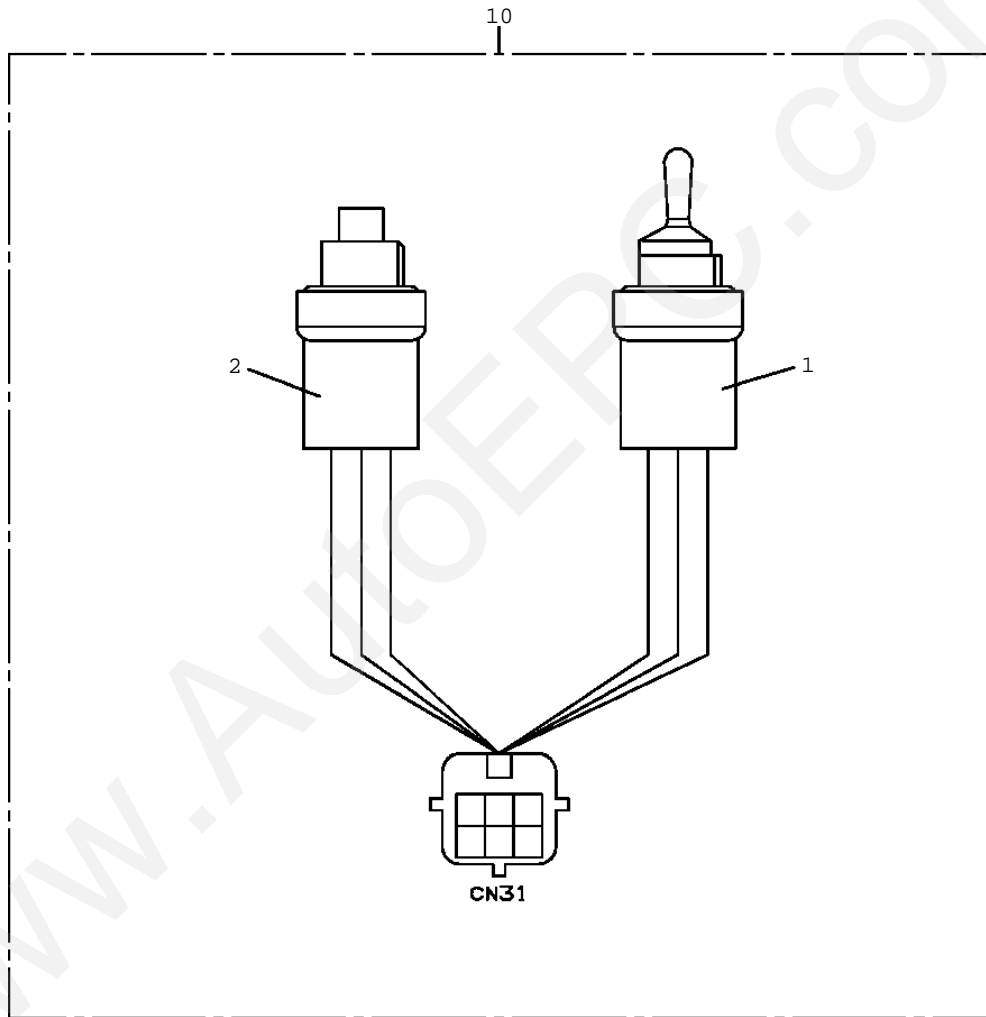


**TM-ZR300 31014010170A FRAME/SL,MANUAL,HOOK-IN**

Pos No.	Parts No	Parts Name	Qty	Unit	Technical Data	Serial No
1	82101429241	SWITCH,PUSH (GREEN)	3			
10	31653223300	SWITCH ASSY (GREEN:PANASONIC)	1			

www.AutoEPC.com

TM-ZR300 31014010170A FRAME/SL, MANUAL, HOOK-IN  
PN1140234-00 SWITCH ASSY (PLATING:NACC)



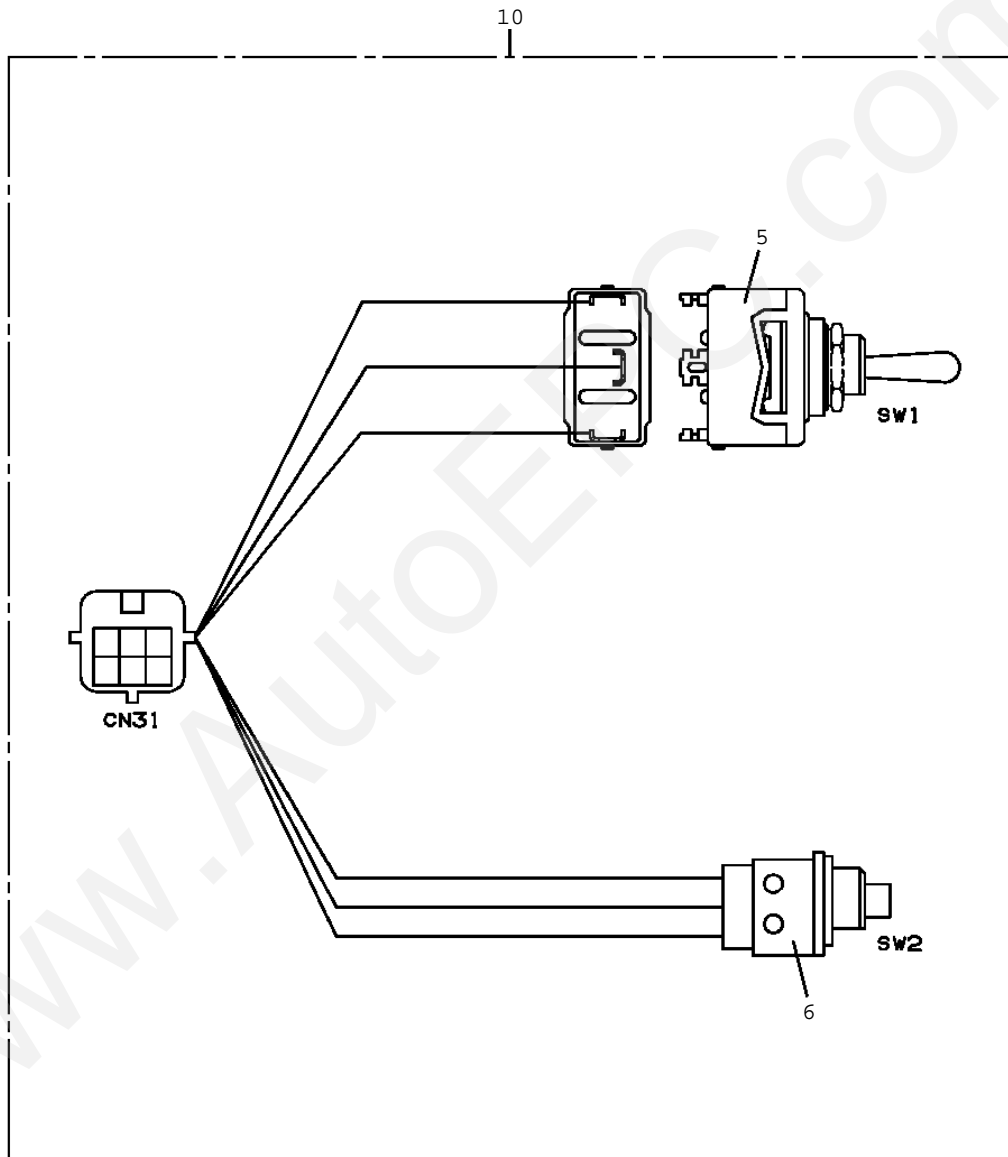
**TM-ZR300 31014010170A FRAME/SL,MANUAL,HOOK-IN**

Pos No.	Parts No	Parts Name	Qty	Unit	Technical Data	Serial No (
1	82105501002	SWITCH,TOGGLE (PLATING)	1		NACC 3TJW106G	
2	82101940120	SWITCH,PUSH (PLATING)	1		3PJW106F-021-AB	
10	31653741200	SWITCH ASSY (PLATING:NACC)	1			

www.AutoEPC.com



TM-ZR300 31014010170A FRAME/SL, MANUAL, HOOK-IN  
PN1140235-00 SWITCH ASSY (GREEN: PANASONIC)

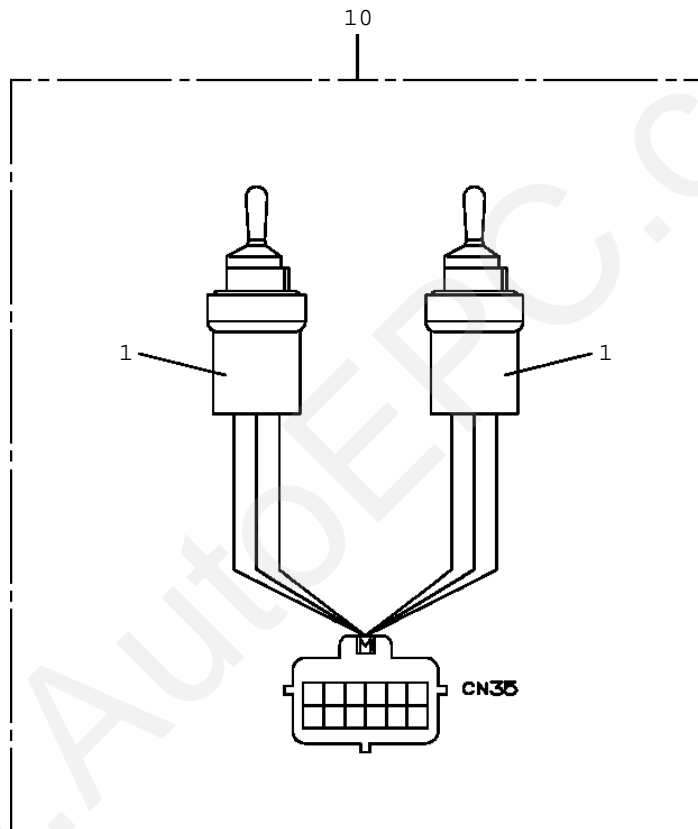


**TM-ZR300 31014010170A FRAME/SL,MANUAL,HOOK-IN**

Pos No.	Parts No	Parts Name	Qty	Unit	Technical Data	Serial No
5	82105411140	SWITCH,TOGGLE	1			
6	82101429239	SWITCH,PUSH (GREEN)	1			
10	31653741600	SWITCH ASSY (GREEN:PANASONIC)	1			

www.AutoEPC.com

TM-ZR300 31014010170A FRAME/SL, MANUAL, HOOK-IN  
PN1140239-00 SWITCH ASSY (WITH HARNESS, 2-SW)

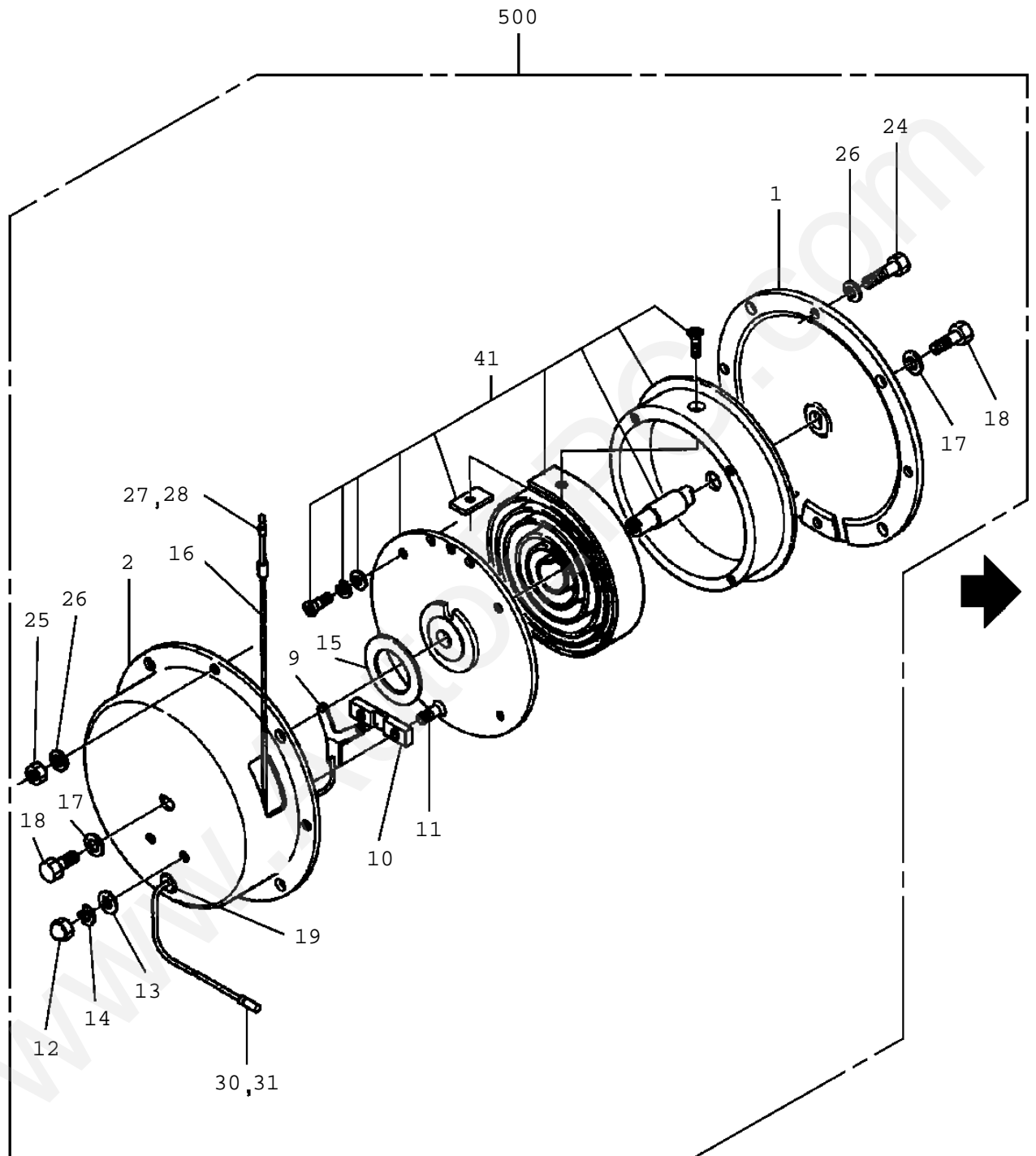


**TM-ZR300 31014010170A FRAME/SL,MANUAL,HOOK-IN**

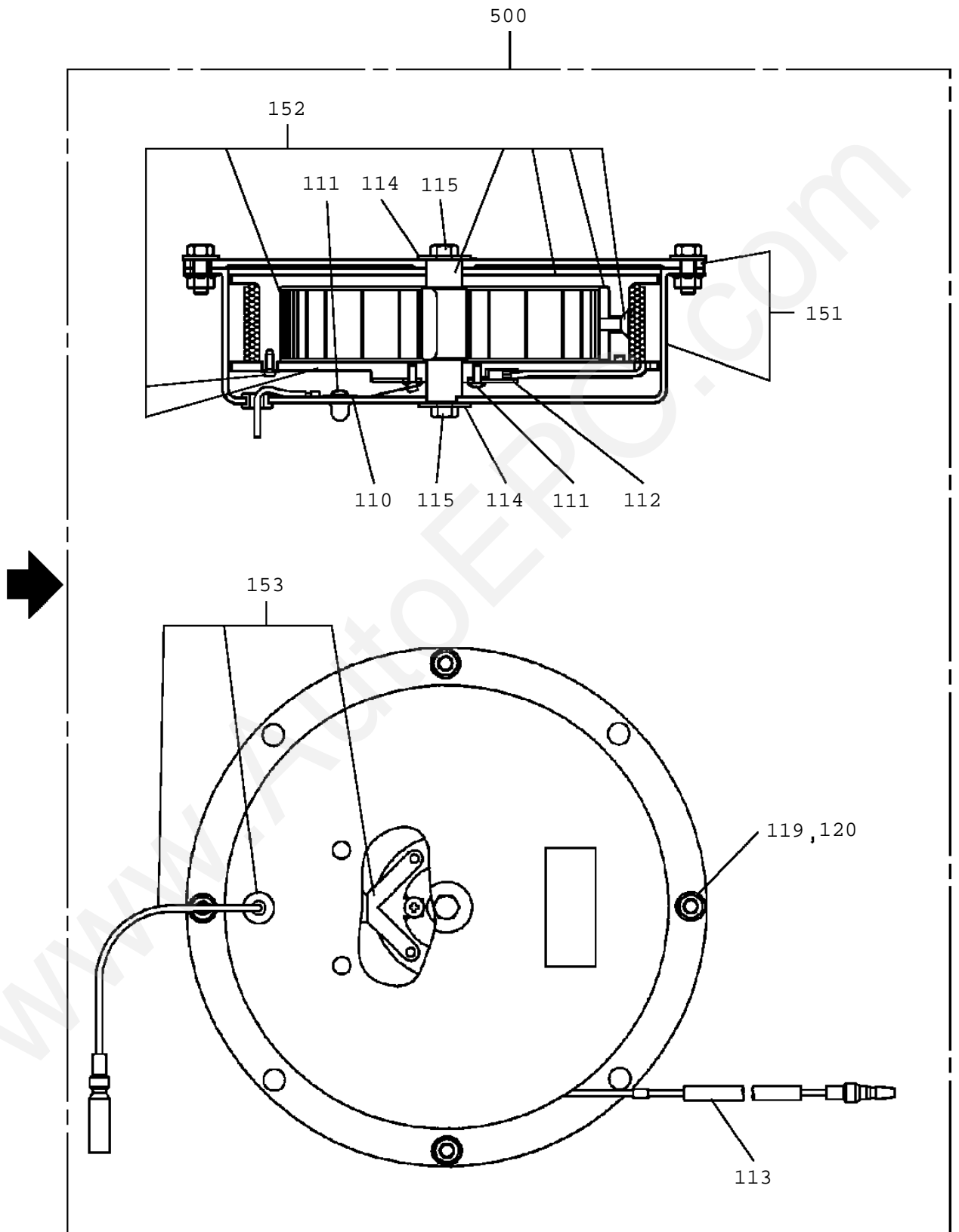
Pos No.	Parts No	Parts Name	Qty	Unit	Technical Data	Serial
1	82105501003	SWITCH	2			
10	31653322200	SWITCH ASSY (WITH HARNESS,2-SW)	1			

www.AutoEPC.com

TM-ZR300 31014010170A FRAME/SL, MANUAL, HOOK-IN  
PN1350004-01 REEL, CORD



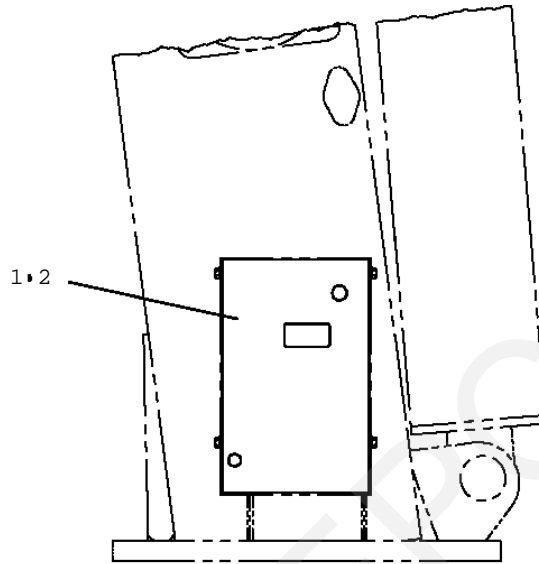
TM-ZR300 31014010170A FRAME/SL, MANUAL, HOOK-IN  
PN1350004-01 REEL, CORD



**TM-ZR300 31014010170A FRAME/SL,MANUAL,HOOK-IN**

Pos No.	Parts No	Parts Name	Qty	Unit	Technical Data	Serial No (Start)	Serial
1	31370255010	PLATE	1				
2	31370255020	CASE	1				
9	31370255080	BRUSH	1				
10	31370255090	PLATE	1				
11	80175104012	SCREW, MACHINE	2		M4X12		
12	90240200400	NUT, CAP	2		M4		
13	90303100401	WASHER, PLAIN	2		4		
14	90302040401	WASHER, SPRING	2		4		
15	31370255100	RING, SLIP	1				
16	82100000080	CORD (1-LINE)	14	M			
17	31370255110	WASHER	2				
18	90102205008	BOLT	2		M5X8		
19	31370255120	GROMMET	1				
24	90102205012	BOLT	4		M5X12		
25	90201200500	NUT	4		M5		
26	90303100501	WASHER, PLAIN	8		5		
27	82100000192	TERMINAL	1				
28	82100000182	INSULATOR	1				
30	82100000191	TERMINAL	1				
31	82100000183	INSULATOR	1				
41	36160265010	SPRING ASSY	1				
500	36160670000	REEL, CORD	1				

www.AutoEPC.com



1

高さ制限  

**AUTOMATIC WORKING AREA LIMITER**

高さ制限値  m

**△ 警告**

- ・設置場所をよく確認し、取付け位置を誤らせない。
- ・クレーン吊り上げ時、吊り上げ荷物の落下防止に効果的。
- ・吊り上げ荷物の落下防止に効果的。
- ・吊り上げ荷物の落下防止に効果的。
- ・吊り上げ荷物の落下防止に効果的。
- ・吊り上げ荷物の落下防止に効果的。

**AWL 作業開始前点検**



1. フォトルセンサが正常に動作していることを確認する。  
 フォトルセンサが正常に動作していることを確認する。  
 ・正常に動作している。  (NG)
2. 吊り上げ荷物をクレーンで吊り上げて、フォムが正常に動作していることを確認する。  
 フォムが正常に動作していることを確認する。  
 ・正常に動作している。  (NG)
3. フォムが正常に動作していることを確認する。  
 ・正常に動作している。  (NG)
4. 吊り上げ荷物をクレーンで吊り上げて、フォムが正常に動作していることを確認する。  
 ・正常に動作している。  (NG)

B. 確認

確認  確認

**AWL**

2

高さ制限  

**AUTOMATIC WORKING AREA LIMITER**

高さ制限値  m

**△ 警告**

- ・設置場所をよく確認し、取付け位置を誤らせない。
- ・クレーン吊り上げ時、吊り上げ荷物の落下防止に効果的。
- ・吊り上げ荷物の落下防止に効果的。
- ・吊り上げ荷物の落下防止に効果的。
- ・吊り上げ荷物の落下防止に効果的。
- ・吊り上げ荷物の落下防止に効果的。

**AWL 作業開始前点検**

1. PTOS 作業者が正常に動作していることを確認する。  
 PTOS 作業者が正常に動作していることを確認する。  
 ・正常に動作している。  (NG)
2. フォトルセンサが正常に動作していることを確認する。  
 フォトルセンサが正常に動作していることを確認する。  
 ・正常に動作している。  (NG)
3. 吊り上げ荷物をクレーンで吊り上げて、フォムが正常に動作していることを確認する。  
 ・正常に動作している。  (NG)
4. 確認。

B. 確認

確認  確認

**AWL**

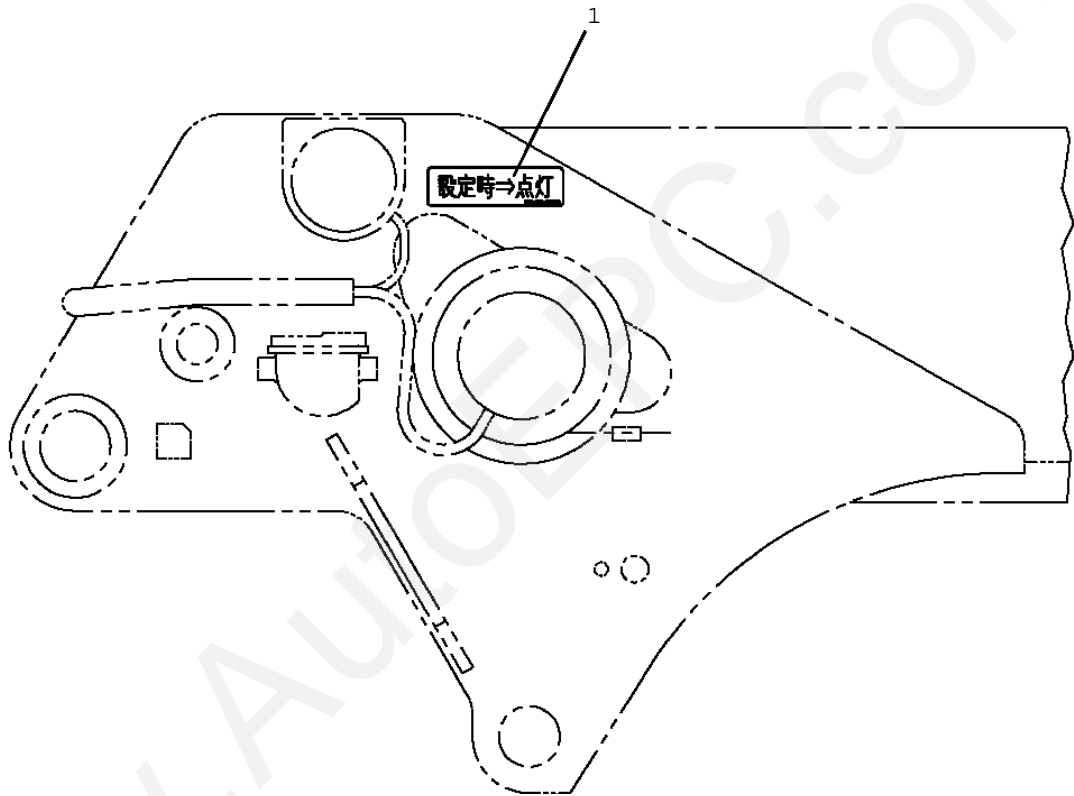


**TM-ZR300 31014010170A FRAME/SL,MANUAL,HOOK-IN**

Pos No.	Parts No	Parts Name	Qty	Unit	Technical Data	Serial No (Start)	Serial
1	31502232100	PLATE,CAUTION	1				
2	31502232200	PLATE,CAUTION	1				

www.AutoEPC.com

TM-ZR300 31014010170A FRAME/SL, MANUAL, HOOK-IN  
PN5010239-00 NAME PLATE ASSY



**TM-ZR300 31014010170A FRAME/SL,MANUAL,HOOK-IN**

Pos No.	Parts No	Parts Name	Qty	Unit	Technical Data	Serial No (Start)	Serial No
1	37002230910	PLATE,NAME	2				

www.AutoEPC.com

TM-ZR300 31014010170A FRAME/SL,MANUAL,HOOK-IN  
PO1000151-00 INDICATION PLATES

メイバン  
INDICATION PLATES

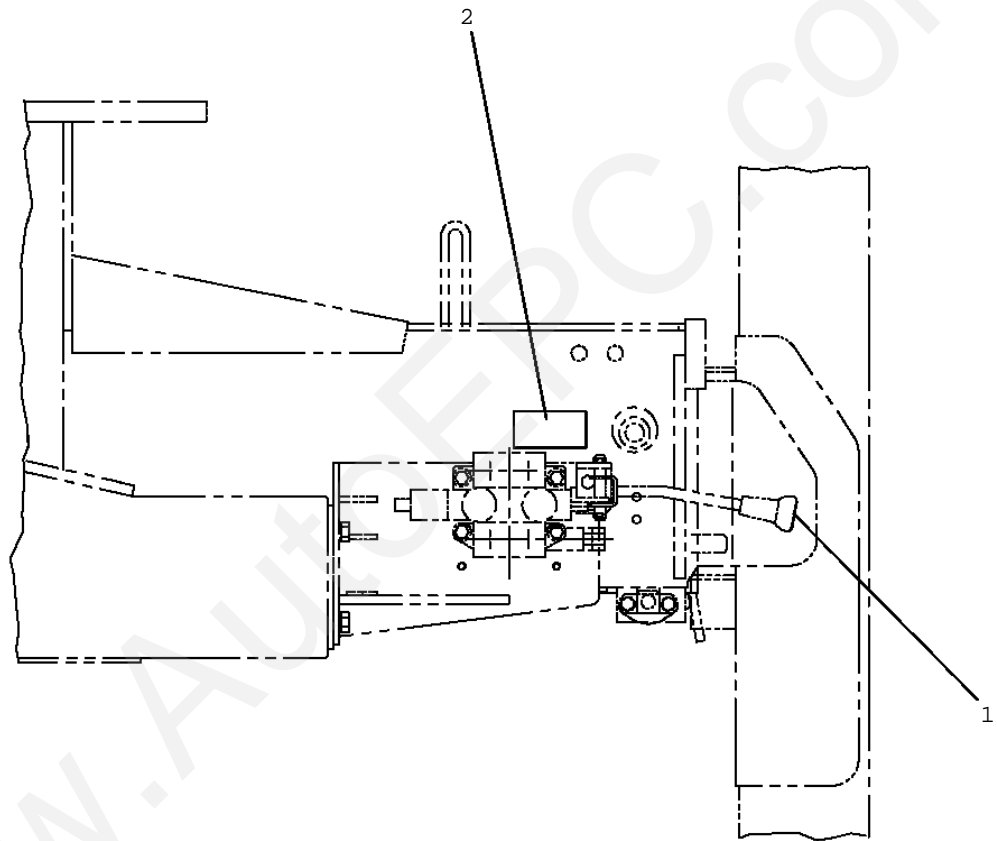
【組立名称一覧】より選択してください。  
SEE THE CORRESPONDING "ASSEMBLY NAME" LIST.

**TM-ZR300 31014010170A FRAME/SL,MANUAL,HOOK-IN**

Pos No.	Parts No	Parts Name	Qty	Unit	Technical Data	Serial N
1	(***** )	PLATE ASSY,NAME	1			
2	(***** )	PLATE ASSY,NAME (G)	2			
3	(***** )	PERFORMANCE DATA (ZR303SL/C)	1			
	(***** )	PERFORMANCE DATA (ZR303SL/A)	1			
	(***** )	PERFORMANCE DATA (ZR303SL/B)	1			
4	(***** )	PERFORMANCE DATA (ZR304SL/B)	1			
	(***** )	PERFORMANCE DATA (ZR304SL/C)	1			
	(***** )	PERFORMANCE DATA (ZR304SL/A)	1			

www.AutoEPC.com

TM-ZR300 31014010170A FRAME/SL, MANUAL, HOOK-IN  
PO1012211-01 PLATE ASSY, NAME (POWER SUPPLY)

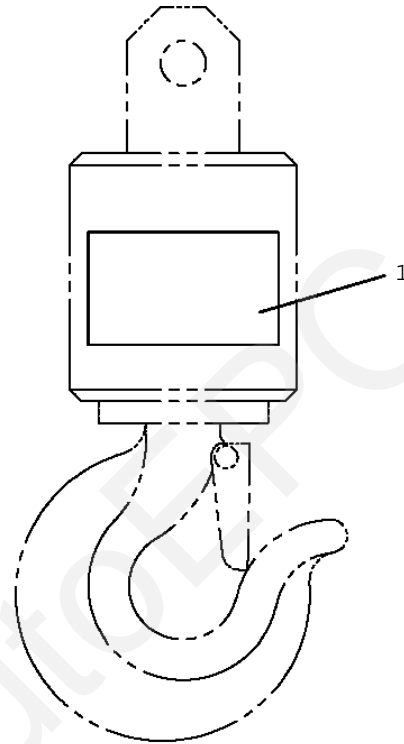


**TM-ZR300 31014010170A FRAME/SL,MANUAL,HOOK-IN**

Pos No.	Parts No	Parts Name	Qty	Unit	Technical Data	Serial No (Start)	Serial
1	31394810100	PLATE,NAME	1				
2	31394720300	PLATE,CAUTION	1				

www.AutoEPC.com

TM-ZR300 31014010170A FRAME/SL, MANUAL, HOOK-IN  
PO1012473-02 PLATE ASSY, NAME (HOOK)



1

つり上げ荷重 〇.49 t

<b>警告</b>	● 1本吊り時の定額吊重は、空車時定額吊重に劣ります。 ただし〇.49tを超える場合は、〇.49tとします。空車時定額吊重の値は、つり具設置（フック吊）を念じています。 314-734-01100
-----------	--

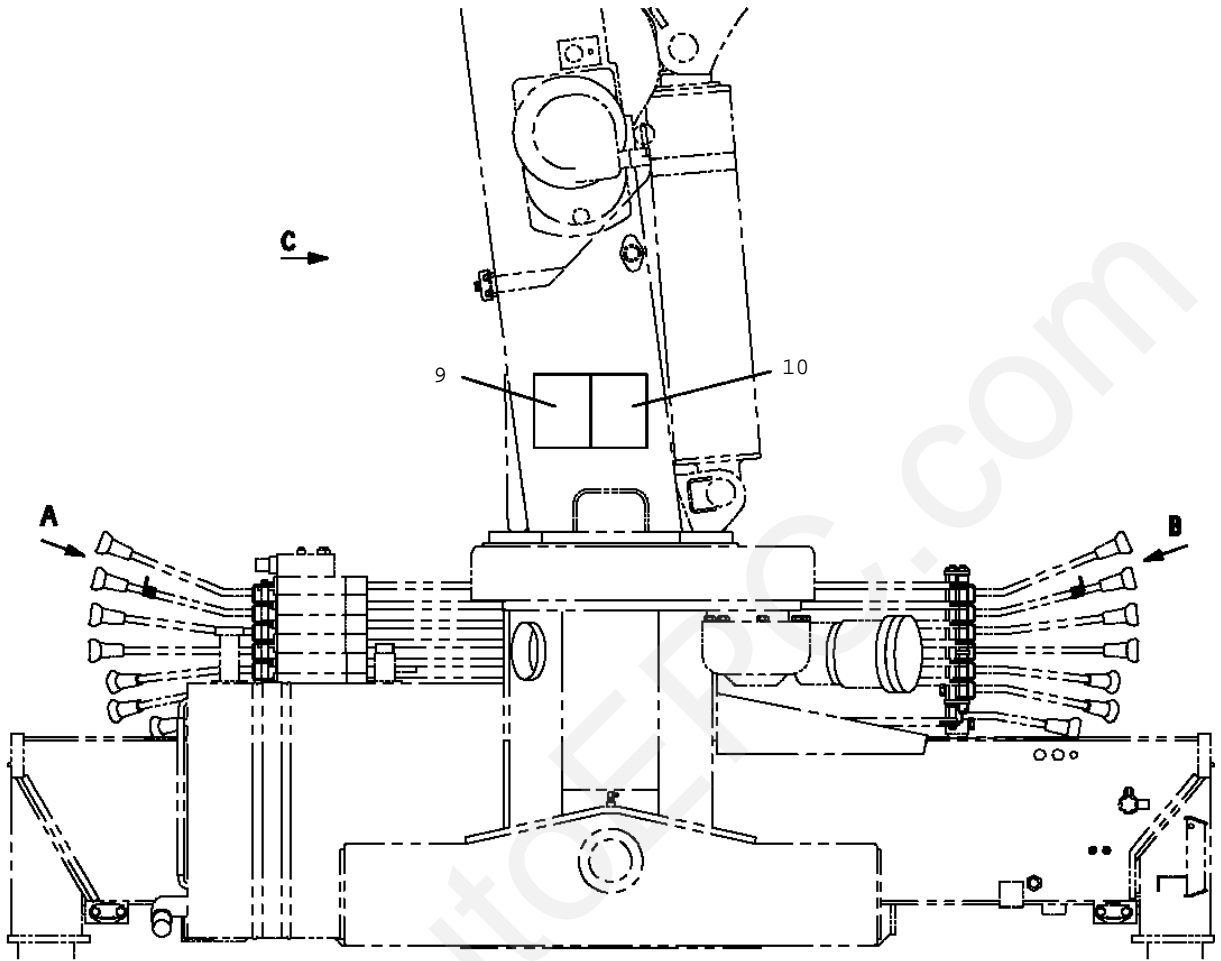


**TM-ZR300 31014010170A FRAME/SL,MANUAL,HOOK-IN**

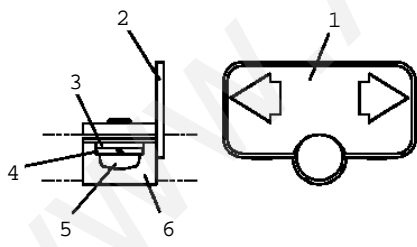
Pos No.	Parts No	Parts Name	Qty	Unit	Technical Data	Serial No (Start)	Serial
1	31473481100	PLATE,CAUTION	1				

www.AutoEPC.com

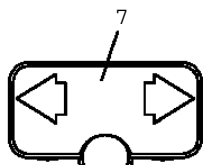
TM-ZR300 31014010170A FRAME/SL, MANUAL, HOOK-IN  
PO1013037-02 PLATE ASSY, NAME (DRUM FREE)



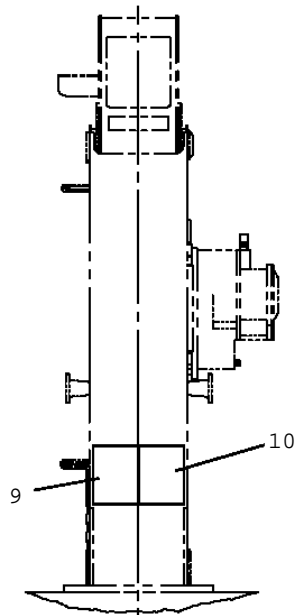
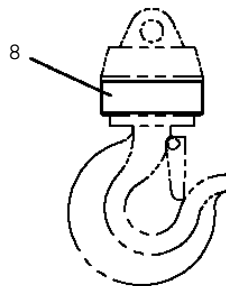
ZR300, 360, 500の場合



A



B



ZR260, 290の場合

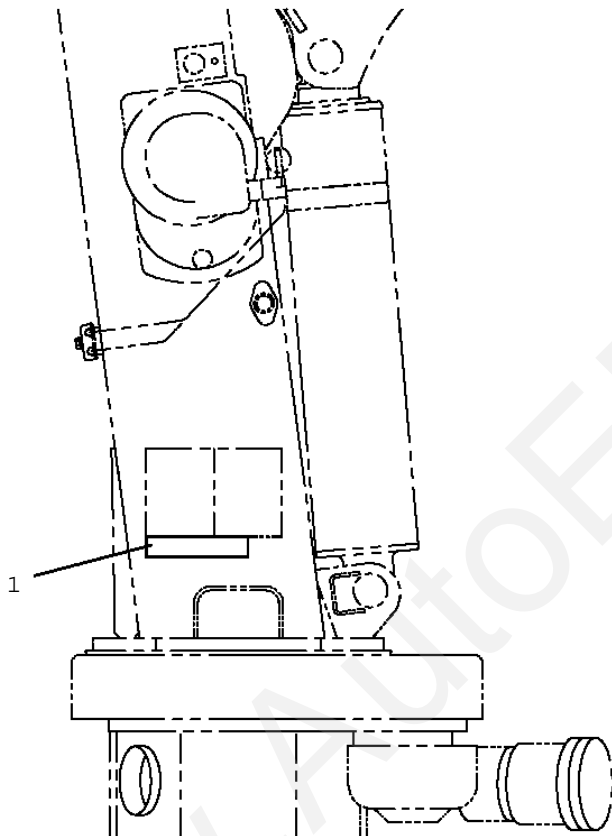
C

**TM-ZR300 31014010170A FRAME/SL,MANUAL,HOOK-IN**

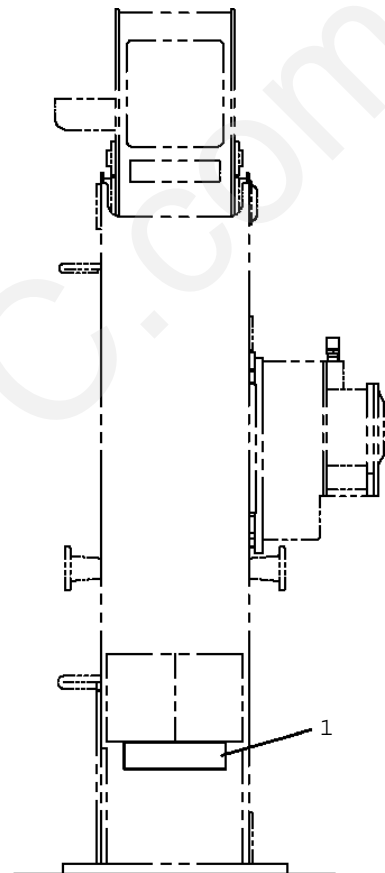
Pos No.	Parts No	Parts Name	Qty	Unit	Technical Data	Serial No (Star
1	31473745100	PLATE, NAME	1			
2	31473745400	SUPPORT	2			
3	90303070601	WASHER, PLAIN	4		6	
4	90302040601	WASHER, SPRING	4		6	
5	80182306008	SCREW, MACHINE	4		M6X8	
6	37000604590	CLAMP	2			
7	31473745200	PLATE, NAME	1			
8	31473745700	PLATE, CAUTION (0.49TON)	1			
9	31473745500	PLATE, CAUTION	1			
10	31473745600	PLATE, CAUTION	1			

www.AutoEPC.com

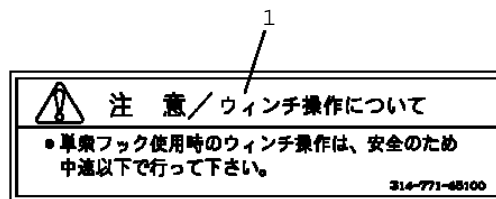
TM-ZR300 31014010170A FRAME/SL, MANUAL, HOOK-IN  
PO1013040-03 PLATE ASSY, NAME (1-PART LINE OPE.)



ZR300, 360, 500  
ZE300, 360, 500



ZR230, 260, 290  
ZE230, 260, 290

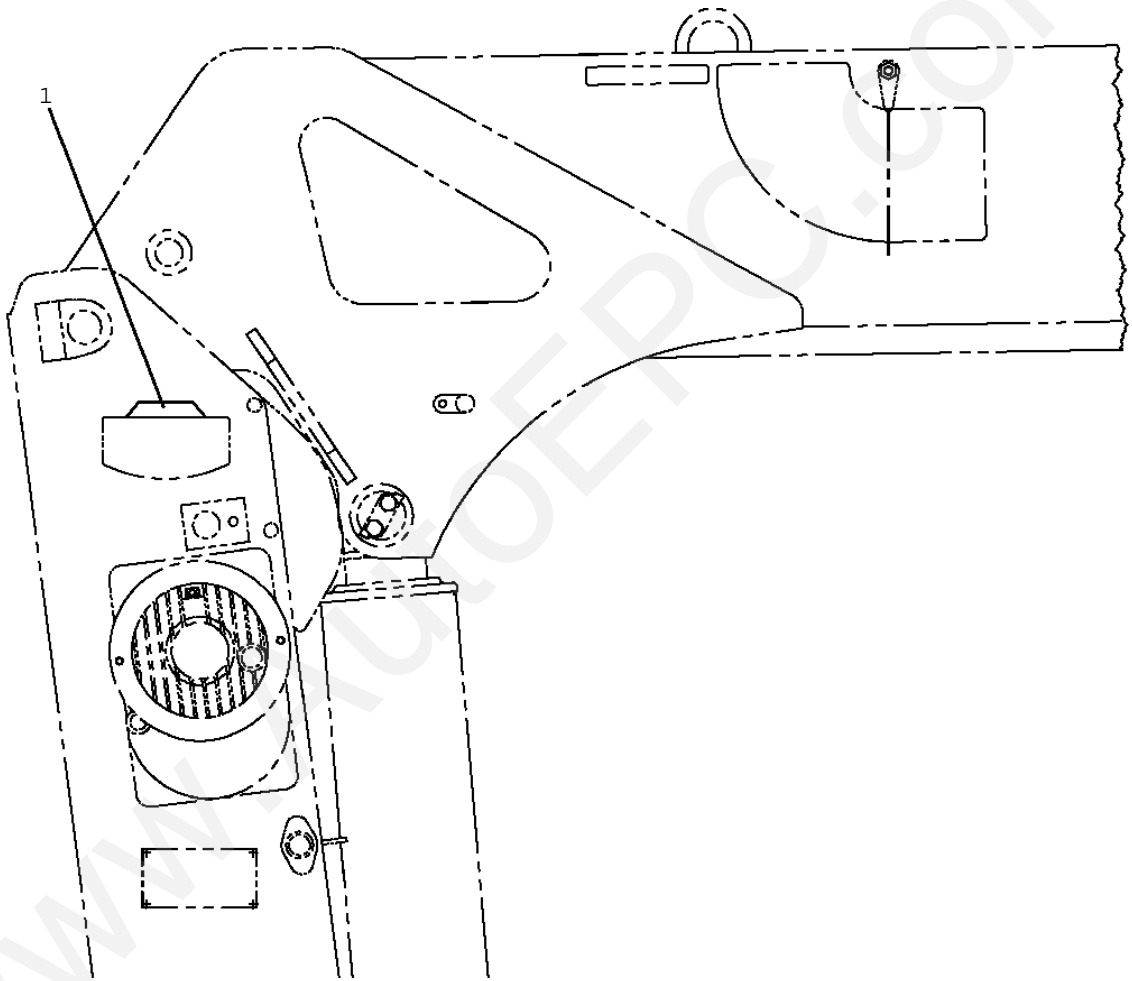


**TM-ZR300 31014010170A FRAME/SL,MANUAL,HOOK-IN**

Pos No.	Parts No	Parts Name	Qty	Unit	Technical Data	Serial No (Start)	Serial
1	31477165100	PLATE,CAUTION	1				

www.AutoEPC.com

TM-ZR300 31014010170A FRAME/SL, MANUAL, HOOK-IN  
PO1013041-01 PLATE ASSY, NAME (G)

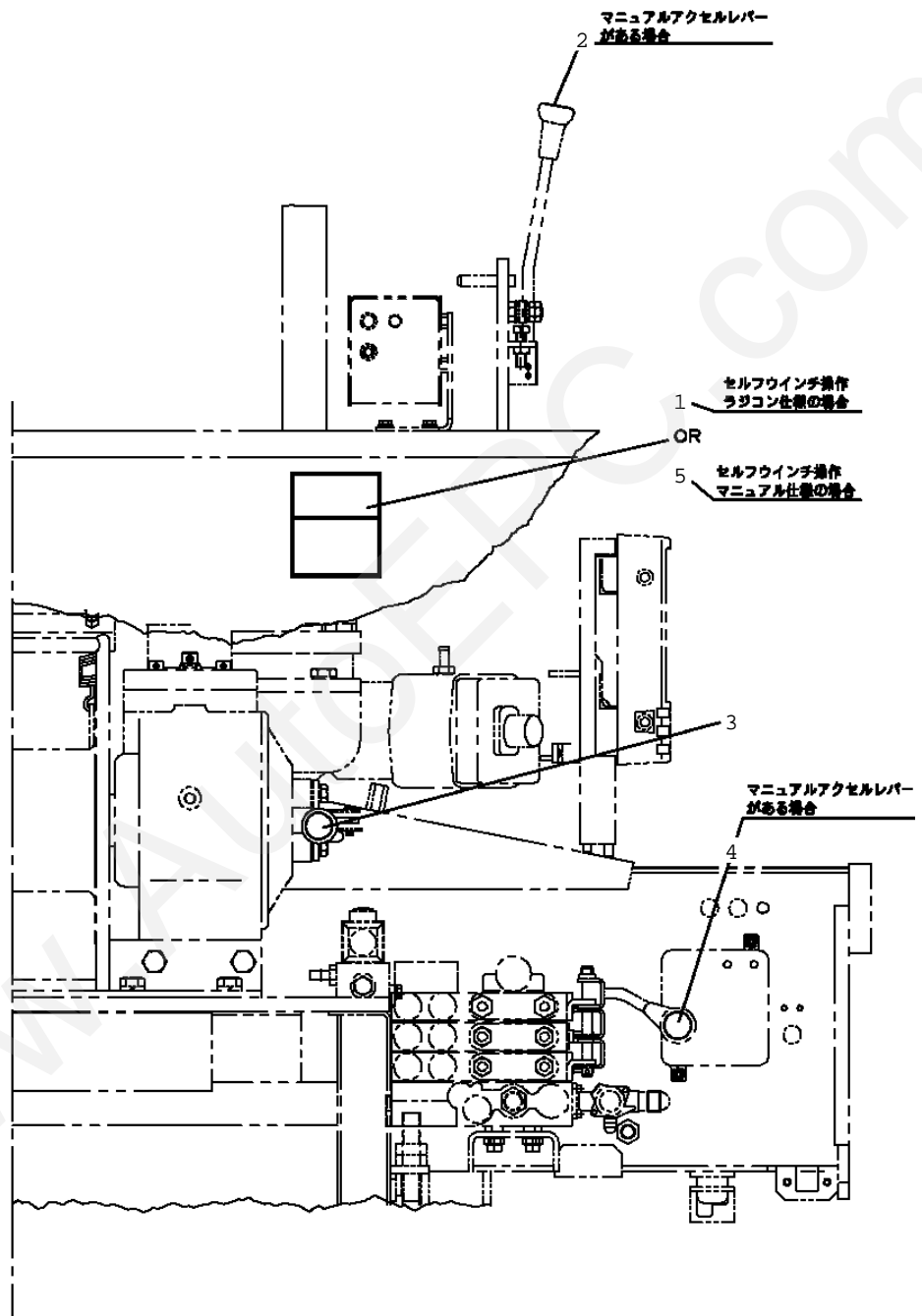


**TM-ZR300 31014010170A FRAME/SL,MANUAL,HOOK-IN**

Pos No.	Parts No	Parts Name	Qty	Unit	Technical Data	Serial No (Start)	Serial No (End)
1	37002221720	PLATE,NAME (G)	1				

www.AutoEPC.com

TM-ZR300 31014010170A FRAME/SL, MANUAL, HOOK-IN  
PO1013212-00 PLATE ASSY.NAME (ACC., CLUTCH, SL WINCH)



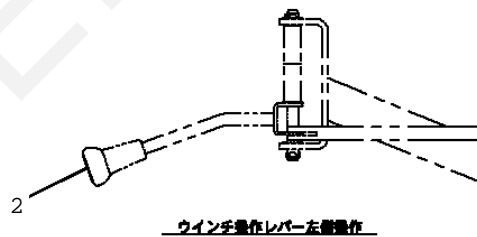
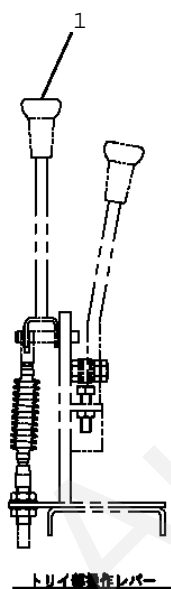


**TM-ZR300 31014010170A FRAME/SL,MANUAL,HOOK-IN**

Pos No.	Parts No	Parts Name	Qty	Unit	Technical Data	Serial No (Start)	Serial
1	31478151100	PLATE, CAUTION	1				
2	37002221410	PLATE, NAME	1				
3	37002222850	PLATE, NAME	1				
4	37002221380	PLATE, NAME	1				
5	31394550200	PLATE, CAUTION	1				

www.AutoEPC.com

TM-ZR300 31014010170A FRAME/SL, MANUAL, HOOK-IN  
PO1013319-00 PLATE ASSY, NAME (SL WINCH LEVER, MANUAL)

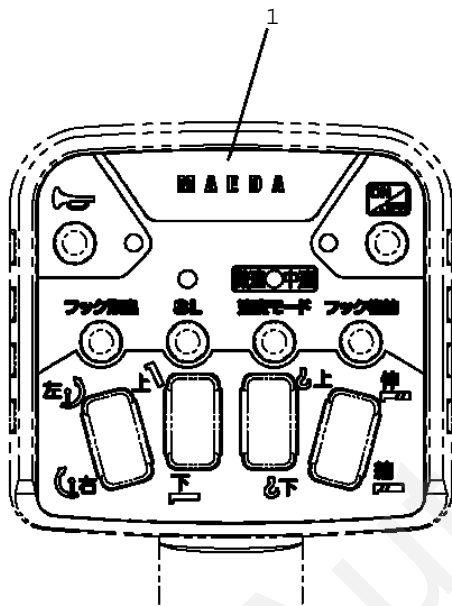


**TM-ZR300 31014010170A FRAME/SL, MANUAL, HOOK-IN**

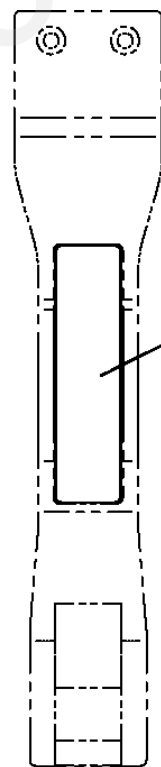
Pos No.	Parts No	Parts Name	Qty	Unit	Technical Data	Serial No (Start)	Serial No
1	37002221400	PLATE,NAME	1				
2	37002221390	PLATE,NAME	1				

www.AutoEPC.com

TM-ZR300 31014010170A FRAME/SL, MANUAL, HOOK-IN  
PO1014307-00 PLATE ASSY, NAME



ハンドガード内側



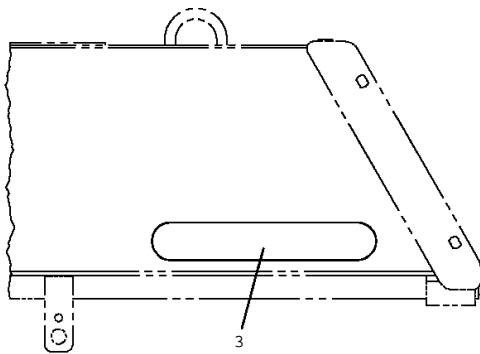
ハンドガード外側

**TM-ZR300 31014010170A FRAME/SL,MANUAL,HOOK-IN**

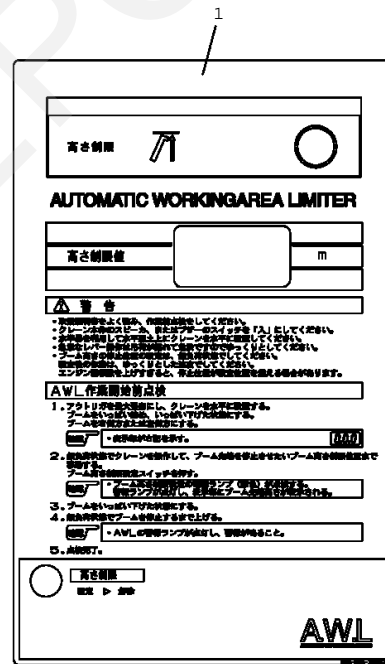
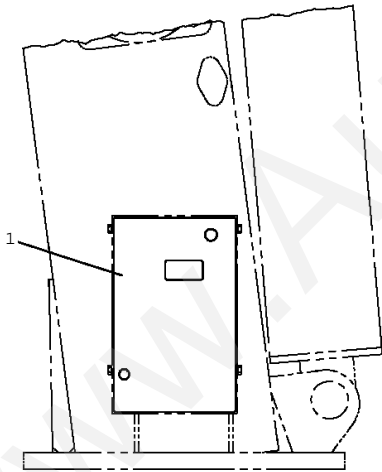
Pos No.	Parts No	Parts Name	Qty	Unit	Technical Data	Serial No (Start)	S
1	36805150110	PLATE,NAME	1				
2	36805150120	PLATE,NAME (MAEDA)	1				
3	36805090130	PLATE,NAME	1				

www.AutoEPC.com

TM-ZR300 31014010170A FRAME/SL, MANUAL, HOOK-IN  
 PO1014437-01 PLATE ASSY, NAME (UPPER)



高さ制限装置付

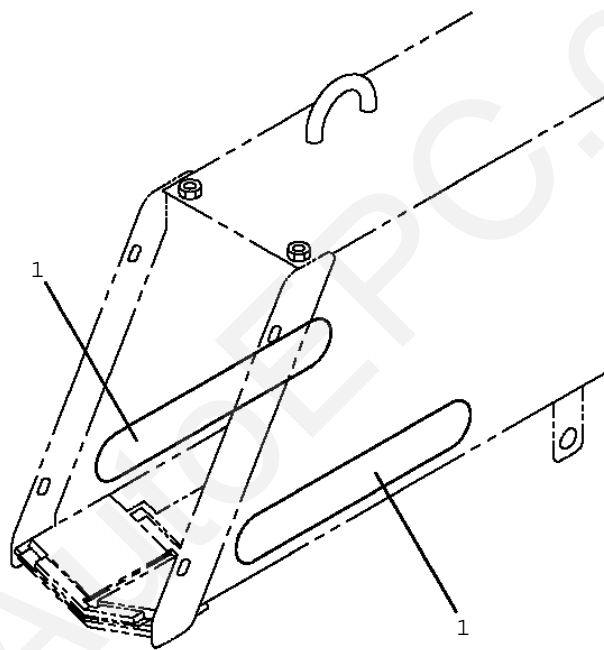


**TM-ZR300 31014010170A FRAME/SL,MANUAL,HOOK-IN**

Pos No.	Parts No	Parts Name	Qty	Unit	Technical Data	Serial No (Start)
1	31500512100	PLATE,CAUTION (AWL)	1			
3	31361473100	PLATE,NAME	2			

www.AutoEPC.com

TM-ZR300 31014010170A FRAME/SL, MANUAL, HOOK-IN  
PO1014584-01 PLATE ASSY, NAME (BOOM, ELEV. STOWING FAILURE)



1  
ブーム格納忘れ警報装置付

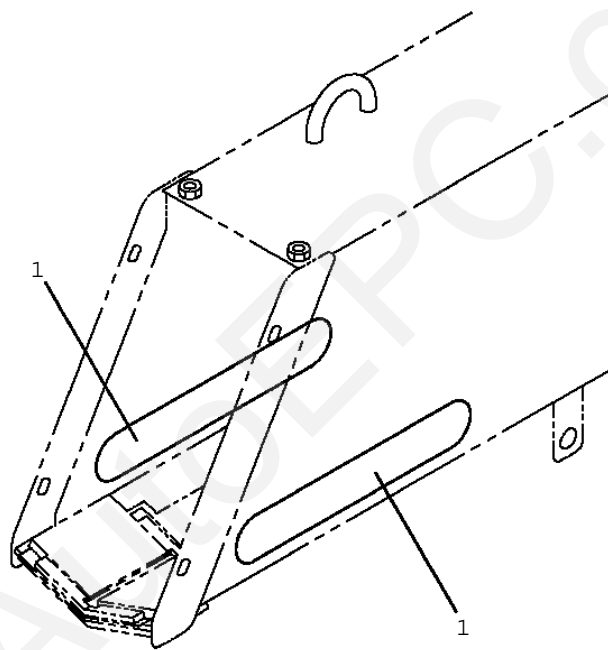


**TM-ZR300 31014010170A FRAME/SL,MANUAL,HOOK-IN**

Pos No.	Parts No	Parts Name	Qty	Unit	Technical Data	Serial No (Start)	Serial No
1	31477441100	PLATE,NAME	2				

www.AutoEPC.com

TM-ZR300 31014010170A FRAME/SL, MANUAL, HOOK-IN  
PO1014592-01 PLATE ASSY, NAME



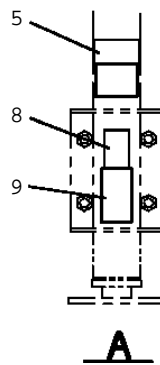
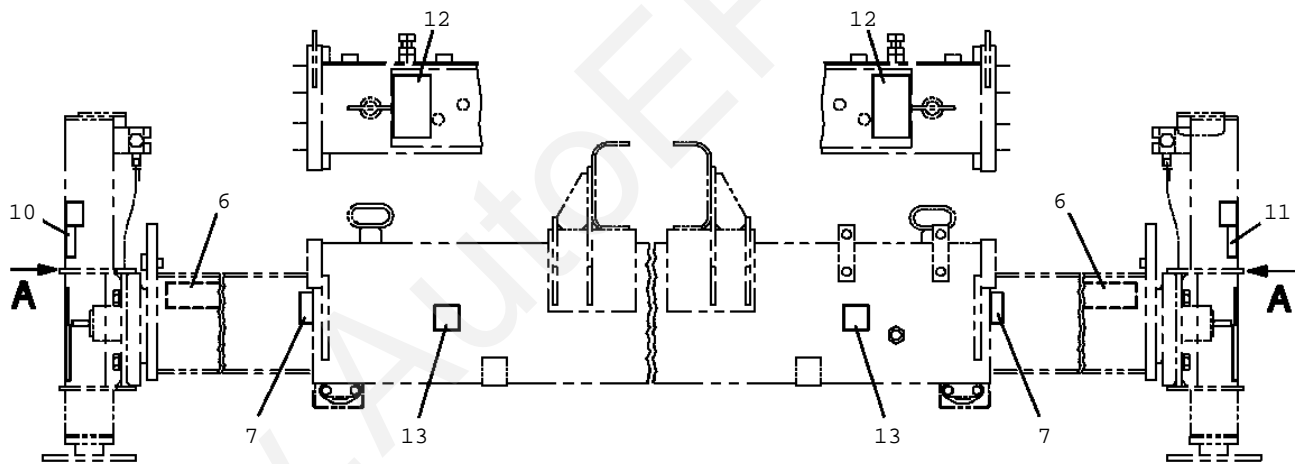
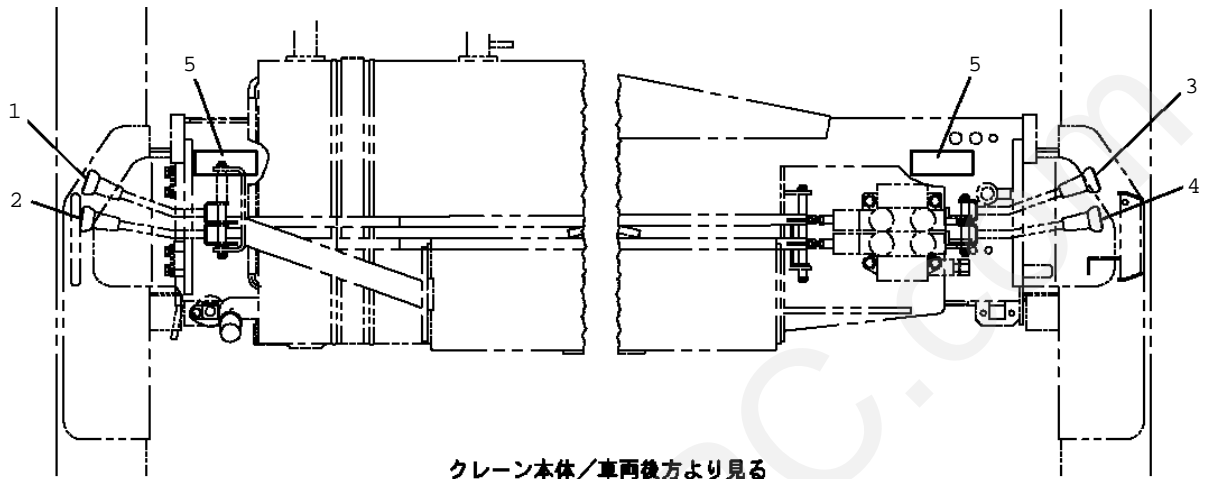
1  
アーム・アウトリガ格納忘れ警報装置付

**TM-ZR300 31014010170A FRAME/SL,MANUAL,HOOK-IN**

Pos No.	Parts No	Parts Name	Qty	Unit	Technical Data	Serial No (Start)	Serial No
1	31477333100	PLATE,NAME	2				

www.AutoEPC.com

TM-ZR300 31014010170A FRAME/SL, MANUAL, HOOK-IN  
PO1014610-00 PLATE ASSY, NAME

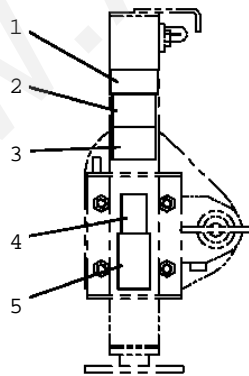
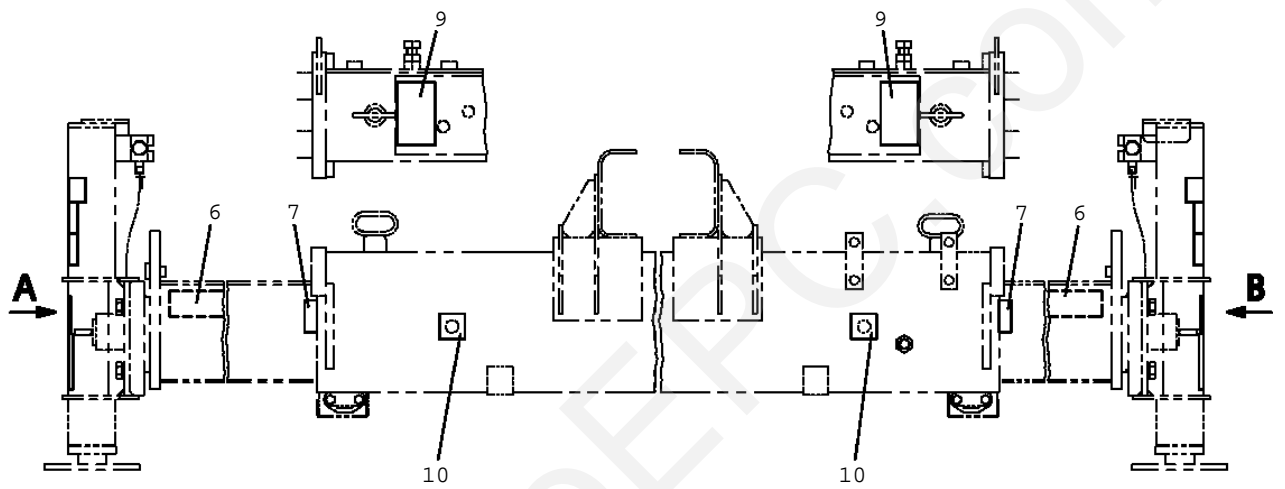


**TM-ZR300 31014010170A FRAME/SL,MANUAL,HOOK-IN**

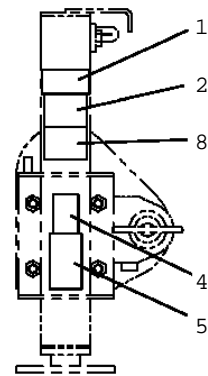
Pos No.	Parts No	Parts Name	Qty	Unit	Technical Data	Serial No (Start)
1	37002220770	PLATE,NAME	1			
2	37002220780	PLATE,NAME	1			
3	37002220790	PLATE,NAME	1			
4	37002220800	PLATE,NAME	1			
5	31394490500	PLATE,CAUTION	4			
6	31393180100	REFLECTOR (RED)	2			
7	31611300500	PLATE,NAME (WHITE)	4			
8	31395220250	PLATE,CAUTION	2			
9	37002220430	PLATE,CAUTION	2			
10	31394500100	PLATE,CAUTION	1			
11	31394500200	PLATE,CAUTION	1			
12	37002226500	PLATE,CAUTION	2			
13	37002213970	PLATE,NAME (MARKING)	2			

www.AutoEPC.com

TM-ZR300 31014010170A FRAME/SL, MANUAL, HOOK-IN  
PO1014635-00 PLATE ASSY, NAME



**A**



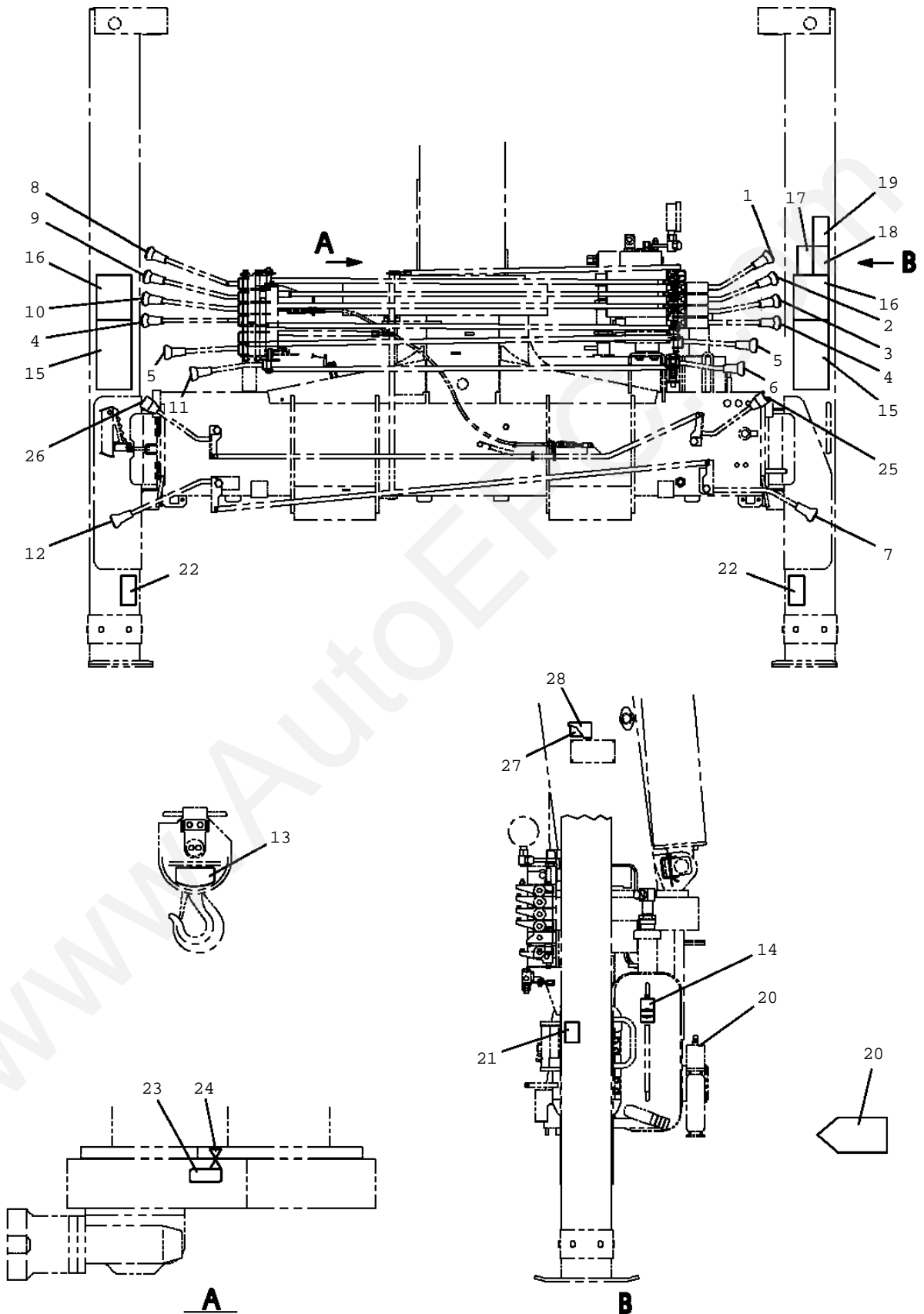
**B**

**TM-ZR300 31014010170A FRAME/SL,MANUAL,HOOK-IN**

Pos No.	Parts No	Parts Name	Qty	Unit	Technical Data	Serial No (Start)
1	31394490500	PLATE,CAUTION	2			
2	31611823200	PLATE,CAUTION	2			
3	31394500100	PLATE,CAUTION	1			
4	31395220250	PLATE,CAUTION	2			
5	37002220430	PLATE,CAUTION	2			
6	31393180100	REFLECTOR (RED)	2			
7	31611300500	PLATE,NAME (WHITE)	4			
8	31394500200	PLATE,CAUTION	1			
9	37002226500	PLATE,CAUTION	2			
10	37002213970	PLATE,NAME (MARKING)	2			

www.AutoEPC.com

TM-ZR300 31014010170A FRAME/SL, MANUAL, HOOK-IN  
PO1014739-00 PLATE ASSY, NAME



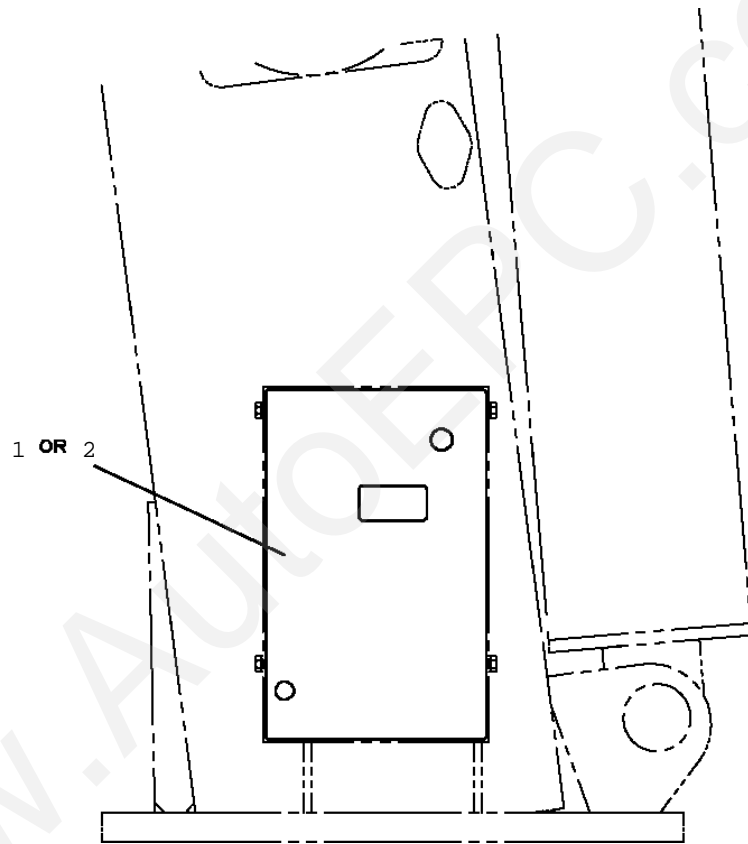


**TM-ZR300 31014010170A FRAME/SL, MANUAL, HOOK-IN**

Pos No.	Parts No	Parts Name	Qty	Unit	Technical Data	Serial No (Start)
1	37002220460	PLATE, NAME	1			
2	37002220470	PLATE, NAME	1			
3	37002220480	PLATE, NAME	1			
4	37002220490	PLATE, NAME	2			
5	37002220590	PLATE, NAME	1			
6	37002220520	PLATE, NAME	1			
7	37002220600	PLATE, NAME	1			
8	37002220530	PLATE, NAME	1			
9	37002220540	PLATE, NAME	1			
10	37002220550	PLATE, NAME	1			
11	37002220580	PLATE, NAME	1			
12	37002220610	PLATE, NAME	1			
13	37002221010	PLATE, NAME (2.93TON)	2			
14	31492200210	PLATE, NAME	1			
15	31395040210	PLATE, CAUTION	2			
16	31395220230	PLATE, CAUTION	2			
17	37002220410	PLATE, CAUTION	1			
18	37002220420	PLATE, CAUTION	1			
19	37002220440	PLATE, CAUTION	1			
20	37002206490	PLATE, NAME (GREASE)	5			
21	31395220250	PLATE, CAUTION	2			
22	37002220430	PLATE, CAUTION	2			
23	37002220450	PLATE, NAME	1			
24	37002200320	PLATE, NAME	1			
25	37002220620	PLATE, NAME	1			
26	37002220820	PLATE, NAME	1			
27	37002224400	PLATE, NAME	1			
28	37002224440	PLATE, NAME	1			

www.AutoEPC.com

TM-ZR300 31014010170A FRAME/SL, MANUAL, HOOK-IN  
PO1014748-00 PLATE ASSY, NAME (FOR FIXING AWL)

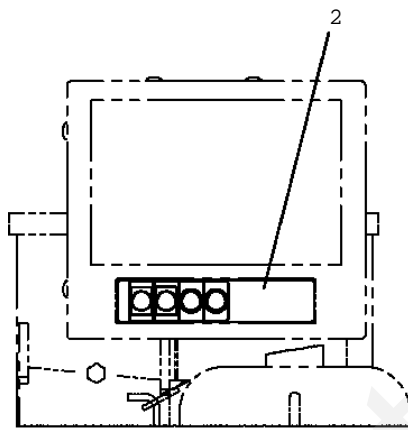


**TM-ZR300 31014010170A FRAME/SL,MANUAL,HOOK-IN**

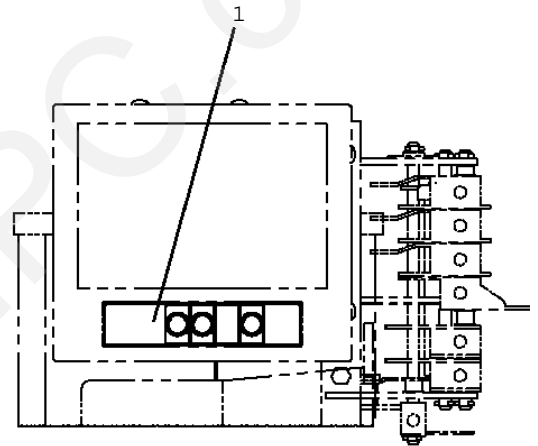
Pos No.	Parts No	Parts Name	Qty	Unit	Technical Data	Serial No (Star
1	31361841100	PLATE,CAUTION (FOR AWL)	1			
2	31361841200	PLATE,CAUTION (FOR BML)	1			

www.AutoEPC.com

TM-ZR300 31014010170A FRAME/SL,MANUAL,HOOK-IN  
PO1014749-00 PLATE ASSY,NAME (HOOK-IN/HOOK STOWING)



車輛左側



車輛右側

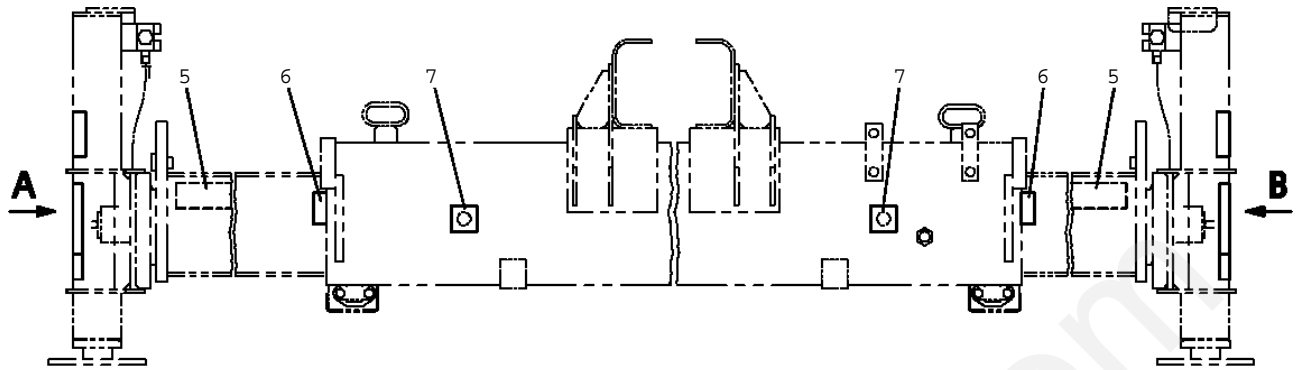
フックイン仕様

**TM-ZR300 31014010170A FRAME/SL,MANUAL,HOOK-IN**

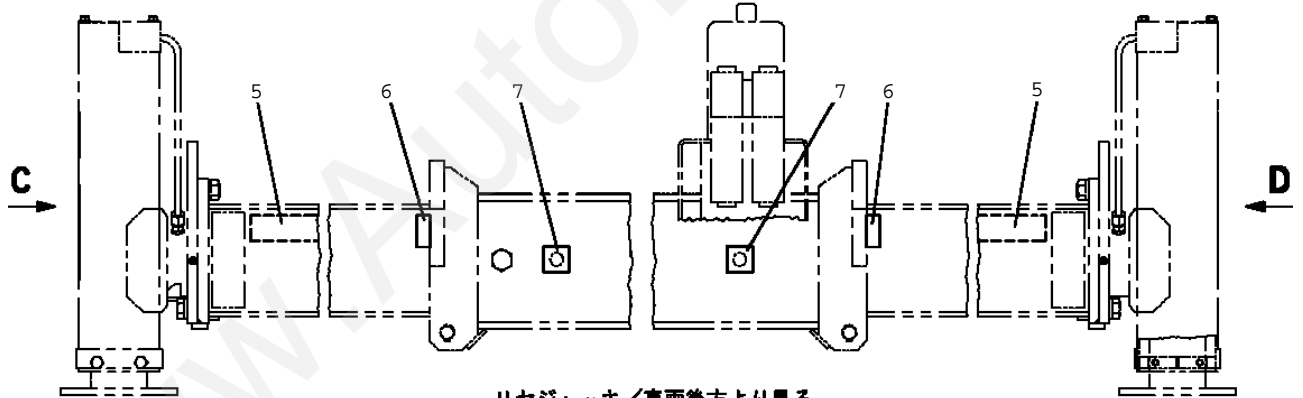
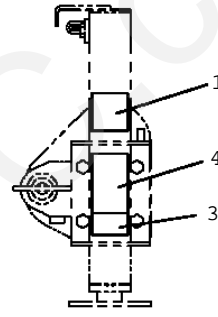
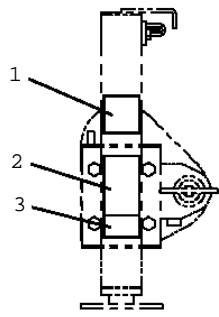
Pos No.	Parts No	Parts Name	Qty	Unit	Technical Data	Serial No (Start)	Serial No
1	31270380510	PLATE,NAME	1				
2	31270380110	PLATE,NAME	1				

www.AutoEPC.com

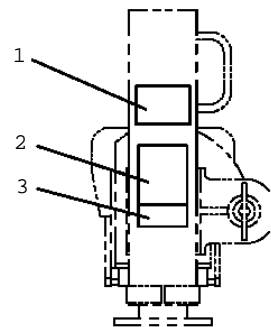
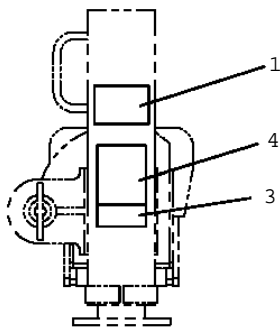
TM-ZR300 31014010170A FRAME/SL, MANUAL, HOOK-IN  
PO1015086-01 PLATE ASSY, NAME

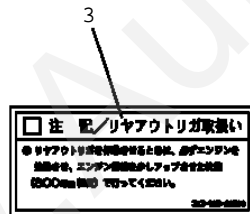
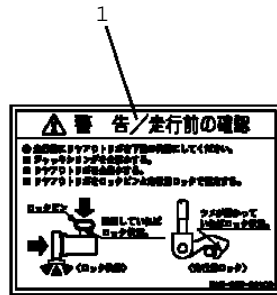


リヤジャッキ/車両後方より見る  
(ZE300, ZE360)



リヤジャッキ/車両後方より見る  
(ZE500)





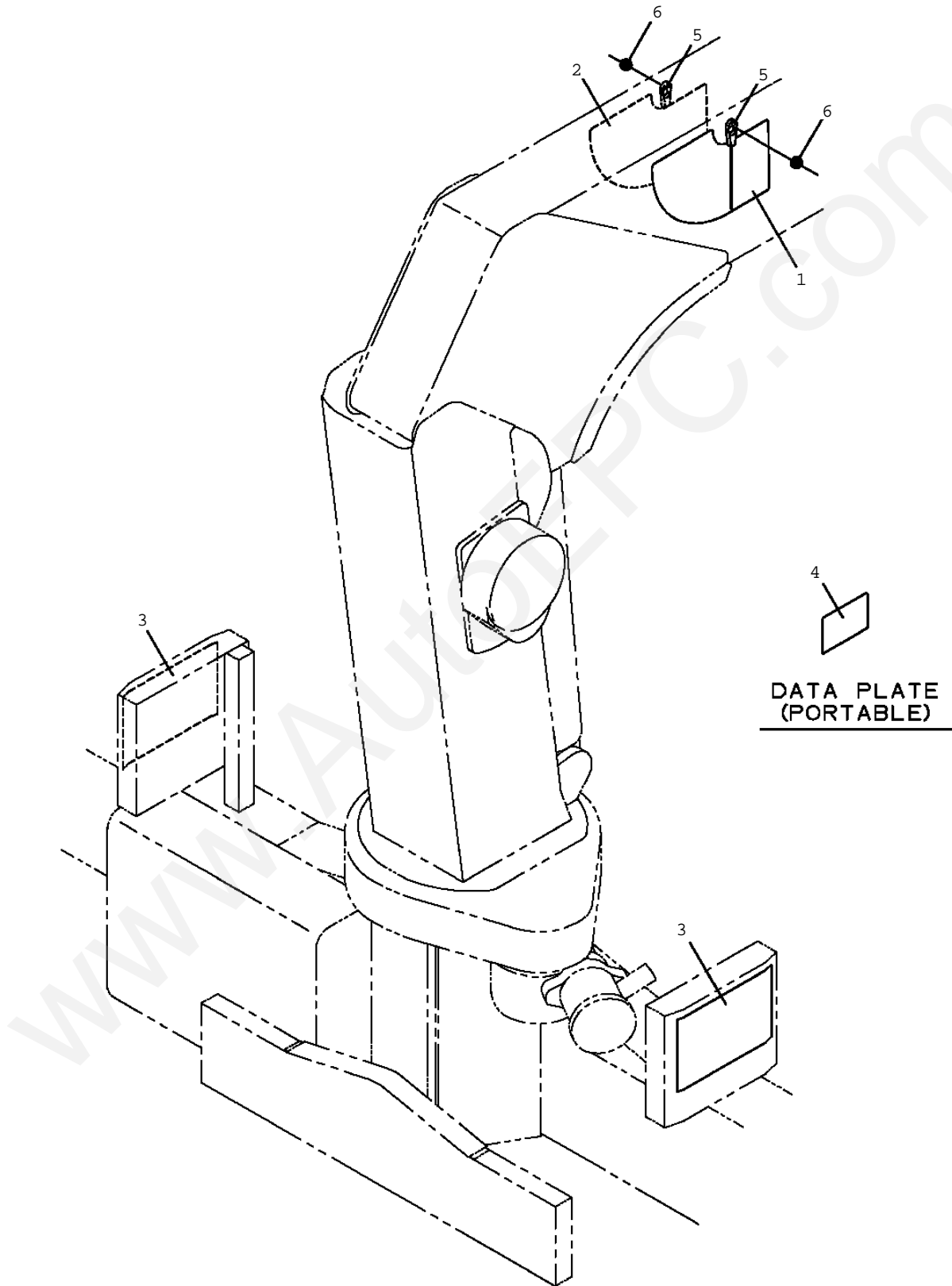
**TM-ZR300 31014010170A FRAME/SL, MANUAL, HOOK-IN**

Pos No.	Parts No	Parts Name	Qty	Unit	Technical Data	Serial No (Start)
1	31398320100	PLATE, CAUTION	2			
2	31398320200	PLATE, CAUTION	1			
3	31398320300	PLATE, CAUTION	2			
4	31398320400	PLATE, CAUTION	1			
5	31393180100	REFLECTOR (RED)	2			
6	31611300500	PLATE, NAME (WHITE)	4			
7	37002213970	PLATE, NAME (MARKING)	2			

www.AutoEPC.com



TM-ZR300 31014010170A FRAME/SL, MANUAL, HOOK-IN  
PO1070684-00 PERFORMANCE DATA (ZR303SL/A)

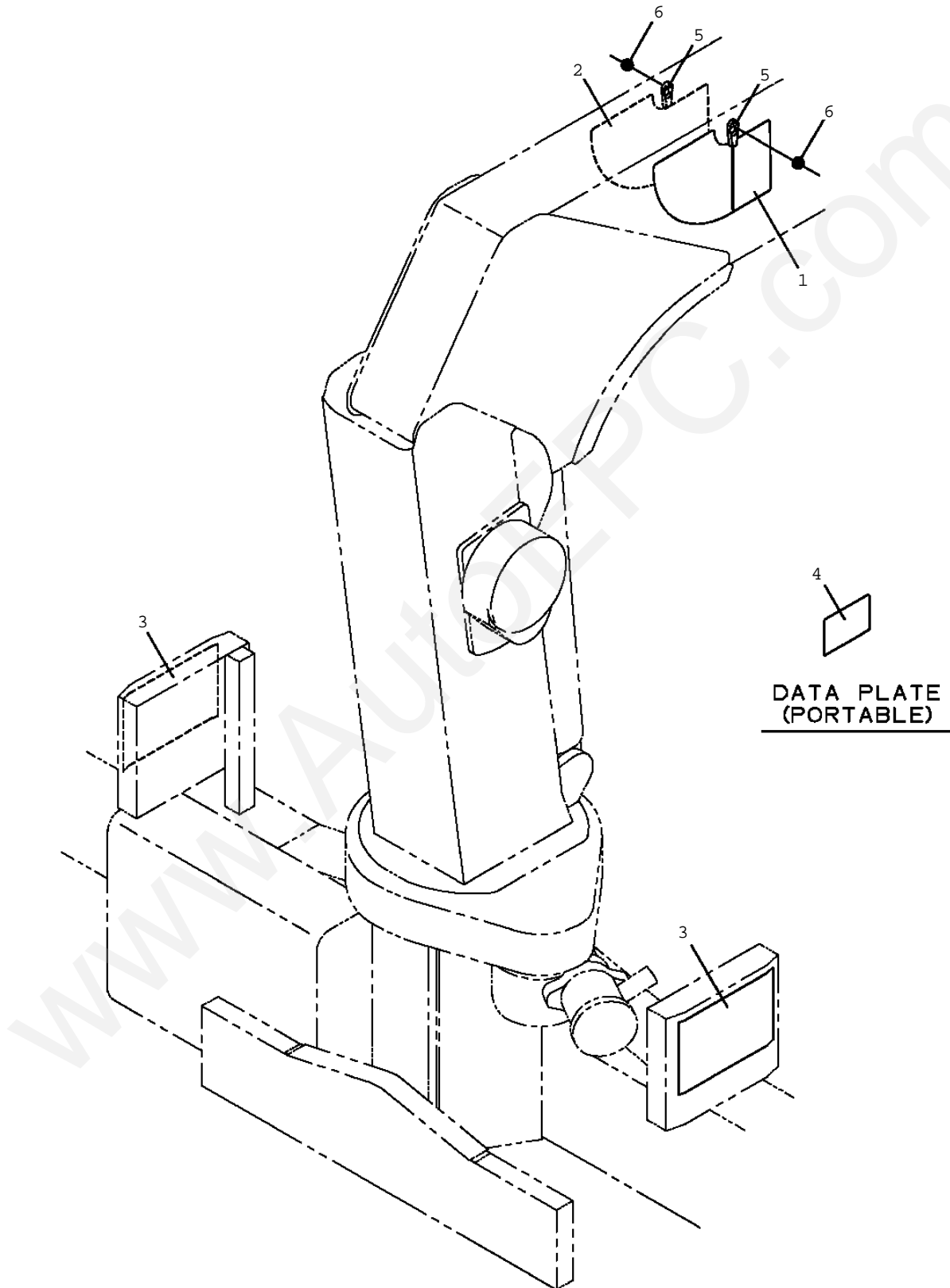


**TM-ZR300 31014010170A FRAME/SL, MANUAL, HOOK-IN**

Pos No.	Parts No	Parts Name	Qty	Unit	Technical Data	Serial No (Start)	Serial No
1	31490321100	PLATE, NAME	1				
2	31490321200	PLATE, NAME	1				
3	31495841300	PLATE, NAME	2				
4	31495841400	PLATE, NAME	1				
5	31392140130	INDICATOR	2				
6	90190000060	BOLT	2		M10X16		

www.AutoEPC.com

TM-ZR300 31014010170A FRAME/SL, MANUAL, HOOK-IN  
PO1070685-00 PERFORMANCE DATA (ZR303SL/B)

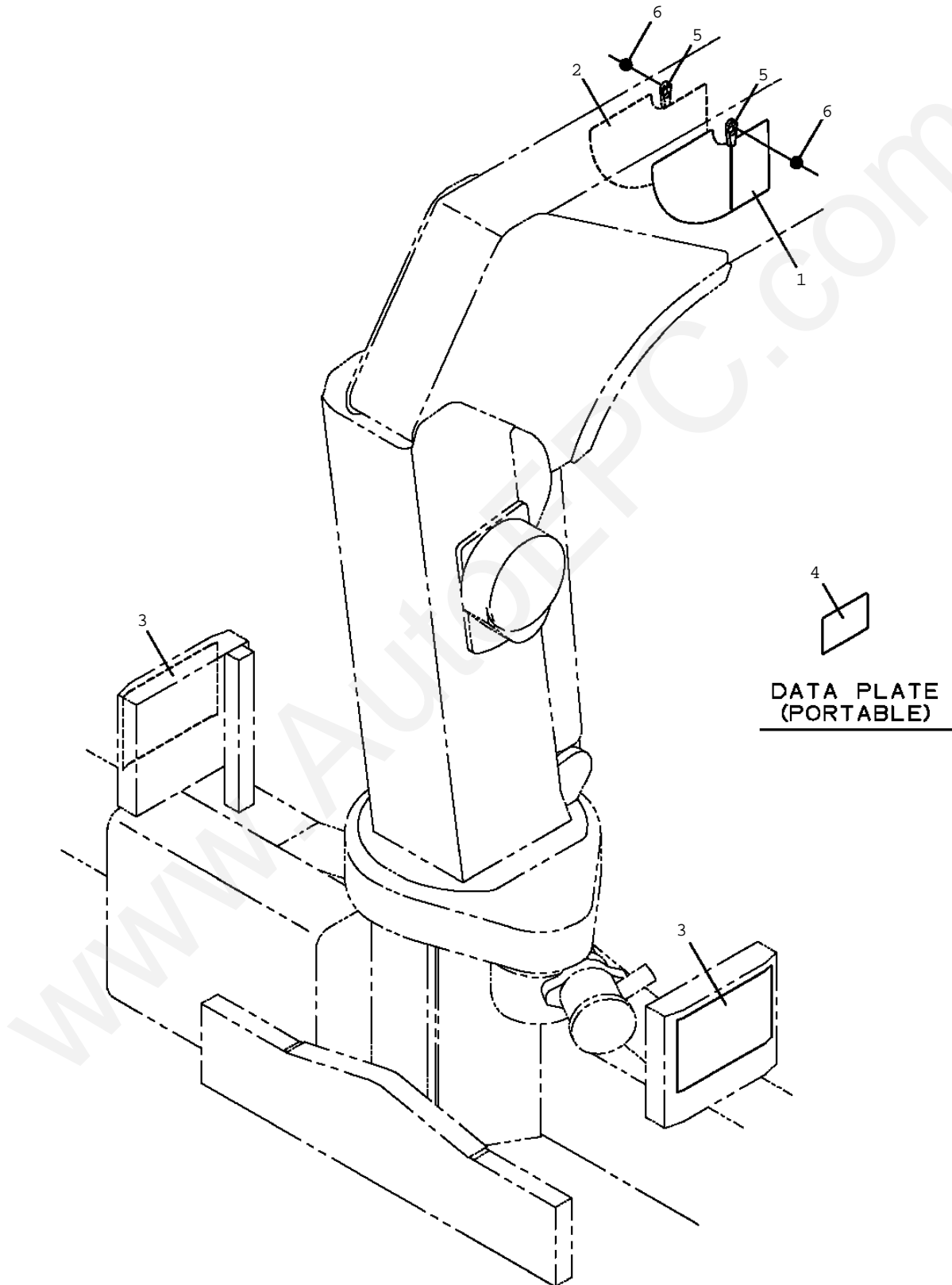


**TM-ZR300 31014010170A FRAME/SL, MANUAL, HOOK-IN**

Pos No.	Parts No	Parts Name	Qty	Unit	Technical Data	Serial No (Start)	Serial No
1	31490322100	PLATE, NAME	1				
2	31490322200	PLATE, NAME	1				
3	31495842300	PLATE, NAME	2				
4	31495842400	PLATE, NAME	1				
5	31392140130	INDICATOR	2				
6	90190000060	BOLT	2		M10X16		

www.AutoEPC.com

TM-ZR300 31014010170A FRAME/SL, MANUAL, HOOK-IN  
PO1070686-00 PERFORMANCE DATA (ZR303SL/C)

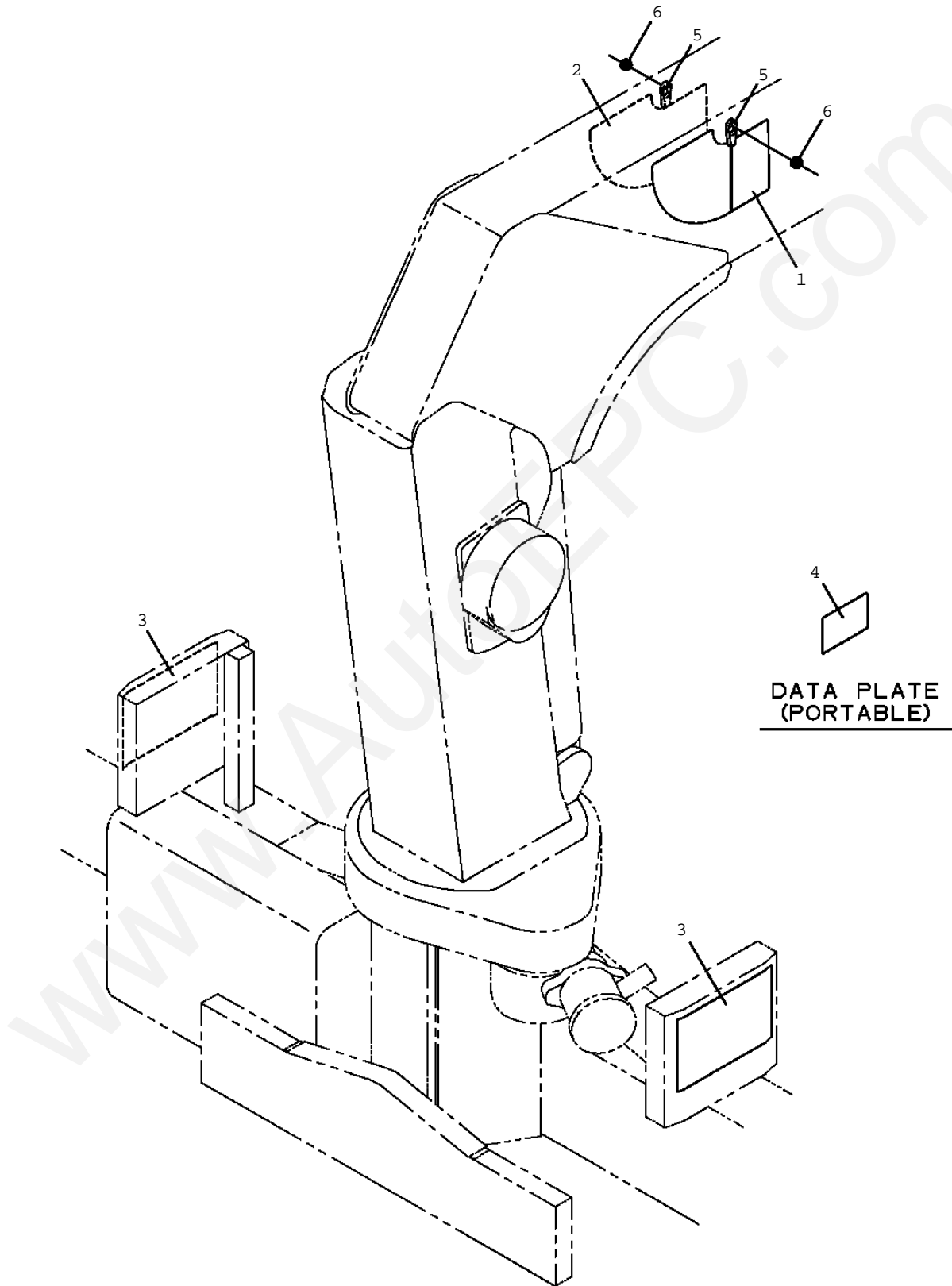


**TM-ZR300 31014010170A FRAME/SL, MANUAL, HOOK-IN**

Pos No.	Parts No	Parts Name	Qty	Unit	Technical Data	Serial No (Start)	Serial No
1	31490323100	PLATE, NAME	1				
2	31490323200	PLATE, NAME	1				
3	31495843300	PLATE, NAME	2				
4	31495843400	PLATE, NAME	1				
5	31392140130	INDICATOR	2				
6	90190000060	BOLT	2		M10X16		

www.AutoEPC.com

TM-ZR300 31014010170A FRAME/SL, MANUAL, HOOK-IN  
PO1070687-00 PERFORMANCE DATA (ZR304SL/A)



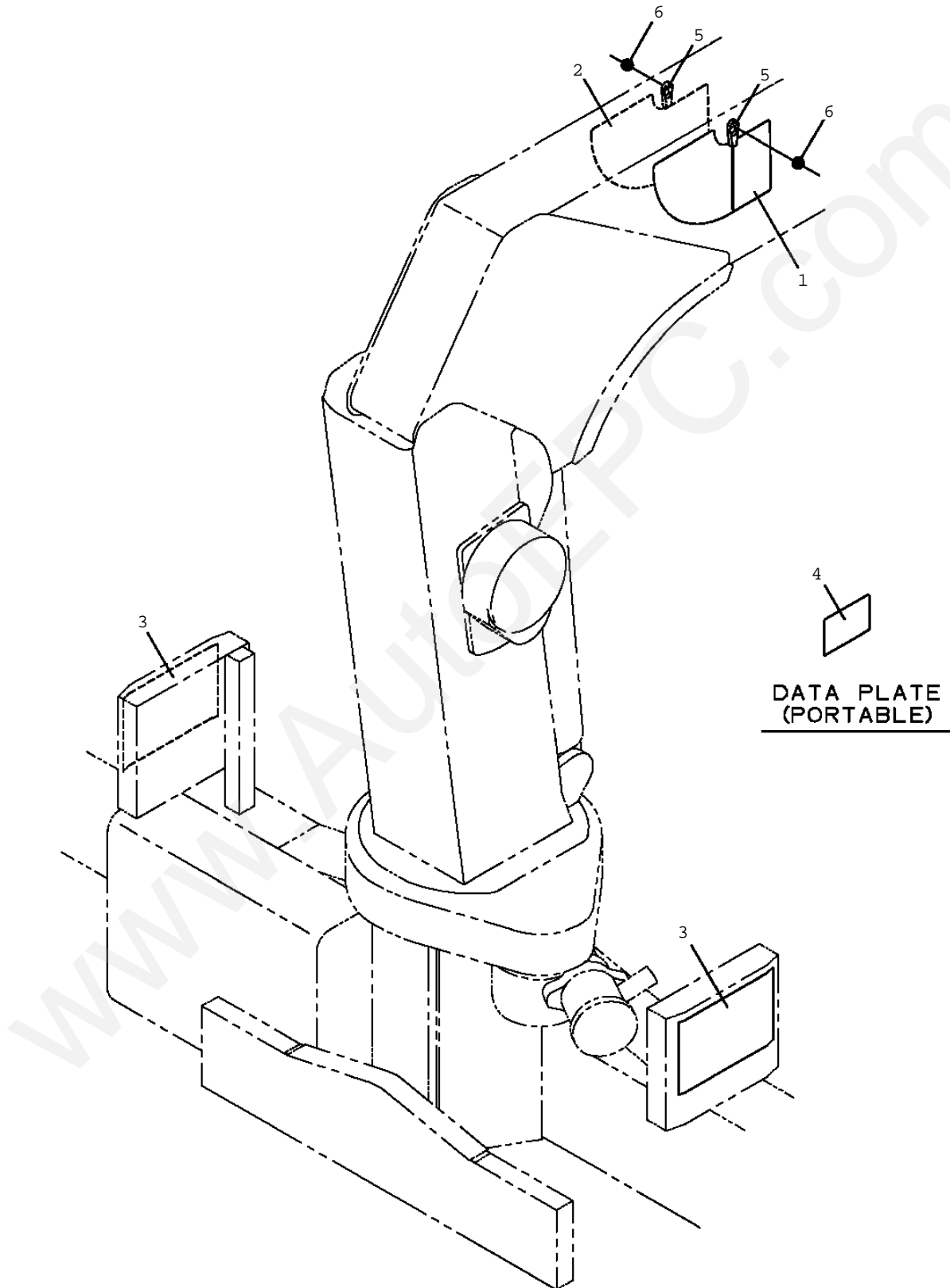
**TM-ZR300 31014010170A FRAME/SL, MANUAL, HOOK-IN**

Pos No.	Parts No	Parts Name	Qty	Unit	Technical Data	Serial No (Start)	Serial No
1	31490331100	PLATE, NAME	1				
2	31490331200	PLATE, NAME	1				
3	31495851300	PLATE, NAME	2				
4	31495851400	PLATE, NAME	1				
5	31392140130	INDICATOR	2				
6	90190000060	BOLT	2		M10X16		

www.AutoEPC.com



TM-ZR300 31014010170A FRAME/SL, MANUAL, HOOK-IN  
PO1070688-00 PERFORMANCE DATA (ZR304SL/B)

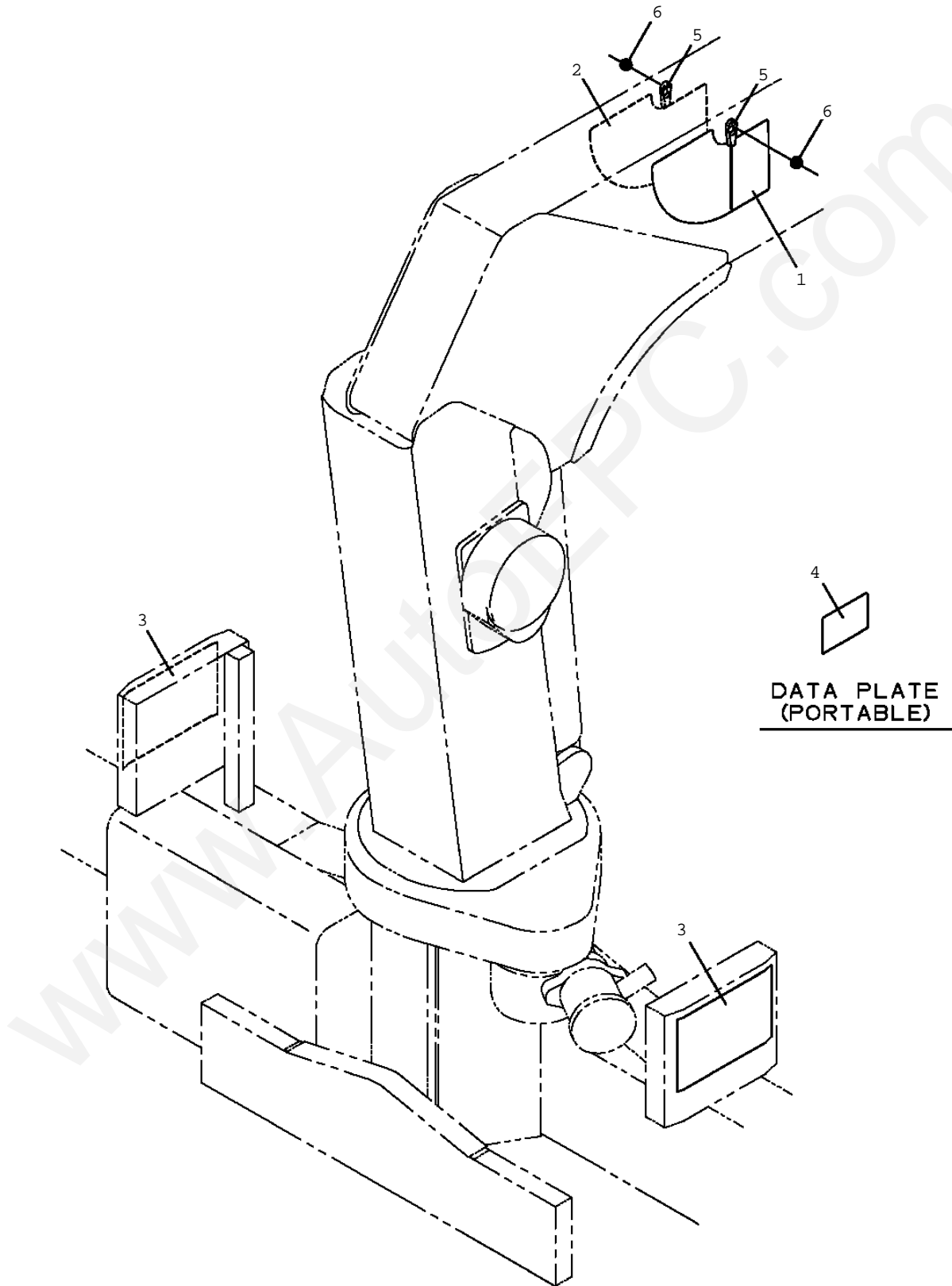


**TM-ZR300 31014010170A FRAME/SL, MANUAL, HOOK-IN**

Pos No.	Parts No	Parts Name	Qty	Unit	Technical Data	Serial No (Start)	Serial No
1	31490332100	PLATE, NAME	1				
2	31490332200	PLATE, NAME	1				
3	31495852300	PLATE, NAME	2				
4	31495852400	PLATE, NAME	1				
5	31392140130	INDICATOR	2				
6	90190000060	BOLT	2		M10X16		

www.AutoEPC.com

TM-ZR300 31014010170A FRAME/SL, MANUAL, HOOK-IN  
PO1070689-00 PERFORMANCE DATA (ZR304SL/C)



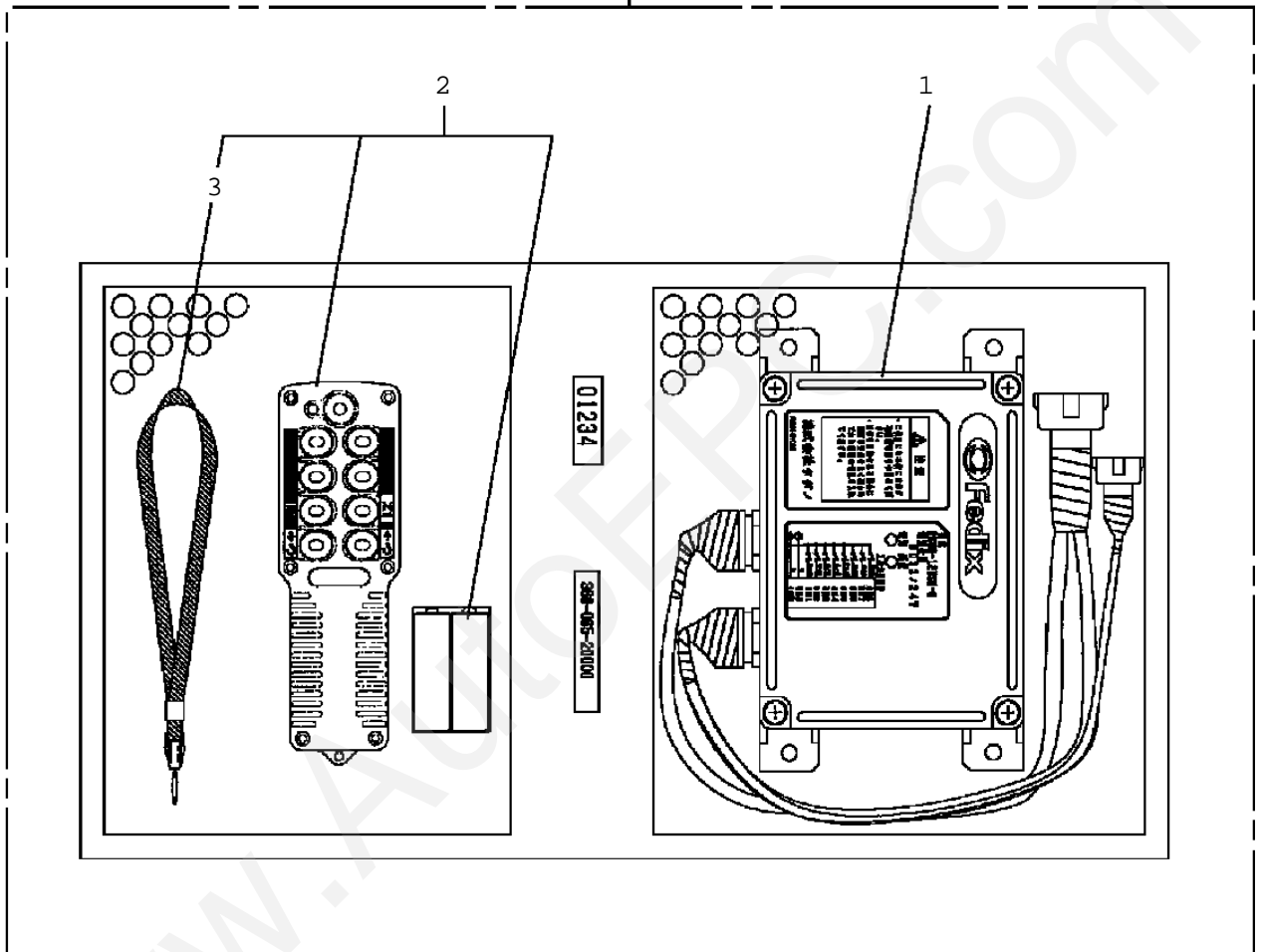
**TM-ZR300 31014010170A FRAME/SL, MANUAL, HOOK-IN**

Pos No.	Parts No	Parts Name	Qty	Unit	Technical Data	Serial No (Start)	Serial No
1	31490333100	PLATE, NAME	1				
2	31490333200	PLATE, NAME	1				
3	31495853300	PLATE, NAME	2				
4	31495853400	PLATE, NAME	1				
5	31392140130	INDICATOR	2				
6	90190000060	BOLT	2		M10X16		

www.AutoEPC.com

TM-ZR300 31014010170A FRAME/SL, MANUAL, HOOK-IN  
PP5150011-00 PARTS ASSY, RADIO CONTROLLER (8CH)

100

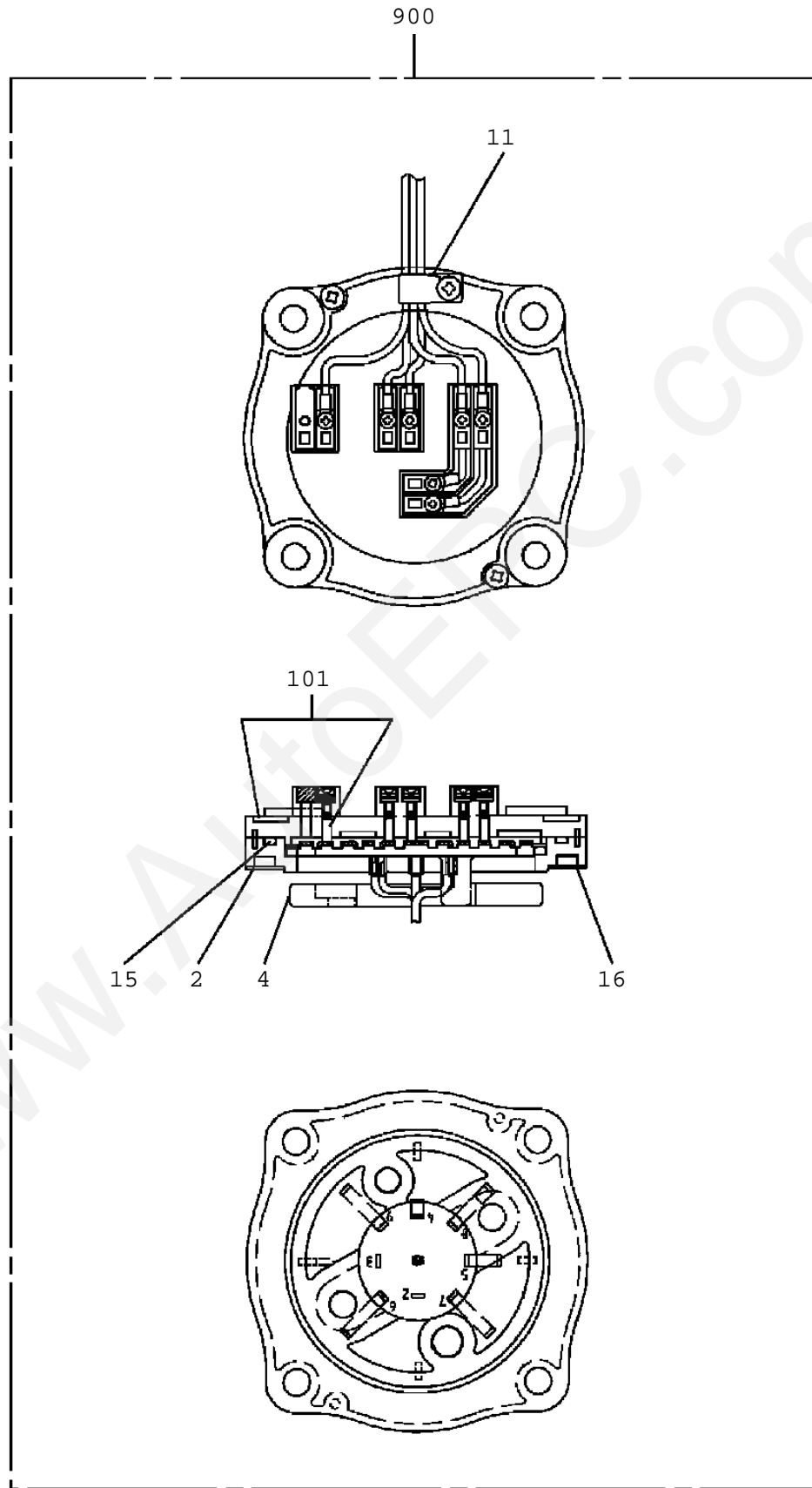


**TM-ZR300 31014010170A FRAME/SL,MANUAL,HOOK-IN**

Pos No.	Parts No	Parts Name	Qty	Unit	Technical Data	Serial
1	36806525010	CONTROL UNIT	1			
2	36806525020	BOX,OPERATION	1			
3	36804995010	STRAP	1			
100	36806520000	PARTS ASSY,RADIO CONTROLLER (8CH)	1			

www.AutoEPC.com

TM-ZR300 31014010170A FRAME/SL, MANUAL, HOOK-IN  
PR5130002-00 RING ASSY, SLIP



**TM-ZR300 31014010170A FRAME/SL,MANUAL,HOOK-IN**

Pos No.	Parts No	Parts Name	Qty	Unit	Technical Data	Serial N
2	31631807510	CASE (RING)	1			
4	31631807520	SPACER	1			
11	31631807530	CLAMP (CABLE)	1			
15	31631807540	O-RING	1			
16	31631807550	PACKING	1			
101	31631807560	HOLDER ASSY,BRUSH (WITH BRUSH)	1			
900	31631803000	RING ASSY,SLIP	1			

www.AutoEPC.com



TM-ZR300 31014010170A FRAME/SL,MANUAL,HOOK-IN  
PV1010092-00 REMOTE CONTROL (F,KIT/RCS-FC1)

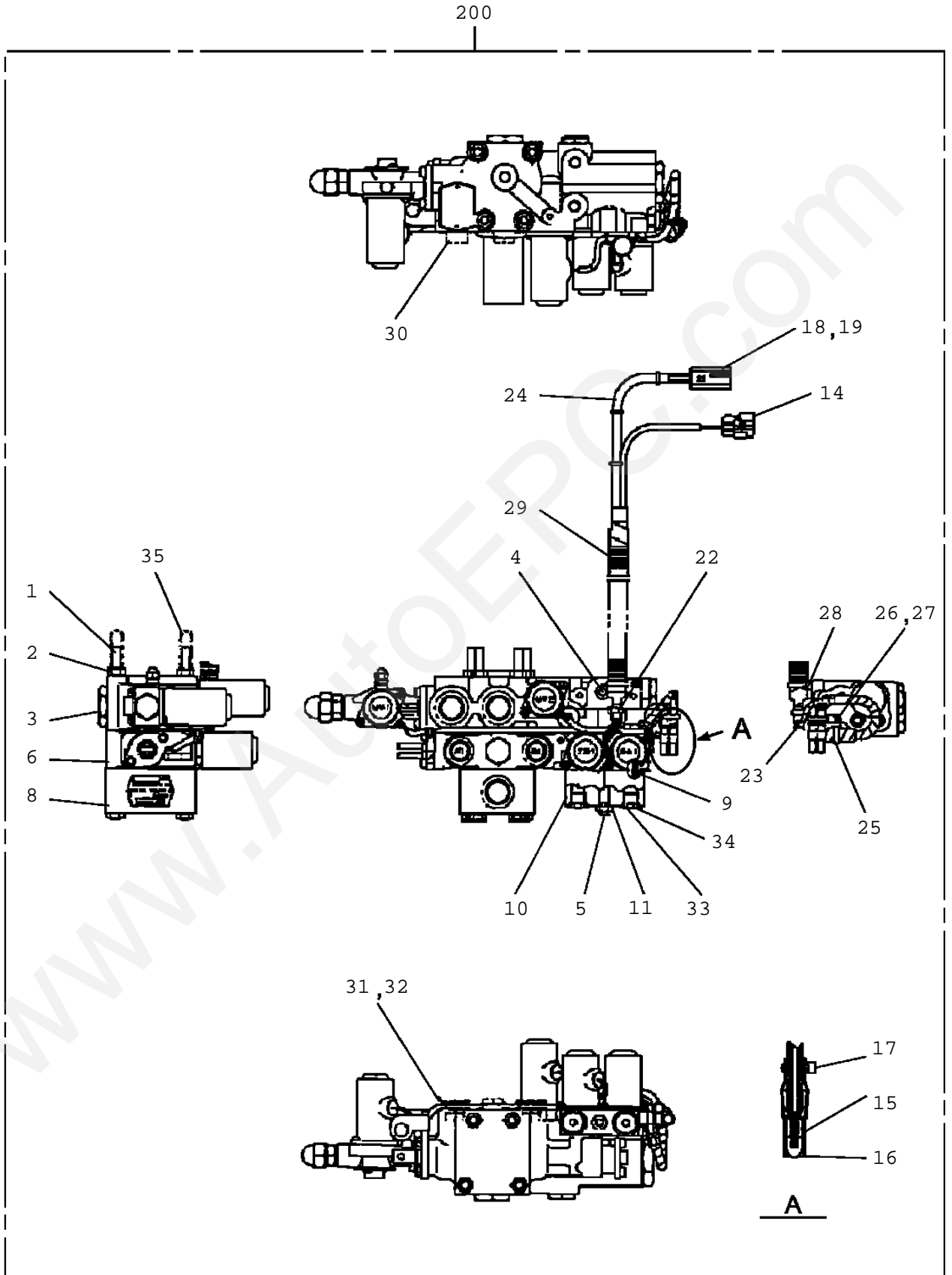
指示番号 KEY NO.	リモート コントロール (Fカ* タ,キット/RCS-FC1) REMOTE CONTROL (F,KIT/RCS-FC1)
12	ハイセンASSY ELEC.ASSY
11	スイッチ ホ* ックス SWITCH BOX
12	プ* レートASSY,ネーム PLATE ASSY,NAME

**TM-ZR300 31014010170A FRAME/SL,MANUAL,HOOK-IN**

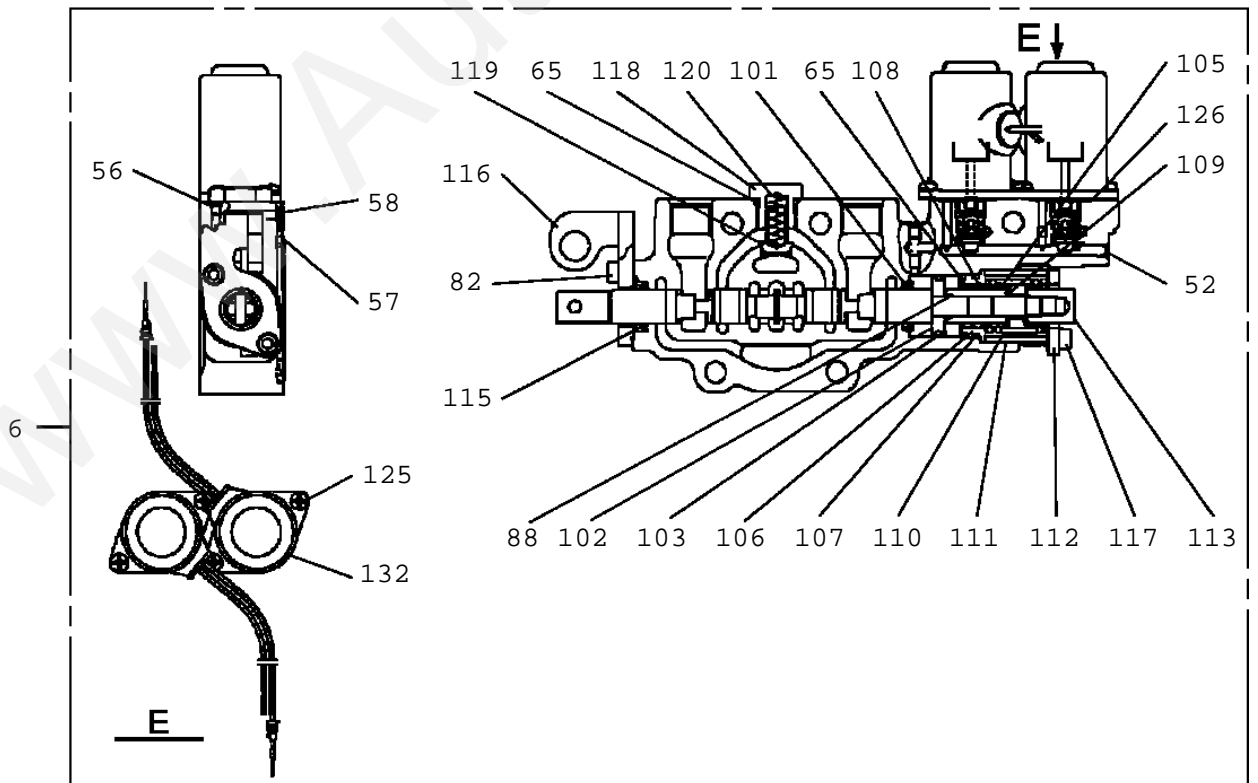
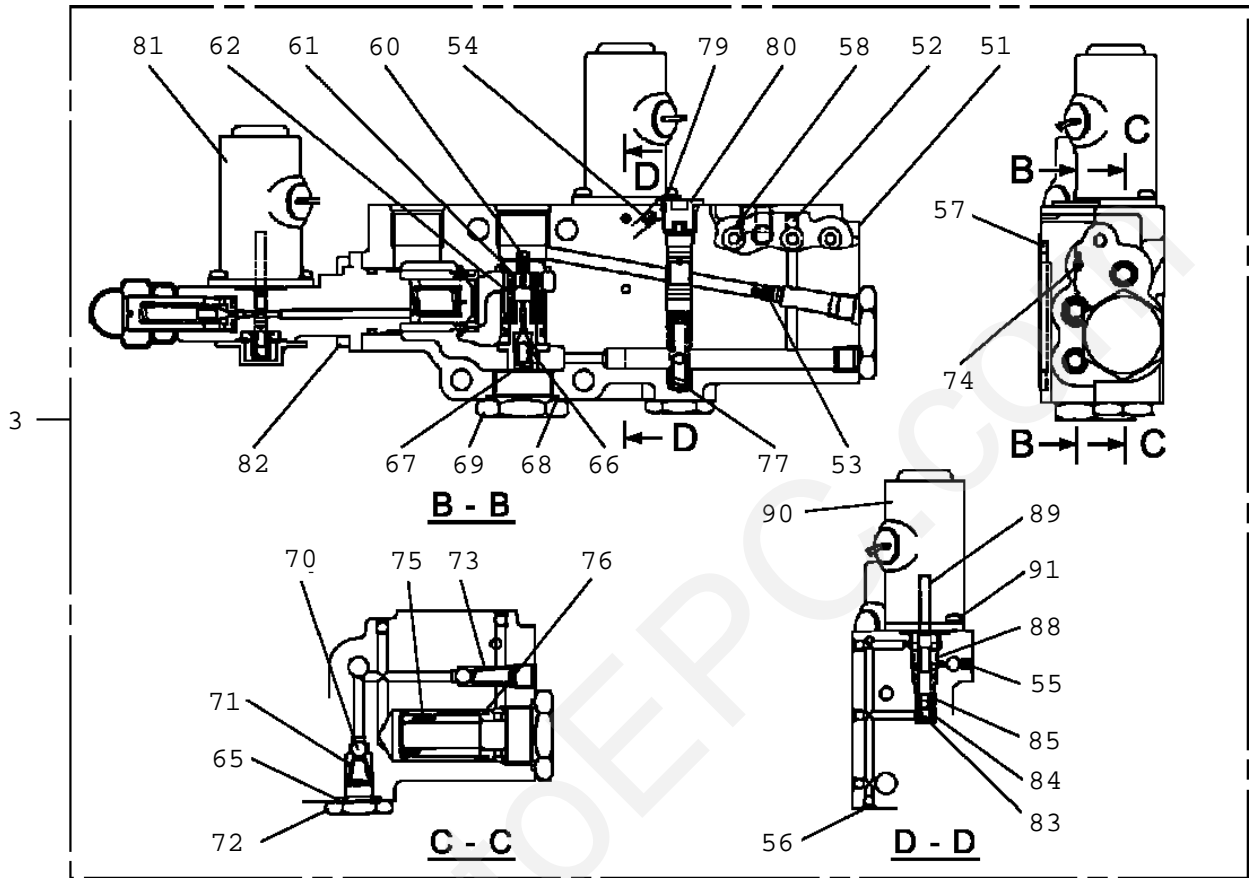
Pos No.	Parts No	Parts Name	Qty	Unit	Technical Data	Serial No (Start)	Se
2	(***** )	ELEC.ASSY	1				
11	36805003000	SWITCH BOX	1				
12	(***** )	PLATE ASSY,NAME	1				

www.AutoEPC.com

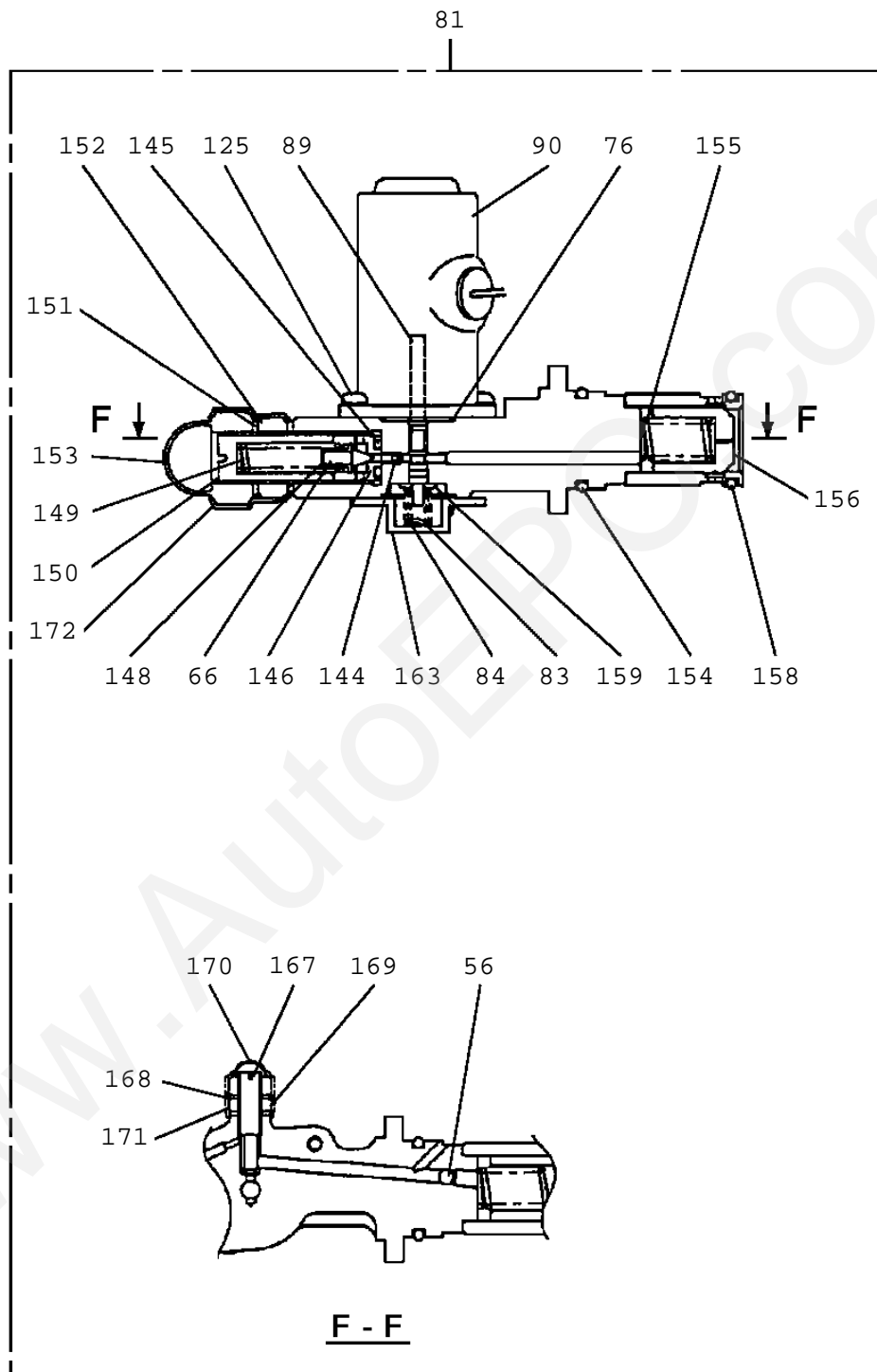
TM-ZR300 31014010170A FRAME/SL, MANUAL, HOOK-IN  
PV1020158-03 VALVE, REMOTE CONTROL



TM-ZR300 31014010170A FRAME/SL, MANUAL, HOOK-IN  
 PV1020158-03 VALVE, REMOTE CONTROL



TM-ZR300 31014010170A FRAME/SL, MANUAL, HOOK-IN  
PV1020158-03 VALVE, REMOTE CONTROL



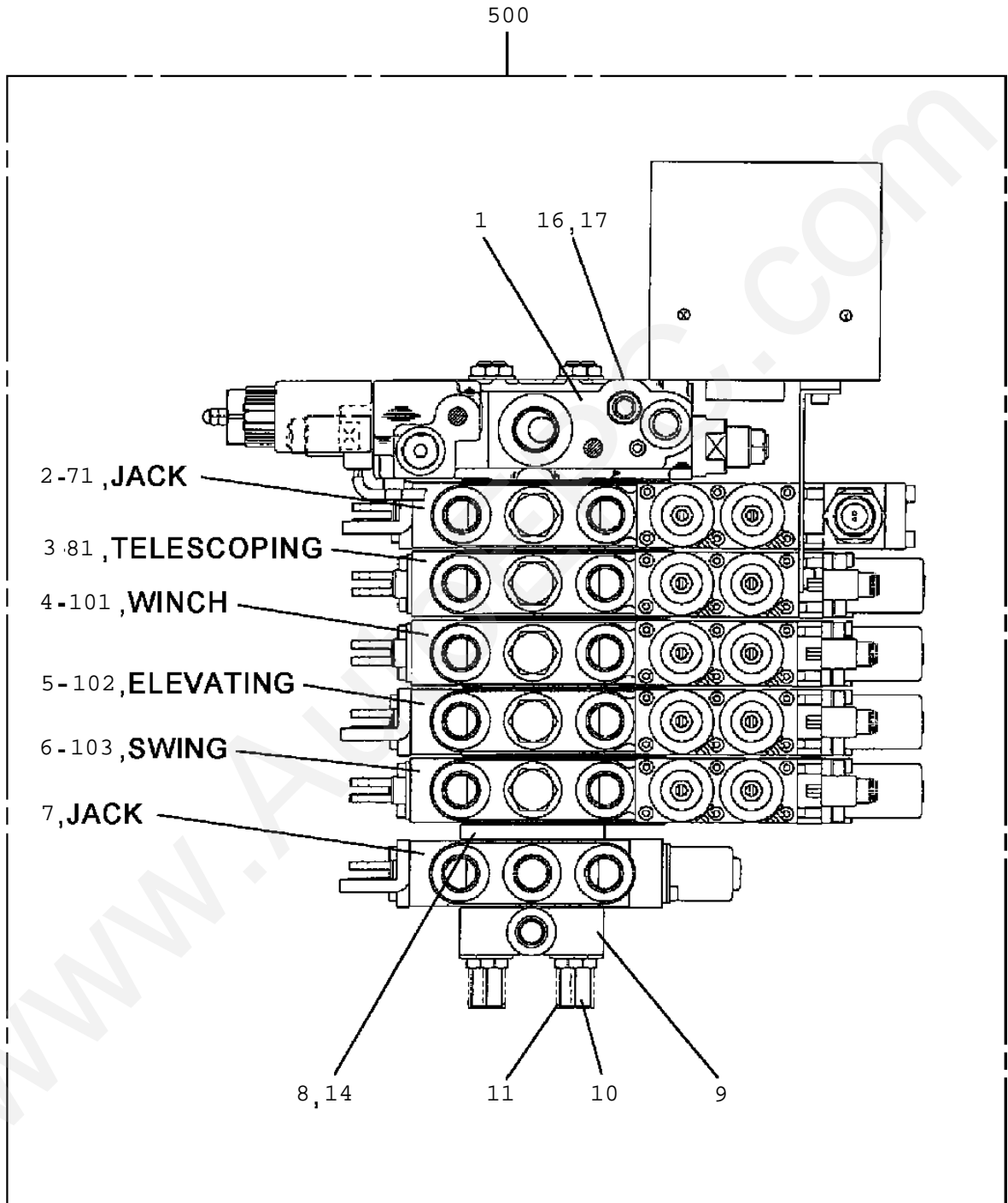
**TM-ZR300 31014010170A FRAME/SL, MANUAL, HOOK-IN**

Pos No.	Parts No	Parts Name	Qty	Unit	Technical Data	Serial No (Start)
1	36646225020	BOLT, TIE	4			
2	90201200800	NUT	4		M8	
3	36647445010	COVER ASSY (FRONT)	1			
4	80316030040	PLUG	1		PT1/4	
5	36647445020	BOLT, TIE	1			
6	36647055030	VALVE, CONTROL	1			
8	36645695040	COVER (BOTTOM)	1			
9	80720104012	PIN, SPRING	1		4X12	
10	36645495080	JOINT	1			
11	90203200800	NUT	5		M8	
14	36647055060	HARNES ASSY (GND)	1			
15	36644015120	CONNECTOR	2			
16	36644015130	TUBE	2			
17	11615111410	BAND	9			
18	82114203040	CONNECTOR (CAP)	1			
19	82121502040	PLATE	1			
22	36636085040	BAND	2			
23	36646875090	TUBE	1		10B	
24	36644015240	TUBE	2		7B	
25	36062635030	FASTENER	3			
26	90303070401	WASHER, PLAIN	2		4	
27	80172104016	SCREW, MACHINE	1		M4X16	
28	80172104010	SCREW, MACHINE	1		M4X10	
29	36062635030	FASTENER	1			
30	36645615090	PROTECTOR	3			
31	36645615200	PACKING	2			
32	36645615190	PLUG (DUST)	2			
33	91001101100	O-RING	2		1A P11	
34	36644115130	PLUG	2			
35	36640755070	CAP	4			
51	36646515020	COVER (FRONT)	1			
52	36648375020	BALL, STEEL	4		3/16	
53	36646875110	COCK	1			
54	36660495110	PLUG	1			
55	36647055090	PLUG	1			
56	36648375030	BALL, STEEL	5		5/32	
57	91002905500	O-RING	2		1B G55	
58	91001100600	O-RING	8		1A P6	
60	36647055100	SEAT	1			
61	36647055110	SPRING (A)	1			
62	36647055120	SPRING (B)	1			
65	91001101400	O-RING	5		1A P14	
66	36647055130	POPPET	2			
67	36647055140	SPRING	1			
68	91001002600	O-RING	2		S26	
69	36640625710	PLUG	2			
70	80560057000	BALL, STEEL	2		1/4	
71	36640625220	SPRING	1			
72	36640625210	CAP	1			
73	36640625260	SPRING	1			
74	80316030020	PLUG	6		PT1/8	
75	36640625240	FILTER	1			
76	91001001800	O-RING	4		S18	
77	36641075260	SPRING	1			
79	91001101100	O-RING	1		1A P11	
80	36647055150	PLUG	1			
81	36646555010	VALVE, RELIEF	1			
82	36645615230	C-BOLT	6		5X12	
83	36635735140	SPRING (B)	2			
84	36635735130	SPRING (A)	2			
85	36647055160	SEAT, SPRING	1			
88	91001000800	O-RING	3		S8	
89	36646865170	ROD, PUSH	2		8	
90	36647055170	SOLENOID ASSY	2			
91	80172104016	SCREW, MACHINE	2		M4X16	
102	36646865190	PISTON	1			
103	91001102000	O-RING	1		1A P20	
105	36646865200	SPOOL (SUB)	1			
106	36648365110	FLANGE	1			
107	91001002240	O-RING	1		S22.4	
108	91650001400	SCRAPER	1			
109	36645495210	SEAT, SPRING (RETURN)	2			
110	36645845060	SPRING (RETURN)	1			
111	36646865210	SPACER	1			

**TM-ZR300 31014010170A FRAME/SL, MANUAL, HOOK-IN**

Pos No.	Parts No	Parts Name	Qty	Unit	Technical Data	Serial No (Start)
112	36640625550	PLATE (D)	1			
113	36633365070	ADAPTER	1			
115	36633365100	SEAL,OIL	1			
116	36645845050	LINK	1			
117	36645615250	C-BOLT	2		M5X25	
118	36633365090	CAP (CHECK VALVE)	1			
119	12635101360	SPOOL	1			
120	12635101190	SPRING	1			
125	80172104010	SCREW,MACHINE	8		M4X10	
126	91001002200	O-RING	2		S22	
132	36647055180	VALVE,SOLENOID (KIT)	2			
144	36646875150	ORIFICE	1		M3	
145	91002800700	O-RING	1		1B P7	
148	36635735160	SEAT,SPRING	1			
149	36635735120	SPRING	1			
150	12635101130	SCREW (ADJUSTING)	1			
151	11629431040	PACKING	2			
152	36646575090	NUT	1			
153	36630195030	NUT,CAP	1			
154	91001102200	O-RING	1		1A P22	
155	12635101110	SPRING (RETURN)	1			
156	12635101300	SPOOL	1			
158	91002802100	O-RING	1		1B P21	
159	36646865160	SEAT,SPRING	1			
163	36646865150	COVER (FOR SOLENOID)	1			
167	36640735130	PLUG	1		M6	
168	36642065070	WASHER,SEAL	2			
169	90203200600	NUT	1		M6	
170	36640735140	NUT,CAP	1		M6	
171	36640625680	TUBE (SEAL)	1			
172	16623320390	TUBE (SEAL)	1			
200	36647440000	VALVE,REMOTE CONTROL	1			

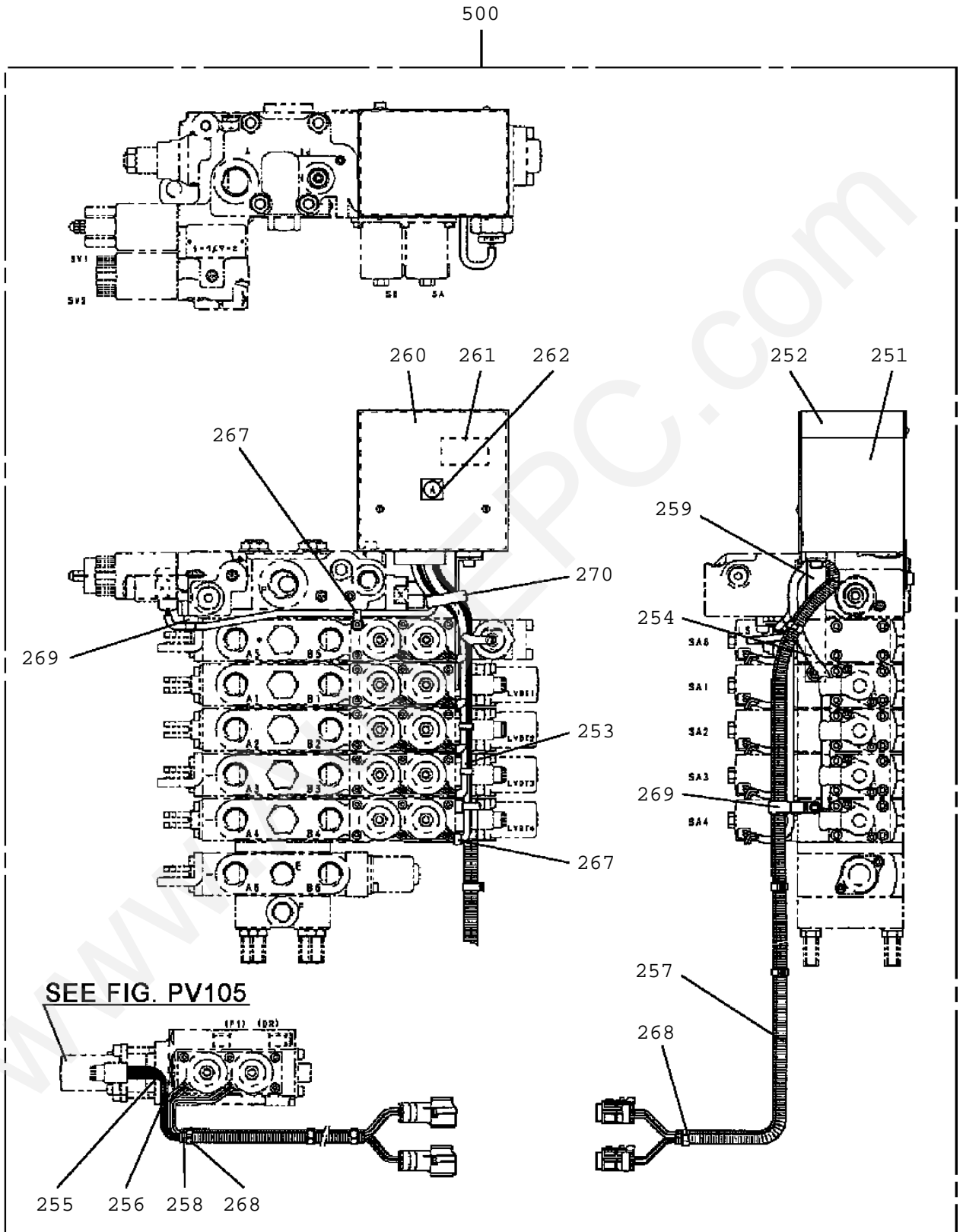
TM-ZR300 31014010170A FRAME/SL, MANUAL, HOOK-IN  
 PV1020231-03 VALVE, REMOTE CONTROL (NACHI)



展開圖有

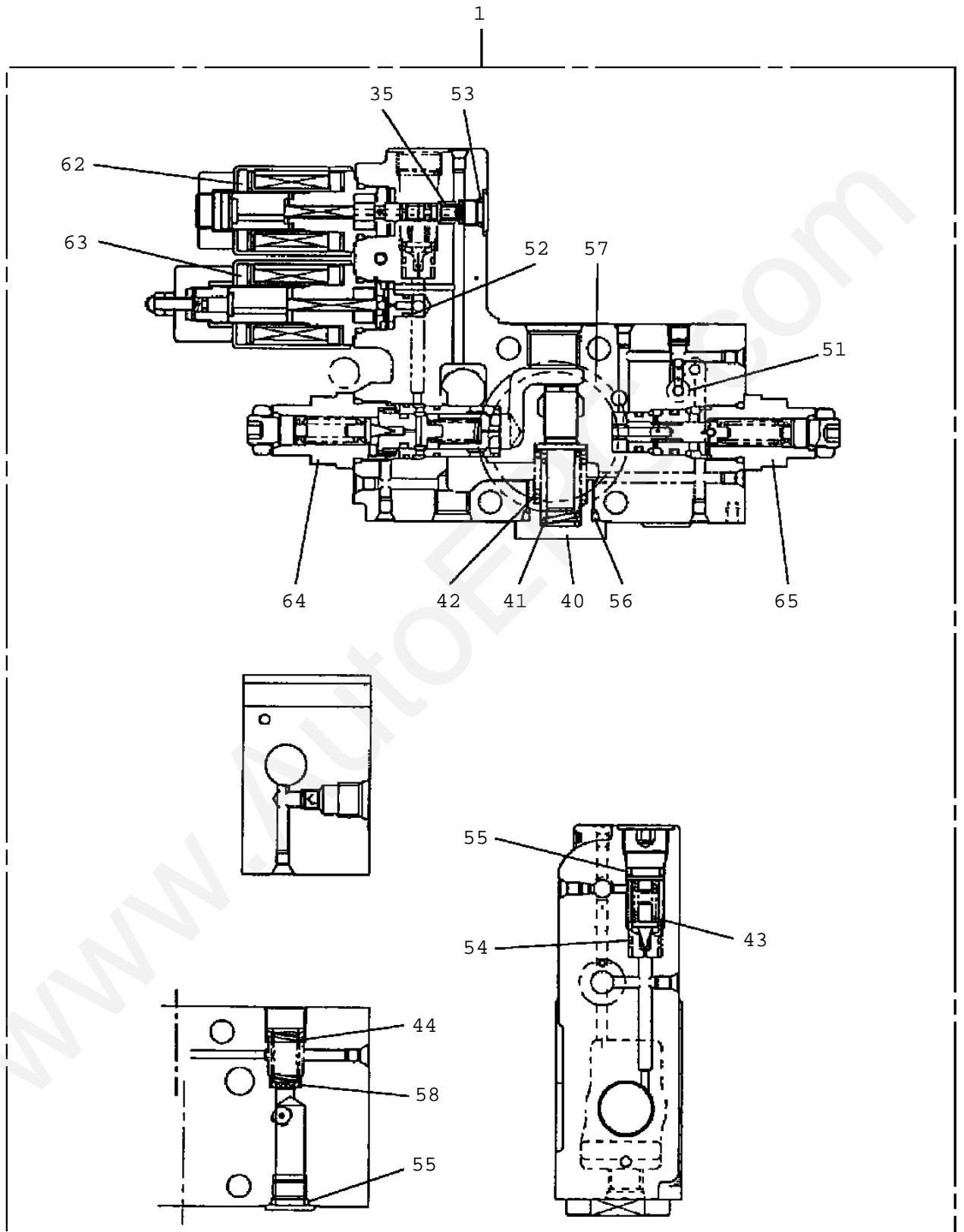
ILLUSTRATED BREAKDOWN NO.1,2,3,4 5 6,7,71,81,101,102,103





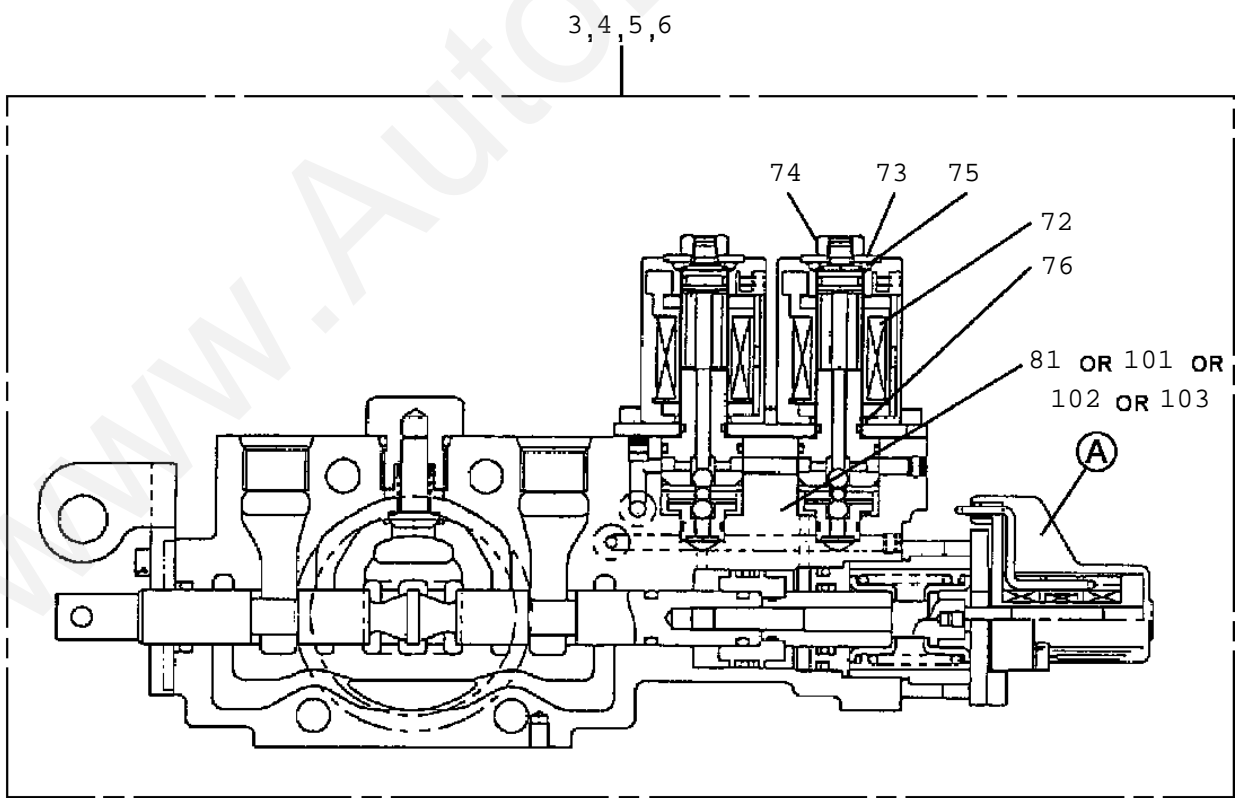
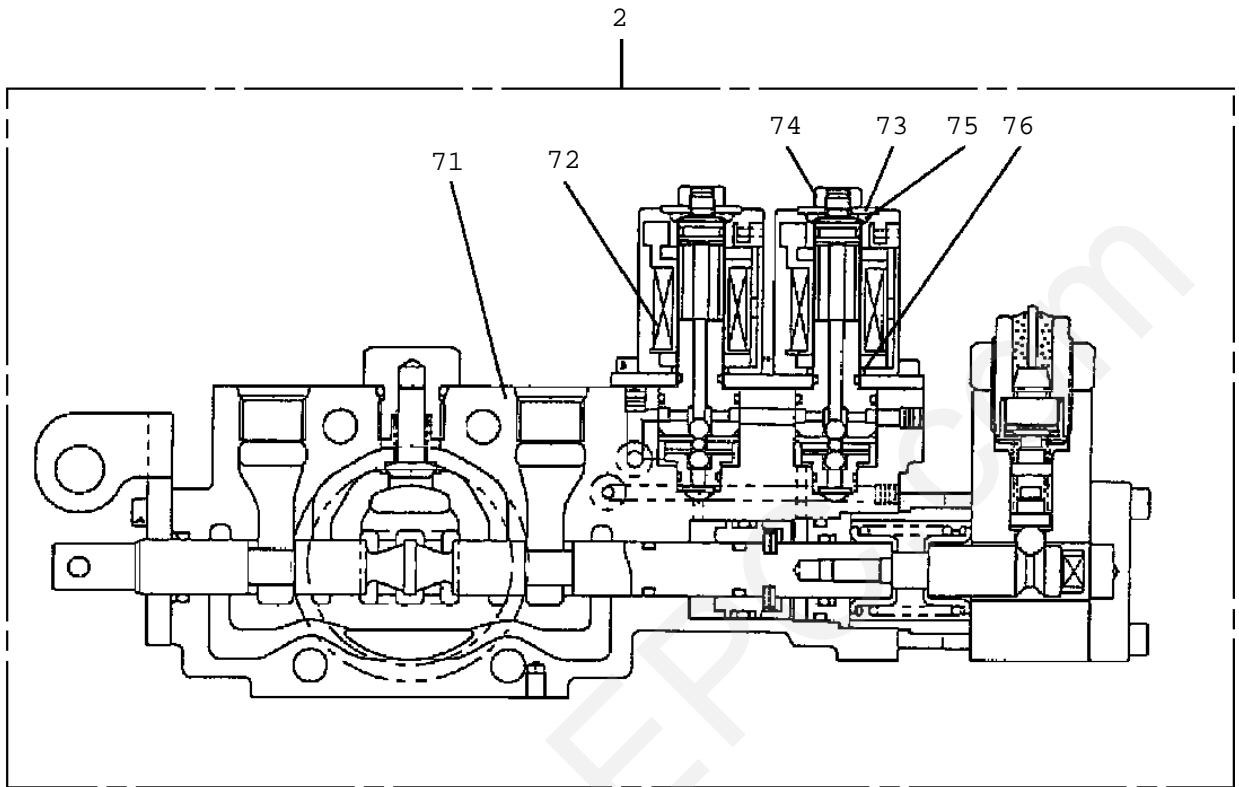
展開図有  
 ILLUSTRATED BREAKDOWN NO 253, 254, 255, 256

TM-ZR300 31014010170A FRAME/SL, MANUAL, HOOK-IN  
PV1020231-03 VALVE, REMOTE CONTROL (NACHI)



展開図有  
ILLUSTRATED BREAKDOWN NO.62,63,64,65

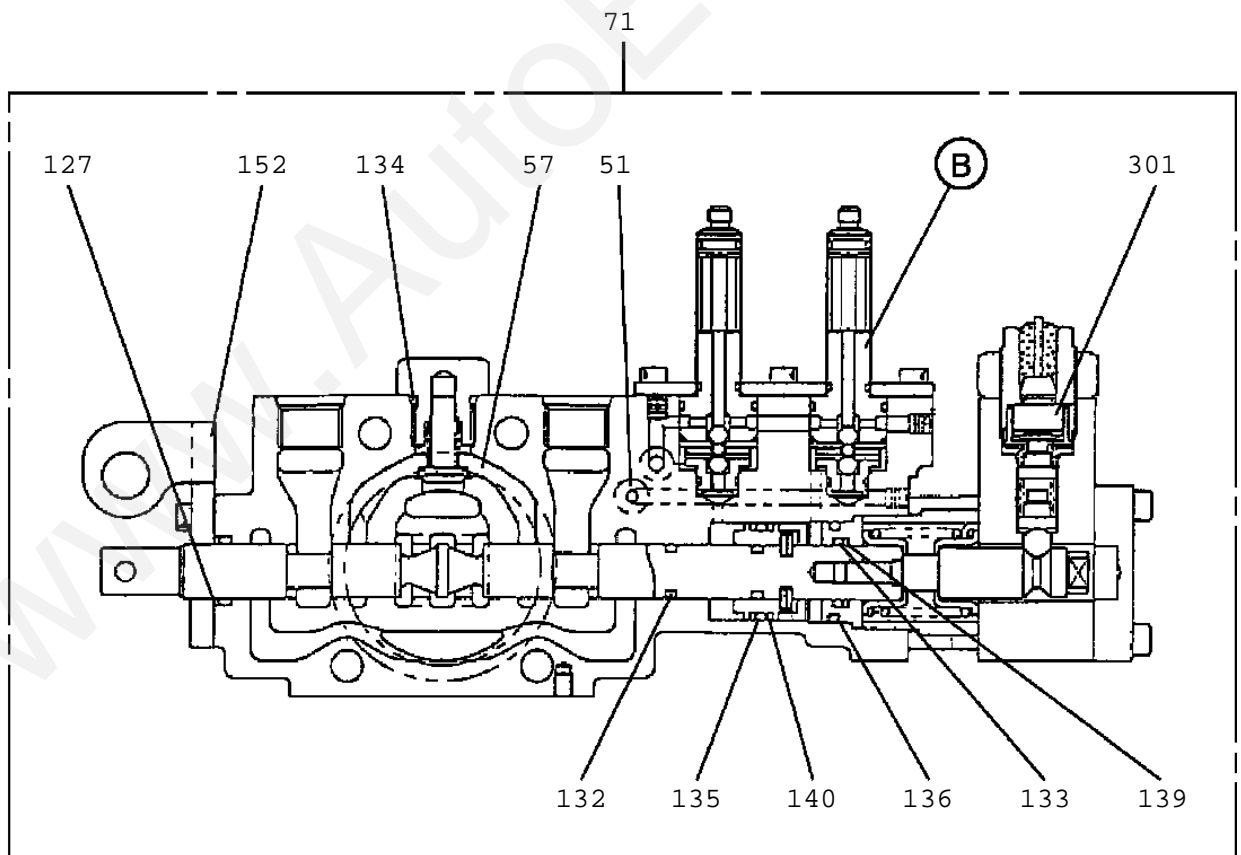
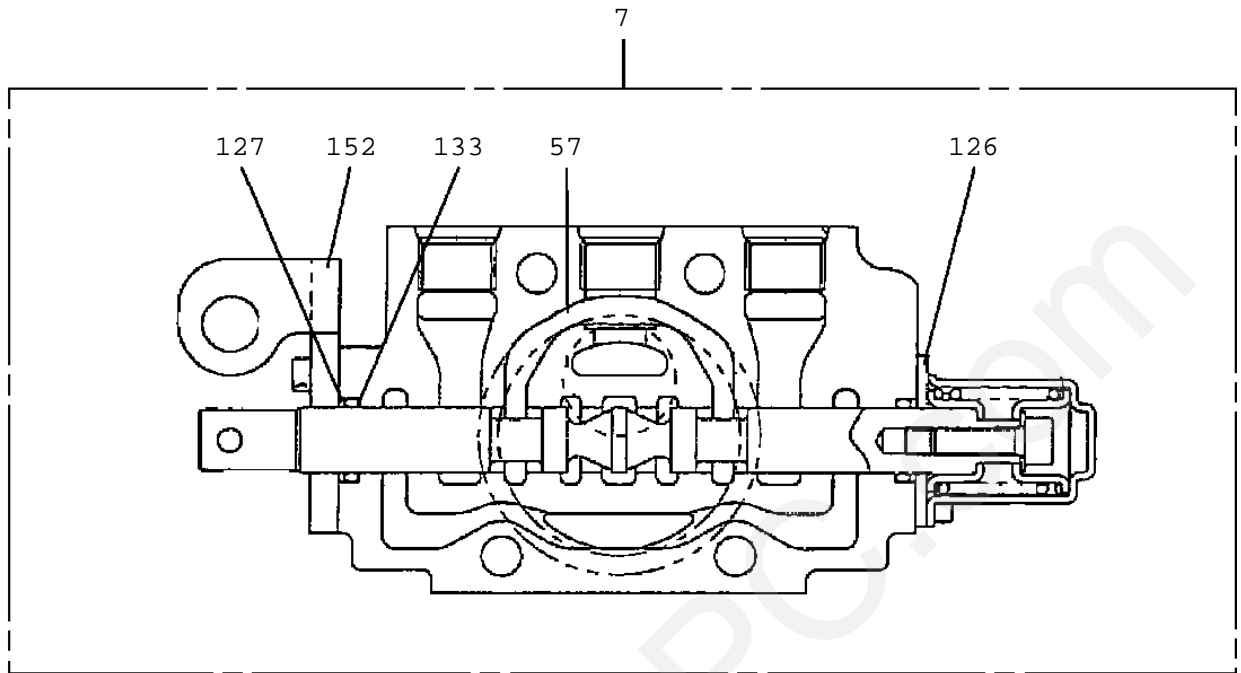
TM-ZR300 31014010170A FRAME/SL, MANUAL, HOOK-IN  
PV1020231-03 VALVE, REMOTE CONTROL (NACHI)



展開図有

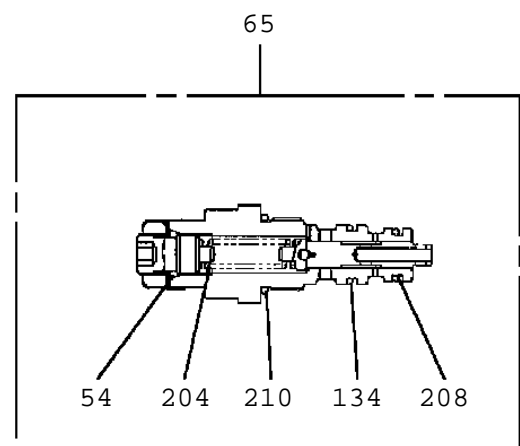
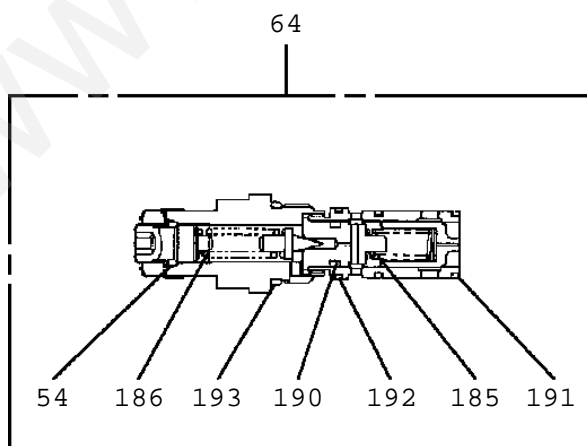
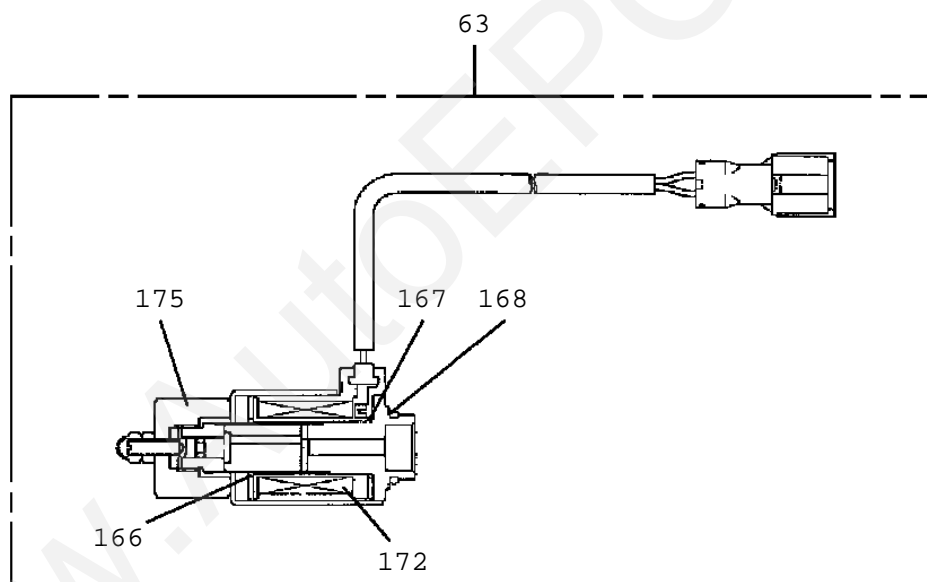
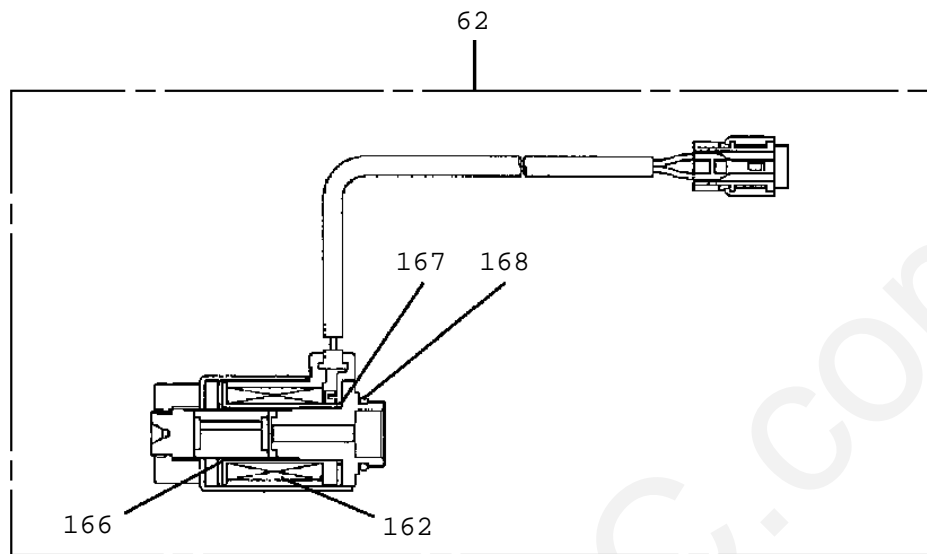
ILLUSTRATED BREAKDOWN NO. 81, 101, 102, 103, (A)

TM-ZR300 31014010170A FRAME/SL, MANUAL, HOOK-IN  
PV1020231-03 VALVE, REMOTE CONTROL (NACHI)



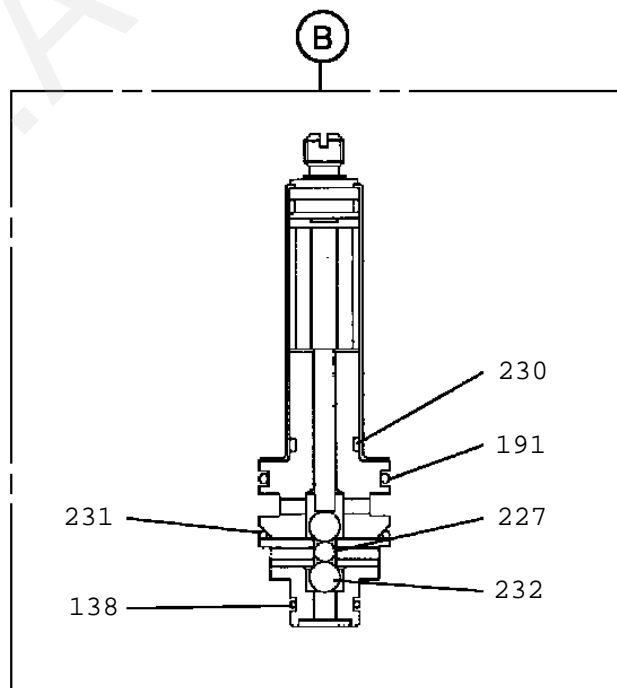
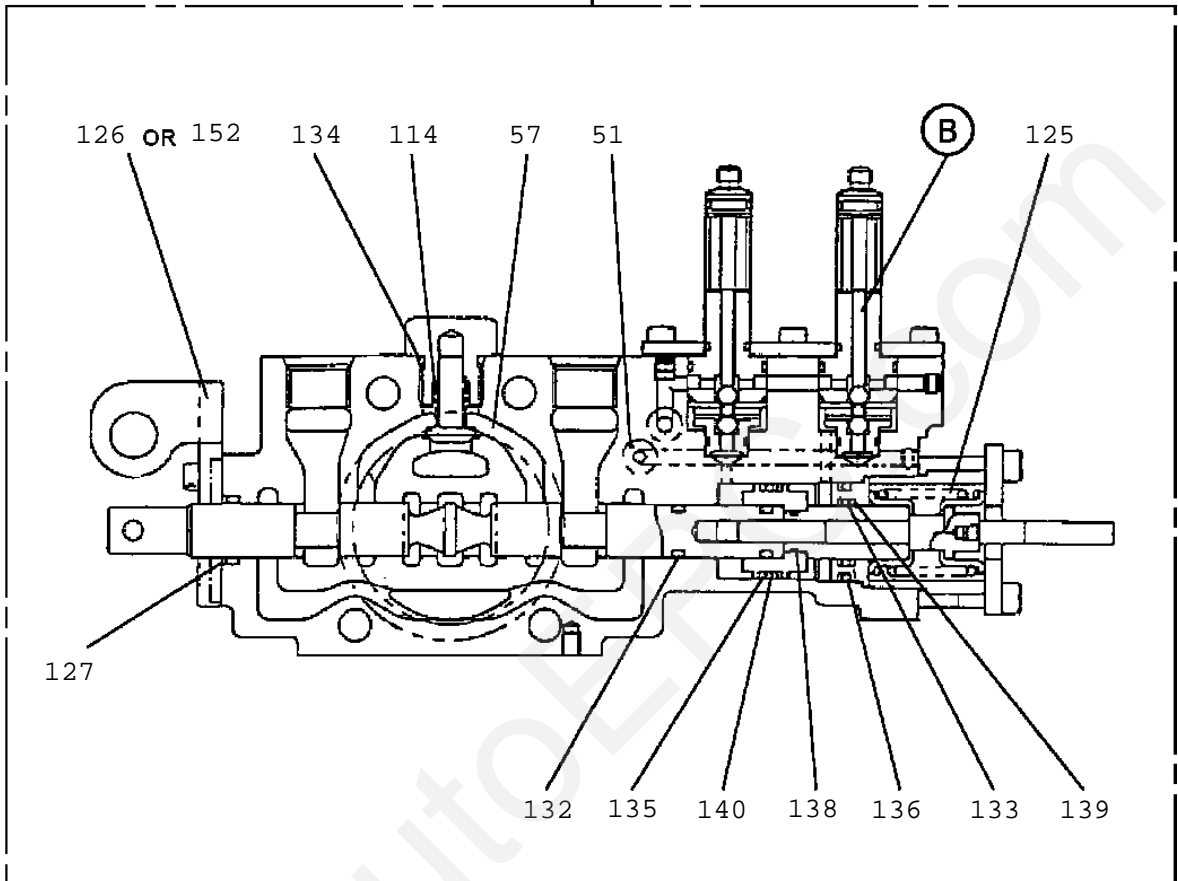
展開図有  
ILLUSTRATED BREAKDOWN NO. (B)

TM-ZR300 31014010170A FRAME/SL, MANUAL, HOOK-IN  
PV1020231-03 VALVE, REMOTE CONTROL (NACHI)



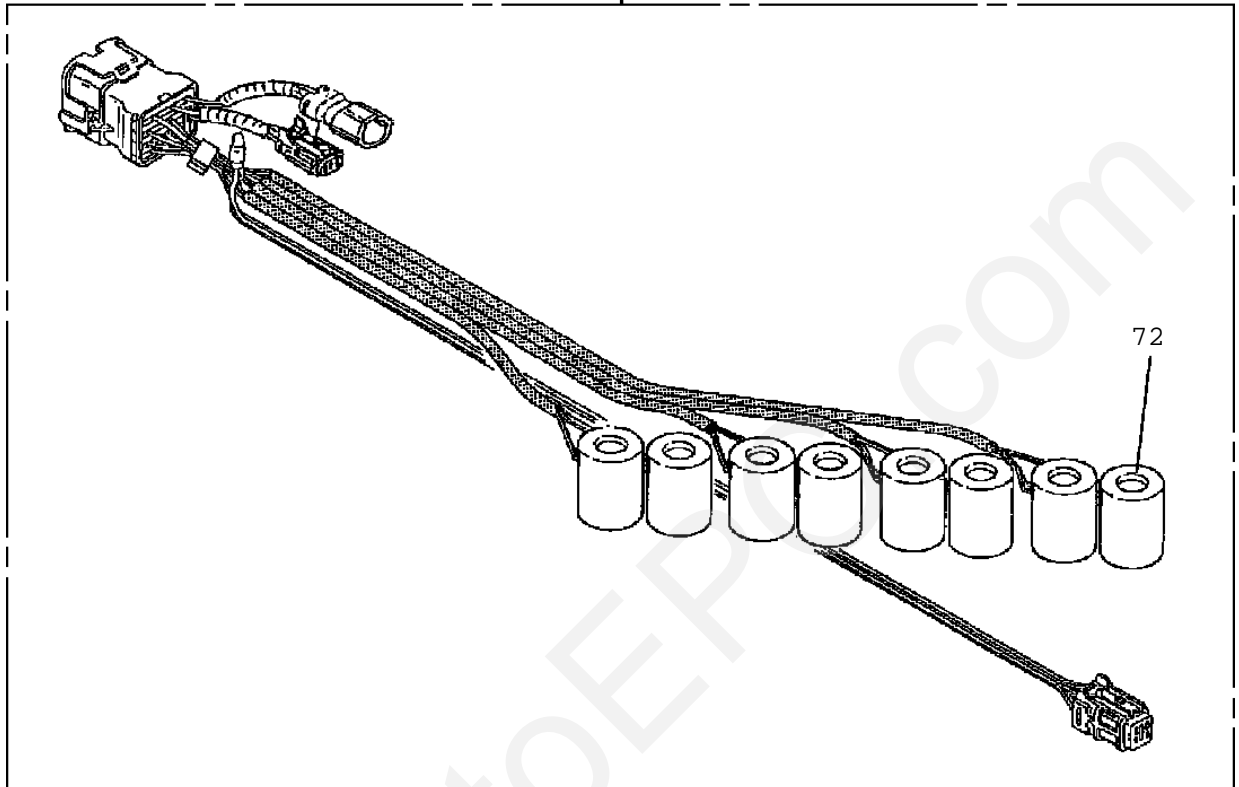
TM-ZR300 31014010170A FRAME/SL, MANUAL, HOOK-IN  
PV1020231-03 VALVE, REMOTE CONTROL (NACHI)

81, 101, 102, 103

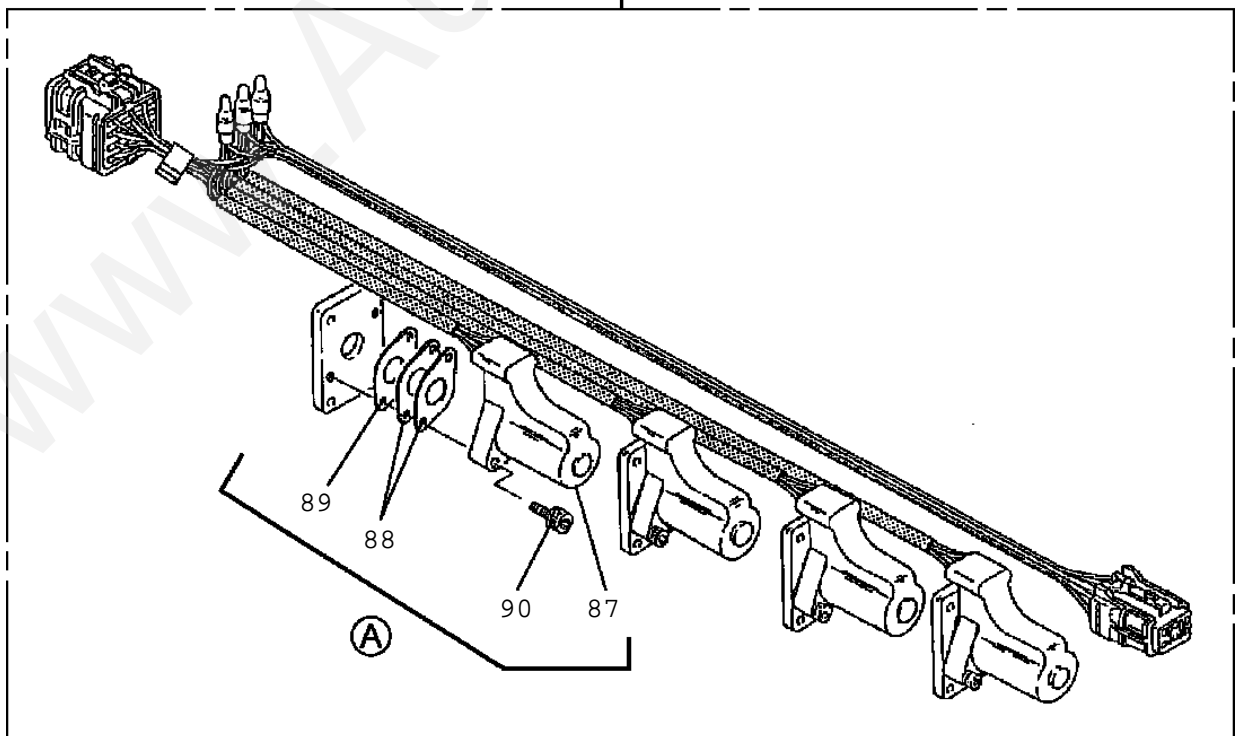


TM-ZR300 31014010170A FRAME/SL, MANUAL, HOOK-IN  
PV1020231-03 VALVE, REMOTE CONTROL (NACHI)

253

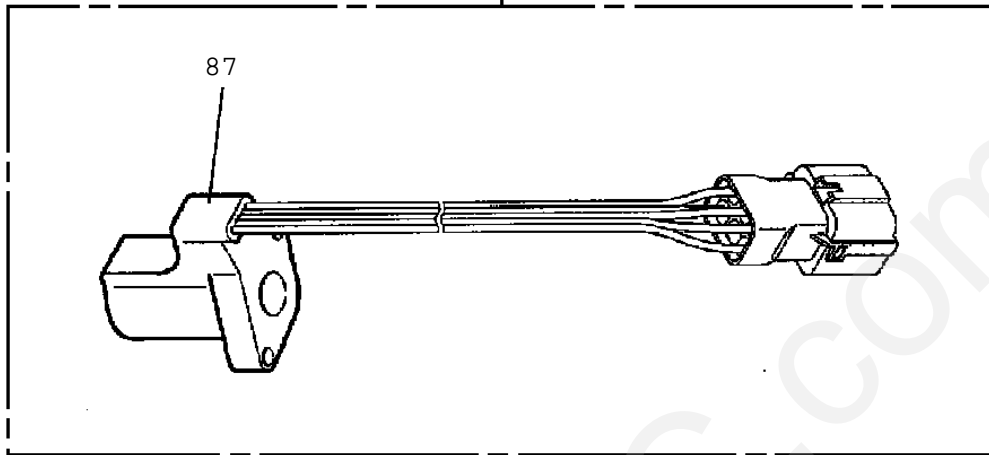


254

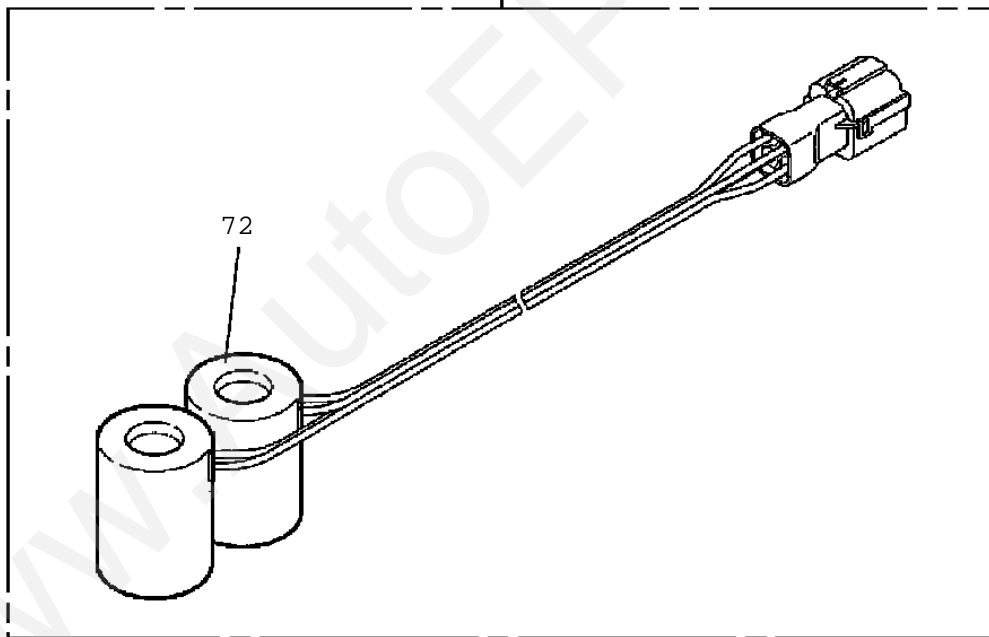


TM-ZR300 31014010170A FRAME/SL, MANUAL, HOOK-IN  
PV1020231-03 VALVE, REMOTE CONTROL (NACHI)

255



256





**TM-ZR300 31014010170A FRAME/SL, MANUAL, HOOK-IN**

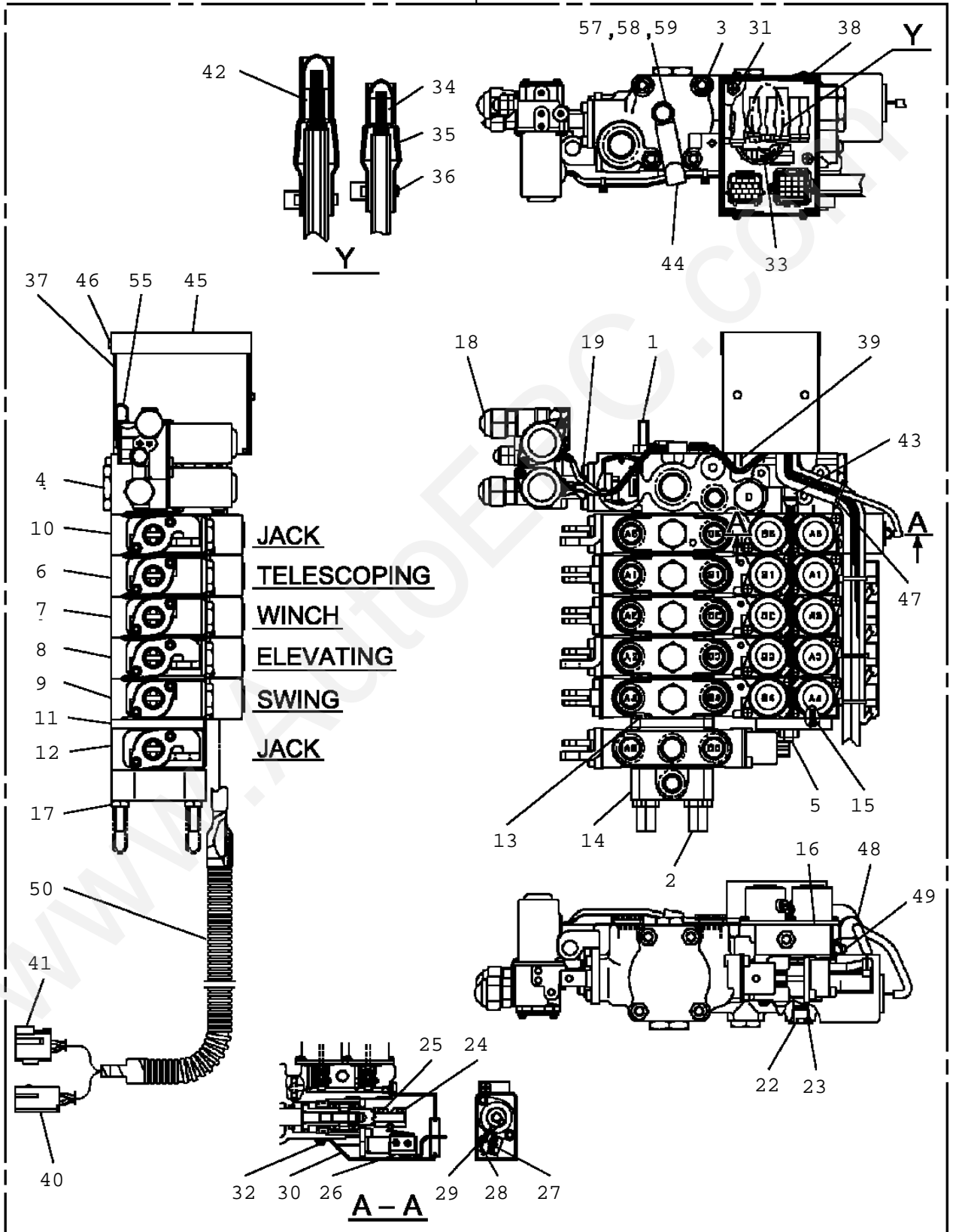
Pos No.	Parts No	Parts Name	Qty	Unit	Technical Data	Ser
1	36647985010	BLOCK, R.G.B.	1			
2	36648035010	VALVE, CONTROL (JACK/WITH COIL)	1			
3	36648035020	VALVE, CONTROL (TELESCOP/WITH COIL)	1			
4	36647985030	VALVE, CONTROL (WINCH/WITH COIL)	1			
5	36648035030	VALVE, CONTROL (ELEVATING/WITH COIL)	1			
6	36648035041	VALVE, CONTROL (SWING, WITH COIL)	1			
7	36646285021	VALVE, CONTROL (JACK)	1			
8	36648035050	PLATE	1			
9	36648035060	PLATE (END)	1			
10	36648035070	BOLT, TIE	4			
11	36646285060	CAP	4			
14	91001205500	O-RING	1		1A G55	
16	36605425070	PLUG	2			
17	91002801100	O-RING	2		1B P11	
35	36647985090	SPRING	1			
40	36644795100	CAP	1			
41	36647285170	SPRING (A)	1			
42	36646165070	SPRING (B)	1			
43	36644795041	SPRING	1			
44	70320127630	SPRING	1			
51	91001100600	O-RING	12		1A P6	
52	91002800600	O-RING	1		1B P6	
53	91002800800	O-RING	1		1B P8	
54	91002801000	O-RING	3		1B P10	
55	91002801100	O-RING	2		1B P11	
56	91002802500	O-RING	1		1B P25	
57	91001205500	O-RING	7		1A G55	
58	36647285010	FILTER	1			
62	36647985100	SOLENOID KIT (FOR LOW PRESSURE)	1			
63	36647985110	SOLENOID KIT (FOR UNLOAD)	1			
64	36644795031	VALVE, RELIEF	1			
65	36642415151	VALVE, REDUCING	1			
71	36648035080	VALVE, CONTROL (JACK/WITHOUT COIL)	1			
72	36647985160	COIL, SOLENOID	10			
73	36647645050	WASHER	10			
74	36647645060	NUT	10			
75	91001101100	O-RING	10		1A P11	
76	91001001200	O-RING	10		1A S12	
81	36648035090	VALVE, CONTROL (TELES/WITHOUT COIL)	1			
87	36647985170	COIL	4			
88	36642415300	SHIM (T=0.5)	8			
89	36642415310	SHIM (T=0.2)	8			
90	36062605020	BOLT, HEXAGON SOCKET (WITH WASHER)	8		M4X15	
101	36647985180	VALVE, CONTROL (WINCH)	1			
102	36648035100	VALVE, CONTROL (ELEVAT/WITHOUT COIL)	1			
103	36648035111	VALVE, CONTROL (SWING, WITHOUT COIL)	1			
114	36642415330	SPRING	3			
125	36642415210	SPRING	4			
126	36642415320	PLATE	4			
127	36642415220	RING, BACKUP	7			
132	91001101001	O-RING	10		1A P10A	
133	91001101400	O-RING	12		1A P14	
134	91002801400	O-RING	6		1B P14	
135	91001102100	O-RING	5		1A P21	
136	91001102200	O-RING	5		1A P22	
138	91001000900	O-RING	14		S9	
139	91411001400	RING, BACKUP	5		P14	
140	91411002100	RING, BACKUP	10		P21	
152	36645605110	PLATE (FULCRUM)	3			
162	36647985120	COIL, SOLENOID	1			
166	91001001500	O-RING	2		1A S15	
167	91001001600	O-RING	2		1A S16	
168	91001101800	O-RING	2		1A P18	
172	36647985130	COIL, SOLENOID	1			
175	36647985140	LOCK ASSY	1			
185	36642415160	SPRING	1			
186	36647285390	SPRING	1			
190	91002801001	O-RING	1		1B P10A	
191	91000501700	O-RING	12			
192	91000501800	O-RING	1		ARP568-018	
193	91002802200	O-RING	1		1B P22	
204	36647985350	SPRING	1			
208	91002801200	O-RING	1		1B P12	
210	91002802000	O-RING	1		1B P20	

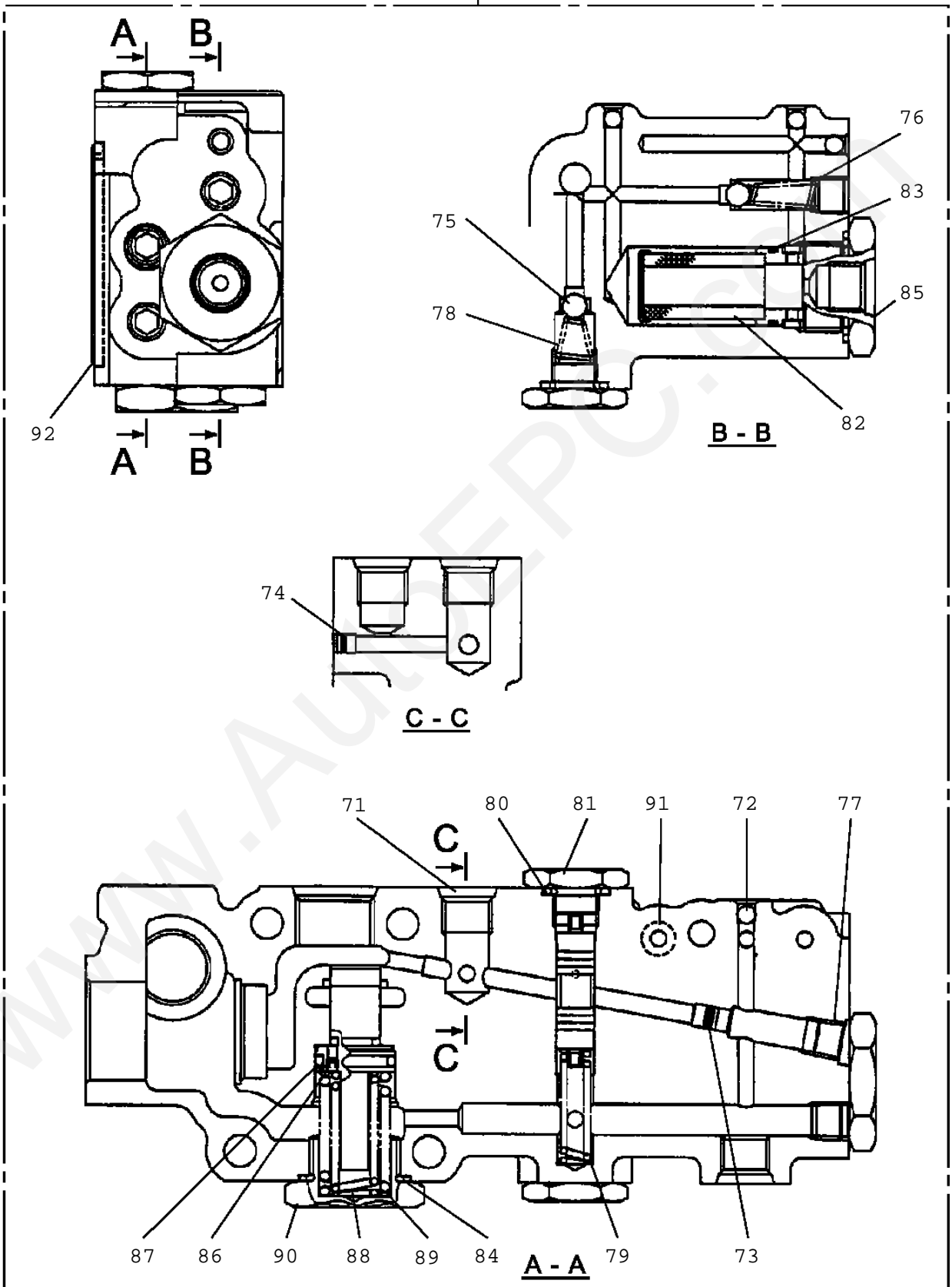
**TM-ZR300 31014010170A FRAME/SL,MANUAL,HOOK-IN**

Pos No.	Parts No	Parts Name	Qty	Unit	Technical Data	Ser
227	36647285340	BALL,STEEL	10			
230	36647285350	O-RING	10			
231	91001001800	O-RING	10		S18	
232	80560055000	BALL,STEEL	20		3/16	
251	36647985240	BOX	1			
252	36647985250	COVER	1			
253	36647985260	HARNESS ASSY (WITH COIL)	1			
254	36647985270	HARNESS ASSY (WITH COIL)	1			
255	36647985280	HARNESS ASSY (WITH COIL)	1			
256	36647985290	HARNESS ASSY (WITH COIL)	1			
257	36647985310	TUBE,CORRUGATE	1			
258	36647985320	TUBE,CORRUGATE	1			
259	36643725260	ANGLE	1			
260	36645815200	SEAT (RUBBER)	1			
261	36645815230	SEAT (RUBBER)	1			
262	36645815210	STICKER	1			
267	36645815170	CLIP	2			
268	36645815180	INSULOCK	13			
269	36647985330	TIE (INSULOCK)	2			
270	36647985340	TIE (INSULOCK)	1			
301	36645155160	SWITCH ASSY	1			
500	36648030000	VALVE,REMOTE CONTROL (NACHI)	1			

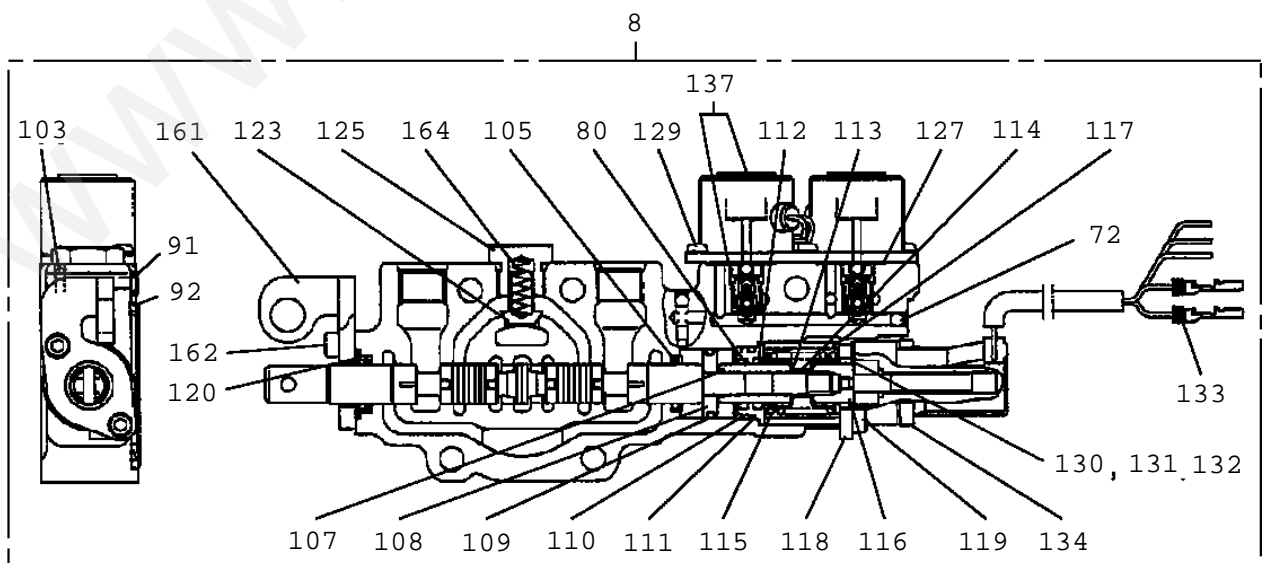
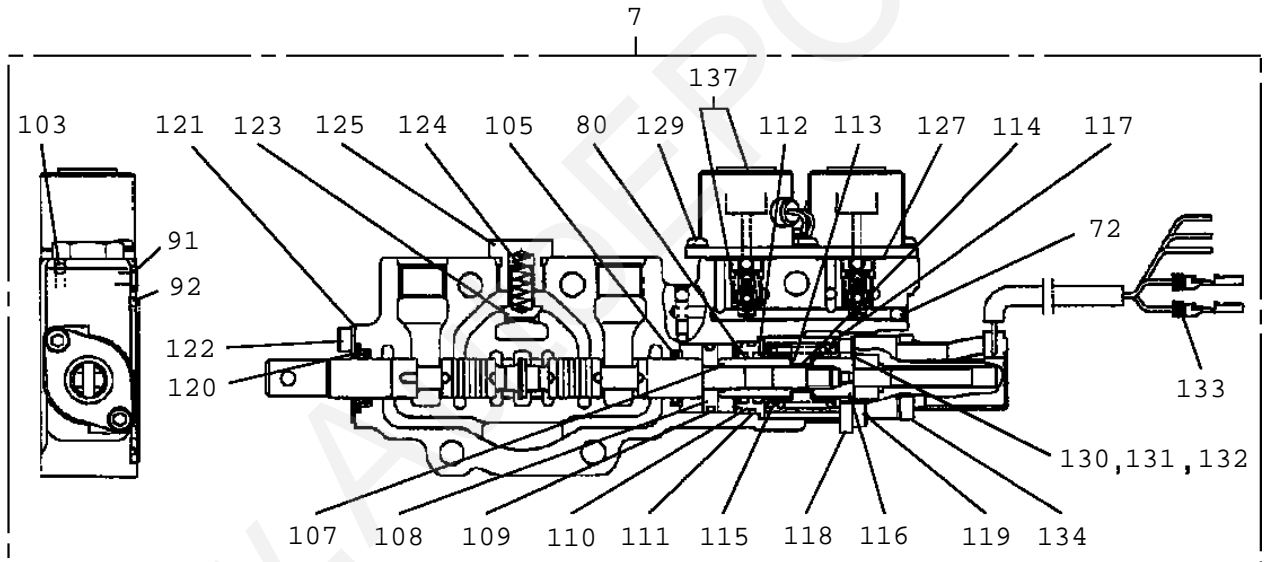
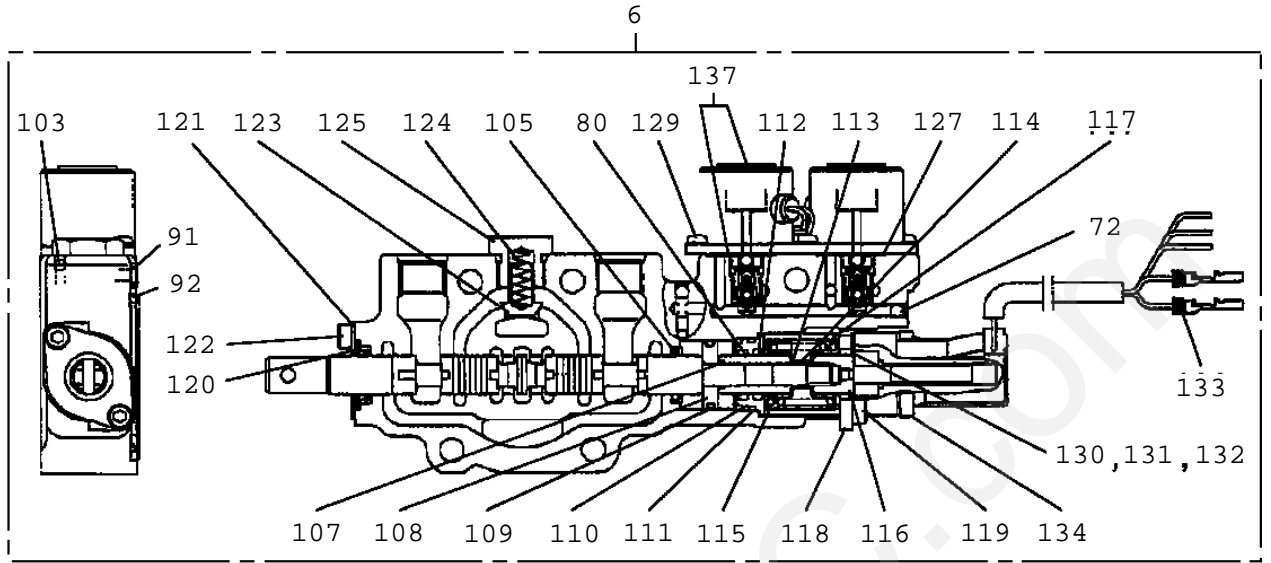
www.AutoEPC.com

500

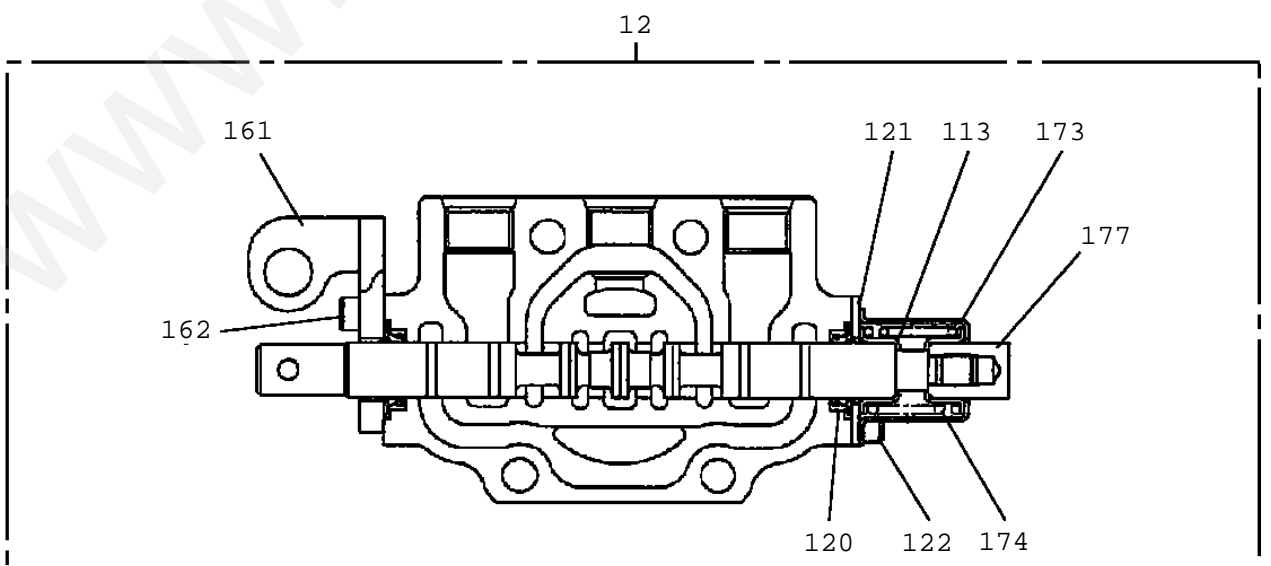
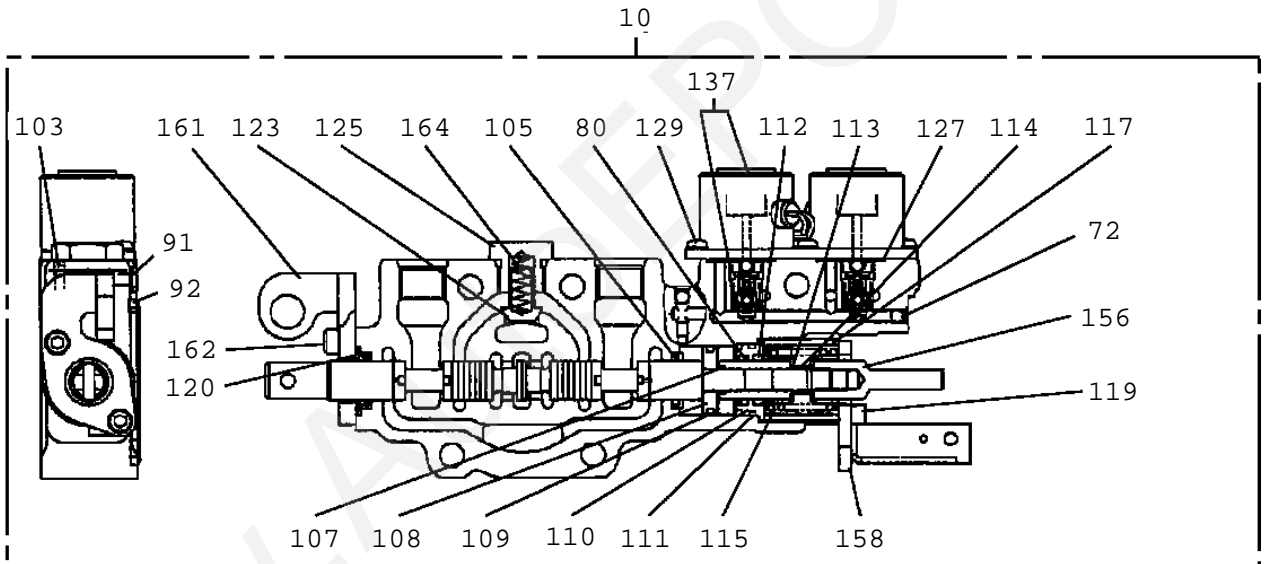
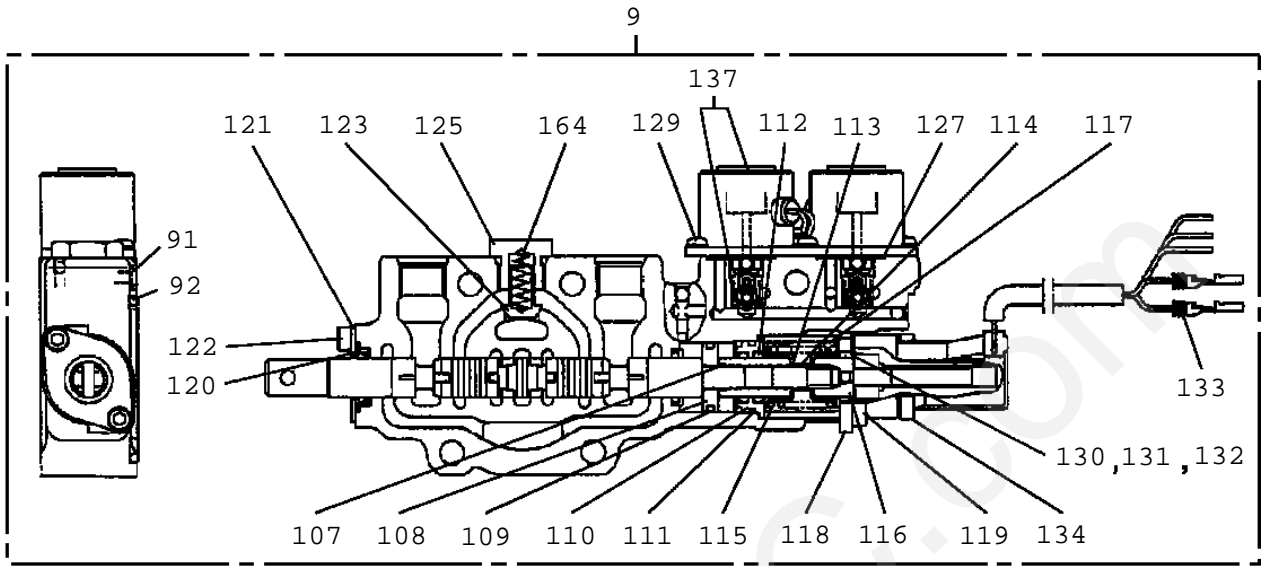




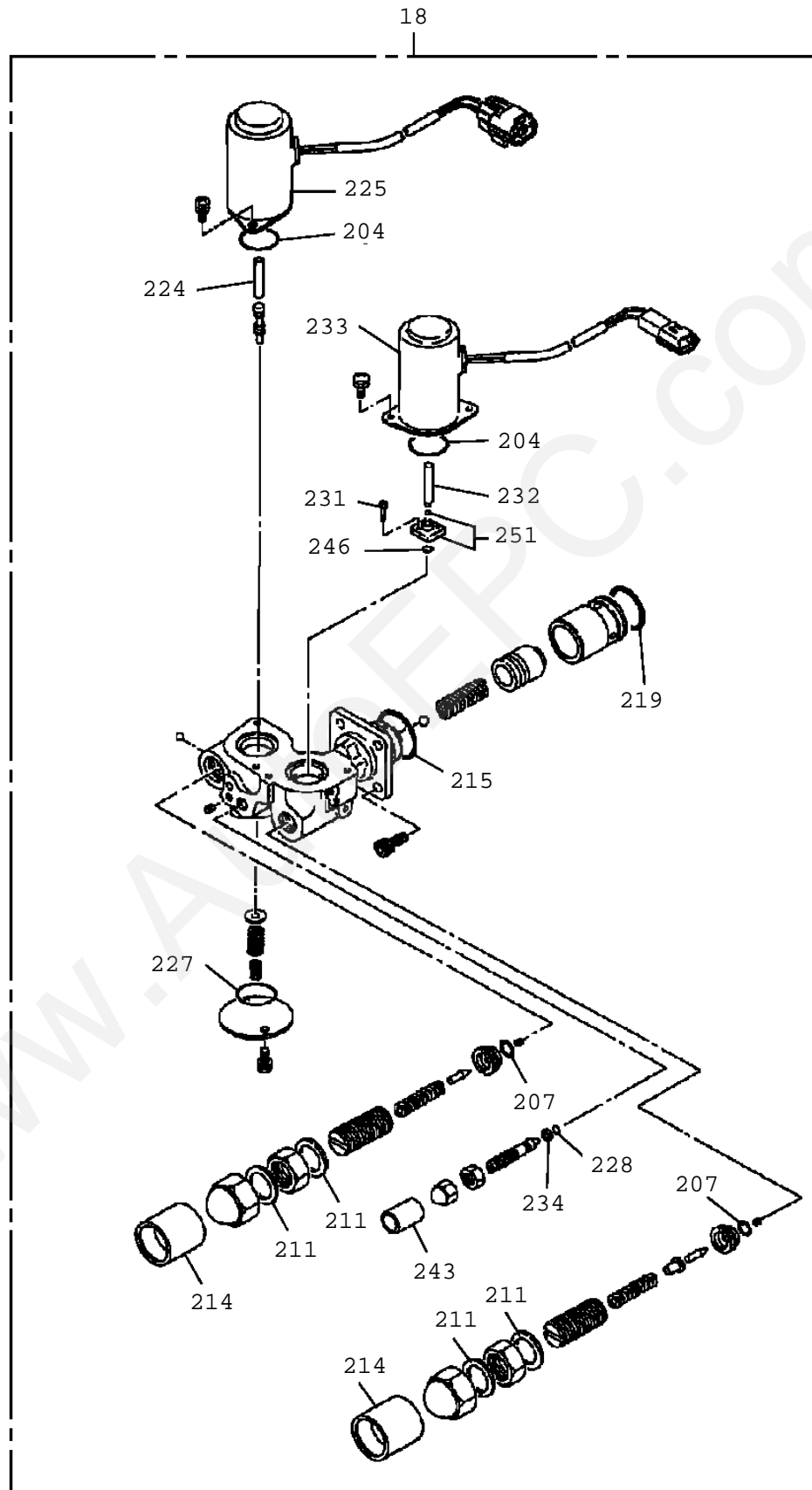
TM-ZR300 31014010170A FRAME/SL, MANUAL, HOOK-IN  
 PV1020353-00 VALVE, REMOTE CONTROL



TM-ZR300 31014010170A FRAME/SL, MANUAL, HOOK-IN  
 PV1020353-00 VALVE, REMOTE CONTROL



TM-ZR300 31014010170A FRAME/SL, MANUAL, HOOK-IN  
PV1020353-00 VALVE, REMOTE CONTROL



**TM-ZR300 31014010170A FRAME/SL, MANUAL, HOOK-IN**

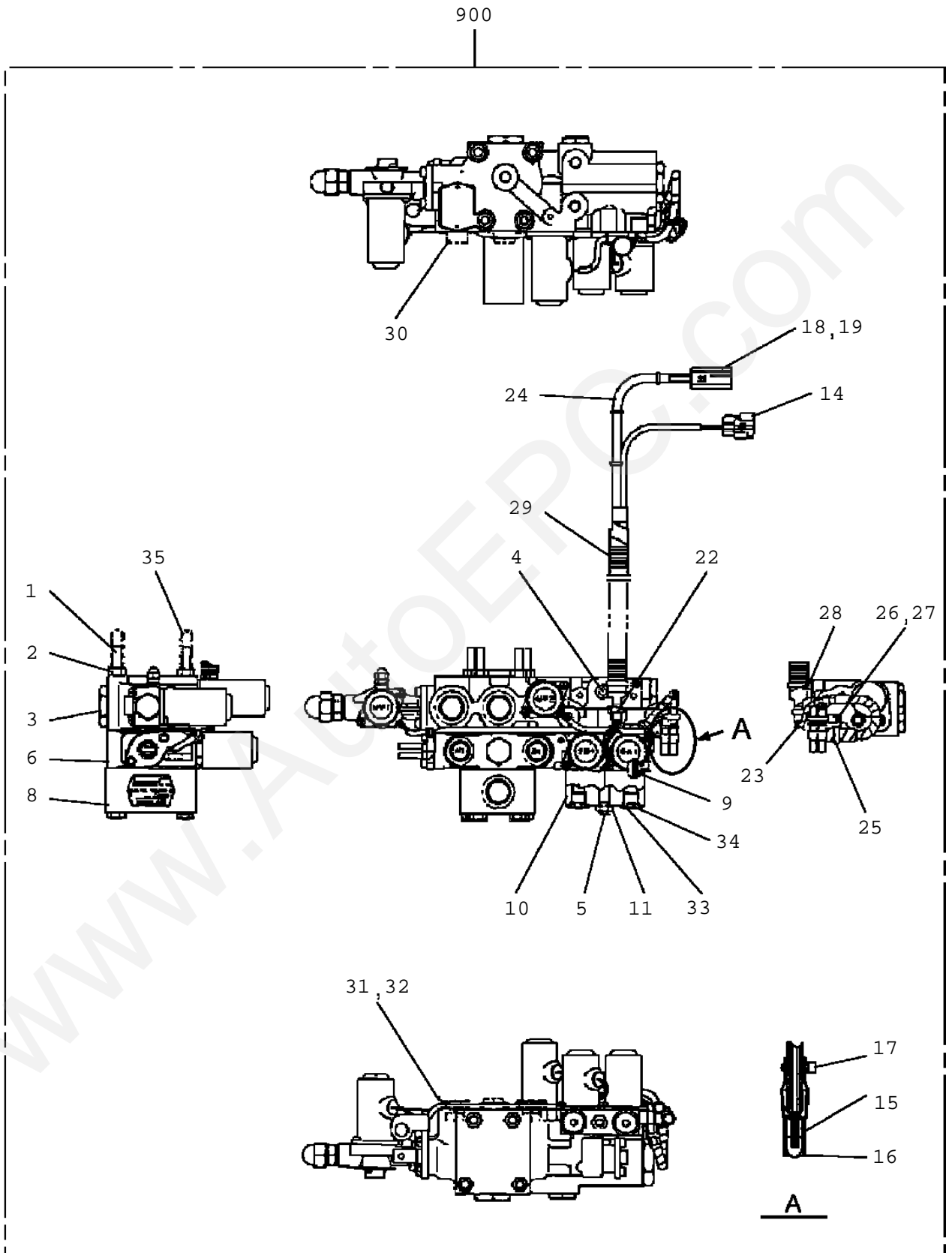
Pos No.	Parts No	Parts Name	Qty	Unit	Technical Data	Serial No
1	36645585010	BOLT, TIE	1			
2	36636085030	BOLT, TIE (A)	3			
3	90201200800	NUT	4		M8	
4	36648365010	COVER (FRONT)	1			
	36741810060	COVER (FRONT)	1			ES8336
5	36647075050	BOLT, TIE (A)	1			
6	36648385010	VALVE, CONTROL (TELESCOPING)	1			
7	36648365030	VALVE, CONTROL (WINCH)	1			
8	36648385020	VALVE, CONTROL (ELEVATING)	1			
9	36741385010	VALVE, CONTROL (SWING)	1			
10	36648385040	VALVE, CONTROL (JACK)	1			
11	36636085050	PLATE	1			
12	36637485060	VALVE, CONTROL (JACK)	1			
13	91002905500	O-RING	2		1B G55	
14	36645375030	COVER (BOTTOM)	1			
15	80720104012	PIN, SPRING	1		4X12	
16	36644835061	COVER	1			
17	90203200800	NUT	5		M8	
18	36645405011	VALVE, SOLENOID	1			
19	36645615230	C-BOLT	4		5X12	
22	36644115130	PLUG	2			
23	91001101100	O-RING	2		1A P11	
24	36649075060	CAM	2			
25	36646865110	SCREW, SET	2			
26	36648385051	SWITCH ASSY	1			
27	36647125090	SCREW, MACHINE	2		M2.3X14	
28	36646575070	PLATE	1			
29	36647125100	NUT	2		M2.3	
30	36648385060	COVER	1			
31	80172105008	SCREW, MACHINE	3		M5X8	
32	80172104006	SCREW, MACHINE	2		M4X6	
33	36649585260	HARNESS	1			
34	36644015120	CONNECTOR	3			
35	36644015130	TUBE	5			
36	11615111410	BAND	8			
37	36644015080	BOX	1			
38	36644015150	URETHANE (ROOL STOCK)	4			
39	36644015140	COVER	1			
40	36648365090	HARNESS ASSY (LVDT)	1			
41	36649715020	HARNESS ASSY (SOLENOID)	1			
42	36644015110	CONNECTOR	2			
43	36640625140	TUBE	1		12B	
44	36646865070	CLIP	1			
45	36644015070	COVER	1			
46	36645405150	SCREW, MACHINE	4		M3X5	
47	36645405160	BAND	2			
	36740765040	BAND	2			ES8336
48	36646865060	FASTENER	2			
49	36647855190	SCREW, MACHINE	2		M5X12	
50	36646875100	TUBE	1		15	
55	36640755070	CAP	5			
57	90303070801	WASHER, PLAIN	1		8	
58	90302040801	WASHER, SPRING	1		8	
59	90101208012	BOLT	1		M8X12	
71	36648365170	COVER (FRONT)	1			
	36648365171	COVER (FRONT SUB)	1			ES8336
72	36648375020	BALL, STEEL	16		3/16	
73	36646875110	COCK	1			
74	36660495110	PLUG	1			
75	80560057000	BALL, STEEL	2		1/4	
76	36640625260	SPRING	1			
77	80316030020	PLUG	5		PT1/8	
78	36640625220	SPRING	1			
79	36641075260	SPRING	1			
80	91001101400	O-RING	14		1A P14	
81	36640625210	CAP	2			
82	36640625240	FILTER	1			
83	91001001800	O-RING	1		S18	
84	91001002600	O-RING	2		S26	
85	36647395150	PLUG	1		M24	
86	36646875130	ORIFICE	1		M3	
87	91001101600	O-RING	1		1A P16	
88	36646265090	SPRING (B)	1			
89	36646265080	SPRING (A)	1			



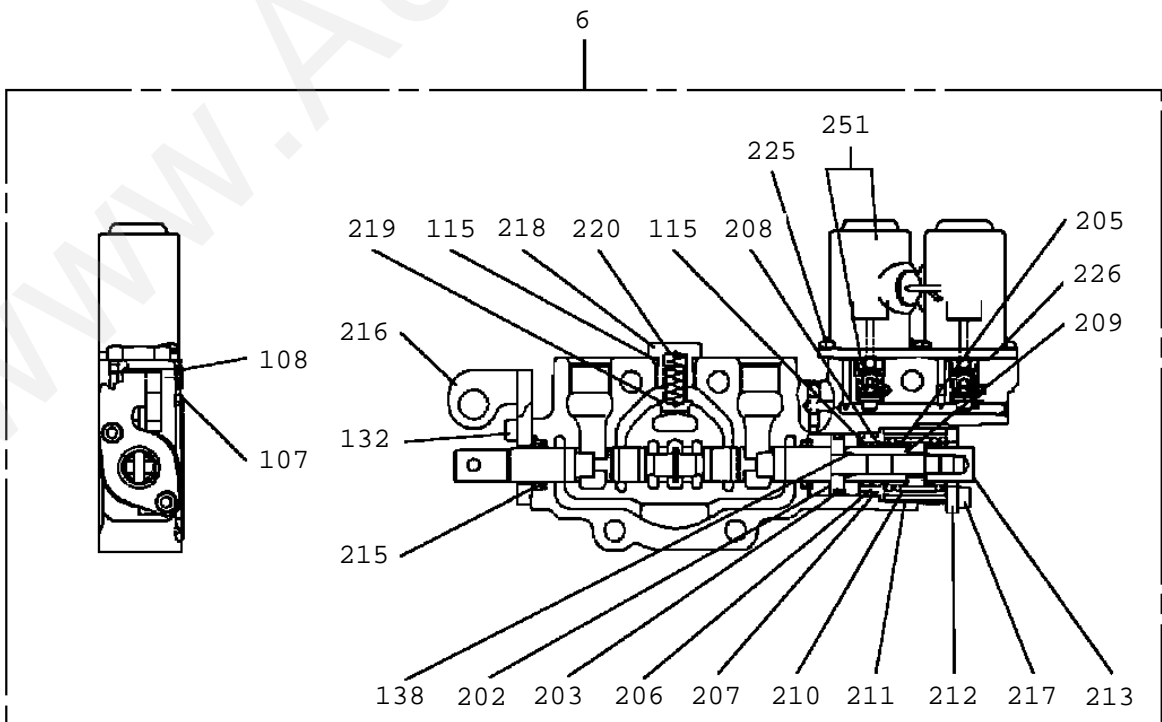
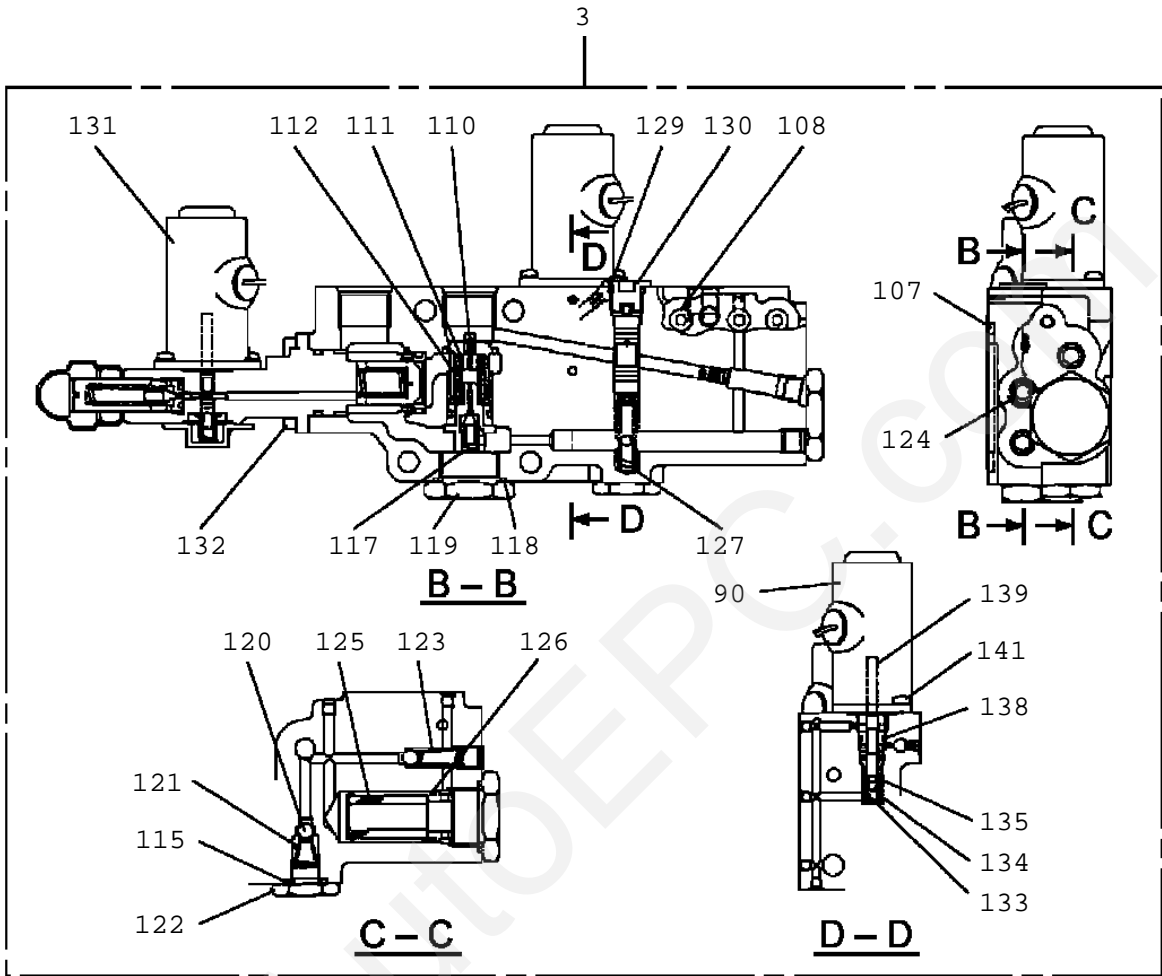
**TM-ZR300 31014010170A FRAME/SL, MANUAL, HOOK-IN**

Pos No.	Parts No	Parts Name	Qty	Unit	Technical Data	Serial No
90	36645615210	PLUG	1		24	
91	91001100600	O-RING	28		1A P6	
92	91002905500	O-RING	6		1B G55	
103	36648375030	BALL,STEEL	8		5/32	
105	36640625310	BUSH	4			
107	91001000800	O-RING	5		S8	
108	36646865190	PISTON	5			
109	91001102000	O-RING	5		1A P20	
110	36648365110	FLANGE	5			
111	91001002240	O-RING	5		S22.4	
112	91650001400	SCRAPER	5			
113	36645495210	SEAT,SPRING (RETURN)	12			
114	36648365120	SPOOL (SUB)	5			
115	36645845060	SPRING (RETURN)	5			
116	36644015260	ADAPTER	4			
117	36648365130	SPACER	5			
118	36645405090	PLATE (D)	4			
119	36645615250	C-BOLT	10		M5X25	
120	36633365100	SEAL,OIL	7			
121	36633365060	PLATE (B)	4			
122	36645615260	C-BOLT	8		M5X8	
123	12635101360	SPOOL	5			
124	36635735150	SPRING (CHECK VALVE)	2			
125	36633365090	CAP (CHECK VALVE)	5			
127	91001002200	O-RING	10		S22	
129	80172104010	SCREW,MACHINE	20		M4X10	
130	36644015220	SHIM (T=0.2)	8			
131	36644015230	SHIM (T=0.3)	8			
132	36645405110	SHIM (T=1.0)	4			
133	36648365140	LVDT ASSY (1)	4			
134	36645405100	BOLT	8		M4X22	
137	36648365150	VALVE,SOLENOID (KIT)	10			
156	36645495220	ADAPTER	1			
158	36648385080	BRACKET	1			
161	36645845050	LINK	3			
162	36645615230	C-BOLT	6		5X12	
164	12635101190	SPRING	3			
173	36637475090	CAP	1			
174	36633365050	SPRING (RETURN)	1			
177	36633365070	ADAPTER	1			
204	36645405030	O-RING	2			
207	91002800700	O-RING	2		1B P7	
211	11629431040	PACKING	4			
214	16623320390	TUBE (SEAL)	2			
215	91001102200	O-RING	1		1A P22	
219	91002802100	O-RING	1		1B P21	
224	36646865170	ROD,PUSH	1		8	
225	36645495240	SOLENOID ASSY	1			
227	91001001000	O-RING	1		1A S10	
228	91002800300	O-RING	1		1B P3	
231	90131903008	BOLT,HEXAGON SOCKET	2		M3X8	
232	36645405040	ROD,PUSH	1			
233	36645495250	SOLENOID ASSY	1			
234	36645495260	RING,BACKUP	1			
243	36603185150	TUBE	1			
246	91002800400	O-RING	1		1B P4	
251	36645405180	SEAT,VALVE (WITH STEEL BALL)	1			
500	36741360000	VALVE,REMOTE CONTROL	1			

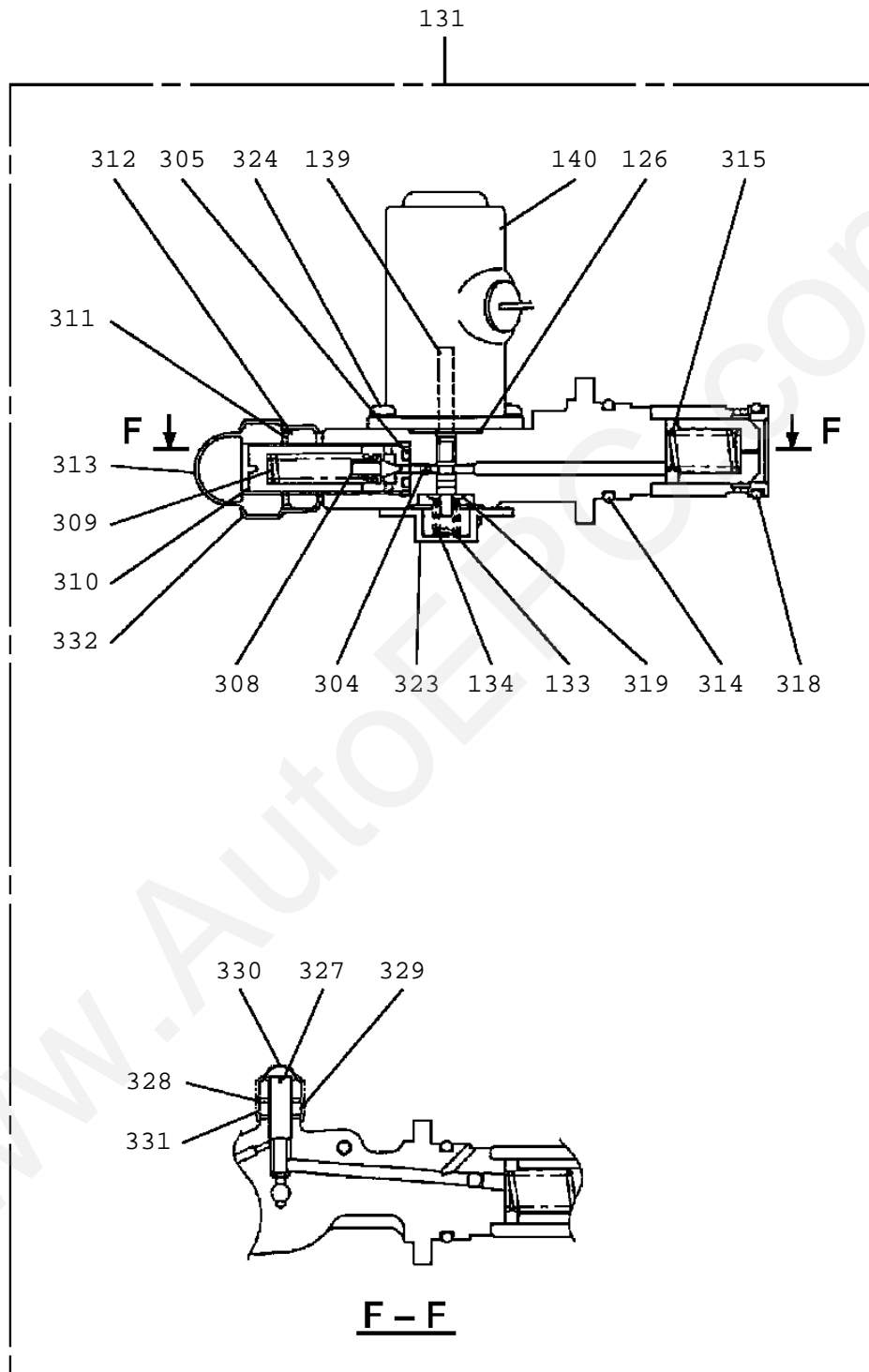
TM-ZR300 31014010170A FRAME/SL, MANUAL, HOOK-IN  
PV1020381-00 VALVE, REMOTE CONTROL



TM-ZR300 31014010170A FRAME/SL, MANUAL, HOOK-IN  
 PV1020381-00 VALVE, REMOTE CONTROL



TM-ZR300 31014010170A FRAME/SL, MANUAL, HOOK-IN  
PV1020381-00 VALVE, REMOTE CONTROL



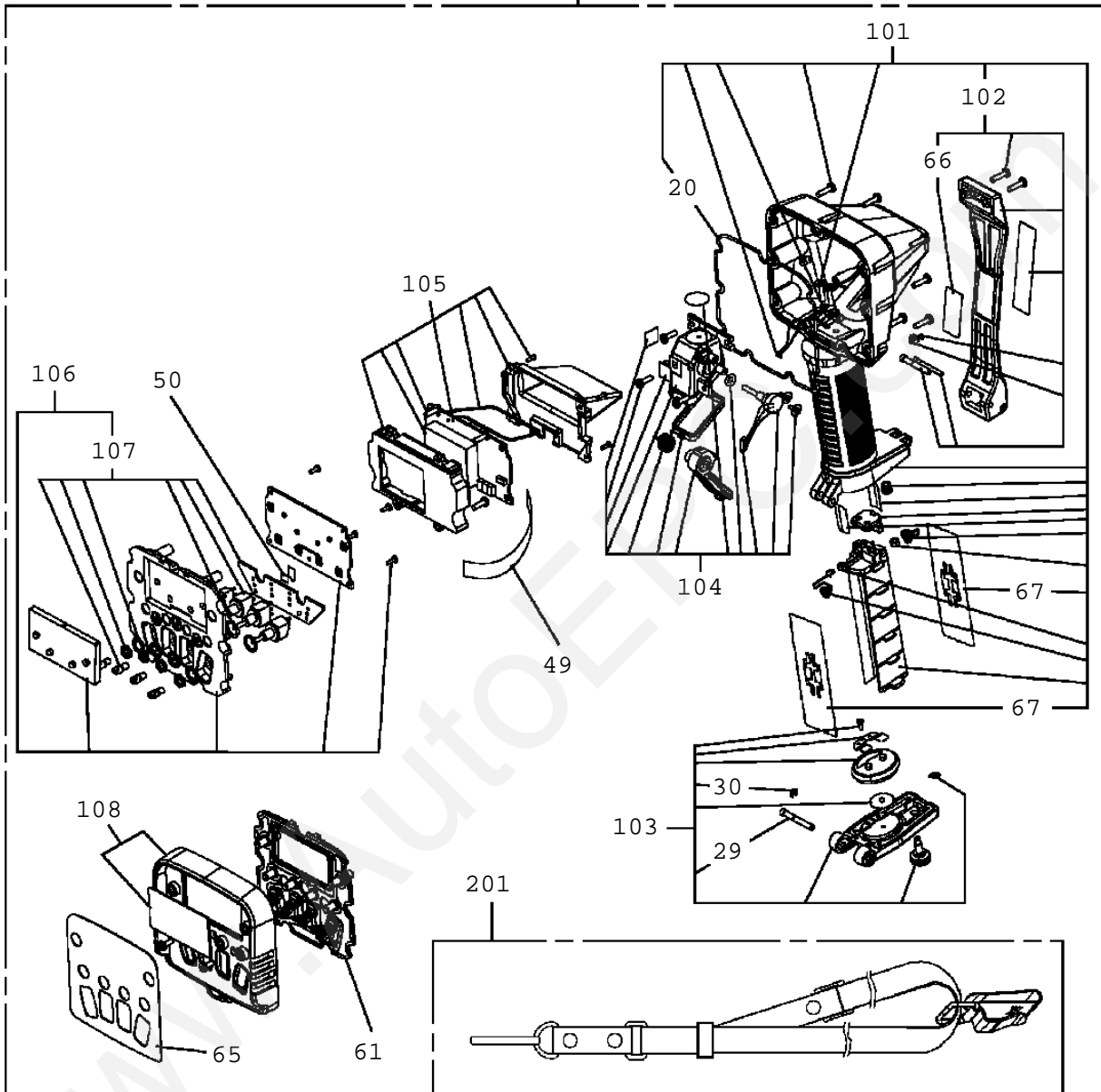
**TM-ZR300 31014010170A FRAME/SL, MANUAL, HOOK-IN**

Pos No.	Parts No	Parts Name	Qty	Unit	Technical Data	Serial No (Start)
1	36646225020	BOLT, TIE	4			
2	90201200800	NUT	4		M8	
3	36648230030	COVER ASSY	1			
4	80316030040	PLUG	1		PT1/4	
5	36647445020	BOLT, TIE	1			
6	36647055030	VALVE, CONTROL	1			
8	36645695040	COVER (BOTTOM)	1			
9	80720104012	PIN, SPRING	1		4X12	
10	36645495080	JOINT	1			
11	90203200800	NUT	5		M8	
14	36647055060	HARNES ASSY (GND)	1			
15	36644015120	CONNECTOR	2			
16	36644015130	TUBE	2			
17	11615111410	BAND	9			
18	82114203040	CONNECTOR (CAP)	1			
19	82121502040	PLATE	1			
22	36740765040	BAND	2			
23	36646875090	TUBE	1		10B	
24	36644015240	TUBE	2		7B	
25	36062635030	FASTENER	3			
26	90303070401	WASHER, PLAIN	2		4	
27	80192434016	SCREW, MACHINE	1		M4X16	
28	80172104010	SCREW, MACHINE	1		M4X10	
29	36062635050	TUBE, CORRUGATE	1		10	
30	36645615090	PROTECTOR	3			
31	36645615200	PACKING	2			
32	36645615190	PLUG (DUST)	2			
33	91001101100	O-RING	2		1A P11	
34	36644115130	PLUG	2			
35	36640755070	CAP	4			
107	91002905500	O-RING	2		1B G55	
108	91001100600	O-RING	8		1A P6	
110	36647055100	SEAT	1			
111	36647055110	SPRING (A)	1			
112	36647055120	SPRING (B)	1			
115	91001101400	O-RING	5		1A P14	
117	36647055140	SPRING	1			
118	91001002600	O-RING	2		S26	
119	36640625710	PLUG	2			
120	80560057000	BALL, STEEL	2		1/4	
121	36640625220	SPRING	1			
122	36640625210	CAP	1			
123	36640625260	SPRING	1			
124	80316030020	PLUG	6		PT1/8	
125	36640625240	FILTER	1			
126	91001001800	O-RING	4		S18	
127	36641075260	SPRING	1			
129	91001101100	O-RING	1		1A P11	
130	36647055150	PLUG	1			
131	36648230070	VALVE ASSY, RELIEF	1			
132	36645615230	C-BOLT	6		5X12	
133	36635735140	SPRING (B)	2			
134	36635735130	SPRING (A)	2			
135	36647055160	SEAT, SPRING	1			
138	91001000800	O-RING	3		S8	
139	36646865170	ROD, PUSH	2		8	
140	36647055170	SOLENOID ASSY	2			
141	80192434016	SCREW, MACHINE	2		M4X16	
202	36646865190	PISTON	1			
203	91001102000	O-RING	1		1A P20	
205	36646865200	SPOOL (SUB)	1			
206	36648365110	FLANGE	1			
207	91001002240	O-RING	1		S22.4	
208	91650001400	SCRAPER	1			
209	36645495210	SEAT, SPRING (RETURN)	2			
210	36645845060	SPRING (RETURN)	1			
211	36646865210	SPACER	1			
212	36640625550	PLATE (D)	1			
213	36633365070	ADAPTER	1			
215	36633365100	SEAL, OIL	1			
216	36645845050	LINK	1			
217	36645615250	C-BOLT	2		M5X25	
218	36633365090	CAP (CHECK VALVE)	1			
219	12635101360	SPOOL	1			

**TM-ZR300 31014010170A FRAME/SL, MANUAL, HOOK-IN**

Pos No.	Parts No	Parts Name	Qty	Unit	Technical Data	Serial No (Start)
220	12635101190	SPRING	1			
225	80172104010	SCREW, MACHINE	4		M4X10	
226	91001002200	O-RING	2		S22	
251	36647055180	VALVE, SOLENOID (KIT)	2			
304	36646875150	ORIFICE	1		M3	
305	91002800700	O-RING	1		1B P7	
308	36647175100	SEAT, SPRING	1			
309	36635735120	SPRING	1			
310	12635101130	SCREW (ADJUSTING)	1			
311	11629431040	PACKING	2			
312	36646575090	NUT	1			
313	36630195030	NUT, CAP	1			
314	91001102200	O-RING	1		1A P22	
315	12635101110	SPRING (RETURN)	1			
318	91002802100	O-RING	1		1B P21	
319	36646865160	SEAT, SPRING	1			
323	36646865150	COVER (FOR SOLENOID)	1			
324	80172304010	SCREW, MACHINE	4		M4X10	
327	36640735130	PLUG	1		M6	
328	36642065070	WASHER, SEAL	2			
329	90203200600	NUT	1		M6	
330	36640735140	NUT, CAP	1		M6	
331	36640625680	TUBE (SEAL)	1			
332	16623320390	TUBE (SEAL)	1			
900	36647440001	VALVE, REMOTE CONTROL	1			

300



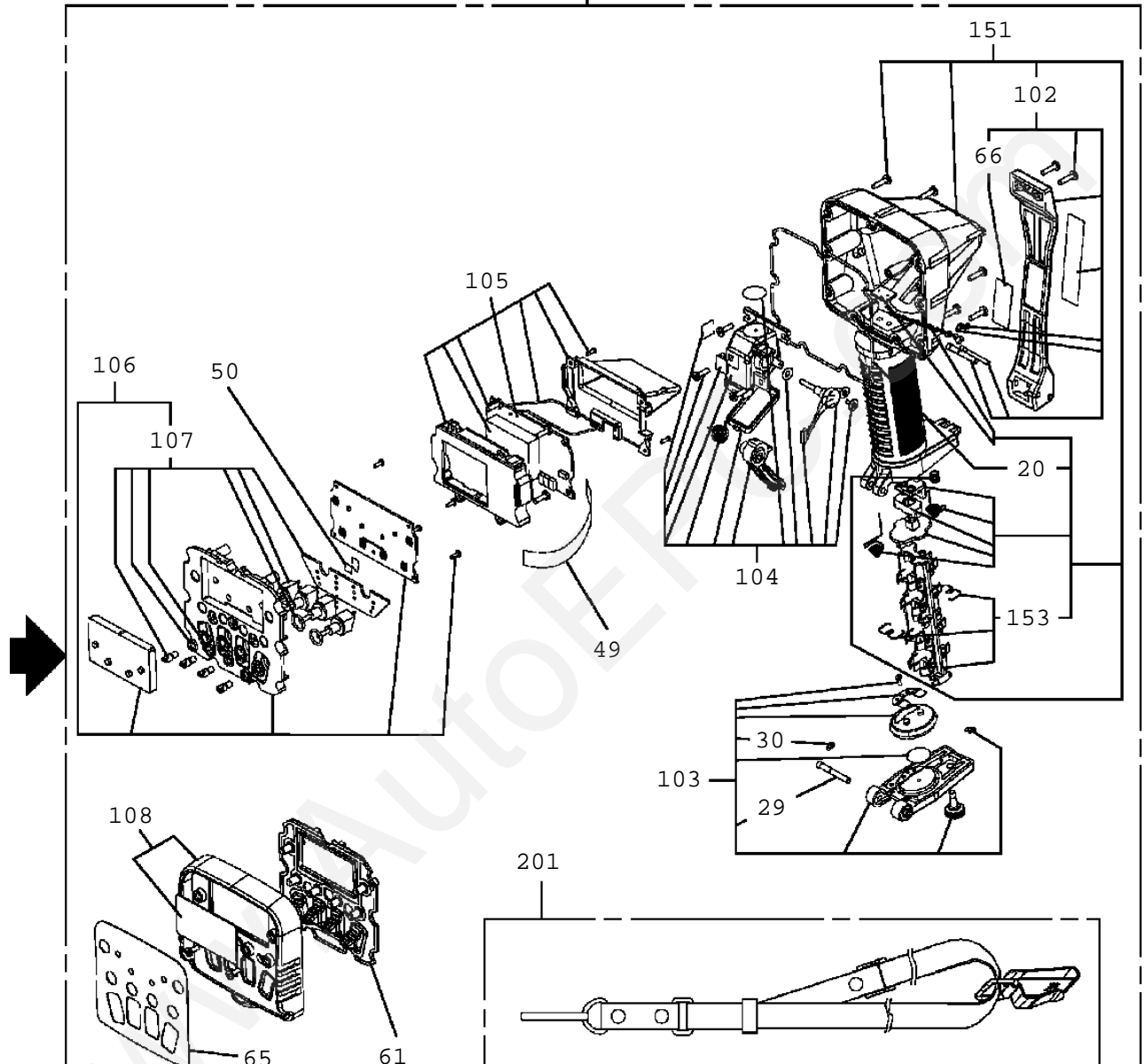
**注意**

1. 本体分解時には、指示番号20の「Oリング（ケース）」を併せて注文ください。
2. 「RF ASSY」を交換する場合は、指示番号66の「ラベル（コクイン）」も併せて注文ください。
3. お送りする「ラベル（コクイン）」には製造番号は印字されていないので記入してください。

**NOTICE**

1. When disassembling the main unit, order a key No.20 [O-RING(CASE)] beforehand.
2. When replacing [RF ASSY] order a Key No.66 [LABEL(SELIAL)] beforehand.
3. Serial No.is not stamped on the [LABEL(SELIAL)] before shipment. Fill in the blank by yourself.

300



**注意**

1. 本体分解時には、指示番号20の「Oリング (ケース)」を併せて注文ください。
2. 「RF ASSY」を交換する場合は、指示番号66の「ラベル (コクイン)」も併せて注文ください。
3. お送りする「ラベル (コクイン)」には製造番号は印字されていないので記入してください。

**NOTICE**

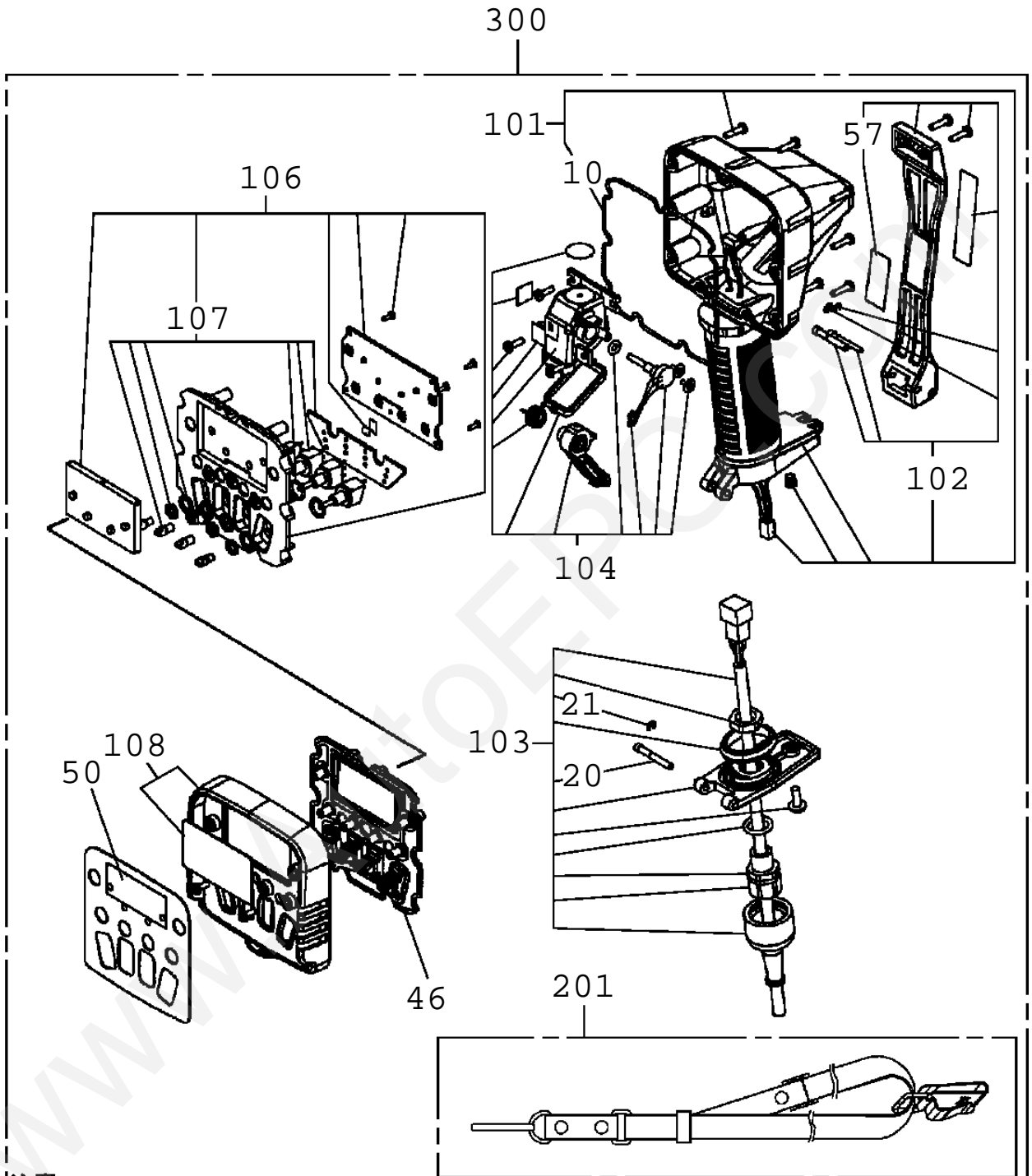
1. When disassembling the main unit, order a key No.20 「O-RING(CASE)」 beforehand.
2. When replacing 「RF ASSY」 order a Key No.66 「LABEL(SELIAL)」 beforehand.
3. Serial No.is not stamped on the 「LABEL(SELIAL)」 before shipment. Fill in the blank by yourself.



**TM-ZR300 31014010170A FRAME/SL,MANUAL,HOOK-IN**

Pos No.	Parts No	Parts Name	Qty	Unit	Technical Data	Ser
20	36804915010	O-RING (CASE)	1			
29	36804915020	PIN	1			
30	36804915030	RING	1			
49	36805795020	HARNESS	1			
50	36805795030	HARNESS	1			
61	36804915060	RUBBER(FRONT)	1			
65	36804915070	PLATE,NAME (TM,STD.)	1			
66	36804915080	LABEL (SERIAL)	1			
67	36804915180	SUPPORT (BATTERY)	2			
101	36804915090	CASE ASSY(LOWER)	1			
102	36804915100	GUARD ASSY (HAND)	1			
103	36804915110	COVER ASSY (BATTERY)	1			
104	36804915120	LEVER ASSY (TRIGGER)	1			
105	36804915130	RF ASSY	1			
106	36804915140	PANEL ASSY (INNER)	1			
107	36804915150	SWITCH ASSY	1			
108	36804915160	CASE ASSY (FRONT)	1			
151	36804917570	CASE ASSY(LOWER)	1			ES7
153	36804917530	HOLDER (BATTERY)	1			ES7
201	36804915170	STRAP	1			
300	36804913000	SWITCH BOX (RADIO CONTROL,LED TYPE)	1			

www.AutoEPC.com



**注意**

1. 本体分解時には、指示番号10の「Oリング(ケース)」を併せて注文ください。
2. お送りする「ラベル(コクイン)」には製造番号は印字されていないので記入してください。

**NOTICE**

1. When disassembling the main unit, order a key No.10 [O-RING(CASE)] beforehand.
2. Serial No.is not stamped on the [ LABEL(SELIAL)] before shipment. Fill in the blank by yourself.

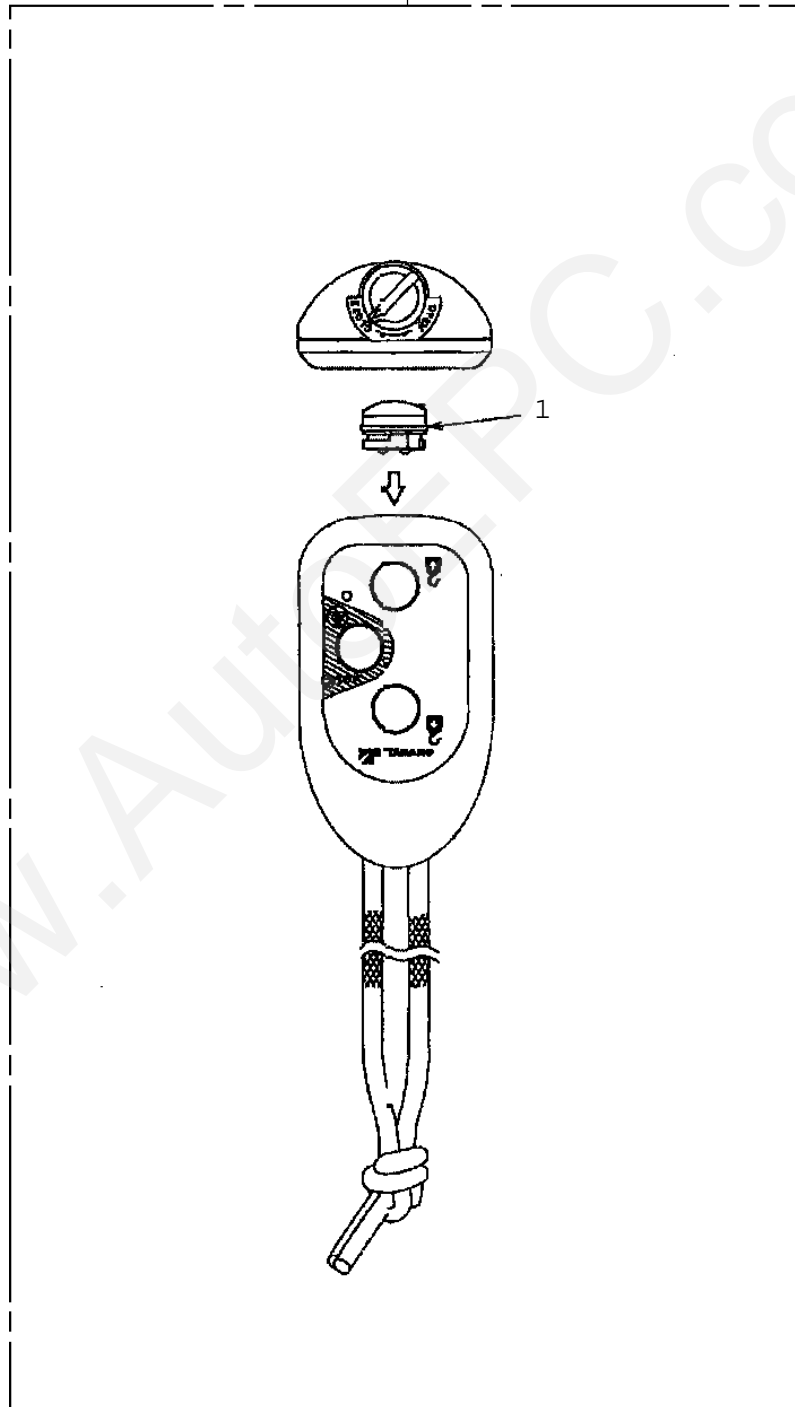
**TM-ZR300 31014010170A FRAME/SL,MANUAL,HOOK-IN**

Pos No.	Parts No	Parts Name	Qty	Unit	Technical Data	Serial No (Start)
10	36804915010	O-RING (CASE)	1			
20	36804915020	PIN	1			
21	36804915030	RING	1			
46	36804915060	RUBBER(FRONT)	1			
50	36805005010	PLATE,NAME	1			
57	36804915080	LABEL (SERIAL)	1			
101	36805005020	CASE ASSY(LOWER)	1			
102	36804915100	GUARD ASSY (HAND)	1			
103	36805005040	CABLE ASSY	1			
104	36804915120	LEVER ASSY (TRIGGER)	1			
106	36805005050	PANEL ASSY (INNER)	1			
107	36804915150	SWITCH ASSY	1			
108	36804915160	CASE ASSY (FRONT)	1			
201	36804915170	STRAP	1			
300	36805003000	SWITCH BOX	1			

www.AutoEPC.com

TM-ZR300 31014010170A FRAME/SL, MANUAL, HOOK-IN  
PV1030107-00 SWITCH BOX (SELF WINCH RADIO CONTROL)

50

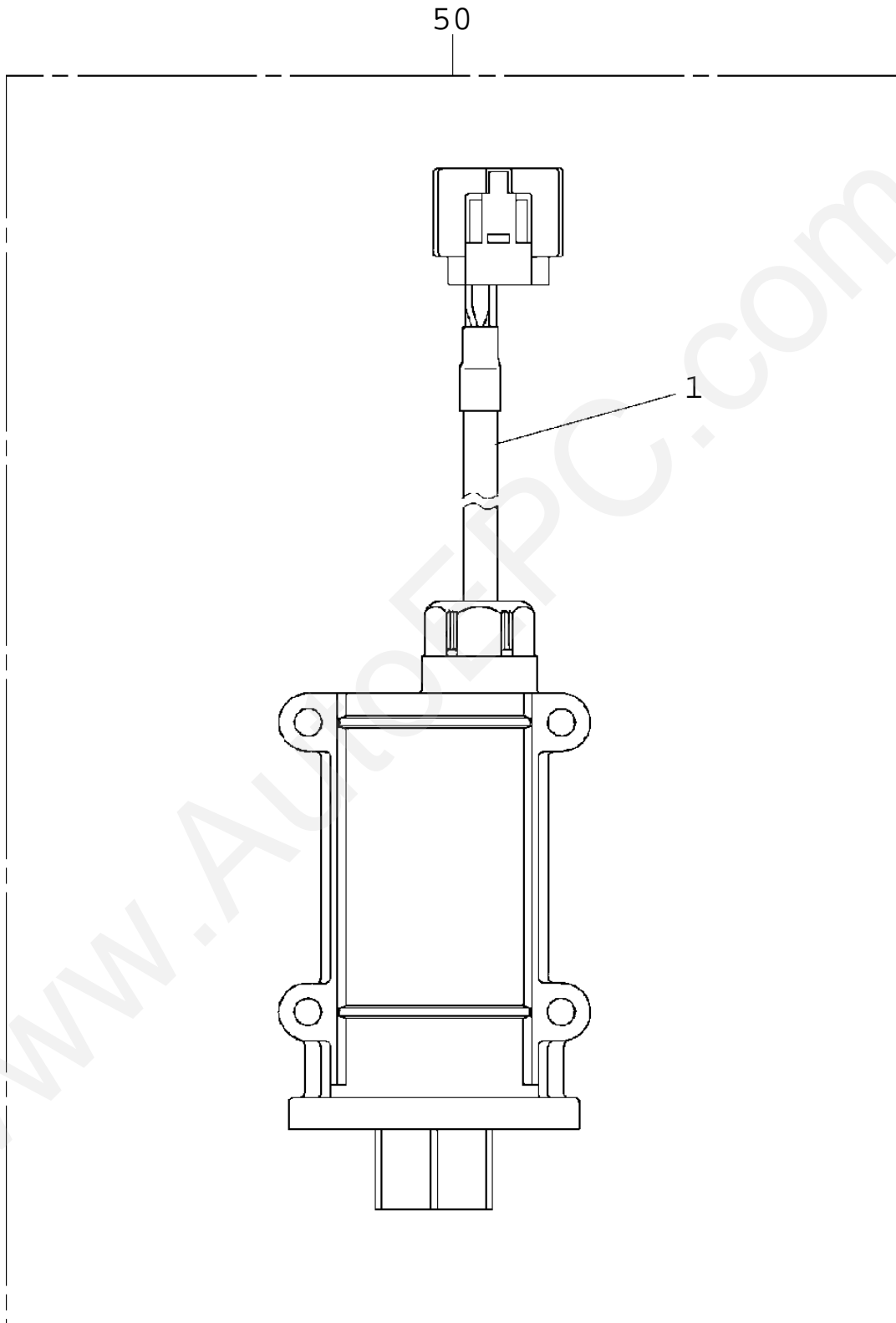


**TM-ZR300 31014010170A FRAME/SL,MANUAL,HOOK-IN**

Pos No.	Parts No	Parts Name	Qty	Unit	Technical Data	S
1	36801785010	CAP ASSY	1			
50	36801781000	SWITCH BOX (SELF WINCH RADIO CONTROL)	1			

www.AutoEPC.com

TM-ZR300 31014010170A FRAME/SL, MANUAL, HOOK-IN  
PV1040032-01 CONTROL BOX (SELF WINCH RADIO CONTROL)



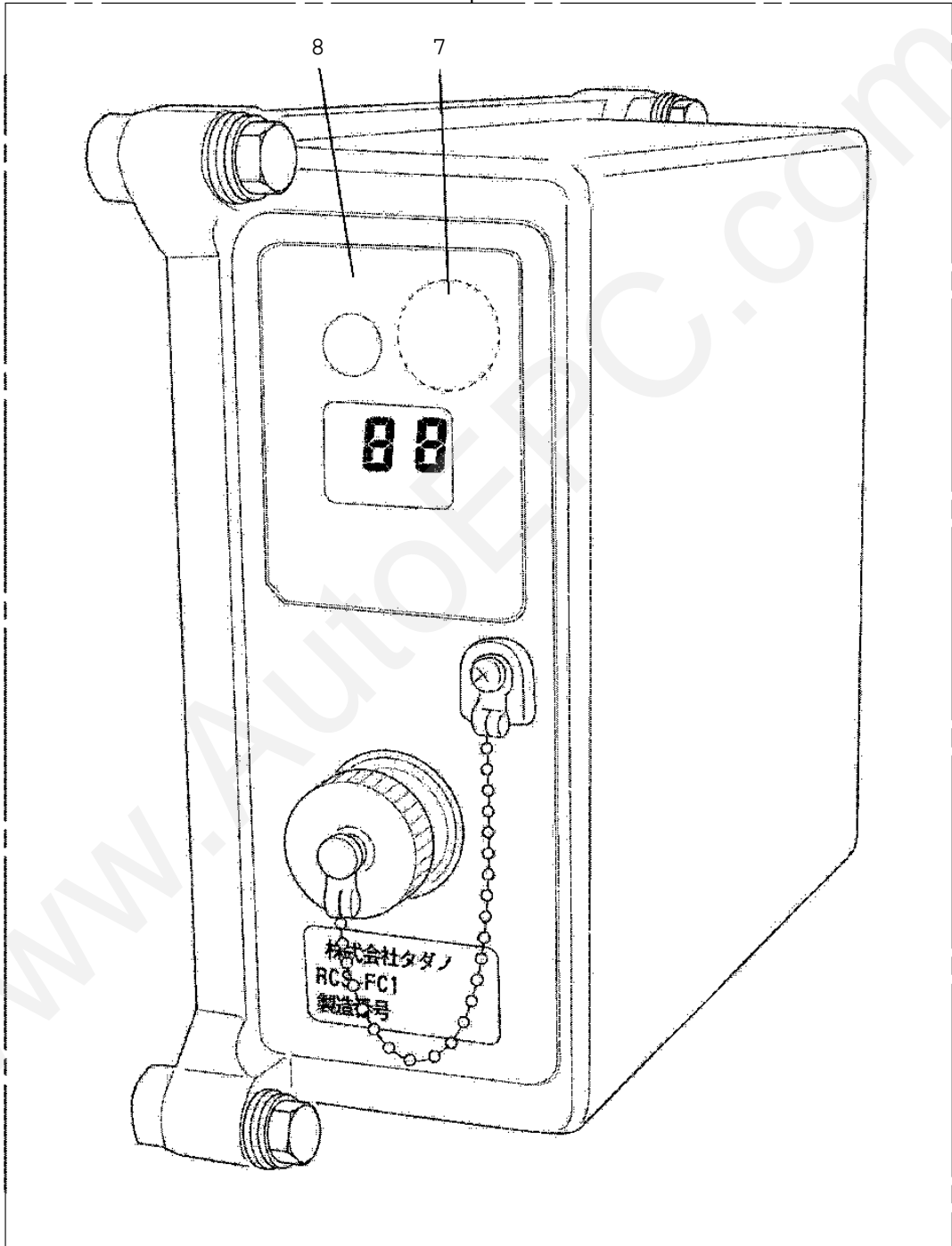
**TM-ZR300 31014010170A FRAME/SL,MANUAL,HOOK-IN**

Pos No.	Parts No	Parts Name	Qty	Unit	Technical Data
1	36801785020	CABLE ASSY	1		
50	36801823000	CONTROL BOX (SELF WINCH RADIO CONTROL)	1		

www.AutoEPC.com

TM-ZR300 31014010170A FRAME/SL, MANUAL, HOOK-IN  
PV1040093-03 CONTROL UNIT

900





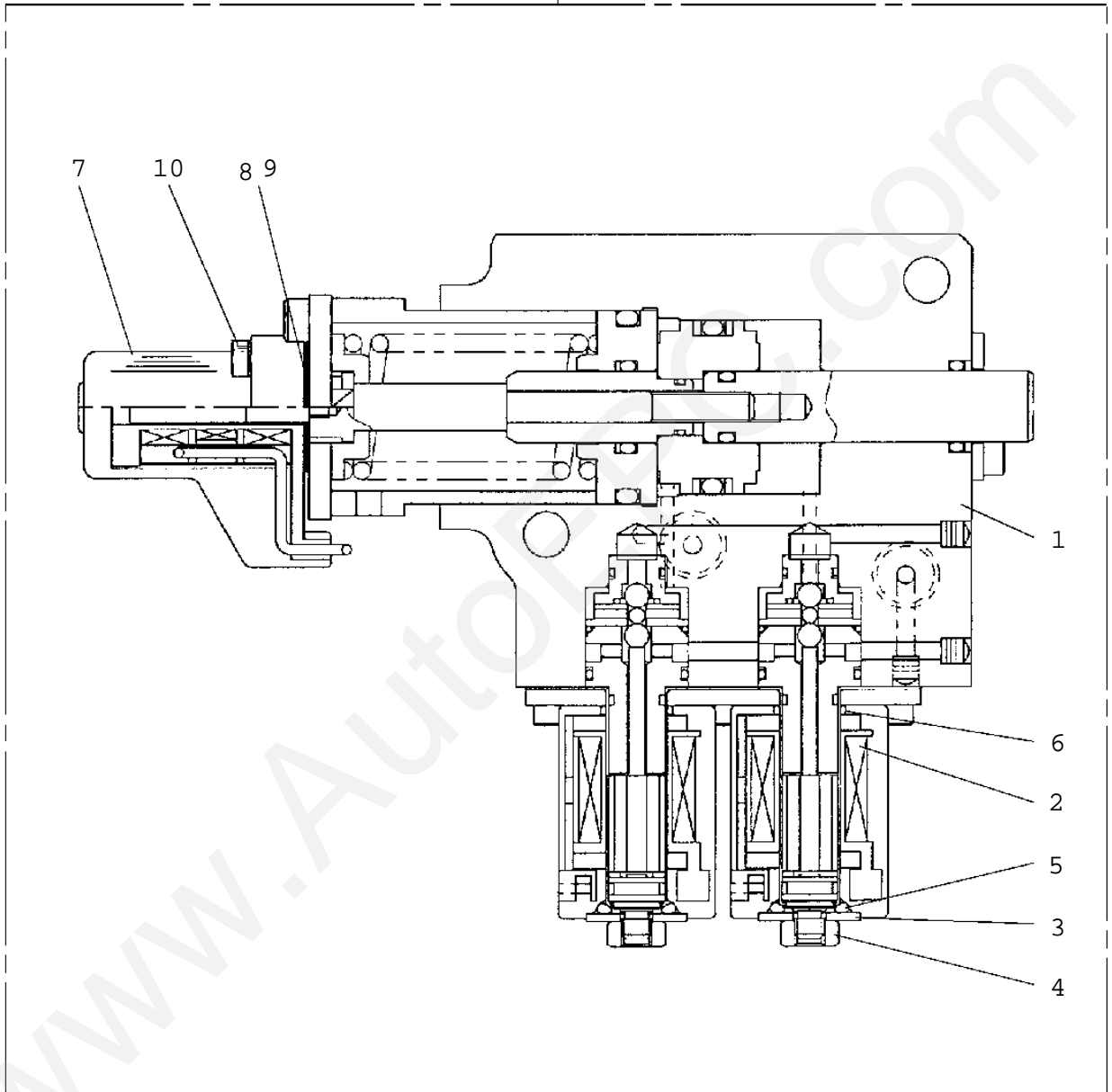
**TM-ZR300 31014010170A FRAME/SL, MANUAL, HOOK-IN**

Pos No.	Parts No	Parts Name	Qty	Unit	Technical Data	Serial No (Start)	Serial :
7	36804917060	STEM	1				
8	36804917070	PANEL	1				
900	36804911000	CONTROL UNIT	1				

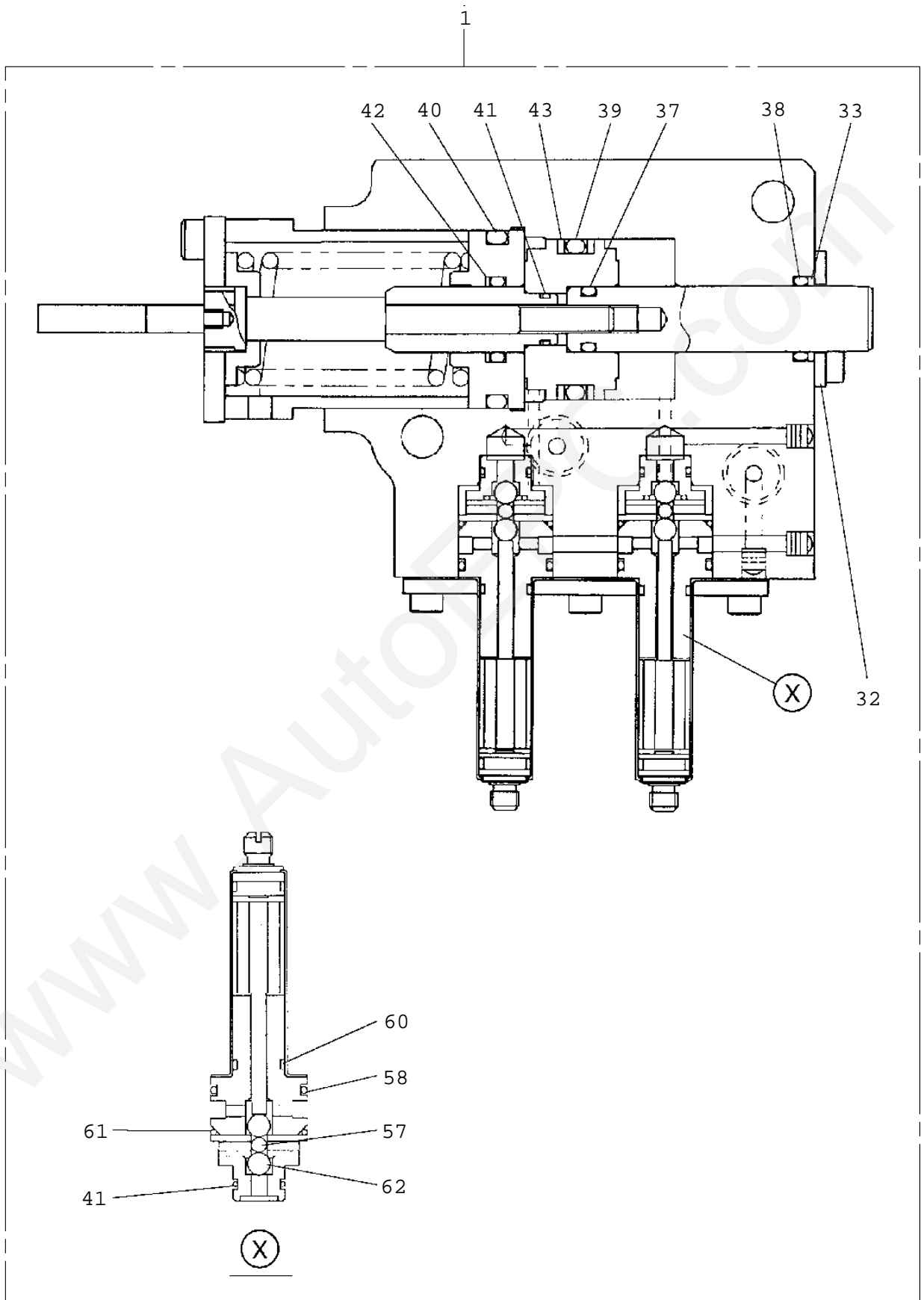
www.AutoEPC.com

TM-ZR300 31014010170A FRAME/SL, MANUAL, HOOK-IN  
PV1050012-00 CYLINDER, ACCELERATOR

100



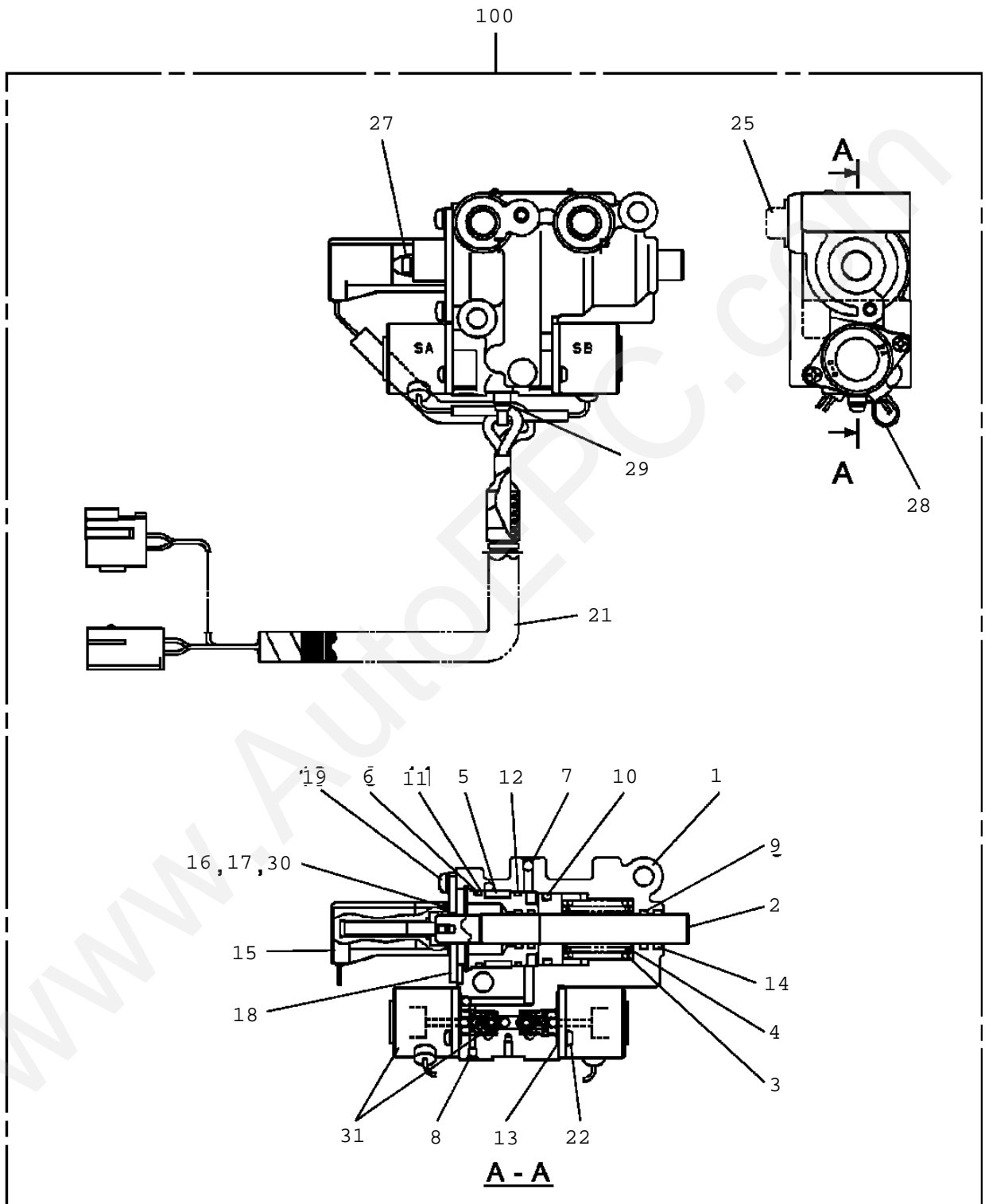
TM-ZR300 31014010170A FRAME/SL, MANUAL, HOOK-IN  
PV1050012-00 CYLINDER, ACCELERATOR



**TM-ZR300 31014010170A FRAME/SL,MANUAL,HOOK-IN**

Pos No.	Parts No	Parts Name	Qty	Unit	Technical Data	Serial
1	36062805010	BODY KIT (ACCEL.. POSITIONER)	1			
2	36647985160	COIL,SOLENOID	2			
3	36647645050	WASHER	2			
4	36647645060	NUT	2			
5	91001101100	O-RING	2		1A P11	
6	91001001200	O-RING	2		1A S12	
7	36647985170	COIL	1			
8	36642415300	SHIM (T=0.5)	2			
9	36642415310	SHIM (T=0.2)	2			
10	36062805020	BOLT,HEXAGON SOCKET (WITH WASHER)	2			
32	36642415320	PLATE	1			
33	36642415220	RING,BACKUP	1			
37	91001101001	O-RING	1		1A P10A	
38	91001101400	O-RING	2		1A P14	
39	91001102800	O-RING	1		1A P28	
40	91002803200	O-RING	1		1B P32	
41	91001000900	O-RING	3		S9	
42	91411001400	RING,BACKUP	1		P14	
43	91411002800	RING,BACKUP	2		P28	
57	36647285340	BALL,STEEL	2			
58	91000501700	O-RING	2			
60	36647285350	O-RING	2			
61	91001001800	O-RING	2		S18	
62	80560055000	BALL,STEEL	4		3/16	
100	36062800000	CYLINDER,ACCELERATOR	1			

TM-ZR300 31014010170A FRAME/SL, MANUAL, HOOK-IN  
PV1050013-01 CYLINDER, ACCELERATOR



**TM-ZR300 31014010170A FRAME/SL,MANUAL,HOOK-IN**

Pos No.	Parts No	Parts Name	Qty	Unit	Technical Data	Serial No (Sta
1	36062745010	BODY	1			
2	36062825010	ROD ASSY	1			
3	36062745030	SPRING (A)	1			
4	36062745040	SPRING (B)	1			
5	36062745050	COVER (SEAL)	1			
6	80602110380	RING,RITAINING	1		R38	
7	36648375020	BALL,STEEL	9		3/16	
8	36648375030	BALL,STEEL	5		5/32	
9	91001101400	O-RING	2		1A P14	
10	91001102800	O-RING	1		1A P28	
11	91001003200	O-RING	1		1A S32	
12	91001003150	O-RING	1		1A S31.5	
13	91001002200	O-RING	2		S22	
14	91650001400	SCRAPER	2			
15	36062445010	LVDT ASSY (A/WITH CORE,)	1			
	36062445011	LVDT ASSY (A/WITH CORE,)	1			ES6311
16	36644015220	SHIM (T=0.2)	2			
17	36644015230	SHIM (T=0.3)	2			
18	36062745060	FLANGE	1			
19	80172105008	SCREW,MACHINE	2		M5X8	
21	36062635050	TUBE,CORRUGATE	1		10	
22	80172104010	SCREW,MACHINE	5		M4X10	
25	36081315130	PROTECTOR (THREAD)	2			
27	36645405100	BOLT	2		M4X22	
28	36062635030	FASTENER	1			
29	90303070401	WASHER,PLAIN	1		4	
30	36645405110	SHIM (T=1.0)	1			
31	36062745080	VALVE,SOLENOID	1			
100	36062820000	CYLINDER,ACCELERATOR	1			

TM-ZR300 31014010170A FRAME/SL,MANUAL,HOOK-IN  
PV1070295-01 RADIO CONTROL (LED)

指示番号 KEY NO.	ラジオコントロール (キット:LEDシヨウ) RADIO CONTROL (KIT:LED)
1	コントロール ユニット CONTROL UNIT
2	アンテナ ANTENNA
4	ハイセンASSY ELEC.ASSY
5	ボックス,ストローイング BOX,STOWING
11	スイッチ ボックス SWITCH BOX
12	プレートASSY,ネーム PLATE ASSY,NAME

**TM-ZR300 31014010170A FRAME/SL,MANUAL,HOOK-IN**

Pos No.	Parts No	Parts Name	Qty	Unit	Technical Data	S
1	36804911000	CONTROL UNIT	1			
	36804911001	CONTROL UNIT	1			E
2	36804912000	ANTENNA (FOR RADIO CONTROL)	1			
4	(***** )	ELEC.ASSY (ANTENNA)	1			
5	36804914000	BOX,STOWING	1			
11	36804913000	SWITCH BOX (RADIO CONTROL,LED TYPE)	1			
12	(***** )	PLATE ASSY,NAME	1			

www.AutoEPC.com





**TM-ZR300 31014010170A FRAME/SL,MANUAL,HOOK-IN**

Pos No.	Parts No	Parts Name	Qty	Unit	Technical Data	Serial No
1	36805775010	CONTROL UNIT (RADIO CONTROL)	1			
2	36805775020	SWITCH BOX	1			
3	36804995010	STRAP	1			
100	36805770000	RADIO CONTROL (KYOKUTO:6CH)	1			

www.AutoEPC.com

TM-ZR300 31014010170A FRAME/SL,MANUAL,HOOK-IN  
PV1070398-00 RADIO CONTROL (KIT:MITSUMI)

指示番号 KEY NO.	ラジオコントロール (キット:ミツミセイ) RADIO CONTROL (KIT:MITSUMI)
1	スイッチボックス SWITCH BOX
2	アンテナ ANTENNA
3	コントロールユニット CONTROL UNIT

**TM-ZR300 31014010170A FRAME/SL,MANUAL,HOOK-IN**

Pos No.	Parts No	Parts Name	Qty	Unit	Technical Data
1	36801781000	SWITCH BOX (SELF WINCH RADIO CONTROL)	1		
2	36801782000	ANTENNA (FOR RADIO CONTROL)	1		
3	36801823000	CONTROL BOX (SELF WINCH RADIO CONTROL)	1		

www.AutoEPC.com

TM-ZR300 31014010170A FRAME/SL,MANUAL,HOOK-IN  
PV1070456-00 RADIO CONTROL (F,KIT/RCS-FC1)

指示番号 KEY NO.	ラジオコントロール (Fキット/RCS-FC1) RADIO CONTROL (F,KIT/RCS-FC1)
1	アンテナ ANTENNA
3	ハイセンASSY ELEC.ASSY
4	ボックス ストッキング BOX STOWING
11	スイッチ ボックス SWITCH BOX
12	プレートASSY,ネーム PLATE ASSY,NAME

**TM-ZR300 31014010170A FRAME/SL, MANUAL, HOOK-IN**

Pos No.	Parts No	Parts Name	Qty	Unit	Technical Data	S
1	36804912000	ANTENNA (FOR RADIO CONTROL)	1			
3	(*****)	ELEC.ASSY (ANTENNA)	1			
4	36804914000	BOX, STOWING	1			
11	36804913000	SWITCH BOX (RADIO CONTROL, LED TYPE)	1			
12	(*****)	PLATE ASSY, NAME	1			

www.AutoEPC.com

TM-ZR300 31014010170A FRAME/SL, MANUAL, HOOK-IN  
 PV1070458-00 RADIO CONTROL

指示番号 KEY NO.	ラジオコントロール (Fカクタ, トクシヨウカクタ) RADIO CONTROL
1	ラジオコントロール RADIO CONTROL
2	オペ. ASSY, ソウサバルブ OPE. ASSY, CONT. VALVE
3	ハイセンASSY ELEC. ASSY
4	パイピング, ロー (リモコンバルブ / フジコシ) PIPING, LOWER (REMOTE CONT. VALVE/NACHI)
5	パイピング, ロー (フィルタコウカン) PIPING, LOWER (REPLACE FILTER)
6	プレートASSY, ネーム PLATE ASSY, NAME

**TM-ZR300 31014010170A FRAME/SL,MANUAL,HOOK-IN**

Pos No.	Parts No	Parts Name	Qty	Unit	Technical Data
1	(*****)	RADIO CONTROL (LED)	1		
2	(*****)	OPE.ASSY,CONT.VALVE (RADIO CONTROL)	1		
3	(*****)	ELEC.ASSY	1		
4	(*****)	PIPING,LOWER (REMOTE CONT.VALVE/SANWA)	1		
	(*****)	PIPING,LOWER (REMOTE CONT.VALVE/NACHI)	1		
5	(*****)	PIPING,LOWER (REPLACE FILTER)	1		
6	(*****)	PLATE ASSY,NAME (HOOK-IN/HOOK STOWING)	1		

www.AutoEPC.com



TM-ZR300 31014010170A FRAME/SL, MANUAL, HOOK-IN  
PV1090040-00 PARTS, AWL(2-4SECT./RADICON OR M, HOOK-IN)

指示番号 KEY NO.	パーツ, AWL (2-4セクション/ラジコンORマニュアルフックイン: ニンイ) PARTS, AWL (2-4 SECT./RADICON OR M, HOOK-IN)
1	ハイセンASSY (アツハ-) ELEC. ASSY (UPPER)
2	マウント MOUNT
3	プレートASSY, ネーム (アツハ-) PLATE ASSY, NAME (UPPER)
4	ディテクタ, ブーム レンクス DETECTOR, BOOM LENGTH
6	モーメント リミッタ MOMENT LIMITER
8	ハイセンASSY (ヨビ デンゲンヨウハーネス) ELEC. ASSY (HARNESS FOR STANDBY POWER)

**TM-ZR300 31014010170A FRAME/SL,MANUAL,HOOK-IN**

Pos No.	Parts No	Parts Name	Qty	Unit	Technical Data
1	(***** )	ELEC.ASSY (UPPER)	1		
2	(***** )	MOUNT (BOOM)	1		
3	(***** )	PLATE ASSY,NAME (UPPER)	1		
4	(***** )	DETECTOR,BOOM LENGTH (MOUNT)	1		
6	36192680000	MOMENT LIMITER (BML)	1		
	36194660000	MOMENT LIMITER (BML)	1		
8	(***** )	ELEC.ASSY (HARNESS FOR STANDBY POWER)	1		

www.AutoEPC.com

TM-ZR300 31014010170A FRAME/SL, MANUAL, HOOK-IN  
PV1090041-00 PARTS, AWL(5,6 SECT./RADICON OR M, HOOK-IN)

指示番号 KEY NO.	パーツ, AWL (5,6セクタ/ラジコンORマニュアルフックイン: ニンイ) PARTS, AWL (5,6 SECT./RADICON OR M, HOOK-IN)
1	ハイセンASSY (アツハ-) ELEC. ASSY (UPPER)
2	マウント MOUNT
3	プレートASSY, ネーム (アツハ-) PLATE ASSY, NAME (UPPER)
4	ディテクタ, ブーム レンクス DETECTOR, BOOM LENGTH
6	モーメント リミッタ MOMENT LIMITER
8	ハイセンASSY (ヨビ デンケ ヌウハーネス) ELEC. ASSY (HARNESS FOR STANDBY POWER)

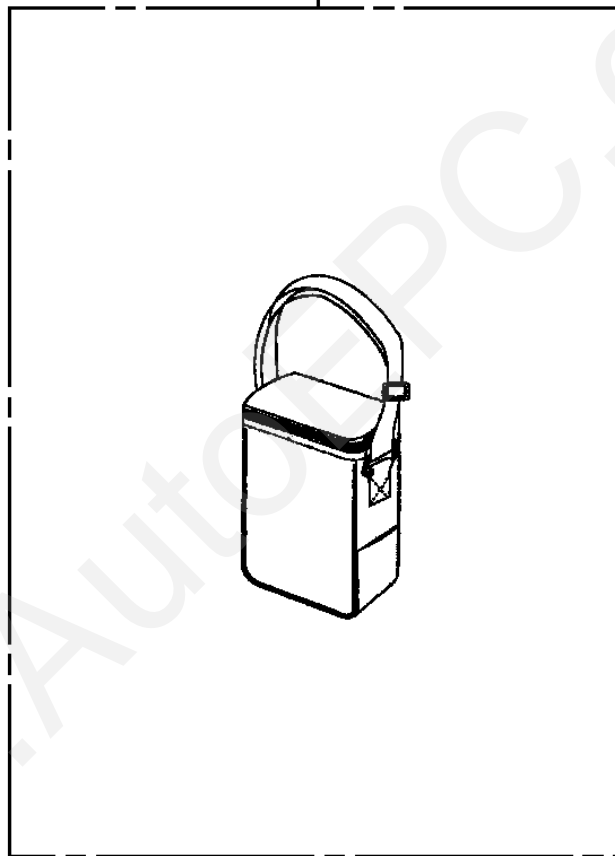
**TM-ZR300 31014010170A FRAME/SL,MANUAL,HOOK-IN**

Pos No.	Parts No	Parts Name	Qty	Unit	Technical Data
1	(***** *****)	ELEC.ASSY (UPPER)	1		
2	(***** *****)	MOUNT (BOOM)	1		
3	(***** *****)	PLATE ASSY,NAME (UPPER)	1		
4	(***** *****)	DETECTOR,BOOM LENGTH (MOUNT)	1		
6	36192680000	MOMENT LIMITER (BML)	1		
	36194660000	MOMENT LIMITER (BML)	1		
8	(***** *****)	ELEC.ASSY (HARNESS FOR STANDBY POWER)	1		

www.AutoEPC.com

TM-ZR300 31014010170A FRAME/SL, MANUAL, HOOK-IN  
PV1250013-00 BOX, STOWING

10

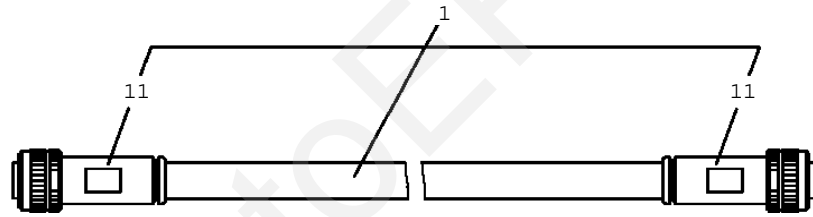


**TM-ZR300 31014010170A FRAME/SL,MANUAL,HOOK-IN**

Pos No.	Parts No	Parts Name	Qty	Unit	Technical Data	Serial No (Start)	Serial N
10	36804914000	BOX,STOWING	1				

www.AutoEPC.com

TM-ZR300 31014010170A FRAME/SL, MANUAL, HOOK-IN  
PV1300011-01 CABLE (ANTENNA 2M)



www.AutoLEPC.com

**TM-ZR300 31014010170A FRAME/SL, MANUAL, HOOK-IN**

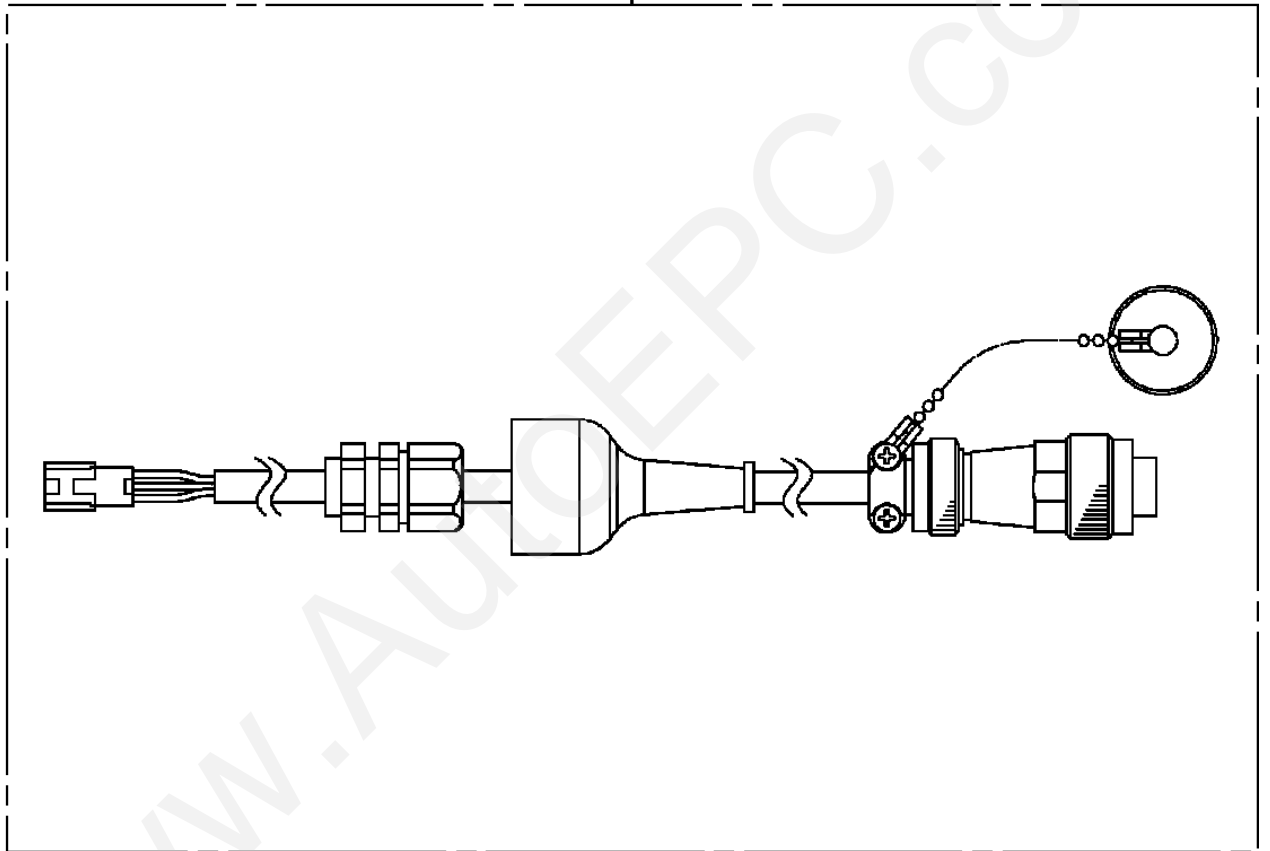
Pos No.	Parts No	Parts Name	Qty	Unit	Technical Data	Serial No (Start)	Serial No
1	31653110200	CABLE ASSY	1		L=2000		
11	82100002385	CONNECTOR	2				

www.AutoEPC.com



TM-ZR300 31014010170A FRAME/SL, MANUAL, HOOK-IN  
PV1300018-00 CABLE (F-REMOTE CONTROL, 20M)

10

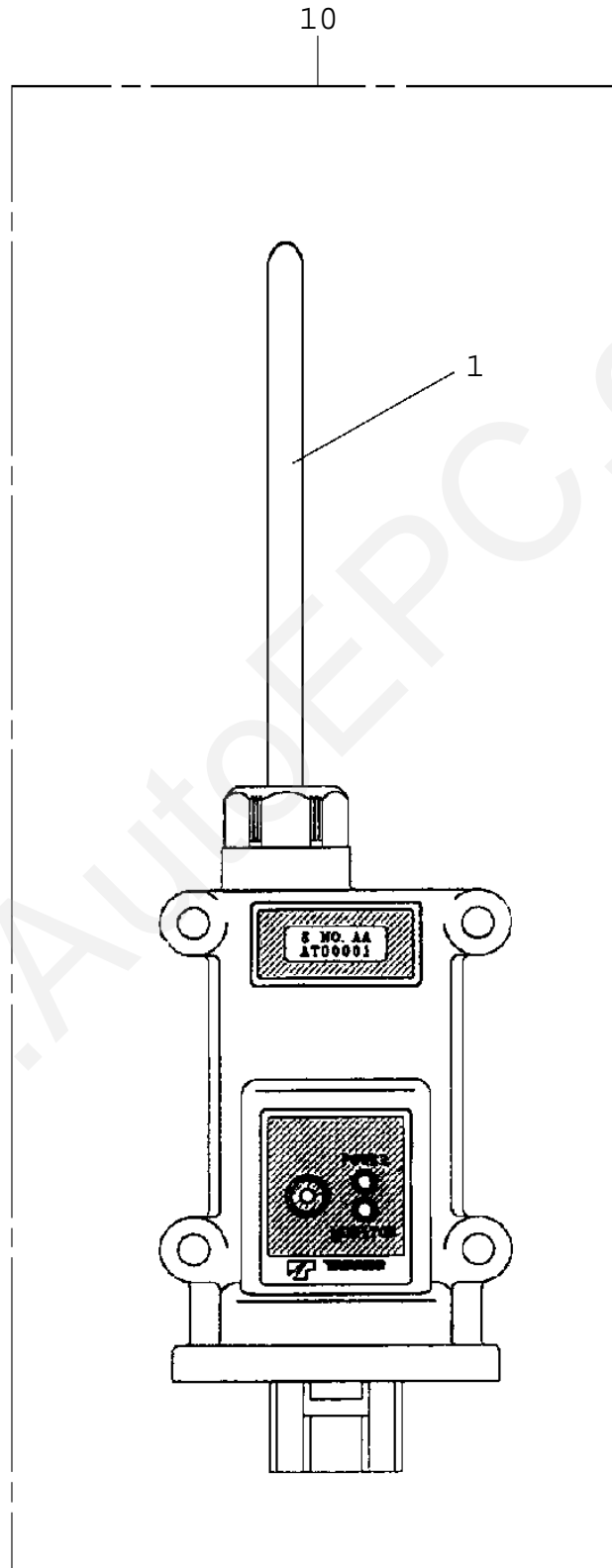


**TM-ZR300 31014010170A FRAME/SL,MANUAL,HOOK-IN**

Pos No.	Parts No	Parts Name	Qty	Unit	Technical Data	Serial No
10	36805780000	CABLE (F-REMOTE CONTROL,20M)	1			

www.AutoEPC.com

TM-ZR300 31014010170A FRAME/SL, MANUAL, HOOK-IN  
PV1400021-01 ANTENNA (FOR RADIO CONTROL)



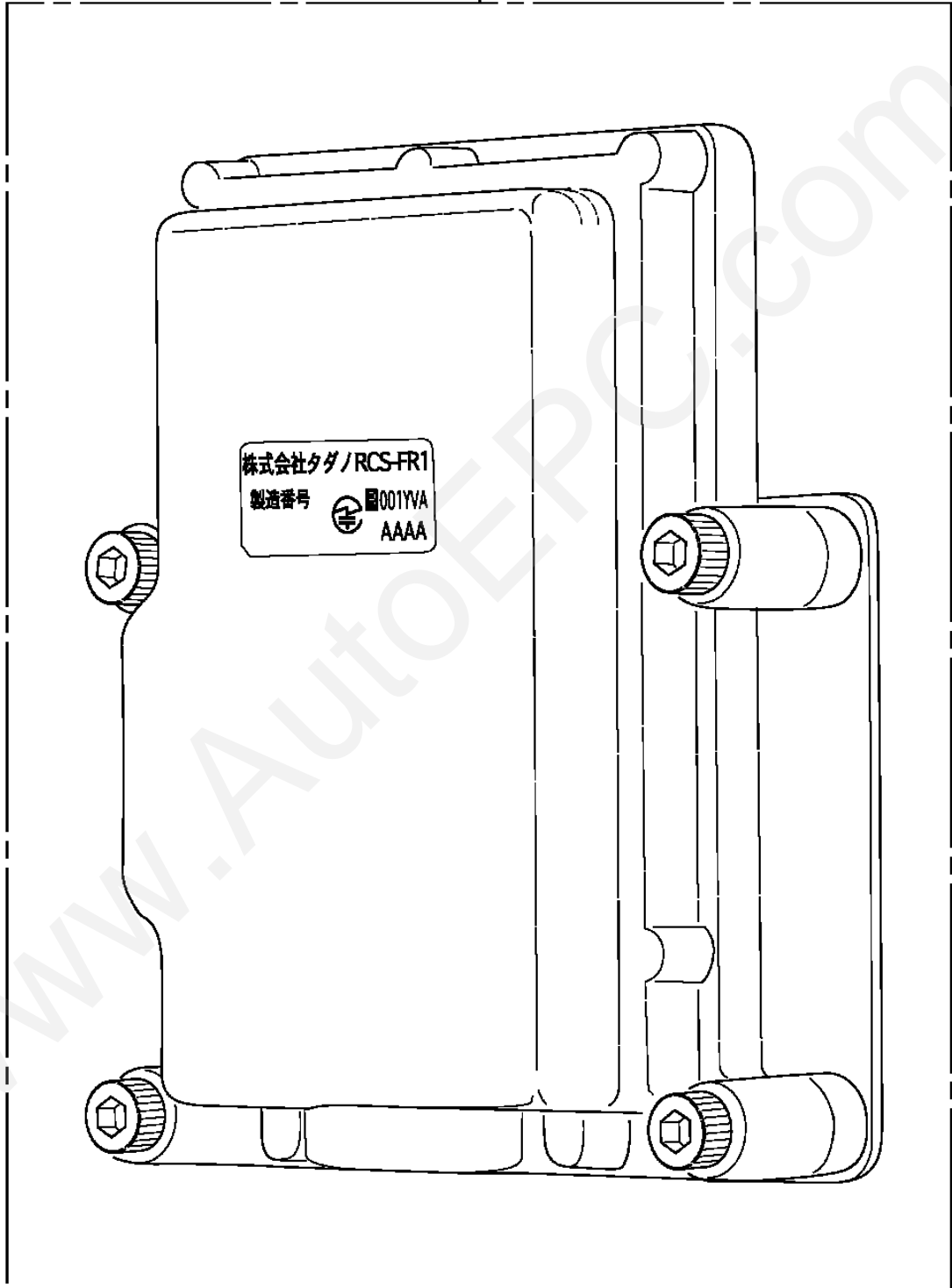
**TM-ZR300 31014010170A FRAME/SL,MANUAL,HOOK-IN**

Pos No.	Parts No	Parts Name	Qty	Unit	Technical Data	Serial No (
1	36801785030	ELEMENT	1			
10	36801782000	ANTENNA (FOR RADIO CONTROL)	1			

www.AutoEPC.com

TM-ZR300 31014010170A FRAME/SL, MANUAL, HOOK-IN  
PV1400042-00 ANTENNA (FOR RADIO CONTROL)

10



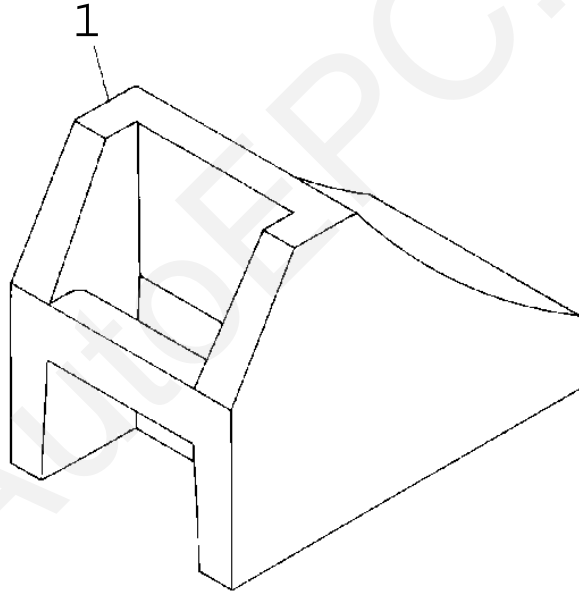
**TM-ZR300 31014010170A FRAME/SL,MANUAL,HOOK-IN**

Pos No.	Parts No	Parts Name	Qty	Unit	Technical Data	Serial No (
10	36804912000	ANTENNA (FOR RADIO CONTROL)	1			

www.AutoEPC.com

TM-ZR300 31014010170A FRAME/SL, MANUAL, HOOK-IN  
PW1050005-00 STOPPER, TIRE

---



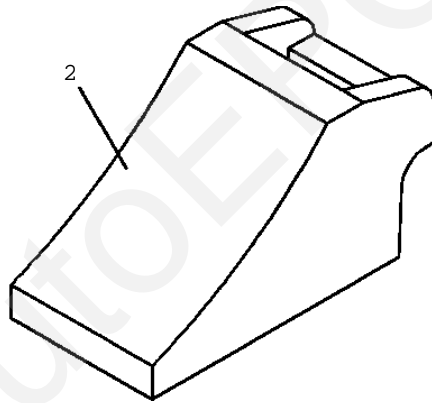
**TM-ZR300 31014010170A FRAME/SL,MANUAL,HOOK-IN**

Pos No.	Parts No	Parts Name	Qty	Unit	Technical Data	Serial No (Start)	Serial :
1	50853020000	STOPPER,TIRE	1				

www.AutoEPC.com



TM-ZR300 31014010170A FRAME/SL, MANUAL, HOOK-IN  
PW1050011-00 STOPPER, TIRE



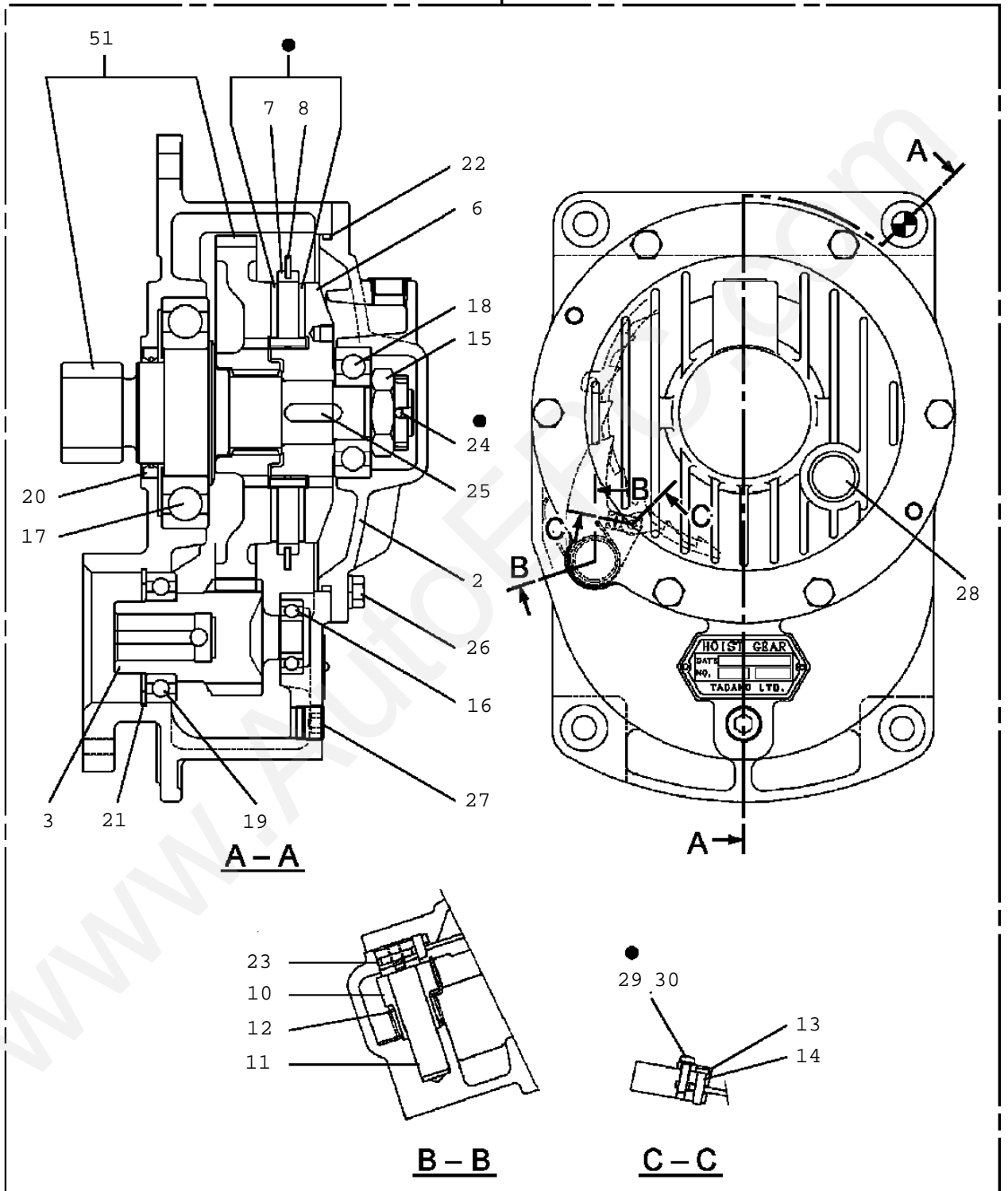
www.AUTOEPC.com

**TM-ZR300 31014010170A FRAME/SL,MANUAL,HOOK-IN**

Pos No.	Parts No	Parts Name	Qty	Unit	Technical Data	Serial No (Start)	Serial :
2	42461050200	STOPPER,TIRE	1				

www.AutoEPC.com

100



- : FACING KIT KEY NO 101 ( JAPANESE )
- : FACING KIT KEY NO.102 ( ENGLISH )



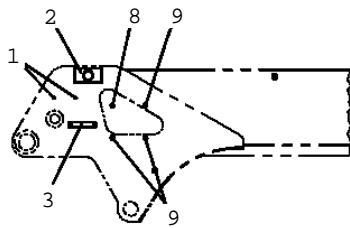
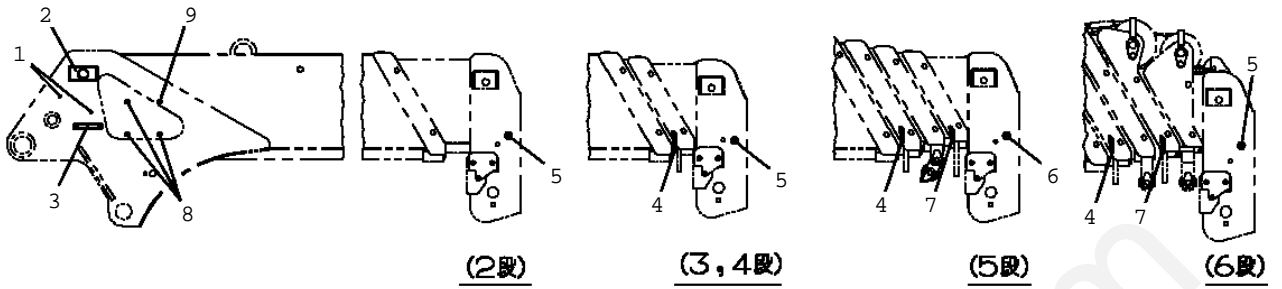
● Protective seal

● Replacement interval name plate

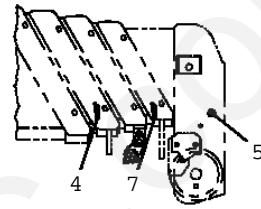
**TM-ZR300 31014010170A FRAME/SL, MANUAL, HOOK-IN**

Pos No.	Parts No	Parts Name	Qty	Unit	Technical Data	Serial No (Start)
2	36073085020	COVER	1			
3	36073815010	GEAR, SPUR	1			
6	36073085061	BRAKE, DISK	1			
7	36073085072	WHEEL, RATCHET	1			
8	36073085080	RING (C)	1			
10	36073085090	RATCHET	1			
11	36073085100	SHAFT	1			
12	36073085111	SPRING	1			
13	36073085120	CAP	1			
14	36073085130	PIN	1			
15	36073085140	NUT	1			
16	80500006202	BEARING, BALL	1			
17	80500006212	BEARING, BALL	1			
	80500006211	BEARING, BALL	1			KA8799
18	80500006305	BEARING, BALL	1			
19	80500006007	BEARING, BALL	1			
20	36073085150	SEAL, OIL	1			
21	80602110620	RING, RITAINING	1		R62	
22	36071195200	O-RING	1			
23	91001101500	O-RING	1		1A P15	
24	80136340040	PIN, SPLIT	1		4X40	
25	36073085160	KEY	2			
26	36073085180	BOLT (WITH SW)	6			
27	36073085200	PLUG	1			
28	36073085170	GAUGE, OIL	1			
29	80172304015	SCREW, MACHINE	1		M4X15	
30	90302040401	WASHER, SPRING	1		4	
51	36073085602	GEAR ASSY	1			
	36073085603	GEAR ASSY	1			KA8799
100	36073810000	WINCH ASSY (Y.G.TEC)	1			
101	36070441000	FACING KIT (JAPANESE)	1			
102	36070442000	FACING KIT (ENGLISH)	1			

TM-ZR300 31014010170A FRAME/SL, MANUAL, HOOK-IN  
PX1940184-01 MOUNT (BOOM)

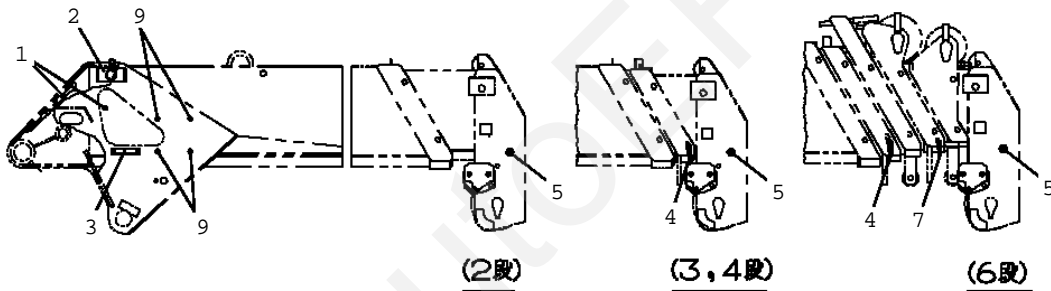


ZR230, 230W, 263Jの場合

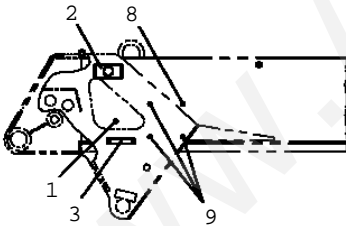


ZR505, 555の場合

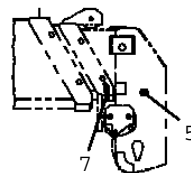
ZRの場合



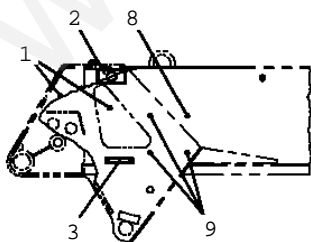
ZF300, 360, 500 (2~6段) の場合



ZF230, 260, 290, 300J (2~4段), 263Jの場合



ZF263, 293, 303Jの場合



ZF260, 290, 300J (5, 6段) の場合

ZFの場合

**TM-ZR300 31014010170A FRAME/SL, MANUAL, HOOK-IN**

Pos No.	Parts No	Parts Name	Qty	Unit	Technical Data	Serial No (Start)	Serial No
1	90190000008	BOLT,STUD	2		M6X20		
2	31360202500	SUPPORT	2				
3	31360742500	SUPPORT	1				
4	31360192900	SUPPORT	1		L=55		
5	37001601290	NUT	1		M12		
6	31360742700	NUT	1		M12		
7	31360003020	SUPPORT	1		L=63		
8	37001601010	NUT	3				
9	90288106030	NUT	3		M6X30		

www.AutoEPC.com

TM-ZR300 31014010170A FRAME/SL,MANUAL,HOOK-IN  
PY1000468-00 OPTIONS (HYDRAULIC-RELATED,SL)

トクベツ ショウ  
OPTIONS

( 油圧関係  
HYDRAULIC-RELATED )

【組立名称一覧】より選択してください。

SEE THE CORRESPONDING "ASSEMBLY NAME" LIST.

**TM-ZR300 31014010170A FRAME/SL,MANUAL,HOOK-IN**

Pos No.	Parts No	Parts Name	Qty	Unit	T
1	(***** *****)	HOOK (SELF, 3TONX2-PART LINE)	1		
	(***** *****)	HOOK (1-PART LINE)	1		
2	(***** *****)	GUIDE,ROPE (RETAINING WIRE ROPE)	1		
3	(***** *****)	DETECTOR,DISORDERLY WIND (DRUM FREE)	1		
4	(***** *****)	PLATE (500X500,H=90)	1		
	(***** *****)	PLATE (355X355,H=80)	1		
5	(***** *****)	POWER SUPPLY (SERVICE PORT)	1		
6	(***** *****)	OUTRIGGER,REAR (ROTARY+SP+4TX1,MANUAL)	1		
	(***** *****)	OUTRIGGER,REAR (ROTARY+4TX1,MANUAL)	1		
	(***** *****)	OUTRIGGER,REAR (ROTARY+3TX1,MANUAL)	1		
	(***** *****)	OUTRIGGER,REAR (ROTARY)	1		
	(***** *****)	OUTRIGGER,REAR (ROTARY+SP+3TX1,MANUAL)	1		
7	(***** *****)	OUTRIGGER,REAR (ROTARY/POWER PACKAGE:WITH LOCK ASSY)	1		
	(***** *****)	OUTRIGGER,REAR (ROTARY,POWER PACKAGE)	1		
8	(***** *****)	WINCH (SELF,3TONX1, F-RADIO CONTROL)	1		
	(***** *****)	WINCH (SELF,4TONX1, RADIO CONTROL)	1		
	(***** *****)	WINCH (SELF,SP+4TON X1,MANUAL)	1		
	(***** *****)	WINCH (SELF,SP+3TON X1,MANUAL)	1		
	(***** *****)	WINCH (SELF,3TONX1, RADIO CONTROL)	1		
	(***** *****)	WINCH (SELF,4TONX1, MANUAL)	1		
	(***** *****)	WINCH (SELF,3TONX1, MANUAL)	1		
	(***** *****)	WINCH (SELF,4TONX1, F-RADIO CONTROL)	1		
9	(***** *****)	WINCH (DRUM FREE)	1		
10	50853020000	STOPPER,TIRE	4		
	42461050200	STOPPER,TIRE	4		

www.AutoEPC.com



TM-ZR300 31014010170A FRAME/SL, MANUAL, HOOK-IN  
PY1000470-00 OPTIONS (ELECTRICAL-RELATED, SL)

トクベツ ショウ  
OPTIONS

( 電気関係  
ELECTRICAL-RELATED )

【組立名称一覧】より選択してください。

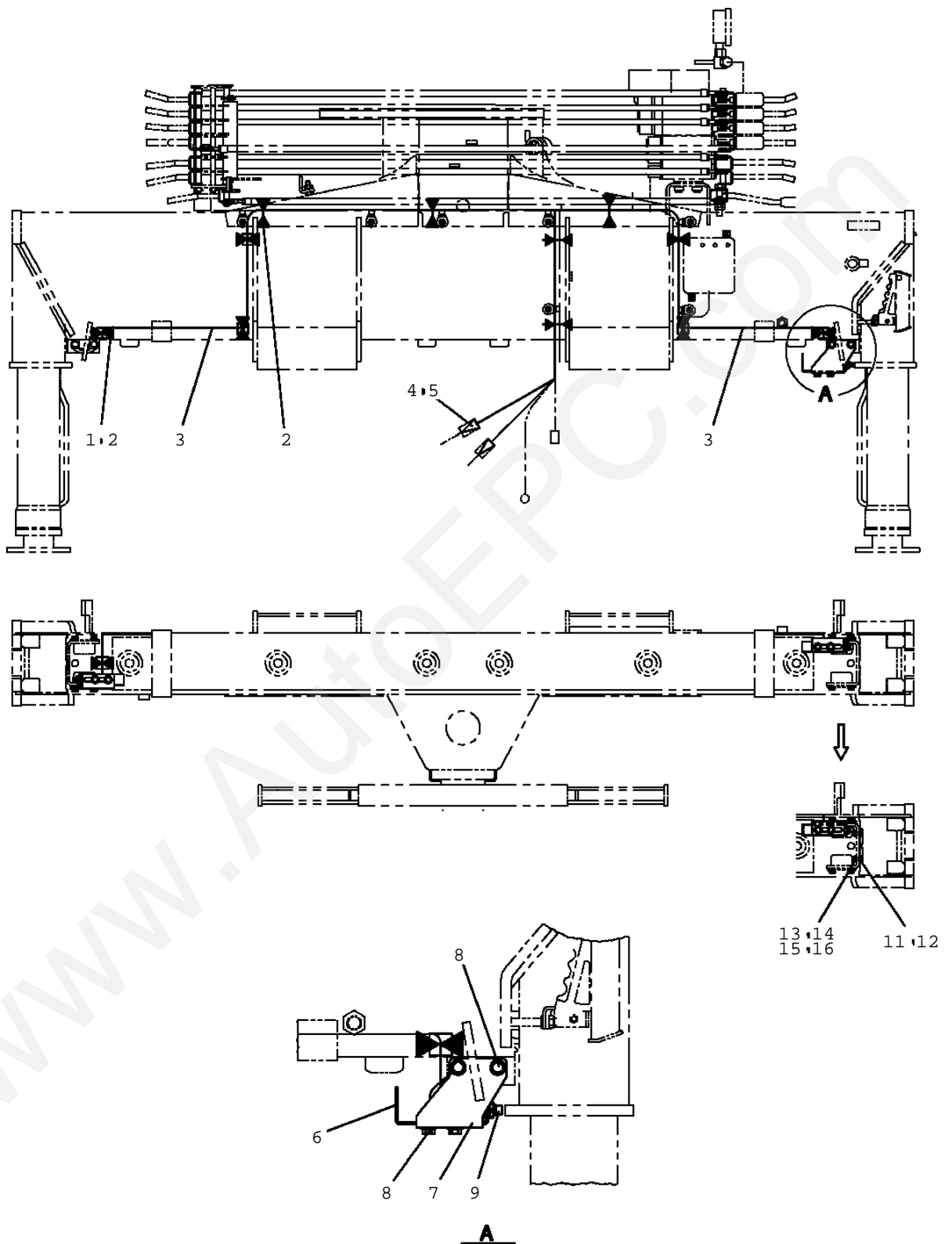
SEE THE CORRESPONDING "ASSEMBLY NAME" LIST.

**TM-ZR300 31014010170A FRAME/SL, MANUAL, HOOK-IN**

Pos No.	Parts No	Parts Name	Qty	Unit	Technical Da
1	(***** )	REMOTE CONTROL (F,KIT/RCS-FC1)	1		
2	(***** )	RADIO CONTROL (F,KIT/RCS-FC1)	1		
	(***** )	RADIO CONTROL	1		
3	(***** )	PARTS,AWL(5,6SECT./RADICON OR M,HOOK-IN)	1		
	(***** )	PARTS,AWL(2-4SECT./RADICON OR M,HOOK-IN)	1		
4	(***** )	CABLE (ANTENNA 2M)	1		
	36805780000	CABLE (F-REMOTE CONTROL,20M)	1		
6	(***** )	LAMP (MOUNT,POST/24V-60W)	1		
	(***** )	LAMP (MOUNT,BOOM/24V-45W)	1		
7	(***** )	ALARM SYSTEM	1		
	(***** )	ALARM SYSTEM	1		
10	(***** )	JOINT,ROTARY (RING ASSY,SLIP)	1		
11	(***** )	PLATE ASSY,NAME (FOR FIXING AWL)	1		
12	(***** )	ELEC.ASSY (AWL LAMP)	1		

www.AutoEPC.com

TM-ZR300 31014010170A FRAME/SL, MANUAL, HOOK-IN  
PY1560010-01 ALARM SYSTEM ((OUTRIGGER HARNESS))

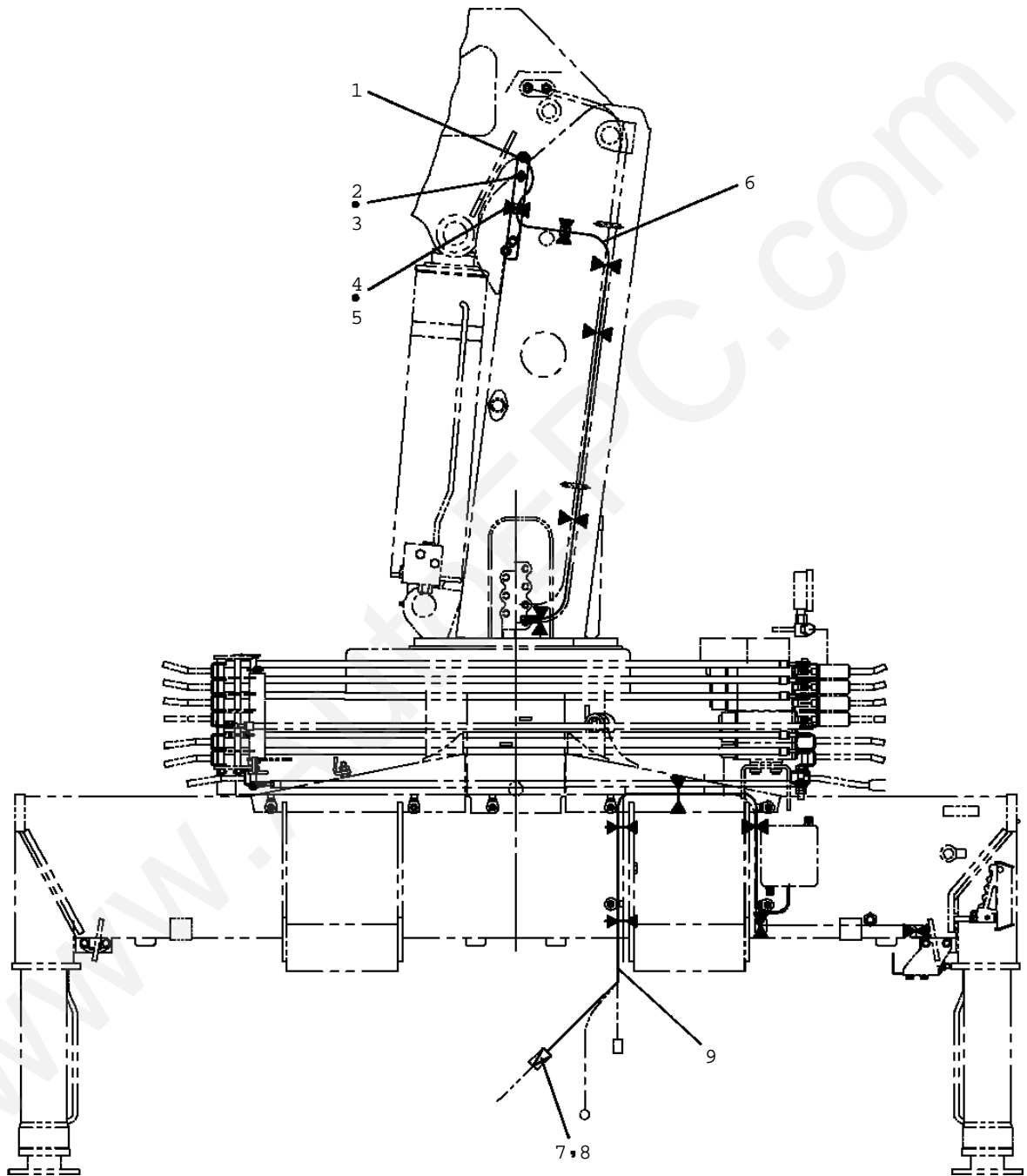


**TM-ZR300 31014010170A FRAME/SL,MANUAL,HOOK-IN**

Pos No.	Parts No	Parts Name	Qty	Unit	Technical Data	Serial No (Start)	Serial
1	91850310305	CLAMP	8				
2	91810130240	FASTENER	14				
3	31476361100	HARNESS (RED)	2		L=2000		
4	82100000192	TERMINAL	2				
5	82100000182	INSULATOR	2				
6	31477331600	SUPPORT	2				
7	31477331700	SUPPORT	2				
8	90186208014	BOLT,FLANGE	8		M8X14		
9	82108501240	SWITCH	2				
11	31477331400	PLATE	2				
12	31477331500	PLATE	8				
13	90203200600	NUT	4		M6		
14	90302040601	WASHER, SPRING	4		6		
15	80185306020	SCREW, MACHINE	4				
16	80185306025	SCREW, MACHINE	4				

www.AutoEPC.com

TM-ZR300 31014010170A FRAME/SL, MANUAL, HOOK-IN  
PY1560011-00 ALARM SYSTEM (BOOM HARNESS)



**TM-ZR300 31014010170A FRAME/SL, MANUAL, HOOK-IN**

Pos No.	Parts No	Parts Name	Qty	Unit	Technical Data	Serial No (Start)	Seri
1	82108501070	SWITCH	1				
2	31477332101	SUPPORT	1				
3	90186208014	BOLT, FLANGE	2		M8X14		
4	91850310305	CLAMP	2				
5	91810130240	FASTENER	11				
6	31652160100	HARNESS	1		L=1400		
7	82100000192	TERMINAL	1				
8	82100000182	INSULATOR	1				
9	31476361200	HARNESS (WHITE)	1		L=2000		

www.AutoEPC.com

TM-ZR300 31014010170A FRAME/SL,MANUAL,HOOK-IN  
PY1560039-01 ALARM SYSTEM

指示番号 KEY NO.	アラーム システム (キック、アウトリカ、カクノウスレ) ALARM SYSTEM
1	ハイセンASSY (アウトリカ、フ) ELEC.ASSY (OUTRIGGER)
2	ハイセンASSY (フ、ームフ) ELEC.ASSY (BOOM)
3	ハイセンASSY (カソウシヤリヨウフ) ELEC.ASSY
5	プレートASSY、ネーム PLATE ASSY,NAME

**TM-ZR300 31014010170A FRAME/SL,MANUAL,HOOK-IN**

Pos No.	Parts No	Parts Name	Qty	Unit	Technical Data	Ser
1	(***** )	ALARM SYSTEM ((OUTRIGGER HARNESS)	1			
2	(***** )	ALARM SYSTEM (BOOM HARNESS)	1			
3	(***** )	ELEC.ASSY (CARRIER)	1			
5	(***** )	PLATE ASSY,NAME	1			

www.AutoEPC.com



TM-ZR300 31014010170A FRAME/SL, MANUAL, HOOK-IN  
PY1560040-01 ALARM SYSTEM

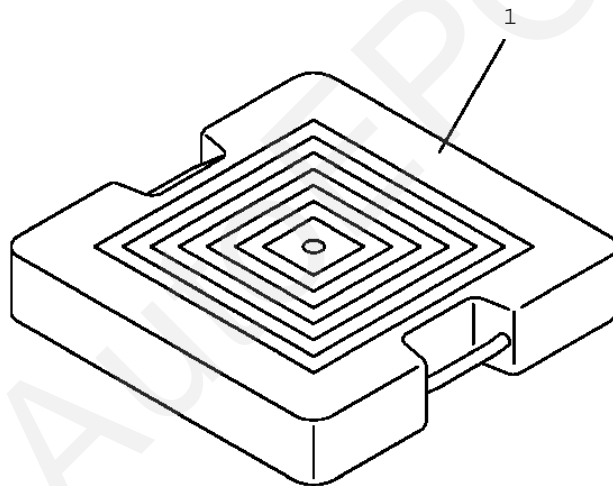
指示番号 KEY NO.	アラーム システム (キフクカクノウスレ) ALARM SYSTEM
1	ハイセンASSY (ブームフ) ELEC. ASSY (BOOM)
2	ハイセンASSY (シャリヨウフ) ELEC. ASSY (CARRIER)
4	プレートASSY, ネーム PLATE ASSY, NAME

**TM-ZR300 31014010170A FRAME/SL,MANUAL,HOOK-IN**

Pos No.	Parts No	Parts Name	Qty	Unit	Technica
1	(*****)	ALARM SYSTEM (BOOM HARNESS)	1		
2	(*****)	ELEC.ASSY (CARRIER)	1		
4	(*****)	PLATE ASSY,NAME (BOOM,ELEV. STOWING FAILURE)	1		

www.AutoEPC.com

TM-ZR300 31014010170A FRAME/SL, MANUAL, HOOK-IN  
PY2340010-00 PLATE (500X500, H=90)



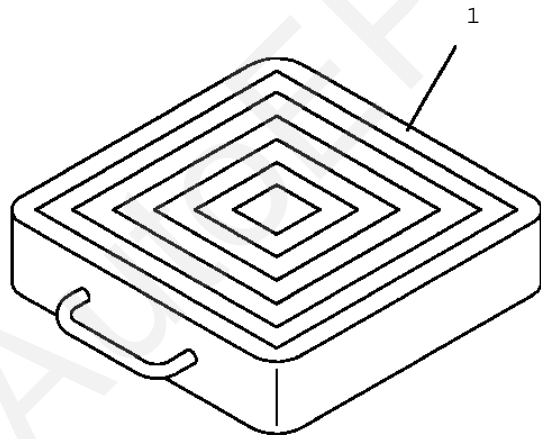
WWW.AUTOPC.COM

**TM-ZR300 31014010170A FRAME/SL,MANUAL,HOOK-IN**

Pos No.	Parts No	Parts Name	Qty	Unit	Technical Data	Serial No (Start)	Serial No
1	33731351000	BLOCK	1		500X500,H=90		

www.AutoEPC.com

TM-ZR300 31014010170A FRAME/SL, MANUAL, HOOK-IN  
PY2340011-00 PLATE (355X355, H=80)



**TM-ZR300 31014010170A FRAME/SL,MANUAL,HOOK-IN**

Pos No.	Parts No	Parts Name	Qty	Unit	Technical Data	Serial No (Start)	Serial No
1	42474201000	BLOCK	1		355X355,H=80		

www.AutoEPC.com